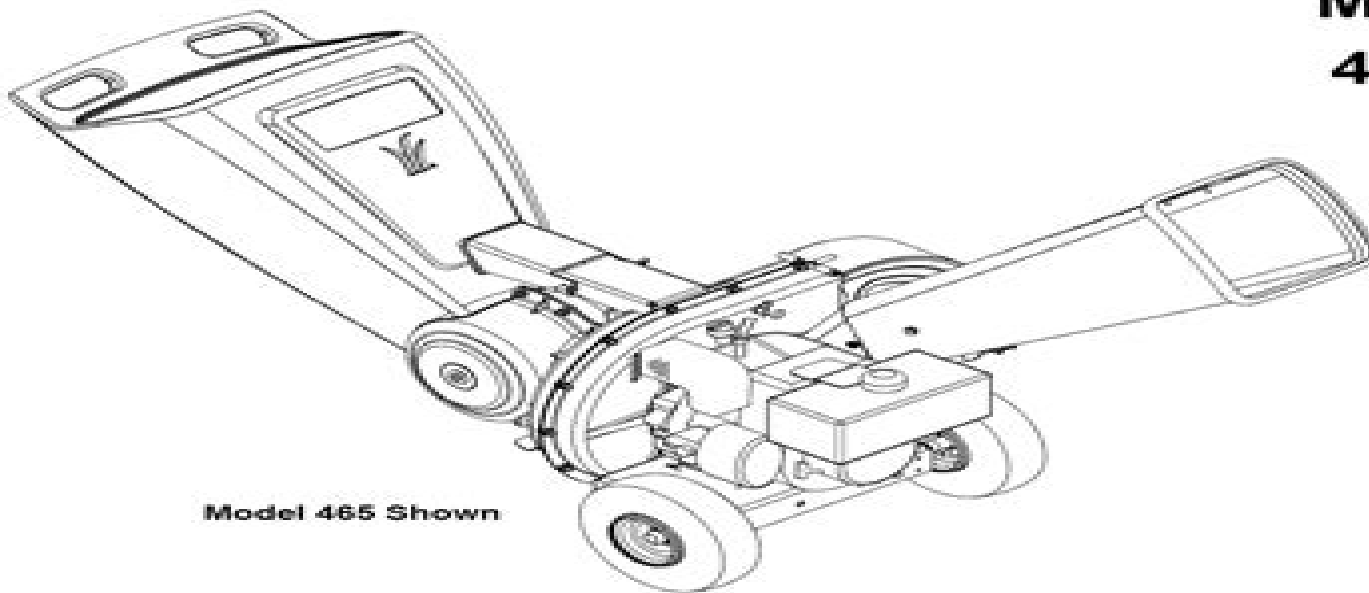


# OPERATOR'S MANUAL

## Chipper Shredder Model Series 462 thru 465



Model 465 Shown

### **IMPORTANT: READ SAFETY RULES AND INSTRUCTIONS CAREFULLY**

**Warning:** This unit is equipped with an internal combustion engine and should not be used on or near any unimproved forest-covered, brush-covered or grass-covered land unless the engine's exhaust system is equipped with a spark arrester meeting applicable local or state laws (if any). If a spark arrester is used, it should be maintained in effective working order by the operator. In the State of California the above is required by law (Section 4442 of the California Public Resources Code). Other states may have similar laws. Federal laws apply on federal lands. A spark arrester for the muffler is available through your nearest engine authorized service dealer or contact the service department, P.O. Box 361131 Cleveland, Ohio 44136-0019.

**MTD LLC, P.O. BOX 361131 CLEVELAND, OHIO 44136-0019**

PRINTED IN U.S.A.

FORM NO. 770-10048F

5/2003

# Huskee Chipper Shredder Manual

**M Planty**



## **Huskee Chipper Shredder Manual:**

Yeah, reviewing a books **Huskee Chipper Shredder Manual** could mount up your close connections listings. This is just one of the solutions for you to be successful. As understood, success does not recommend that you have fabulous points.

Comprehending as well as arrangement even more than other will pay for each success. next to, the declaration as without difficulty as keenness of this Huskee Chipper Shredder Manual can be taken as competently as picked to act.

[https://staging.conocer.cide.edu/About/Resources/Download\\_PDFS/fitzgerald%201989%20report%20queensland%20police.pdf](https://staging.conocer.cide.edu/About/Resources/Download_PDFS/fitzgerald%201989%20report%20queensland%20police.pdf)

## **Table of Contents Huskee Chipper Shredder Manual**

1. Understanding the eBook Huskee Chipper Shredder Manual
  - The Rise of Digital Reading Huskee Chipper Shredder Manual
  - Advantages of eBooks Over Traditional Books
2. Identifying Huskee Chipper Shredder Manual
  - Exploring Different Genres
  - Considering Fiction vs. Non-Fiction
  - Determining Your Reading Goals
3. Choosing the Right eBook Platform
  - Popular eBook Platforms
  - Features to Look for in an Huskee Chipper Shredder Manual
  - User-Friendly Interface
4. Exploring eBook Recommendations from Huskee Chipper Shredder Manual
  - Personalized Recommendations
  - Huskee Chipper Shredder Manual User Reviews and Ratings
  - Huskee Chipper Shredder Manual and Bestseller Lists
5. Accessing Huskee Chipper Shredder Manual Free and Paid eBooks
  - Huskee Chipper Shredder Manual Public Domain eBooks

- Huskee Chipper Shredder Manual eBook Subscription Services
- Huskee Chipper Shredder Manual Budget-Friendly Options
- 6. Navigating Huskee Chipper Shredder Manual eBook Formats
  - ePub, PDF, MOBI, and More
  - Huskee Chipper Shredder Manual Compatibility with Devices
  - Huskee Chipper Shredder Manual Enhanced eBook Features
- 7. Enhancing Your Reading Experience
  - Adjustable Fonts and Text Sizes of Huskee Chipper Shredder Manual
  - Highlighting and Note-Taking Huskee Chipper Shredder Manual
  - Interactive Elements Huskee Chipper Shredder Manual
- 8. Staying Engaged with Huskee Chipper Shredder Manual
  - Joining Online Reading Communities
  - Participating in Virtual Book Clubs
  - Following Authors and Publishers Huskee Chipper Shredder Manual
- 9. Balancing eBooks and Physical Books Huskee Chipper Shredder Manual
  - Benefits of a Digital Library
  - Creating a Diverse Reading Collection Huskee Chipper Shredder Manual
- 10. Overcoming Reading Challenges
  - Dealing with Digital Eye Strain
  - Minimizing Distractions
  - Managing Screen Time
- 11. Cultivating a Reading Routine Huskee Chipper Shredder Manual
  - Setting Reading Goals Huskee Chipper Shredder Manual
  - Carving Out Dedicated Reading Time
- 12. Sourcing Reliable Information of Huskee Chipper Shredder Manual
  - Fact-Checking eBook Content of Huskee Chipper Shredder Manual
  - Distinguishing Credible Sources
- 13. Promoting Lifelong Learning
  - Utilizing eBooks for Skill Development
  - Exploring Educational eBooks

## 14. Embracing eBook Trends

- Integration of Multimedia Elements
- Interactive and Gamified eBooks

### **Huskee Chipper Shredder Manual Introduction**

Free PDF Books and Manuals for Download: Unlocking Knowledge at Your Fingertips In today's fast-paced digital age, obtaining valuable knowledge has become easier than ever. Thanks to the internet, a vast array of books and manuals are now available for free download in PDF format. Whether you are a student, professional, or simply an avid reader, this treasure trove of downloadable resources offers a wealth of information, conveniently accessible anytime, anywhere. The advent of online libraries and platforms dedicated to sharing knowledge has revolutionized the way we consume information. No longer confined to physical libraries or bookstores, readers can now access an extensive collection of digital books and manuals with just a few clicks. These resources, available in PDF, Microsoft Word, and PowerPoint formats, cater to a wide range of interests, including literature, technology, science, history, and much more. One notable platform where you can explore and download free Huskee Chipper Shredder Manual PDF books and manuals is the internet's largest free library. Hosted online, this catalog compiles a vast assortment of documents, making it a veritable goldmine of knowledge. With its easy-to-use website interface and customizable PDF generator, this platform offers a user-friendly experience, allowing individuals to effortlessly navigate and access the information they seek. The availability of free PDF books and manuals on this platform demonstrates its commitment to democratizing education and empowering individuals with the tools needed to succeed in their chosen fields. It allows anyone, regardless of their background or financial limitations, to expand their horizons and gain insights from experts in various disciplines. One of the most significant advantages of downloading PDF books and manuals lies in their portability. Unlike physical copies, digital books can be stored and carried on a single device, such as a tablet or smartphone, saving valuable space and weight. This convenience makes it possible for readers to have their entire library at their fingertips, whether they are commuting, traveling, or simply enjoying a lazy afternoon at home. Additionally, digital files are easily searchable, enabling readers to locate specific information within seconds. With a few keystrokes, users can search for keywords, topics, or phrases, making research and finding relevant information a breeze. This efficiency saves time and effort, streamlining the learning process and allowing individuals to focus on extracting the information they need. Furthermore, the availability of free PDF books and manuals fosters a culture of continuous learning. By removing financial barriers, more people can access educational resources and pursue lifelong learning, contributing to personal growth and professional development. This democratization of knowledge promotes intellectual curiosity and empowers individuals to become lifelong learners, promoting progress and innovation in various fields. It is worth noting that

while accessing free Huskee Chipper Shredder Manual PDF books and manuals is convenient and cost-effective, it is vital to respect copyright laws and intellectual property rights. Platforms offering free downloads often operate within legal boundaries, ensuring that the materials they provide are either in the public domain or authorized for distribution. By adhering to copyright laws, users can enjoy the benefits of free access to knowledge while supporting the authors and publishers who make these resources available. In conclusion, the availability of Huskee Chipper Shredder Manual free PDF books and manuals for download has revolutionized the way we access and consume knowledge. With just a few clicks, individuals can explore a vast collection of resources across different disciplines, all free of charge. This accessibility empowers individuals to become lifelong learners, contributing to personal growth, professional development, and the advancement of society as a whole. So why not unlock a world of knowledge today? Start exploring the vast sea of free PDF books and manuals waiting to be discovered right at your fingertips.

### **FAQs About Huskee Chipper Shredder Manual Books**

How do I know which eBook platform is the best for me? Finding the best eBook platform depends on your reading preferences and device compatibility. Research different platforms, read user reviews, and explore their features before making a choice. Are free eBooks of good quality? Yes, many reputable platforms offer high-quality free eBooks, including classics and public domain works. However, make sure to verify the source to ensure the eBook credibility. Can I read eBooks without an eReader? Absolutely! Most eBook platforms offer web-based readers or mobile apps that allow you to read eBooks on your computer, tablet, or smartphone. How do I avoid digital eye strain while reading eBooks? To prevent digital eye strain, take regular breaks, adjust the font size and background color, and ensure proper lighting while reading eBooks. What the advantage of interactive eBooks? Interactive eBooks incorporate multimedia elements, quizzes, and activities, enhancing the reader engagement and providing a more immersive learning experience. Huskee Chipper Shredder Manual is one of the best book in our library for free trial. We provide copy of Huskee Chipper Shredder Manual in digital format, so the resources that you find are reliable. There are also many Ebooks of related with Huskee Chipper Shredder Manual. Where to download Huskee Chipper Shredder Manual online for free? Are you looking for Huskee Chipper Shredder Manual PDF? This is definitely going to save you time and cash in something you should think about.

### **Find Huskee Chipper Shredder Manual :**

fitzgerald 1989 report queensland police

[first grade everyday math teachers manual](#)

[first grade sentence correction](#)

[fishing report beverly harbor](#)

**five similarities and differences between nfsas and student loans**

[fisher paykel gwl15 service manual](#)

[first term general chemistry exam answers](#)

[five similarities between nsfas and other student laon](#)

**fisher scientific ar50 manual**

**fix it roto tillers manual**

[fit and well](#)

[fitting and machine nquestion paper](#)

**fj 1200 manual direct**

[fiscal administration 9th edition](#)

[first times madison](#)

### **Huskee Chipper Shredder Manual :**

Rikki tikki tavi graphic organizers Browse rikki tikki tavi graphic organizers resources on Teachers Pay Teachers, a marketplace trusted by millions of teachers for ... "Rikki-tikki-tavi" BY RUDYARD KIPLING Directions: Select the letter of the response that best answers the ... Analyze and evaluate each component of the Informational Text Graphic Organizer. Text Dependent Questions Rikki Tikki Tavi/ Ruyard Kipiling/ Created by SAP District. Unit 1 Part 2 ... Complete a Know, Want to Learn, Learned (KWL) graphic organizer about the text. Graphic Organizers for Active Reading - ThinkCentral Looking For Graphic Organizers for Active Reading - ThinkCentral? Read Graphic Organizers for Active Reading - ThinkCentral from here. "Rikki-tikki-tavi" by R Kipling · 2007 · Cited by 40 — Answer the following questions about the excerpt from "Rikki-tikki-tavi." animal similarity. Name. Date ... Rikki-Tikki-Tavi | Character Descriptions Worksheet In this activity, students read about two characters in the story and answer questions. Click to view! Rikki-tikki-tavi RUDYARD KIPLING Rikki-tikki-tavi RUDYARD KIPLING. Read each of the following questions. Answer each question in a complete sentence. 1. What kind of animal is Rikki-tikki-tavi? Analyzing Character Confrontations in "Rikki-Tikki-Tavi" Students will analyze the confrontations that drive the story's plot, noting what happens and who is involved, how Rikki's character is developed through each ... Unit 1 Part 2/Week 8 Title: Rikki-tikki-tavi Suggested Time Students complete an evidence chart as a pre-writing activity. Teachers should ... Answer: Tasks and answers available in the anthology on page 137. • After ... Essentials of Economics - 7th Edition



- Solutions and ... Our resource for Essentials of Economics includes answers to chapter exercises, as well as detailed information to walk you through the process step by step. Essential Foundations of Economics - 7th Edition Our resource for Essential Foundations of Economics includes answers to chapter exercises, as well as detailed information to walk you through the process step ... Essentials Of Economics 7th Edition Textbook Solutions Access Essentials of Economics 7th Edition solutions now. Our solutions are written by Chegg experts so you can be assured of the highest quality! Essential Foundations Of Economics 7th Edition Textbook ... Unlike static PDF Essential Foundations of Economics 7th Edition solution manuals or printed answer keys, our experts show you how to solve each problem ... Essentials of Economics 7th Edition Gregory Mankiw ... LEARNING OBJECTIVES: By the end of this chapter, students should understand: □ the effects of government policies that place a ceiling on prices. □ the ... Essentials of Economics 7th Edition Gregory Mankiw ... Full Download Essentials of Economics 7th Edition Gregory Mankiw Solutions Manual - Free download as PDF File (.pdf), Text File (.txt) or read online for ... How to download the solution manual for Essentials ... Aug 4, 2020 — You can find solutions for Mankiw's Microeconomics 7th Edition on Chegg, along with other study resources such as video lectures and study ... Solution Manual for Principles of Economics 7th Edition ... View Solution Manual for Principles of Economics 7th Edition Gottheil.doc from DSFS SDF at University of California, Davis. Essentials of Economics, 7th Edition - 9781285165950 A text by a superb writer and economist that stresses the most important concepts without overwhelming students with an excess of detail. A thorough update has ... Solution Manual Principles of Economics 7th Edition by N. ... 1. Ten Principles of Economics. 2. Thinking Like an Economist. 3. Interdependence and the Gains from Trade. 4. The Market Forces of ... sr-200-product-instruction-manual. ... Use of non-STIHL parts may cause serious or fatal injury. Strictly follow the maintenance and repair instructions in the appropriate section in this instruction ... Maintenance And Repairs - Stihl SR 200 Instruction Manual Stihl SR 200 Manual Online: Maintenance And Repairs. 17.40 lbs (7.9 kg) Users of this unit should carry out only the maintenance operations described in ... User manual Stihl SR 200 (English - 88 pages) Manual. View the manual for the Stihl SR 200 here, for free. This manual comes under the category leaf blowers and has been rated by 1 people with an ... Stihl SR 200 Instruction Manual View and Download Stihl SR 200 instruction manual online. SR 200 power tool pdf manual download. Begging for Stihl SR 200 IPL & service manual Jun 28, 2017 — This is me begging for a Stihl SR 200 IPL & service manual. Thanks in advance. Stihl working Hard. Is it Friday yet. Local time: 10:45 PM. Stihl SR 200 download instruction manual pdf Stihl SR 200 Sprayers instruction, support, forum, description, manual. STIHL-SR-200-Owners-Instruction-Manual Jan 9, 2023 — STIHL-SR-200-Owners-Instruction-Manual.pdf. 1. STIHL SR 200 WARNING Read Instruction Manual thoroughly before use and follow all safety ... Parts | Stihl SR 200 | Product Instruction Manual (Page 33) Page 33 highlights · 1. Container Cap. For closing the container. · 2. Container. Contains the material to be sprayed. · 3. Muffler with Spark Arresting Screen. Stihl BR 200 Backpack Blower (BR 200) Parts Diagram Select a page from the Stihl BR 200 Backpack

Blower (BR 200) exploded view parts diagram to find and buy spares for this machine. SR200 Mistblower Parts GHS is one of the UK's largest spare parts companies. We are main dealers for many brands including Stihl, Wacker, Honda, Husqvarna, ...