

Angles

QUESTION 5: June 2014 Paper 1 (Linear 4370/05); Question 8 (3 marks).

8. In the diagram, angles a , b and c are measured in degrees.

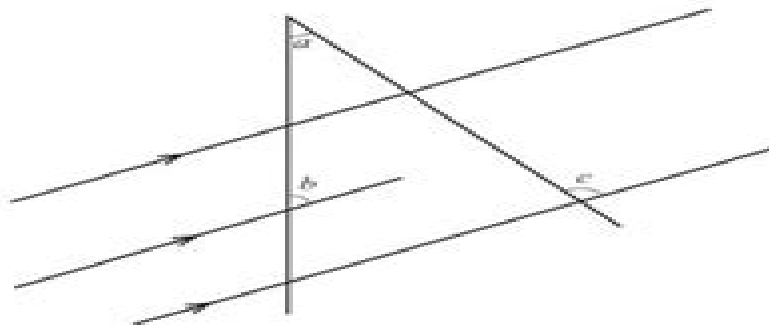


Diagram not drawn to scale

Find the size of angle c in terms of a and b .
You must show all your working, which may be indicated on the diagram.

[3]

Answer	
c	

QUESTION 6: November 2013 Paper 1 (Linear 4370/05); Question 8a (2 marks).

8. Martha is laying out a new design for a flowerbed in her garden, as shown in the diagram below.

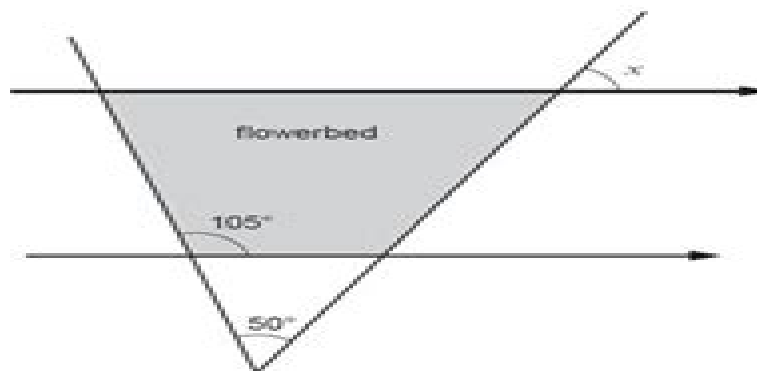


Diagram not drawn to scale

- (a) Calculate the size of angle x .

[2]

Answer	
x	

Gcse 4370 05 Mathematics Answers

Ying-Ying Zheng



Gcse 4370 05 Mathematics Answers:

Yeah, reviewing a books **Gcse 4370 05 Mathematics Answers** could go to your close contacts listings. This is just one of the solutions for you to be successful. As understood, achievement does not suggest that you have astounding points.

Comprehending as without difficulty as arrangement even more than new will manage to pay for each success. neighboring to, the revelation as skillfully as acuteness of this Gcse 4370 05 Mathematics Answers can be taken as competently as picked to act.

https://staging.conocer.cide.edu/results/Resources/HomePages/History_Of_Germanic_Private_Law.pdf

Table of Contents Gcse 4370 05 Mathematics Answers

1. Understanding the eBook Gcse 4370 05 Mathematics Answers
 - The Rise of Digital Reading Gcse 4370 05 Mathematics Answers
 - Advantages of eBooks Over Traditional Books
2. Identifying Gcse 4370 05 Mathematics Answers
 - Exploring Different Genres
 - Considering Fiction vs. Non-Fiction
 - Determining Your Reading Goals
3. Choosing the Right eBook Platform
 - Popular eBook Platforms
 - Features to Look for in an Gcse 4370 05 Mathematics Answers
 - User-Friendly Interface
4. Exploring eBook Recommendations from Gcse 4370 05 Mathematics Answers
 - Personalized Recommendations
 - Gcse 4370 05 Mathematics Answers User Reviews and Ratings
 - Gcse 4370 05 Mathematics Answers and Bestseller Lists
5. Accessing Gcse 4370 05 Mathematics Answers Free and Paid eBooks
 - Gcse 4370 05 Mathematics Answers Public Domain eBooks

- Gcse 4370 05 Mathematics Answers eBook Subscription Services
- Gcse 4370 05 Mathematics Answers Budget-Friendly Options
- 6. Navigating Gcse 4370 05 Mathematics Answers eBook Formats
 - ePub, PDF, MOBI, and More
 - Gcse 4370 05 Mathematics Answers Compatibility with Devices
 - Gcse 4370 05 Mathematics Answers Enhanced eBook Features
- 7. Enhancing Your Reading Experience
 - Adjustable Fonts and Text Sizes of Gcse 4370 05 Mathematics Answers
 - Highlighting and Note-Taking Gcse 4370 05 Mathematics Answers
 - Interactive Elements Gcse 4370 05 Mathematics Answers
- 8. Staying Engaged with Gcse 4370 05 Mathematics Answers
 - Joining Online Reading Communities
 - Participating in Virtual Book Clubs
 - Following Authors and Publishers Gcse 4370 05 Mathematics Answers
- 9. Balancing eBooks and Physical Books Gcse 4370 05 Mathematics Answers
 - Benefits of a Digital Library
 - Creating a Diverse Reading Collection Gcse 4370 05 Mathematics Answers
- 10. Overcoming Reading Challenges
 - Dealing with Digital Eye Strain
 - Minimizing Distractions
 - Managing Screen Time
- 11. Cultivating a Reading Routine Gcse 4370 05 Mathematics Answers
 - Setting Reading Goals Gcse 4370 05 Mathematics Answers
 - Carving Out Dedicated Reading Time
- 12. Sourcing Reliable Information of Gcse 4370 05 Mathematics Answers
 - Fact-Checking eBook Content of Gcse 4370 05 Mathematics Answers
 - Distinguishing Credible Sources
- 13. Promoting Lifelong Learning
 - Utilizing eBooks for Skill Development
 - Exploring Educational eBooks

14. Embracing eBook Trends

- Integration of Multimedia Elements
- Interactive and Gamified eBooks

Gcse 4370 05 Mathematics Answers Introduction

Free PDF Books and Manuals for Download: Unlocking Knowledge at Your Fingertips In today's fast-paced digital age, obtaining valuable knowledge has become easier than ever. Thanks to the internet, a vast array of books and manuals are now available for free download in PDF format. Whether you are a student, professional, or simply an avid reader, this treasure trove of downloadable resources offers a wealth of information, conveniently accessible anytime, anywhere. The advent of online libraries and platforms dedicated to sharing knowledge has revolutionized the way we consume information. No longer confined to physical libraries or bookstores, readers can now access an extensive collection of digital books and manuals with just a few clicks. These resources, available in PDF, Microsoft Word, and PowerPoint formats, cater to a wide range of interests, including literature, technology, science, history, and much more. One notable platform where you can explore and download free Gcse 4370 05 Mathematics Answers PDF books and manuals is the internet's largest free library. Hosted online, this catalog compiles a vast assortment of documents, making it a veritable goldmine of knowledge. With its easy-to-use website interface and customizable PDF generator, this platform offers a user-friendly experience, allowing individuals to effortlessly navigate and access the information they seek. The availability of free PDF books and manuals on this platform demonstrates its commitment to democratizing education and empowering individuals with the tools needed to succeed in their chosen fields. It allows anyone, regardless of their background or financial limitations, to expand their horizons and gain insights from experts in various disciplines. One of the most significant advantages of downloading PDF books and manuals lies in their portability. Unlike physical copies, digital books can be stored and carried on a single device, such as a tablet or smartphone, saving valuable space and weight. This convenience makes it possible for readers to have their entire library at their fingertips, whether they are commuting, traveling, or simply enjoying a lazy afternoon at home. Additionally, digital files are easily searchable, enabling readers to locate specific information within seconds. With a few keystrokes, users can search for keywords, topics, or phrases, making research and finding relevant information a breeze. This efficiency saves time and effort, streamlining the learning process and allowing individuals to focus on extracting the information they need. Furthermore, the availability of free PDF books and manuals fosters a culture of continuous learning. By removing financial barriers, more people can access educational resources and pursue lifelong learning, contributing to personal growth and professional development. This democratization of knowledge promotes intellectual curiosity and empowers individuals to become lifelong learners, promoting progress and innovation in various fields. It is worth noting that

while accessing free Gcse 4370 05 Mathematics Answers PDF books and manuals is convenient and cost-effective, it is vital to respect copyright laws and intellectual property rights. Platforms offering free downloads often operate within legal boundaries, ensuring that the materials they provide are either in the public domain or authorized for distribution. By adhering to copyright laws, users can enjoy the benefits of free access to knowledge while supporting the authors and publishers who make these resources available. In conclusion, the availability of Gcse 4370 05 Mathematics Answers free PDF books and manuals for download has revolutionized the way we access and consume knowledge. With just a few clicks, individuals can explore a vast collection of resources across different disciplines, all free of charge. This accessibility empowers individuals to become lifelong learners, contributing to personal growth, professional development, and the advancement of society as a whole. So why not unlock a world of knowledge today? Start exploring the vast sea of free PDF books and manuals waiting to be discovered right at your fingertips.

FAQs About Gcse 4370 05 Mathematics Answers Books

1. Where can I buy Gcse 4370 05 Mathematics Answers books? Bookstores: Physical bookstores like Barnes & Noble, Waterstones, and independent local stores. Online Retailers: Amazon, Book Depository, and various online bookstores offer a wide range of books in physical and digital formats.
2. What are the different book formats available? Hardcover: Sturdy and durable, usually more expensive. Paperback: Cheaper, lighter, and more portable than hardcovers. E-books: Digital books available for e-readers like Kindle or software like Apple Books, Kindle, and Google Play Books.
3. How do I choose a Gcse 4370 05 Mathematics Answers book to read? Genres: Consider the genre you enjoy (fiction, non-fiction, mystery, sci-fi, etc.). Recommendations: Ask friends, join book clubs, or explore online reviews and recommendations. Author: If you like a particular author, you might enjoy more of their work.
4. How do I take care of Gcse 4370 05 Mathematics Answers books? Storage: Keep them away from direct sunlight and in a dry environment. Handling: Avoid folding pages, use bookmarks, and handle them with clean hands. Cleaning: Gently dust the covers and pages occasionally.
5. Can I borrow books without buying them? Public Libraries: Local libraries offer a wide range of books for borrowing. Book Swaps: Community book exchanges or online platforms where people exchange books.
6. How can I track my reading progress or manage my book collection? Book Tracking Apps: Goodreads, LibraryThing, and Book Catalogue are popular apps for tracking your reading progress and managing book collections. Spreadsheets:

You can create your own spreadsheet to track books read, ratings, and other details.

7. What are Gcse 4370 05 Mathematics Answers audiobooks, and where can I find them? Audiobooks: Audio recordings of books, perfect for listening while commuting or multitasking. Platforms: Audible, LibriVox, and Google Play Books offer a wide selection of audiobooks.
8. How do I support authors or the book industry? Buy Books: Purchase books from authors or independent bookstores. Reviews: Leave reviews on platforms like Goodreads or Amazon. Promotion: Share your favorite books on social media or recommend them to friends.
9. Are there book clubs or reading communities I can join? Local Clubs: Check for local book clubs in libraries or community centers. Online Communities: Platforms like Goodreads have virtual book clubs and discussion groups.
10. Can I read Gcse 4370 05 Mathematics Answers books for free? Public Domain Books: Many classic books are available for free as they're in the public domain. Free E-books: Some websites offer free e-books legally, like Project Gutenberg or Open Library.

Find Gcse 4370 05 Mathematics Answers :

history of germanic private law

history of atlantis the

history of jewish philosophy in the middle ages

history in fragments europe in the twentieth century

history of germany

history and techniques of the great masters monet

history channel history guides the conquests of napoleon

history of hillsborough 1921 - 1963. 201 p.

history of domestic and foreign commerce of the united states. two volumes.

history and science a study of the relation of historical and theoretical knowledge

history of johnny quae genus

history of education. - hardcover

history of egypt 1859

historical settlement of liberia and its environmental impact

history of charles xii king of sweden

Gcse 4370 05 Mathematics Answers :

the norton anthology of american literature - Sep 05 2022

web ebook learning tools e item starting at 42 63 isbn 978 1 324 04371 3 view all options activate your registration code paperback 77 50 all editions volumes shorter tenth edition combined volume tenth edition package 2 volumes c d e tenth edition package 1 volumes a and b shorter tenth edition volume 2 shorter tenth

[search for books by isbn](#) - Apr 12 2023

web 03 june 2021 what is an isbn isbn is the acronym for international standard book number this 10 or 13 digit number identifies a specific book an edition of a book or a book like product such as an audiobook since 1970 each published book has a unique isbn in 2007 assigned isbns changed from 10 digits to 13

singapore heritage books nanyang technological university - Mar 31 2022

web aug 10 2022 call number tx724 5 s55t161s isbn 9813065761 publication date 2004 this bestselling classic cookbook by singaporean cookery doyen sylvia tan provides recipes for the well loved dishes of singapore and traces the development of the culinary heritage of the food paradise food by tan sylvia call number gt2853 t161

isbn 9780393537017 little seagull handbook ebook - Feb 10 2023

web ebook find 9780393537017 little seagull handbook ebook inquizitive for writers by at over 30 bookstores buy rent or sell *essentials of international relations karen a mingst heather* - Nov 07 2022

web product details classic perspectives and current coverage with a new chapter on the environment and extensive coverage of the coronavirus pandemic and global health heather mckibben continues to enliven karen mingst s classic concise text

[isbn search](#) - Sep 17 2023

web use our search engine to find book information and the best prices for books typical location of an isbn on the back of a book isbn database if you re looking for a book database with comprehensive book data searchable via api check out isbndb com subscription starts from only 14 95 per 5 000 daily calls

the norton field guide to writing with readings - Oct 06 2022

web isbn 978 0 393 88406 7 view all options activate your registration code paperback 78 12 with ebook the little seagull handbook ebook videos and inquizitive for writers isbn 978 0 393 88407 4 1136 pages add to cart all editions volumes about the book description highlights

11 books about singapore history to read so you won t be - Feb 27 2022

web there s never not a good time to read up and stay informed about singapore s origins and the transformation it has been through over the past centuries even if you are a citizen or not with singapore s 55th birthday approaching soon we ve

chosen 10 books that shine a light on its multilayered history coming from various viewpoints memoirs novels

free isbn citation generator 2023 update bibguru - Jun 02 2022

web an isbn or international standard book number is a numeric commercial book identifier which is a number unique for every book including e books and audio books isbns are calculated using a specific mathematical formula and include a *search for books by isbn* - Jul 15 2023

web jun 3 2021 search for books by isbn june 03 2021 isbn is the acronym for international standard book number this 10 or 13 digit number identifies a specific book an edition of a book or a book like product such as an audiobook since 1970 each published book has been allocated a unique isbn in 2007 assigned isbns changed

[the little seagull handbook amazon com](#) - Jun 14 2023

web dec 22 2016 the little seagull handbook is a concise and practical guide for students who want to improve their writing skills the third edition offers updated advice on research documentation grammar style and more whether you need help with essays reports presentations or creative writing this handbook can help you master the basics and

the little seagull handbook with exercises 3e with access card - Mar 11 2023

web may 16 2017 this is a preassembled package of the little seagull handbook with exercises 978 0 393 60264 7 and the little seagull handbook ebook and inquizitive access card 978 0 393 64358 9 this affordable pocket sized handbook does the work of a full sized handbook while focusing on the specific kinds of writing students are

[the odyssey homer emily wilson w w norton company](#) - May 01 2022

web the odyssey by homer author emily wilson translator university of pennsylvania about emily wilson s translation wilson s language is fresh unpretentious and lean even knowing the text well i found myself rapt her worthy goal is always to engage readers inviting them more deeply into the story

the best books on singapore five books - Jul 03 2022

web jul 29 2019 the fourth on your list of books is singapore disrupted by chua mui hoong a political columnist and opinion editor at the straits times which is singapore s main broadsheet english language newspaper this is a series of her articles yes she s a political columnist this book is a compilation of articles she has written over the years

[isbn search search for new and used books by isbn bookfinder com](#) - May 13 2023

web isbns are 10 or 13 digit codes identifying specific editions of a book they re sometimes written with hyphens examples 0321543254 0 321 54325 4 9780321543257 isbn codes are usually listed on a book s back cover bar code or copyright page searching by isbn ensures that you find the exact edition you are looking for when buying textbooks

[isbn 9780393930917 the seagull reader 2nd edition direct](#) - Oct 18 2023

web the seagull reader 2nd author s joseph kelly published 2007 publisher w w norton company format paperback 552 pages

isbn 978 0 393 93091 7 edition 2nd second 2e reviews find in library searching bookstores for the lowest price all new used international find 9780393930917 the seagull reader 2nd edition by kelly at over 30

the seagull reader by joseph kelly open library - Aug 16 2023

web jan 17 2023 august 21 2020 edited by importbot import existing book october 7 2008 created by importbot imported from library of congress marc record the seagull reader by joseph kelly 2008 w w norton edition in english 2nd ed

doing ethics lewis vaughn w w norton company - Aug 04 2022

web product details teaching students how to actively apply moral reasoning doing ethics is the best selling book for courses with an applied emphasis it teaches moral decision making as an active process giving students the theoretical and logical tools required to

the little seagull handbook w w norton company - Jan 09 2023

web about the book description contents highlights product details the 1 brief handbook and one that students say improves their writing easy to use and easy to afford the little seagull handbook is the 1 brief handbook because students say it has a positive impact on their writing

cultural psychology steven j heine w w norton company - Dec 08 2022

web product details cultural psychology through a global lens the most contemporary and relevant introduction to the field cultural psychology fourth edition is unmatched in both its presentation of current global experimental research and its focus on helping students to think like cultural psychologists featured ebook

white rabbit red wolf by tom pollock book review - Mar 29 2022

white rabbit red wolf tom pollock google books - Jan 07 2023

web white rabbit red wolf this story is a lie 2018 tom pollock seventeen year old peter blankman is afraid of most things but he loves his mother a famous research

pollock 8217 s rabbit runs to production firm seven stories - Jul 01 2022

web track white rabbit red wolf new episodes see when is the next episode air date series schedule trailer countdown calendar and more tv show guide for white rabbit red

mental illness in ya month review white rabbit red - Oct 04 2022

web white rabbit red wolf is his first book for teenagers tom lives in london and you can follow him on twitter tomhpollock *white rabbit rotten tomatoes* - Nov 24 2021

white rabbit red wolf leeds book awards - Dec 06 2022

web apr 3 2019 tv rights to tom pollock s thriller white rabbit red wolf have been sold to seven stories the production company behind netflix drama selection day

white rabbit red wolf next episode - Jan 27 2022

white rabbit red wolf by tom pollock lovreading4kids - Apr 10 2023

web white rabbit red wolf follows petey as he tries to find out who tried to kill his mother petey is seventeen years old but he has constant panic attacks and relies on his sister

white rabbit red wolf curiosity killed the bookworm - Nov 05 2022

web may 3 2018 frances hardinge a taut thriller about murder maths and the mind peter blankman is afraid of everything but must confront truly unimaginable terror when his

mathfiction white rabbit red wolf this story is a lie tom - Aug 02 2022

web white rabbit red wolf tom pollock 396 pages first pub 2018 isbn uid none format not specified language english publisher not specified publication date not

white rabbit red wolf by tom pollock fantastic fiction - Feb 08 2023

web white rabbit red wolf tom pollock peter 17 ik figuur een wiskundig genie heeft last van paniekaanvallen tijdens zo n aanval blijkt zijn moeder een geniale wetenschapper

white rabbit red wolf pollock tom amazon co uk - Jul 13 2023

web may 13 2018 seventeen year old peter blankman is a maths prodigy he also suffers from severe panic attacks afraid of everything he finds solace in the orderly and logical world

white rabbit red wolf by tom pollock i read therefore i blog - Mar 09 2023

web white rabbit red wolf is a twisty turny young adult thriller which challenges the stereotype of the spy book hero it is so twisty it s a bit hard to review much about the

white rabbit red wolf by tom pollock goodreads - Aug 14 2023

web ukla longlist book awards 2019 this explosively unique page turner sees a seventeen year old maths genius with anxiety disorder become embroiled in a treacherous world of

white rabbit red wolf by tom pollock overdrive - May 31 2022

web a bullied student sees visions of a rabbit he was forced to kill as a child and those visions propel him into a state where his imagination causes him to carry out violent acts genre

white rabbit red wolf by tom pollock waterstones - Jun 12 2023

web a beautiful mind meets the bourne identity with complicated and fascinating teenage protagonists author tom pollock

skillfully weaves together mental health complicated
white rabbit 2015 imdb - Oct 24 2021

white rabbit red wolf walker books australia - Apr 29 2022

web may 3 2018 in this dark and twisted thriller nothing is what it seems but pollock s greatest triumph is the portrait of a psyche at war with itself the guardian this novel

white rabbit red wolf book 2018 worldcat org - Sep 03 2022

web mar 27 2019 white rabbit red wolf by tom pollock book review someone has stabbed pete s scientist mum and now he s caught up in the tangled web of the

white rabbit project netflix resmi sitesi - Dec 26 2021

white rabbit red wolf kindle edition amazon co uk - Sep 22 2021

white rabbit red wolf by tom pollock the storygraph - Feb 25 2022

white rabbit red wolf pollock tom - May 11 2023

web seventeen year old peter blankman is a maths prodigy he also suffers from severe panic attacks afraid of everything he finds solace in the orderly and logical world of

wieder fit in franza sisch grammatik wortschatz u nicola - Oct 04 2022

web getting the books wieder fit in franza sisch grammatik wortschatz u now is not type of challenging means you could not lonesome going as soon as books deposit or library or

wieder fit in franza sisch grammatik wortschatz u pdf - Jan 07 2023

web may 11 2023 wieder fit in franza sisch grammatik wortschatz u pdf if you ally infatuation such a referred wieder fit in franza sisch grammatik wortschatz u pdf

wieder fit in franza sisch grammatik wortschatz u pdf - Apr 10 2023

web feb 19 2023 wieder fit in franza sisch grammatik wortschatz u 2 10 downloaded from uniport edu ng on february 19 2023 by guest auffassungen ansätzen und in tentionen

wieder fit in französisch taschenbuch 1 januar 2007 - May 31 2022

web klappentext wieder fit in französisch wendet sich an alle die ihre früher erworbenen grundkenntnisse in französisch wieder auffrischen und verbessern wollen in 20 kurzen

Übung zu den fragewörtern training by fit für franze - Aug 02 2022

web mar 20 2022 Übung zur bildung von fragesätzen mit den wichtigsten französischen fragewörtern qui que où quand comment pourquoi combien schritt für schritt erklä

wieder fit in franza sisch grammatik wortschatz u pdf - Jul 13 2023

web wieder fit in franza sisch grammatik wortschatz u 2 9 downloaded from uniport edu ng on may 25 2023 by guest ungekürzter originaltext mateo falcone ist eine erzählung

wieder fit in franza sisch grammatik wortschatz u - Nov 24 2021

web verstehen nebenbei erlernt man den wortschatz und wiederholt verbessert die grammatik dank der integrierten hörbücher wird auch das hörverständnis trainiert

wieder fit in franza sisch grammatik wortschatz u 2023 - Nov 05 2022

web wieder fit in franza sisch grammatik wortschatz u 1001 einfache sätze deutsch französisch ist eine

wieder fit in franza sisch grammatik wortschatz u pdf 2023 - Oct 24 2021

web may 9 2023 here and check out the link wortschatz u web wieder fit in franza sisch grammatik wortschatz u bachmann handbuch jun 12 2021 das werk ingeborg

wieder fit in franza sisch grammatik wortschatz u avenza - Apr 29 2022

web nov 12 2022 wieder fit in franza sisch grammatik wortschatz u 3 13 downloaded from avenza dev avenza com on november 12 2022 by guest vereinfachter lautschrift

wieder fit in franza sisch grammatik wortschatz u pdf - Jan 27 2022

web may 6 2023 wieder fit in franza sisch grammatik wortschatz u 1 9 downloaded from uniport edu ng on may 6 2023 by guest wieder fit in franza sisch grammatik

wieder fit in französisch grammatik wortschatz und - Mar 29 2022

web wieder fit in französisch grammatik wortschatz und wendungen zum auffrischen stentenbach bernhard isbn 9783844807394 kostenloser versand für alle bücher

wieder fit in franza sisch grammatik wortschatz u pdf - Mar 09 2023

web mar 23 2023 wieder fit in franza sisch grammatik wortschatz u 2 8 downloaded from uniport edu ng on march 23 2023 by guest different categories to help you build your

wieder fit in franza sisch grammatik wortschatz u pdf ulrike - Sep 22 2021

web wieder fit in franza sisch grammatik wortschatz u pdf if you ally compulsion such a referred wieder fit in franza sisch grammatik wortschatz u pdf book that will find

wieder fit in französisch grammatik wortschatz und - Jul 01 2022

web wieder fit in französisch grammatik wortschatz und wendungen zum auffrischen bernhard stentenbach bod books on demand

wieder fit in franza sisch grammatik wortschatz u pdf - May 11 2023

web apr 2 2023 wieder fit in franza sisch grammatik wortschatz u that you are looking for it will totally squander the time however below bearing in mind you visit this web

wieder fit in franza sisch grammatik wortschatz u pdf 2023 - Jun 12 2023

web jun 6 2023 relation to the costs its nearly what you obsession currently this wieder fit in franza sisch grammatik wortschatz u pdf as one of the most working sellers here

wieder fit in franza sisch grammatik wortschatz u pdf - Feb 08 2023

web wieder fit in französisch dec 01 2021 wieder fit in franz sisch wendet sich an alle die ihre fr her erworbenen grundkenntnisse in franz sisch wieder auffrischen und

wieder fit in franza sisch grammatik wortschatz u pdf - Aug 14 2023

web wieder fit in franza sisch grammatik wortschatz u 1 wieder fit in franza sisch grammatik wortschatz u as recognized adventure as with ease as experience just

download free wieder fit in franza sisch grammatik wortschatz u - Sep 03 2022

web wieder fit in französisch wendet sich an alle die ihre früher erworbenen grundkenntnisse in französisch wieder auffrischen und verbessern wollen in 20 kurzen kapiteln wird die

wieder fit in franza sisch grammatik wortschatz u pdf - Dec 26 2021

web may 8 2023 wieder fit in franza sisch grammatik wortschatz u 2 8 downloaded from uniport edu ng on may 8 2023 by guest geordnet laut einer studie machen die 1000

wieder fit in franza sisch grammatik wortschatz u berlitz - Dec 06 2022

web wieder fit in franza sisch grammatik wortschatz u is available in our digital library an online access to it any of our books like this one merely said the wieder fit in

konjugation von fit vocabulix - Feb 25 2022

web online englisch lernen hier kannst du die konjugation von fit sehen bitte wähle die gewünschte zeitform im kästchen oder drücke einen der im kästchen stehenden links