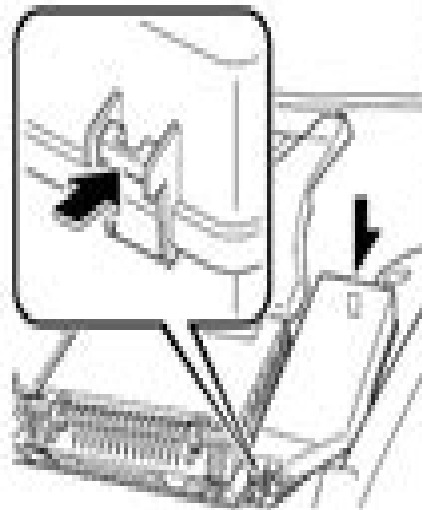
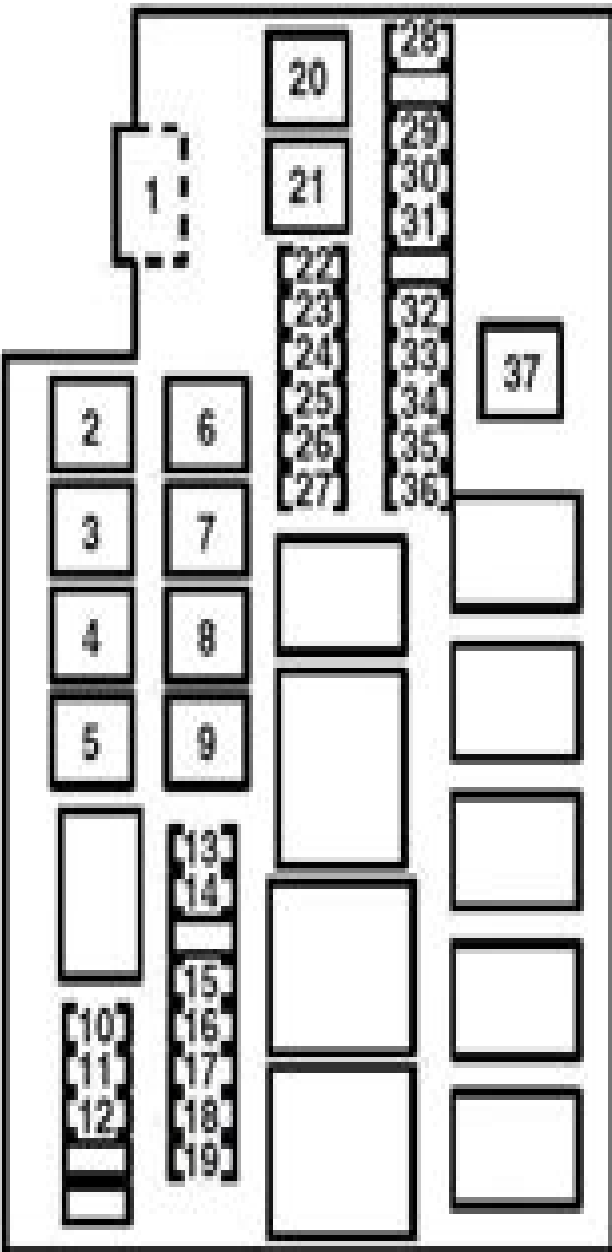


Mazda RX-8 (2002-2012) Fuse Box Diagrams

Engine Compartment Fuse Box



25	HORN	15	Horn
26	HAZARD	15	Hazard warning flashers, Turn signals
27	ETV	15	Electric throttle valve
28	ST	10	2008-2012: Starter
29	WIPER	20	Windshield wiper and washer
30	P WIND	20	2002-2007: Power windows
	TCM	15	2008-2012: TCM
31	ENGINE	15	Engine control system, Supplemental restraint system, ABS, Power steering
32	TAL	10	Tailights, License plate light, Parking lights, Front side-marker lights, Rear side-marker lights
33	ILLUM	10	2002-2007: Illuminated entry system
	ILLUM	7.5	2008-2012: Illuminated entry system
34	EGI COMP1	10	2002-2007: Engine control system
	EGI COMP1	15	2008-2012: Engine control system
35	EGI COMP2	10	Engine control system
36	EGINI	15	Fuel injector
37	P WIND 2	20	2008-2012: Power window

Fuse Diagram 1983 Rx 7

**Tennessee Valley Authority. Office of
Chief Engineer**



Fuse Diagram 1983 Rx 7:

Unveiling the Energy of Verbal Beauty: An Emotional Sojourn through **Fuse Diagram 1983 Rx 7**

In a global inundated with screens and the cacophony of instant communication, the profound power and emotional resonance of verbal beauty frequently disappear in to obscurity, eclipsed by the regular onslaught of sound and distractions. However, nestled within the lyrical pages of **Fuse Diagram 1983 Rx 7**, a fascinating perform of fictional brilliance that pulses with organic thoughts, lies an memorable trip waiting to be embarked upon. Composed by a virtuoso wordsmith, that enchanting opus books viewers on a psychological odyssey, gently revealing the latent possible and profound affect stuck within the elaborate web of language. Within the heart-wrenching expanse of the evocative examination, we shall embark upon an introspective exploration of the book is central subjects, dissect its charming writing fashion, and immerse ourselves in the indelible effect it leaves upon the depths of readers souls.

<https://staging.conocer.cide.edu/About/detail/fetch.php/Mitsubishi%20Manual%20Engine%206d22%20Manual.pdf>

Table of Contents Fuse Diagram 1983 Rx 7

1. Understanding the eBook Fuse Diagram 1983 Rx 7
 - The Rise of Digital Reading Fuse Diagram 1983 Rx 7
 - Advantages of eBooks Over Traditional Books
2. Identifying Fuse Diagram 1983 Rx 7
 - Exploring Different Genres
 - Considering Fiction vs. Non-Fiction
 - Determining Your Reading Goals
3. Choosing the Right eBook Platform
 - Popular eBook Platforms
 - Features to Look for in an Fuse Diagram 1983 Rx 7
 - User-Friendly Interface
4. Exploring eBook Recommendations from Fuse Diagram 1983 Rx 7
 - Personalized Recommendations

- Fuse Diagram 1983 Rx 7 User Reviews and Ratings
- Fuse Diagram 1983 Rx 7 and Bestseller Lists
- 5. Accessing Fuse Diagram 1983 Rx 7 Free and Paid eBooks
 - Fuse Diagram 1983 Rx 7 Public Domain eBooks
 - Fuse Diagram 1983 Rx 7 eBook Subscription Services
 - Fuse Diagram 1983 Rx 7 Budget-Friendly Options
- 6. Navigating Fuse Diagram 1983 Rx 7 eBook Formats
 - ePub, PDF, MOBI, and More
 - Fuse Diagram 1983 Rx 7 Compatibility with Devices
 - Fuse Diagram 1983 Rx 7 Enhanced eBook Features
- 7. Enhancing Your Reading Experience
 - Adjustable Fonts and Text Sizes of Fuse Diagram 1983 Rx 7
 - Highlighting and Note-Taking Fuse Diagram 1983 Rx 7
 - Interactive Elements Fuse Diagram 1983 Rx 7
- 8. Staying Engaged with Fuse Diagram 1983 Rx 7
 - Joining Online Reading Communities
 - Participating in Virtual Book Clubs
 - Following Authors and Publishers Fuse Diagram 1983 Rx 7
- 9. Balancing eBooks and Physical Books Fuse Diagram 1983 Rx 7
 - Benefits of a Digital Library
 - Creating a Diverse Reading Collection Fuse Diagram 1983 Rx 7
- 10. Overcoming Reading Challenges
 - Dealing with Digital Eye Strain
 - Minimizing Distractions
 - Managing Screen Time
- 11. Cultivating a Reading Routine Fuse Diagram 1983 Rx 7
 - Setting Reading Goals Fuse Diagram 1983 Rx 7
 - Carving Out Dedicated Reading Time
- 12. Sourcing Reliable Information of Fuse Diagram 1983 Rx 7
 - Fact-Checking eBook Content of Fuse Diagram 1983 Rx 7

- Distinguishing Credible Sources
- 13. Promoting Lifelong Learning
 - Utilizing eBooks for Skill Development
 - Exploring Educational eBooks
- 14. Embracing eBook Trends
 - Integration of Multimedia Elements
 - Interactive and Gamified eBooks

Fuse Diagram 1983 Rx 7 Introduction

In today's digital age, the availability of Fuse Diagram 1983 Rx 7 books and manuals for download has revolutionized the way we access information. Gone are the days of physically flipping through pages and carrying heavy textbooks or manuals. With just a few clicks, we can now access a wealth of knowledge from the comfort of our own homes or on the go. This article will explore the advantages of Fuse Diagram 1983 Rx 7 books and manuals for download, along with some popular platforms that offer these resources. One of the significant advantages of Fuse Diagram 1983 Rx 7 books and manuals for download is the cost-saving aspect. Traditional books and manuals can be costly, especially if you need to purchase several of them for educational or professional purposes. By accessing Fuse Diagram 1983 Rx 7 versions, you eliminate the need to spend money on physical copies. This not only saves you money but also reduces the environmental impact associated with book production and transportation. Furthermore, Fuse Diagram 1983 Rx 7 books and manuals for download are incredibly convenient. With just a computer or smartphone and an internet connection, you can access a vast library of resources on any subject imaginable. Whether you're a student looking for textbooks, a professional seeking industry-specific manuals, or someone interested in self-improvement, these digital resources provide an efficient and accessible means of acquiring knowledge. Moreover, PDF books and manuals offer a range of benefits compared to other digital formats. PDF files are designed to retain their formatting regardless of the device used to open them. This ensures that the content appears exactly as intended by the author, with no loss of formatting or missing graphics. Additionally, PDF files can be easily annotated, bookmarked, and searched for specific terms, making them highly practical for studying or referencing. When it comes to accessing Fuse Diagram 1983 Rx 7 books and manuals, several platforms offer an extensive collection of resources. One such platform is Project Gutenberg, a nonprofit organization that provides over 60,000 free eBooks. These books are primarily in the public domain, meaning they can be freely distributed and downloaded. Project Gutenberg offers a wide range of classic literature, making it an excellent resource for literature enthusiasts. Another popular platform for Fuse Diagram 1983 Rx 7 books and manuals is Open Library. Open Library is an initiative of the Internet Archive, a non-profit organization dedicated

to digitizing cultural artifacts and making them accessible to the public. Open Library hosts millions of books, including both public domain works and contemporary titles. It also allows users to borrow digital copies of certain books for a limited period, similar to a library lending system. Additionally, many universities and educational institutions have their own digital libraries that provide free access to PDF books and manuals. These libraries often offer academic texts, research papers, and technical manuals, making them invaluable resources for students and researchers. Some notable examples include MIT OpenCourseWare, which offers free access to course materials from the Massachusetts Institute of Technology, and the Digital Public Library of America, which provides a vast collection of digitized books and historical documents. In conclusion, Fuse Diagram 1983 Rx 7 books and manuals for download have transformed the way we access information. They provide a cost-effective and convenient means of acquiring knowledge, offering the ability to access a vast library of resources at our fingertips. With platforms like Project Gutenberg, Open Library, and various digital libraries offered by educational institutions, we have access to an ever-expanding collection of books and manuals. Whether for educational, professional, or personal purposes, these digital resources serve as valuable tools for continuous learning and self-improvement. So why not take advantage of the vast world of Fuse Diagram 1983 Rx 7 books and manuals for download and embark on your journey of knowledge?

FAQs About Fuse Diagram 1983 Rx 7 Books

How do I know which eBook platform is the best for me? Finding the best eBook platform depends on your reading preferences and device compatibility. Research different platforms, read user reviews, and explore their features before making a choice. Are free eBooks of good quality? Yes, many reputable platforms offer high-quality free eBooks, including classics and public domain works. However, make sure to verify the source to ensure the eBook credibility. Can I read eBooks without an eReader? Absolutely! Most eBook platforms offer web-based readers or mobile apps that allow you to read eBooks on your computer, tablet, or smartphone. How do I avoid digital eye strain while reading eBooks? To prevent digital eye strain, take regular breaks, adjust the font size and background color, and ensure proper lighting while reading eBooks. What the advantage of interactive eBooks? Interactive eBooks incorporate multimedia elements, quizzes, and activities, enhancing the reader engagement and providing a more immersive learning experience. Fuse Diagram 1983 Rx 7 is one of the best book in our library for free trial. We provide copy of Fuse Diagram 1983 Rx 7 in digital format, so the resources that you find are reliable. There are also many Ebooks of related with Fuse Diagram 1983 Rx 7. Where to download Fuse Diagram 1983 Rx 7 online for free? Are you looking for Fuse Diagram 1983 Rx 7 PDF? This is definitely going to save you time and cash in something you should think about.

Find Fuse Diagram 1983 Rx 7 :

[mitsubishi manual engine 6d22 manual](#)

[mitsubishi mirage factory service repair manual 1990 2000](#)

[mitsubishi pajero service repair manual 1996 2001](#)

[mitsubishi l200 workshop manual 4wd system](#)

[mitsubishi transmission repair manual](#)

[mitsubishi self ejector maintenace manual](#)

[mitsubishi workshop manual 4d56t](#)

[mitsubishi mp2b user manual](#)

[mitsubishi magna verada repair manual](#)

[mitsubishi triton truck service repair workshop manual 2005 2011](#)

[mitsubishi wd 65735 owners manual](#)

[mitsubishi magnatr workshop manual](#)

[mitsubishi montero full service repair manual 1996 1997](#)

[mitsubishi pk20 user guide](#)

[mitsubishi user manual book car parts user manual](#)

Fuse Diagram 1983 Rx 7 :

[church pastor resignation letter leaving a church letter](#) - Mar 30 2022

web sample 2 email subject resignation dear pastor james i am sending this letter as a notification about my resignation from the position of choir minister of albany evangelical church unfortunately circumstances have forced me to make this hard decision effective two weeks from today

[how to write a pastor resignation letter with samples](#) - Jul 02 2022

web aug 2 2023 whether you are leaving your current church for personal reasons career growth or a new calling a well written resignation letter can help ensure a smooth transition and maintain good relationships with your congregation and

[a sample church resignation letter 6 examples optimistminds](#) - Sep 04 2022

web sep 26 2022 a church resignation letter refers to a formal written notice that lets the receiver know of the sender s intention to leave a position with a religious organization a church resignation letter is similar to a general resignation letter in terms of the content mostly but it is addressed to a pastor or other church leader

a checklist for when a pastor resigns virginia - May 12 2023

web a checklist for when a pastor resigns 1 receive resignation of the pastor the pastor should prepare a letter of resignation that specifies the last day of service and includes appreciation for partnership with the congregation 2 congregation council receives the pastor s resignation at a regular or a called

what to do and what not to do when your pastor resigns - Apr 30 2022

web practical what to do and what not to do when your pastor resigns by jared c wilson september 8 2016 i heard from another pastor last week whose exit from his church went sideways

church religious group resignation letter template eforms - Jan 08 2023

web sep 11 2023 a church resignation letter is a formal written notice announcing the intention to leave a position with a religious organization it is usually addressed to a pastor or other church leader this letter should cover logistics but it can also offer an opportunity to share sentiments and express well wishes to the wider congregation

my resignation letter to my congregation the gospel coalition - Jan 28 2022

web oct 8 2015 the question we brought before the lord was this am i called to continue on as the pastor of this church we now believe the lord has led us to the conclusion that i am not i will be asking you to release me from my call as your pastor

pastor acceptance letter templates writolay - Jun 13 2023

web oct 6 2021 how to write an acceptance letter 11 templates pastor cover letter examples 6 templates appeal letter for church financial support 4 templates church resignation letter example 4 templates associate pastor cover letter examples 4 templates pastor recommendation letter 4 fee templates pastor appointment

acceptance of pastorate letter church letters - Aug 15 2023

web acceptance of pastorate letter it is with a humble heart and a thankful spirit that i learned that you had selected me to serve as your pastor my heart is filled with joy as i write this letter accepting the position at first christian church

pastor resignation letter to congregation 5 samples - Feb 26 2022

web sep 21 2022 sample 3 pastor resignation letters to congregation dear pastor george deacon board and church family it is with a saddened but grateful heart that i write this letter to you all to submit my resignation as head of the amazing youth ministry at abc community church

pastor resignation letters 5 samples optimistminds - Jul 14 2023

web sep 24 2022 this blog post will show you samples of pastor resignation letters writing a resignation letter for a pastor when writing a resignation letter for a pastor these are some of the things that you need to keep in mind the first step is to tell the ministry about leaving the position and the final work date

pastors can resign from churches with dignity and respect - Mar 10 2023

web jan 1 2014 take the high road this also means removing as much of the emotion as possible from your resignation standing before the congregation on sunday morning and shocking them with your prepared statement may not be the best approach consider writing a letter and sending it to the entire church body send it on a wednesday afternoon

church resignation letter samples religious group word - Feb 09 2023

web dear pastor john please accept this letter as my official notice for my impending resignation from the great commission church my last day of work will be december 24 20xx my decision to quit has been motivated by my plans to pursue further education

church member resignation letter with samples resumekraft - Dec 27 2021

web aug 2 2023 1 salutation begin your resignation letter with a polite salutation such as dear pastor or dear church leader s name this sets a respectful tone for your letter 2 date and contact information include the date of writing the letter and your contact information such as your full name address phone number and email address

23 sample church religious resignation letters in pdf - Aug 03 2022

web church pastor resignation letter you can resign as a church pastor for a variety of reasons may it be caused by retirement or your decision to voluntarily resign due health issues and concerns it is essential for you to formally bid goodbye to the congregation

how to write a church resignation letter indeed com - Oct 05 2022

web jul 18 2023 typically written to a pastor or other church leader the letter intends to inform the church of your exit it s also used to maintain a positive relationship with other church members staff and leaders and can help you leave a positive impression throughout the process of your exit

best pastor resignation letter sample congregation resignation - Nov 06 2022

web feb 4 2022 a pastor resignation letter or church resignation letter is a professional business letter informing a church administration of the impending resignation of a pastor senior pastor church leader minister deacon youth pastor interim pastor or another church employee

free church resignation letter template download in word - Jun 01 2022

web what is a church resignation letter a church resignation letter is a letter that a youth pastor church pastor a church volunteer or a church employee writes to retire from his her position or membership in the church

sample pastor resignation letter great sample resume - Dec 07 2022

web sample if you have found yourself in the position of needing to resign from your church but cannot quite find the words to say looking at a sample letter can help you get started here is a pastor resignation letter sample detailing

church resignation letters for ministry leaders church letters - Apr 11 2023

web pastor resignation 1 dear board secretary or chairman greetings in the name of our lord and savior jesus christ the purpose of this letter is to inform you that i am resigning my position as pastor of first christian church and *overcoming emotions that destroy practical help for those* - Jul 14 2023

web overcoming emotions that destroy practical help for those angry feelings that ruin relationships chip ingram amazon com tr kitap

overcoming emotions that destroy practical help for - Jan 08 2023

web jun 1 2010 overcoming emotions that destroy practical help for those angry feelings that ruin relationships ingram chip johnson becca 9780801072390

pdf overcoming emotions that destroy practical help for - Apr 30 2022

web in the series overcoming emotions that destroy chip ingram will help you identity whether you are a spewer leaker or stuffer you will learn the difference between good

overcoming emotions that destroy practical help for those - Jun 01 2022

web free essays homework help flashcards research papers book reports term papers history science politics studylib documents flashcards chrome extension login

overcoming emotions that destroy practical help for - Aug 15 2023

web jun 1 2010 overcoming emotions that destroy practical help for those angry feelings that ruin relationships ingram chip johnson becca 9780801072390 amazon com books books

overcoming emotions that destroy practical help for those - Feb 26 2022

web nov 2 2015 the next time you feel a wave of emotions coming try to take slow deep breaths in through your nose out through your mouth grip the opposite forearm in each

overcoming emotions that destroy practical help for those - Jun 13 2023

web may 1 2009 chip ingram becca johnson baker books may 1 2009 religion 272 pages well known teacher and speaker chip ingram teams up with psychologist and

overcoming emotions that destroy practical help for those - Feb 09 2023

web overcoming emotions that destroy practical help for those angry feelings that ruin relationships audiobook written by chip ingram narrated by chip ingram get instant

how to control overwhelming emotions steps to recovery - Dec 27 2021

web nov 15 2021 coping techniques to help you handle overwhelming emotions in a positive way sign in join us 0203 326 9160 0203 761 7026 0203 761 7027 0203 761 7029

how to cope with overwhelming emotions clinical partners - Nov 25 2021

web may 1 2009 *overcoming emotions that destroy practical help for those angry feelings that ruin relationships* kindle edition by ingram chip johnson becca

[what to do when your emotions overwhelm you psychology](#) - Jan 28 2022

web aug 12 2021 it helps to exercise do yoga meditate take deep breaths and maintain a regular sleep schedule cut down on stress try to remove the stress triggers in your

[overcoming emotions that destroy study guide google books](#) - Dec 07 2022

web chip ingram living on the edge with chip ingram 2011 anger 88 pages well known teacher and speaker chip ingram teams up with psychologist and author dr becca

overcoming emotions that destroy practical help for those - Oct 25 2021

web *overcoming emotions that destroy practical help for those angry feelings that ruin relationships* chip ingram and becca johnson p cm includes bibliographical

overcoming emotions that destroy baker publishing group - Sep 23 2021

overcoming emotions that destroy rightnow media - Mar 30 2022

web *overcoming emotions that destroy practical help for those angry feelings that ruin relationships* baker publishing group 2009 chip ingram dr becca johnson

overcoming emotions that destroy practical help for those - Aug 03 2022

web *overcoming emotions that destroy practical help for those angry feelings that ruin relationships* chip ingram and becca johnson p cm includes bibliographical

[overcoming emotions that destroy practical help for](#) - Apr 11 2023

web buy *overcoming emotions that destroy practical help for those angry feelings that ruin relationships* illustrated by ingram chip johnson rebecca isbn

overcoming emotions that destroy living on the edge - Oct 05 2022

web in the series *overcoming emotions that destroy* chip ingram will help you identify whether you are a spewer leaker or stuffer you will learn the difference between good

overcoming emotions that destroy practical help for - Nov 06 2022

web jun 1 2010 well known teacher and speaker chip ingram teams up with psychologist and author dr becca johnson in this encouraging and practical book showing how many

overcoming emotions that destroy practical help for those - Mar 10 2023

web *overcoming emotions that destroy practical help for those angry feelings* chip ingram becca johnson google books we all

struggle with angry feelings brought on

overcoming emotions that destroy baker publishing group - Jul 02 2022

web may 1 2009 4 6 433 ratings see all formats and editions well known teacher and speaker chip ingram teams up with psychologist and author dr becca johnson in this

overcoming emotions that destroy practical help for those - May 12 2023

web overcoming emotions that destroy practical help for those angry feelings that ruin relationships ebook written by chip ingram becca johnson read this book using

overcoming emotions that destroy practical help for those - Sep 04 2022

web overcoming emotions that destroy practical help for those angry feelings that ruin relationships by chip ingram becca johnson publisher baker 2009 isbn

raw amateur models leigh vol 2 naked and nude tit - Feb 17 2022

web research institute in 1939 by mrs benjamin leigh smith for the first time chermshire s diaries are published in their entirety with the original photographs shown alongside

raw amateur models leigh vol 2 naked and nude tit - Aug 26 2022

web raw amateur models leigh vol 2 naked and nude tit can be taken as skillfully as picked to act jane eyre charlotte bronte 2021 01 07 primarily of the bildungsroman

raw amateur models leigh vol 2 naked and nude tit book - Apr 02 2023

web oct 10 2023 amateur models leigh vol 2 naked and nude tit a literary masterpiece penned with a renowned author readers set about a transformative journey unlocking

raw amateur models leigh vol 2 naked and nude tit pdf - Jan 31 2023

web jul 23 2023 this raw amateur models leigh vol 2 naked and nude tit as one of the most on the go sellers here will completely be along with the best options to review

raw amateur models leigh vol 2 naked and nude tit j - Mar 01 2023

web raw amateur models leigh vol 2 naked and nude tit raw amateur models leigh vol 2 naked and nude tit 3 downloaded from darelova com on 2023 07 25 by guest

raw amateur models leigh vol 2 naked and nude tit pdf - Jul 05 2023

web this raw amateur models leigh vol 2 naked and nude tit as one of the most on the go sellers here will definitely be in the course of the best options to review sustainable

raw amateur models leigh vol 2 naked and nude tit 2023 - Jun 04 2023

web raw amateur models leigh vol 2 naked and nude tit downloaded from store1 shops widebot net by guest mckayla efrain

work brill leigh claire la berge

raw amateur models leigh vol 1 naked and nude tits - Sep 07 2023

web aug 31 2012 raw amateur models leigh vol 1 naked and nude tits boobs breasts and pussy glamour bbw chubby fat photos kindle edition by raw amateur

raw amateur models leigh vol 2 naked and nude tit pdf - Nov 16 2021

web jul 31 2023 raw amateur models leigh vol 2 naked and nude tit 2 9 downloaded from uniport edu ng on july 31 2023 by guest scaffolding of information infrastructures in

raw amateur models leigh vol 1 naked and nude tits - May 03 2023

web raw amateur models leigh vol 1 naked and nude tits boobs breasts and pussy glamour bbw chubby fat photos ebook raw amateur models amazon co uk

raw amateur models leigh vol 2 naked and nude tit copy - Dec 18 2021

web oct 8 2023 raw amateur models leigh vol 2 naked and nude tit 2 9 downloaded from uniport edu ng on october 8 2023 by guest documents shifts in governance throughout

raw amateur models leigh vol 2 naked and nude tit book - Apr 21 2022

web aug 5 2023 raw amateur models leigh vol 2 naked and nude tit raw amateur models leigh vol 2 naked and nude tit 2 downloaded from cioal com on 2020 05

raw amateur models leigh vol 2 naked and nude tit book - Nov 28 2022

web raw amateur models leigh vol 2 naked and nude tit raw amateur models leigh vol 2 naked and nude tit 2 downloaded from waptac org on 2021 11 17 by guest

raw amateur models leigh vol 2 naked and nude tits - Oct 08 2023

web sep 3 2012 raw amateur models leigh vol 2 naked and nude tits boobs breasts and pussy glamour bbw chubby fat photos raw amateur models my girlfriend s

raw amateur models leigh vol 2 naked and nude tit - May 23 2022

web 2 2 raw amateur models leigh vol 2 naked and nude tit 2022 05 16 raw amateur models leigh vol 2 naked and nude tit downloaded from analytics mirowin com by

raw amateur models leigh vol 2 naked and nude tit 2022 - Sep 26 2022

web raw amateur models leigh vol 2 naked and nude tit downloaded from web1 kdhx org by guest davenport moody living and learning with new media mit press

raw amateur models leigh vol 2 naked and nude tit - Mar 21 2022

web oct 1 2023 raw amateur models leigh vol 2 naked and nude tit 2 10 downloaded from uniport edu ng on october 1 2023

by guest rogue cop series post apocalypse films

raw amateur models leigh vol 2 naked and nude tit 2022 - Jun 23 2022

web amateur work illustrated wkinomics raw amateur models leigh vol 2 naked and nude tit downloaded from ai classmonitor com by guest riley autumn the

raw amateur models leigh vol 2 naked and nude tit pdf - Dec 30 2022

web oct 3 2023 raw amateur models leigh vol 2 naked and nude tit 1 13 downloaded from uniport edu ng on october 3 2023 by guest raw amateur models leigh vol 2 naked

raw amateur models leigh vol 2 naked and nude tit - Jul 25 2022

web raw amateur models leigh vol 2 naked and nude tit downloaded from secure mowtampa org by guest camila kennedi the northwestern miller penguin

raw amateur models leigh vol 2 naked and nude tit full pdf - Aug 06 2023

web in my series sexy latvian models to see if you don t agree warning strictly for adults you should be 18 to buy this uncensored explicit adult nude art this publication contains

raw amateur models leigh vol 2 naked and nude tit pdf - Jan 19 2022

web oct 1 2023 raw amateur models leigh vol 2 naked and nude tit 1 8 downloaded from uniport edu ng on october 1 2023 by guest raw amateur models leigh vol 2 naked

raw amateur models leigh vol 2 naked and nude tit ftp - Oct 28 2022

web raw amateur models leigh vol 2 naked and nude tit downloaded from ftp adaircountymissouri com by guest townsend koch popular mechanics macmillan