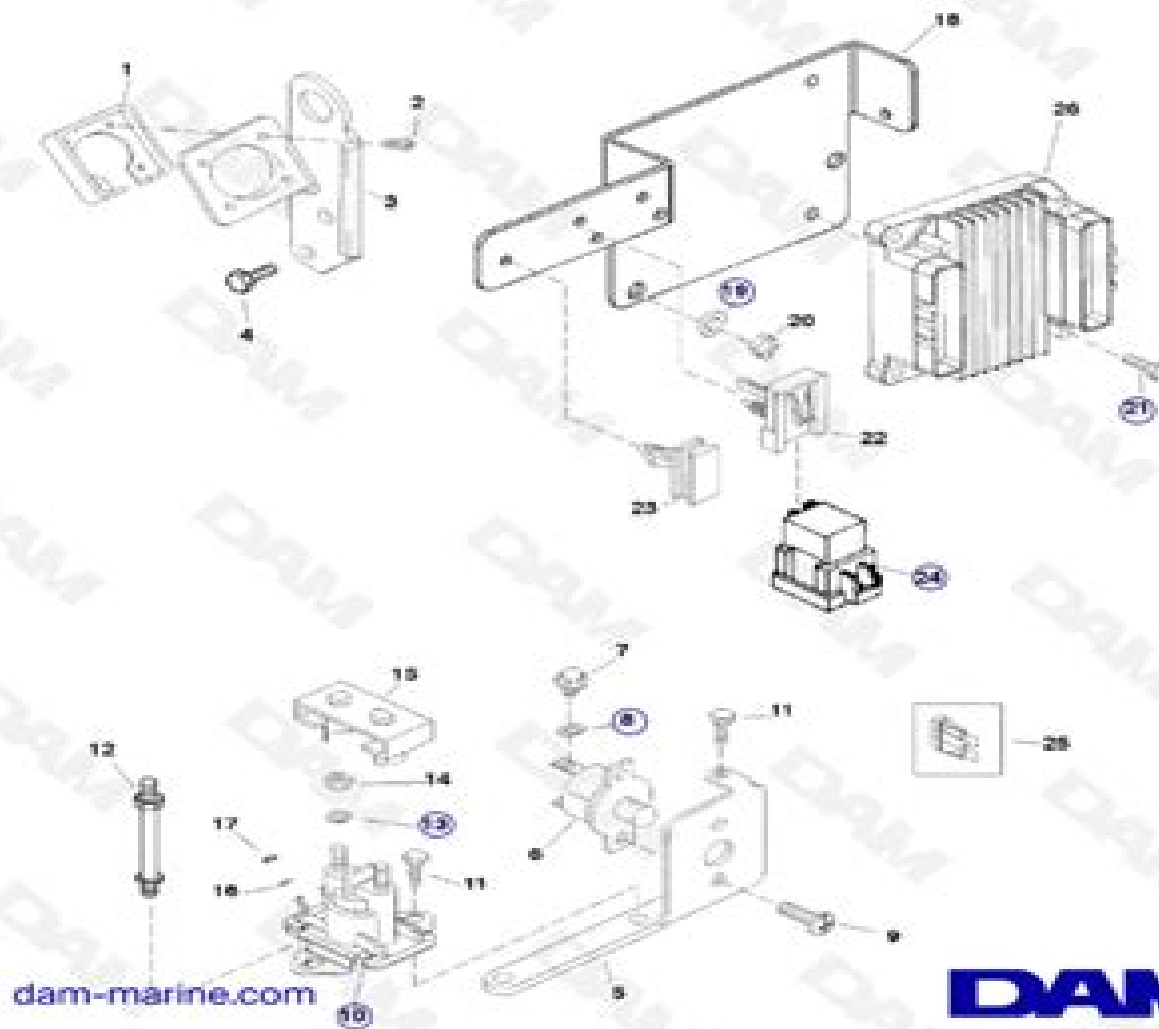


MERCURUISER (5.0L EFI GM 305 V-8 1999-2001)Serial Nbr Range: 0L301631 THRU 0M299999 ()



Mcm 5 0l Efi Belt Diagram

Judd E. Hollander



Mcm 5 0l Efi Belt Diagram:

When people should go to the book stores, search initiation by shop, shelf by shelf, it is in reality problematic. This is why we provide the book compilations in this website. It will enormously ease you to look guide **Mcm 5 0l Efi Belt Diagram** as you such as.

By searching the title, publisher, or authors of guide you in point of fact want, you can discover them rapidly. In the house, workplace, or perhaps in your method can be every best area within net connections. If you intend to download and install the Mcm 5 0l Efi Belt Diagram, it is enormously simple then, back currently we extend the belong to to buy and make bargains to download and install Mcm 5 0l Efi Belt Diagram consequently simple!

<https://staging.conocer.cide.edu/files/uploaded-files/Documents/Hmrc%20Inheritance%20Tax%20Customer%20Guide.pdf>

Table of Contents Mcm 5 0l Efi Belt Diagram

1. Understanding the eBook Mcm 5 0l Efi Belt Diagram
 - The Rise of Digital Reading Mcm 5 0l Efi Belt Diagram
 - Advantages of eBooks Over Traditional Books
2. Identifying Mcm 5 0l Efi Belt Diagram
 - Exploring Different Genres
 - Considering Fiction vs. Non-Fiction
 - Determining Your Reading Goals
3. Choosing the Right eBook Platform
 - Popular eBook Platforms
 - Features to Look for in an Mcm 5 0l Efi Belt Diagram
 - User-Friendly Interface
4. Exploring eBook Recommendations from Mcm 5 0l Efi Belt Diagram
 - Personalized Recommendations
 - Mcm 5 0l Efi Belt Diagram User Reviews and Ratings
 - Mcm 5 0l Efi Belt Diagram and Bestseller Lists

5. Accessing Mcm 5 0l Efi Belt Diagram Free and Paid eBooks
 - Mcm 5 0l Efi Belt Diagram Public Domain eBooks
 - Mcm 5 0l Efi Belt Diagram eBook Subscription Services
 - Mcm 5 0l Efi Belt Diagram Budget-Friendly Options
6. Navigating Mcm 5 0l Efi Belt Diagram eBook Formats
 - ePub, PDF, MOBI, and More
 - Mcm 5 0l Efi Belt Diagram Compatibility with Devices
 - Mcm 5 0l Efi Belt Diagram Enhanced eBook Features
7. Enhancing Your Reading Experience
 - Adjustable Fonts and Text Sizes of Mcm 5 0l Efi Belt Diagram
 - Highlighting and Note-Taking Mcm 5 0l Efi Belt Diagram
 - Interactive Elements Mcm 5 0l Efi Belt Diagram
8. Staying Engaged with Mcm 5 0l Efi Belt Diagram
 - Joining Online Reading Communities
 - Participating in Virtual Book Clubs
 - Following Authors and Publishers Mcm 5 0l Efi Belt Diagram
9. Balancing eBooks and Physical Books Mcm 5 0l Efi Belt Diagram
 - Benefits of a Digital Library
 - Creating a Diverse Reading Collection Mcm 5 0l Efi Belt Diagram
10. Overcoming Reading Challenges
 - Dealing with Digital Eye Strain
 - Minimizing Distractions
 - Managing Screen Time
11. Cultivating a Reading Routine Mcm 5 0l Efi Belt Diagram
 - Setting Reading Goals Mcm 5 0l Efi Belt Diagram
 - Carving Out Dedicated Reading Time
12. Sourcing Reliable Information of Mcm 5 0l Efi Belt Diagram
 - Fact-Checking eBook Content of Mcm 5 0l Efi Belt Diagram
 - Distinguishing Credible Sources
13. Promoting Lifelong Learning

- Utilizing eBooks for Skill Development
 - Exploring Educational eBooks
14. Embracing eBook Trends
- Integration of Multimedia Elements
 - Interactive and Gamified eBooks

Mcm 5 0l Efi Belt Diagram Introduction

In the digital age, access to information has become easier than ever before. The ability to download Mcm 5 0l Efi Belt Diagram has revolutionized the way we consume written content. Whether you are a student looking for course material, an avid reader searching for your next favorite book, or a professional seeking research papers, the option to download Mcm 5 0l Efi Belt Diagram has opened up a world of possibilities. Downloading Mcm 5 0l Efi Belt Diagram provides numerous advantages over physical copies of books and documents. Firstly, it is incredibly convenient. Gone are the days of carrying around heavy textbooks or bulky folders filled with papers. With the click of a button, you can gain immediate access to valuable resources on any device. This convenience allows for efficient studying, researching, and reading on the go. Moreover, the cost-effective nature of downloading Mcm 5 0l Efi Belt Diagram has democratized knowledge. Traditional books and academic journals can be expensive, making it difficult for individuals with limited financial resources to access information. By offering free PDF downloads, publishers and authors are enabling a wider audience to benefit from their work. This inclusivity promotes equal opportunities for learning and personal growth. There are numerous websites and platforms where individuals can download Mcm 5 0l Efi Belt Diagram. These websites range from academic databases offering research papers and journals to online libraries with an expansive collection of books from various genres. Many authors and publishers also upload their work to specific websites, granting readers access to their content without any charge. These platforms not only provide access to existing literature but also serve as an excellent platform for undiscovered authors to share their work with the world. However, it is essential to be cautious while downloading Mcm 5 0l Efi Belt Diagram. Some websites may offer pirated or illegally obtained copies of copyrighted material. Engaging in such activities not only violates copyright laws but also undermines the efforts of authors, publishers, and researchers. To ensure ethical downloading, it is advisable to utilize reputable websites that prioritize the legal distribution of content. When downloading Mcm 5 0l Efi Belt Diagram, users should also consider the potential security risks associated with online platforms. Malicious actors may exploit vulnerabilities in unprotected websites to distribute malware or steal personal information. To protect themselves, individuals should ensure their devices have reliable antivirus software installed and validate the legitimacy of the websites they are downloading from. In conclusion, the ability to download Mcm 5 0l Efi Belt

Diagram has transformed the way we access information. With the convenience, cost-effectiveness, and accessibility it offers, free PDF downloads have become a popular choice for students, researchers, and book lovers worldwide. However, it is crucial to engage in ethical downloading practices and prioritize personal security when utilizing online platforms. By doing so, individuals can make the most of the vast array of free PDF resources available and embark on a journey of continuous learning and intellectual growth.

FAQs About Mcm 5 0l Efi Belt Diagram Books

How do I know which eBook platform is the best for me? Finding the best eBook platform depends on your reading preferences and device compatibility. Research different platforms, read user reviews, and explore their features before making a choice. Are free eBooks of good quality? Yes, many reputable platforms offer high-quality free eBooks, including classics and public domain works. However, make sure to verify the source to ensure the eBook credibility. Can I read eBooks without an eReader? Absolutely! Most eBook platforms offer web-based readers or mobile apps that allow you to read eBooks on your computer, tablet, or smartphone. How do I avoid digital eye strain while reading eBooks? To prevent digital eye strain, take regular breaks, adjust the font size and background color, and ensure proper lighting while reading eBooks. What the advantage of interactive eBooks? Interactive eBooks incorporate multimedia elements, quizzes, and activities, enhancing the reader engagement and providing a more immersive learning experience. Mcm 5 0l Efi Belt Diagram is one of the best book in our library for free trial. We provide copy of Mcm 5 0l Efi Belt Diagram in digital format, so the resources that you find are reliable. There are also many Ebooks of related with Mcm 5 0l Efi Belt Diagram. Where to download Mcm 5 0l Efi Belt Diagram online for free? Are you looking for Mcm 5 0l Efi Belt Diagram PDF? This is definitely going to save you time and cash in something you should think about.

Find Mcm 5 0l Efi Belt Diagram :

hmrc inheritance tax customer guide

[hkdse english mock paper 1 answer](#)

hkcee english paper 2

[hitachi ultravision digital hdtv manual](#)

[hlth 5sample quiz questions](#)

hitachi zaxis zx200 3 zx225 3 zx240 3 zx270 3 service manual

hitachi zaxis 200 manual

[hitachi l200 manual](#)

[hitachi zx135 service manual](#)

[hnc graded unit examples fitness](#)

[hitachi 36ux59b tvs owners manual](#)

[hoa paper 2 ib markscheme](#)

[hobie 1996 jet boat manual](#)

hitachi 50vg825 55vg825 60vg825 service manual repair guide

[hitachi window air conditioner user manual](#)

Mcm 5 0l Efi Belt Diagram :

THE NEW CANNABIS BREEDING: Complete ... THE NEW CANNABIS BREEDING: Complete Guide To Breeding and Growing Cannabis The Easiest Way [DAVID, DR ... English. Publication date. May 5, 2020. Dimensions. 5.5 ... Amazon.com: THE NEW CANNABIS BREEDING ... Cannabis Breeding isn't just a technical manual, it's a fresh, energetic take on the genetic history and future of cannabis; not just the plant's origins and ... Complete Guide To Breeding and Growing Cannabis The ... May 5, 2020 — The New Cannabis Breeding: Complete Guide To Breeding and Growing Cannabis The Easiest Way (Paperback). By Elizabeth David. \$10.99. Not in stock ... Cannabis Breeding for Starters: Complete Guide ... Jun 23, 2020 — Cannabis Breeding for Starters: Complete Guide To Marijuana Genetics, Cannabis ... Publication Date: June 23rd, 2020. Pages: 42. Language: English. The Complete Guide to Cultivation of Marijuana ... Jan 24, 2021 — Cannabis Breeding: The Complete Guide to Cultivation of Marijuana for Medical and Recreational Use (Paperback). Complete Guide To Breeding and Growing Cannabis Th... The New Cannabis Breeding: Complete Guide To Breeding and Growing Cannabis The Easiest Way by David, Elizabeth, ISBN 9798643447283, ISBN-13 9798643447283, ... Cannabis Breeding - Boswell Book Company Cannabis Breeding: The Definitive Guide to Growing and Breeding Marijuana for Recreational and Medicinal Use (Paperback) ; ISBN: 9781711539379 ; ISBN-10: ... Your book guide to breeding the best cannabis strain ... May 2, 2020 — Readers of this complete guide to expert breeding techniques will learn about the new age cultivars, trendy cannabis hybrids, and how to develop ... CANNABIS BREEDING 100% GUIDE: The ... May 6, 2021 — CANNABIS BREEDING 100% GUIDE: The Definitive Guide to Marijuana Genetics, Cannabis Botany and Growing Cannabis The Easiest Way & Cultivating ... Your book guide to breeding the best cannabis strain ... May 2, 2020 — Readers of this complete guide to expert breeding techniques will learn about the new age cultivars, trendy cannabis hybrids, and how to develop ... Contract Law (Hart Law Masters) by Ewan McKendrick The 15th edition of Ewan McKendrick KC's bestselling textbook is the go-to resource for all students of contract

law. Contract Law: Text, Cases, and Materials - Ewan McKendrick The sixth edition of Ewan McKendrick's Contract Law: Text, Cases, and Materials provides a complete guide to the subject in a single volume, ... Ewan McKendrick - Contract Law (13th ed.) A comprehensive and bestselling textbook on Contract Law that covers core areas such as the formation of a contract, what goes into a contract, how to e.. Contract Law by E McKendrick · Cited by 77 — EWAN McKENDRICK has updated his popular textbook which explores the underlying themes and explains the basic rules of English contract law. He introduces the ... Contract Law - Ewan McKendrick A complete guide to contract law in a single volume. Comprising a unique balance of 60% text to 40% cases and materials, Contract Law: Text, Cases, and ... Contract Law: Text, Cases and Materials A complete guide to contract law in a single volume; author commentary, carefully chosen cases, and extracts from academic materials complement each other ... Contract Law by Ewan McKendrick, Paperback The 15th edition of Ewan McKendrick KC's bestselling textbook is the go-to resource for all students of contract law. It combines a clear and. Contract Law - Ewan McKendrick ... May 25, 2023 — The 15th edition of Ewan McKendrick KC's bestselling textbook is the go-to resource for all students of contract law. Contract Law - Paperback - Ewan McKendrick The market-leading stand-alone guide to contract law from a renowned lawyer; authoritative, comprehensive, and supportive. Contract Law - Ewan McKendrick May 25, 2023 — The 15th edition of Ewan McKendrick KC's bestselling textbook is the go-to resource for all students of contract law. STAGES OF THE HUMAN MENSTRUAL CYCLE May 28, 2019 — LAB. Period. Date. STAGES OF THE HUMAN MENSTRUAL CYCLE. When a human female is born, her ovaries already contain all the immature eggs that will ... LAB: STAGES OF THE HUMAN MENSTRUAL CYCLE When a human female is born, her ovaries already contain all the immature eggs that will later mature and produce functional eggs during her lifetime. LAB ____ . STAGES OF THE HUMAN MENSTRUAL CYCLE When a human female is born, her ovaries already contain all the immature eggs that will later mature and produce functional eggs during her lifetime. Menstrual Cycle Graphing - Lab #12 Purpose: The purpose of this laboratory experience is: to examine the events of the human menstrual cycle with regard to hormone levels, ovarian function, and ... Menstrual Cycle Lab Flashcards Study with Quizlet and memorize flashcards containing terms like What gland secretes FSH (follicle-stimulating hormone)?, On what day does the FSH reach its ... LAB ____ . STAGES OF THE HUMAN MENSTRUAL CYCLE When a human female is born, her ovaries already contain all the immature eggs that will later mature and produce functional eggs during her lifetime. Menstrual cycle lab and graphs Menstrual cycle lab and graphs. Ch 36. Menstrual cycle (ovulation). The Menstrual Cycle; About every 28 days, some blood and other products of the ... Follicle-Stimulating Hormone (FSH) Levels Test by FSHFSHL Test — This test measures the level of follicle-stimulating hormone (FSH) in your blood. FSH affects sexual development in children and fertility ... Top Labs To Run Bi-Annually On Your Irregular Menstrual ... Aug 7, 2023 — Lab tests like anti-Müllerian hormone (AMH) and follicle-stimulating hormone (FSH) levels provide a comprehensive overview of ovarian function.