

## □ Threading the upper thread / Enhebrado del hilo superior

**Caution:** Before threading, turn power switch to "off"

Raise the needle bar to its highest position.

Follow exactly the numbered threading sequence illustrated below. If you skip a step or fail to properly engage the thread in any of the thread guides, the machine will not sew properly (Fig. 1-5).

Continue to draw the thread down and into the needle bar thread guide.

Insert the thread through the eye of the needle from front to back.

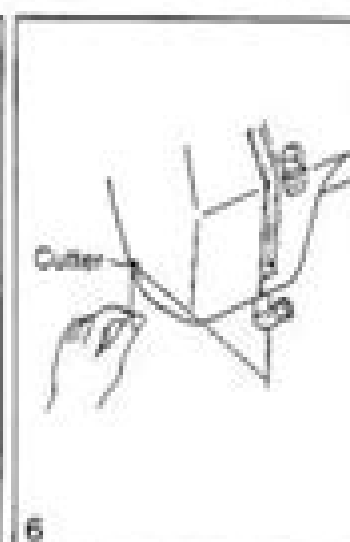
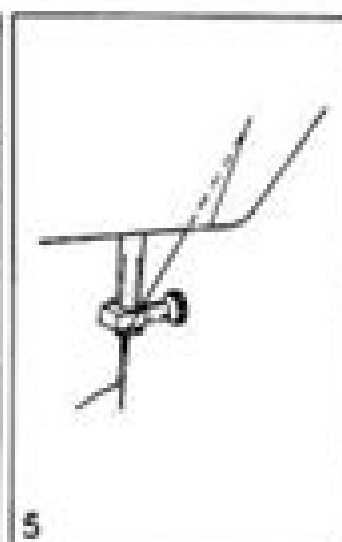
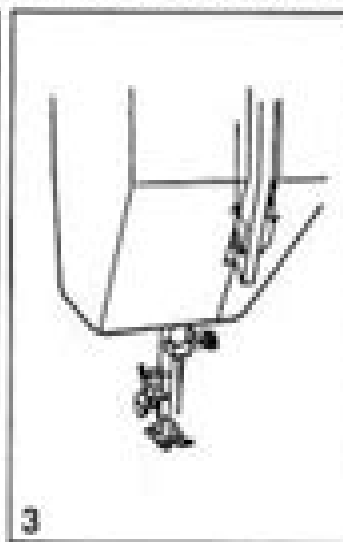
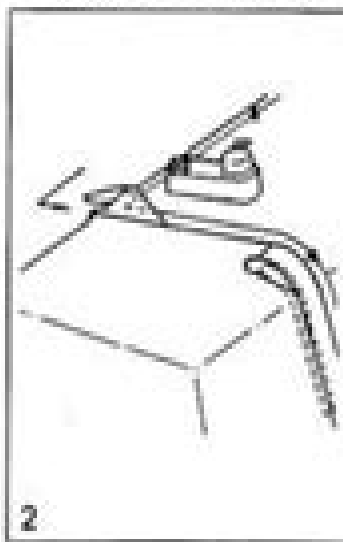
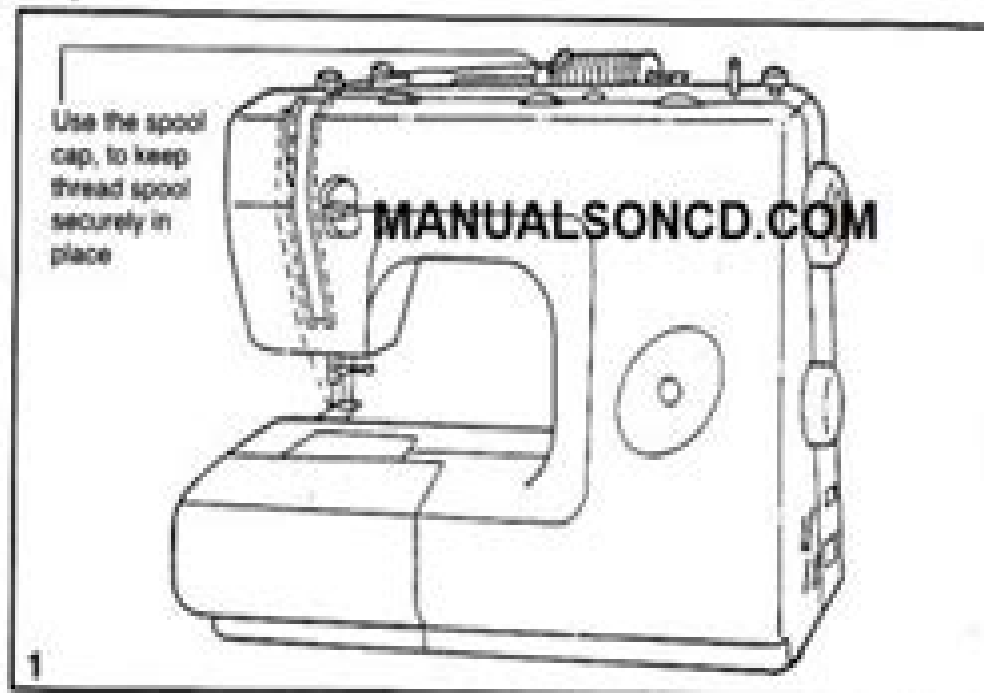
Leave about 10 cm. (4") of thread loose behind the needle (Fig. 5).

**Atención:**

El interruptor principal tiene que estar a "off" Subir la prensatela.

Enhebre la aguja por las siguientes posiciones: Guía de hilo de tapa superior, regulador de tensión, muelle de trahilos, palanca trahilos, gancho del brazo, gancho de la barra de aguja. (1-5)

Enhebre la aguja pasando el hilo desde el frente hacia el reverso por el ojo de la aguja y deje más o menos 10 cm (4 pulgadas) hilo. (5)



# Euro Pro Sewing Machine Instruction Manual

**ML Morrison**



## **Euro Pro Sewing Machine Instruction Manual:**

*Knitting Times* ,1995    *Threads Magazine* ,2002    *Apparel International* ,1995    *Moody's International Manual* ,2000    *The Underground Shopper* Sue Goldstein,1997    **Industrial Fabric Products Review** ,1993    **Unity** ,1884  
*The Farmer and Mechanic* William Holt Starr,John Milton Stearn,1849    **JTN** ,1993    **Europlastics Monthly** ,1972  
*The Textile Magazine* ,2001    **The New-England Farmer** Samuel Deane,1822    **Scientific American** ,1867  
Monthly magazine devoted to topics of general scientific interest    A Dictionary of Science, Literature and Art, Comprising the Definitions and Derivations of the Scientific Terms in General Use ... William Thomas Brande,1875    *The Furniture Gazette* ,1888    **Frank Leslie's Illustrated Newspaper** John Albert Sleicher,1878    **A Dictionary of Science, Literature, & Art** William Thomas Brande,George William Cox,1867    The New-England Farmer; or, Geographical dictionary: containing a compendious account of the ways and methods in which the most important of husbandry ... is, or may be, practised to the greatest advantage in this country Samuel DEANE (Pastor of the First Church in Portland, Mass.),1822  
**Popular Science** ,1974    **Colliery Engineer** ,1893

Getting the books **Euro Pro Sewing Machine Instruction Manual** now is not type of inspiring means. You could not abandoned going behind books heap or library or borrowing from your associates to log on them. This is an totally simple means to specifically acquire lead by on-line. This online revelation Euro Pro Sewing Machine Instruction Manual can be one of the options to accompany you taking into account having new time.

It will not waste your time. acknowledge me, the e-book will extremely freshen you other issue to read. Just invest tiny get older to entrance this on-line statement **Euro Pro Sewing Machine Instruction Manual** as without difficulty as evaluation them wherever you are now.

<https://staging.conocer.cide.edu/About/detail/default.aspx/Geometry%20Unit%2010%20Test%20Answers%20Test.pdf>

## **Table of Contents Euro Pro Sewing Machine Instruction Manual**

1. Understanding the eBook Euro Pro Sewing Machine Instruction Manual
  - The Rise of Digital Reading Euro Pro Sewing Machine Instruction Manual
  - Advantages of eBooks Over Traditional Books
2. Identifying Euro Pro Sewing Machine Instruction Manual
  - Exploring Different Genres
  - Considering Fiction vs. Non-Fiction
  - Determining Your Reading Goals
3. Choosing the Right eBook Platform
  - Popular eBook Platforms
  - Features to Look for in an Euro Pro Sewing Machine Instruction Manual
  - User-Friendly Interface
4. Exploring eBook Recommendations from Euro Pro Sewing Machine Instruction Manual
  - Personalized Recommendations
  - Euro Pro Sewing Machine Instruction Manual User Reviews and Ratings
  - Euro Pro Sewing Machine Instruction Manual and Bestseller Lists

5. Accessing Euro Pro Sewing Machine Instruction Manual Free and Paid eBooks
  - Euro Pro Sewing Machine Instruction Manual Public Domain eBooks
  - Euro Pro Sewing Machine Instruction Manual eBook Subscription Services
  - Euro Pro Sewing Machine Instruction Manual Budget-Friendly Options
6. Navigating Euro Pro Sewing Machine Instruction Manual eBook Formats
  - ePub, PDF, MOBI, and More
  - Euro Pro Sewing Machine Instruction Manual Compatibility with Devices
  - Euro Pro Sewing Machine Instruction Manual Enhanced eBook Features
7. Enhancing Your Reading Experience
  - Adjustable Fonts and Text Sizes of Euro Pro Sewing Machine Instruction Manual
  - Highlighting and Note-Taking Euro Pro Sewing Machine Instruction Manual
  - Interactive Elements Euro Pro Sewing Machine Instruction Manual
8. Staying Engaged with Euro Pro Sewing Machine Instruction Manual
  - Joining Online Reading Communities
  - Participating in Virtual Book Clubs
  - Following Authors and Publishers Euro Pro Sewing Machine Instruction Manual
9. Balancing eBooks and Physical Books Euro Pro Sewing Machine Instruction Manual
  - Benefits of a Digital Library
  - Creating a Diverse Reading Collection Euro Pro Sewing Machine Instruction Manual
10. Overcoming Reading Challenges
  - Dealing with Digital Eye Strain
  - Minimizing Distractions
  - Managing Screen Time
11. Cultivating a Reading Routine Euro Pro Sewing Machine Instruction Manual
  - Setting Reading Goals Euro Pro Sewing Machine Instruction Manual
  - Carving Out Dedicated Reading Time
12. Sourcing Reliable Information of Euro Pro Sewing Machine Instruction Manual
  - Fact-Checking eBook Content of Euro Pro Sewing Machine Instruction Manual
  - Distinguishing Credible Sources
13. Promoting Lifelong Learning

- Utilizing eBooks for Skill Development
  - Exploring Educational eBooks
14. Embracing eBook Trends
- Integration of Multimedia Elements
  - Interactive and Gamified eBooks

### **Euro Pro Sewing Machine Instruction Manual Introduction**

In today's digital age, the availability of Euro Pro Sewing Machine Instruction Manual books and manuals for download has revolutionized the way we access information. Gone are the days of physically flipping through pages and carrying heavy textbooks or manuals. With just a few clicks, we can now access a wealth of knowledge from the comfort of our own homes or on the go. This article will explore the advantages of Euro Pro Sewing Machine Instruction Manual books and manuals for download, along with some popular platforms that offer these resources. One of the significant advantages of Euro Pro Sewing Machine Instruction Manual books and manuals for download is the cost-saving aspect. Traditional books and manuals can be costly, especially if you need to purchase several of them for educational or professional purposes. By accessing Euro Pro Sewing Machine Instruction Manual versions, you eliminate the need to spend money on physical copies. This not only saves you money but also reduces the environmental impact associated with book production and transportation. Furthermore, Euro Pro Sewing Machine Instruction Manual books and manuals for download are incredibly convenient. With just a computer or smartphone and an internet connection, you can access a vast library of resources on any subject imaginable. Whether you're a student looking for textbooks, a professional seeking industry-specific manuals, or someone interested in self-improvement, these digital resources provide an efficient and accessible means of acquiring knowledge. Moreover, PDF books and manuals offer a range of benefits compared to other digital formats. PDF files are designed to retain their formatting regardless of the device used to open them. This ensures that the content appears exactly as intended by the author, with no loss of formatting or missing graphics. Additionally, PDF files can be easily annotated, bookmarked, and searched for specific terms, making them highly practical for studying or referencing. When it comes to accessing Euro Pro Sewing Machine Instruction Manual books and manuals, several platforms offer an extensive collection of resources. One such platform is Project Gutenberg, a nonprofit organization that provides over 60,000 free eBooks. These books are primarily in the public domain, meaning they can be freely distributed and downloaded. Project Gutenberg offers a wide range of classic literature, making it an excellent resource for literature enthusiasts. Another popular platform for Euro Pro Sewing Machine Instruction Manual books and manuals is Open Library. Open Library is an initiative of the Internet Archive, a non-profit organization dedicated to digitizing cultural artifacts and making them accessible to the public. Open

Library hosts millions of books, including both public domain works and contemporary titles. It also allows users to borrow digital copies of certain books for a limited period, similar to a library lending system. Additionally, many universities and educational institutions have their own digital libraries that provide free access to PDF books and manuals. These libraries often offer academic texts, research papers, and technical manuals, making them invaluable resources for students and researchers. Some notable examples include MIT OpenCourseWare, which offers free access to course materials from the Massachusetts Institute of Technology, and the Digital Public Library of America, which provides a vast collection of digitized books and historical documents. In conclusion, Euro Pro Sewing Machine Instruction Manual books and manuals for download have transformed the way we access information. They provide a cost-effective and convenient means of acquiring knowledge, offering the ability to access a vast library of resources at our fingertips. With platforms like Project Gutenberg, Open Library, and various digital libraries offered by educational institutions, we have access to an ever-expanding collection of books and manuals. Whether for educational, professional, or personal purposes, these digital resources serve as valuable tools for continuous learning and self-improvement. So why not take advantage of the vast world of Euro Pro Sewing Machine Instruction Manual books and manuals for download and embark on your journey of knowledge?

### **FAQs About Euro Pro Sewing Machine Instruction Manual Books**

How do I know which eBook platform is the best for me? Finding the best eBook platform depends on your reading preferences and device compatibility. Research different platforms, read user reviews, and explore their features before making a choice. Are free eBooks of good quality? Yes, many reputable platforms offer high-quality free eBooks, including classics and public domain works. However, make sure to verify the source to ensure the eBook credibility. Can I read eBooks without an eReader? Absolutely! Most eBook platforms offer web-based readers or mobile apps that allow you to read eBooks on your computer, tablet, or smartphone. How do I avoid digital eye strain while reading eBooks? To prevent digital eye strain, take regular breaks, adjust the font size and background color, and ensure proper lighting while reading eBooks. What the advantage of interactive eBooks? Interactive eBooks incorporate multimedia elements, quizzes, and activities, enhancing the reader engagement and providing a more immersive learning experience. Euro Pro Sewing Machine Instruction Manual is one of the best book in our library for free trial. We provide copy of Euro Pro Sewing Machine Instruction Manual in digital format, so the resources that you find are reliable. There are also many Ebooks of related with Euro Pro Sewing Machine Instruction Manual. Where to download Euro Pro Sewing Machine Instruction Manual online for free? Are you looking for Euro Pro Sewing Machine Instruction Manual PDF? This is definitely going to save you time and cash in something you should think about.

**Find Euro Pro Sewing Machine Instruction Manual :**

*geometry unit 10 test answers test*

**geometry chapter 6 barrington high school**

*geometry chapter crossword puzzle*

**geometry unit 1 test review**

*geometry spring 2014 sol released test answers*

*geometry midsegment worksheet answer*

**geometry chapter 12 practice test**

*geometry ready to go on section 3a pretest answers*

**geometry chapter 8 quiz answers**

*geometry resource answers medougal lesson 8 3*

**george orwell collected essays journalism and letters**

**geometry unit 12 circles test**

**geometry if8764 circles**

*geometry test holt geometry*

**geometry standardized test practice answers carnegie learning chapter 3**

**Euro Pro Sewing Machine Instruction Manual :**

**physical sciences paper 1 grade 12 memorandum nsc exams past papers** - Aug 02 2022

web mar 7 2022 physical sciences physics paper 1 grade 12 national senior certificate memorandum november 2020

question 1 1 1 b 2 1 2 d 2 1 3 c 2 1 4 c 2 1 5 c 2 1 6 a 2 1 7 a 2 1 8 d 2 1 9 a 2 1 10 b 2 20 question 2 2 1 marking criteria

*physical sciences paper 1 memorandum grade 12 september* - May 31 2022

web mar 3 2022 physical sciences paper 1 memorandum grade 12 september 2021 preparatory exams elimuza access to

education thursday 03 march 2022 06 48 physical sciences paper 1 memorandum grade 12

*grade 11 november 2022 physical sciences* - Jul 13 2023

web 6 1 1 calculate the number of electrons that were removed from q 1 to give it a charge of  $4.5 \times 10^{-9}$  c assume that the

sphere was neutral before being charged 3 6 1 2 draw a labelled free body diagram showing all the forces acting on sphere q

1 3 6 1 3 state coulomb s law in words 2

**2021 p5 science practice paper 1 scgs pdf sg exam** - Jul 01 2022



web feb 1 2022 2021 p5 science weighted assessment 1 catholic high pdf 2021 p5 science weighted assessment 1 henry park pdf 2021 p5 science weighted assessment 1 maha bodhi pdf

*grade 11 physical science ps physics november paper 1 and memo - Oct 04 2022*

web grade 11 physical sciences november paper 1 and memo total 150 marks this exam paper covers the following work physics vectors in 2d newton s laws newton s universal law electrostatics electromagnetism electric circuits this is a practice paper with memorandum meant to test the student s knowledge and will not be the same

**physical sciences grade 12 past exam papers and memos - Apr 29 2022**

web physical sciences nsc p1 memo sept 2016 eng north west physical sciences nsc p2 qp sept 2016 eng north west welcome to the grade 12 physical sciences physics past exam paper page here you ll find a comprehensive range of past papers and memos from 2008 to 2023

**grade 11 physical science ps physics november paper 1 and memo - Sep 15 2023**

web nov 14 2023 grade 11 physical sciences november paper 1 and memo total 150 marks this exam paper covers the following work physics vectors in 2d newton s laws newton s universal law electrostatics electromagnetism electric circuits this is a practice paper with memorandum meant to test the student s knowledge and will not

*nsc nov 2021 physical sciences p1 marking guideline - Dec 06 2022*

web apr 13 2022 this is physical sciences paper 1 memo for national senior certificate november 2021 grade 12 learners will benefit greatly when using it as part of their examination preparation

**grade 11 november 2020 physical sciences p1 exemplar - Oct 16 2023**

web physical sciences p1 exemplar marks 150 time 3 hours this question paper consists of 19 pages including 2 datasheets this question paper consists of ten questions answer all the questions in the answer book 3 start each question on a new page 4 number the answers correctly according to the numbering system used in

**download grade 12 physical sciences past exam papers and - Apr 10 2023**

web apr 2 2020 by katlego sithole download grade 12 physical sciences past exam papers and memorandums here s a collection of past physical sciences papers plus memos to help you prepare for the matric finals 2018 asc may june 2018 physical sciences paper 1 memorandum 2018 physical sciences paper 2 memorandum

**national senior certificate grade 12 - Aug 14 2023**

web this question paper consists of 17 pages and 3 data sheets grade 12 national 12 write your examination number and centre number in the appropriate spaces on the answer book this question paper consists of ten questions answer all the questions in the answer book physical sciences p1 12 db e november 2019 nsc

*grade 10 physics physical sciences paper 1 term 1 test - Sep 03 2022*

web mar 13 2023 physics physical sciences paper 1 term 1 test with memo for grade 10 out of 50 marks duration is 60 minutes topic waves note this material was developed and moderated by qualified teachers

nsc physical sciences grade 12 may june 2023 p1 only 2 - Feb 25 2022

web physical science instructioi physical sciences p1 sc nsc question 4 start on a new page 10 11 12 write on thi this the a start numl quest leav que you 1 you i shov rour give you writE trolley a of mass 7 2 kg moves to the right at 0 4 ms i in a straight line on a horizontal floor it collides with a stationary trolley b of mass 5 3 kg

*grade 11 physical sciences november paper 1 - Nov 05 2022*

web r 40 00 incl vat grade 11 physical sciences november paper 1 and memo total 150 marks this exam paper covers the following work physics vectors in 2d newton s laws newton s universal law electrostatics electromagnetism electric circuits this is a practice paper with memorandum meant to test the student s knowledge

**may june 2021 grade 12 physical sciences paper 1 memorandum - May 11 2023**

web this may june 2021 grade 12 physical sciences paper 1 physics question paper touches on newton s laws of motion vertical projectile motion work energy power doppler effect

**physical sciences p1 nov 2023 grade 11 memo studocu - Feb 08 2023**

web nov 1 2023 9 9 1 the magnitude of the induced emf across the ends of a conductor is directly proportional to the rate of change in the magnetic flux linked with the conductor 2 9 1 south 1 9 1 no deflection zero reading no change in the magnetic flux linkage 2 9 1 y to x 1 9 2 9 2  $\phi$  ba  $\cos\theta$  0 5 0  $\cos 20^\circ$  4 70 x 10<sup>4</sup> wb

**ec physical science grade 10 november 2022 p1 and memo 1 - Mar 29 2022**

web nov 10 2022 ai chat ec physical science grade 10 november 2022 p1 and memo 1 school northwood school south africa subject a level physics a level physics 9702 derecho civil civil law introduccion derecho de la persona derecho subjetivo

*grade 11 physical science ps physics november paper 1 and memo - Jan 07 2023*

web r 40 00 grade 11 physical sciences november paper 1 and memo total 150 marks this exam paper covers the following work physics vectors in 2d newton s laws newton s universal law electrostatics electromagnetism electric circuits this is a practice paper with memorandum meant to test the student s knowledge and will not

*grade 10 physical science ps physics november paper 1 and memo - Jun 12 2023*

web nov 13 2023 the total price includes the item price and a buyer fee grade 10 physical sciences november paper 1 and memo total 100 marks this exam paper covers the following work mechanics waves sound light electricity magnetism this is a practice paper with memorandum meant to test the student s knowledge and will not

**physical science exam papers and study material for grade 12 - Mar 09 2023**

web physical sciences p1 memo a e physical sciences p2 memo exam papers grade 12 physical science the latest papers with

memoranda are available for downloading to improve your understanding

the believers are but brothers oberon modern plays - Sep 09 2022

sep 2 2014 the oberon book of monologues for black actors classical and contemporary speeches from black british plays

monologues for men volume 1 oberon modern plays

the believers are but brothers oberon modern plays - Aug 20 2023

the believers are but brothers oberon modern plays javaad alipoor amazon com tr kitap

the believers are but brothers oberon modern plays - Mar 15 2023

the believers are but brothers is based on alipoor s experiences of working with young people and research he conducted

online the original show was performed at the edinburgh fringe

the believers are but brothers oberon modern - May 17 2023

the believers are but brothers oberon modern plays ebook alipoor javaad amazon ca kindle store

the believers are but brothers oberon modern plays - Dec 12 2022

we live in a time where old orders are collapsing from the postcolonial nation states of the middle east to the eu and the

american election through it all tech savvy and extremist groups rip

*the believers are but brothers oberon modern* - Apr 16 2023

abebooks com the believers are but brothers oberon modern plays 9781786824318 by alipoor javaad and a great selection of

similar new used and collectible books available

*our fathers oberon modern plays mitpressbookstore* - Jun 06 2022

español méxico the believers are but brothers tv special details full cast and crew release dates official sites company credits

filming production technical specs

the believers are but brothers oberon modern play thomas - Jan 01 2022

**the believers are but brothers 2019 release info imdb** - Mar 03 2022

mar 24 2019 the believers are but brothers directed by irshad ashraf with javaad alipoor tahir shah tommy james mia

lysandrou

*the believers are but brothers youtube* - May 05 2022

oct 16 2017 isis it s a huge and controversial topic to cover upon first reading the premise of javaad alipoor s the believers

are but brothers bbc s recent miniseries the state sprang

**come on home oberon modern plays mitpressbookstore** - Apr 04 2022

believers are but brothers oberon modern play can be one of the options to accompany you with having new time it will not

waste your time take me the e book will entirely sky you  
**review the believers are but brothers the mancunio** - Feb 02 2022

**the believers are but brothers oberon modern plays kindle** - Oct 10 2022

jan 22 2020 three men are driven to radicalization in a maze of online fantasy exploring the extremist nature of anonymity and hate speech the believers are but brothers is a

**the believers are but brothers oberon modern plays** - Sep 21 2023

jan 21 2018 the believers are but brothers is based on alipoor s experiences of working with young people and research he conducted online the original show was performed at the

the believers are but brothers tv special 2019 imdb - Nov 30 2021

**the believers are but brothers ums university musical** - Jul 07 2022

oct 30 2018 his plays include come on home abbey theatre town is dead a play within music at the abbey theatre nominated for best new play at the irish theatre awards 2017

**the believers are but brothers oberon modern plays yumpu** - Aug 08 2022

written and performed by javaad alipoorco directed by javaad alipoor and kirsty housleywe live in a time where old orders are collapsing from the postcoloni

**the believers are but brothers oberon modern plays** - Jan 13 2023

the believers are but brothers oberon modern plays ebook alipoor javaad amazon in kindle store

the believers are but brothers oberon modern - Jun 18 2023

the believers are but brothers is based on alipoor s experiences of working with young people and research he conducted online the original show was performed at the edinburgh fringe

*the believers are but brothers oberon modern plays javaad* - Jul 19 2023

we live in a time where old orders are collapsing from the postcolonial nation states of the middle east to the eu and the american election through it all

*the believers are but brothers oberon modern plays kindle* - Feb 14 2023

the believers are but brothers oberon modern plays ebook alipoor javaad amazon com au kindle store

**the believers are but brothers oberon modern plays kindle** - Nov 11 2022

read the latest magazines about the believers are but brothers oberon modern plays and discover magazines on yumpu com

*belajar grammar tata bahasa inggris gratis ef blog english* - Jan 02 2022

web temukan tips cara belajar grammar bahasa inggris english tata bahasa kosakata vocabulary dan pembendaharaan kata terbaik free dari ef tips grammar grammar test struktur grammar secara online lengkap dan gratis

[grammar learnenglish](#) - Oct 23 2023

web good luck choose a section a1 a2 grammar are you a learner at a1 elementary or a2 pre intermediate english level in this section you can improve your grammar with our clear and simple grammar lessons b1 b2 grammar are you a learner at b1 intermediate or b2 upper intermediate english level

**english grammar vocabulary exercises speakspeak** - Jan 14 2023

web test yourself and improve your english with these online practice exercises practise your grammar and learn new vocabulary choose your learning level and go back and repeat an exercise whenever you want new exercises

**learning new grammar learnenglish teens** - Aug 21 2023

web love it or hate it learning and practising grammar will help you improve your spoken and written english using grammar correctly is always very impressive and it s also very useful for passing exams here are our top tips for learning grammar don t worry about making mistakes every time someone corrects you you learn something new

[contoh grammar dasar bahasa inggris yang harus dipahami](#) - Jul 28 2021

web parts of speech setelah tadi membahas yang namanya to be yang penting dalam bahasa inggris dan berperan sebagai grammar dasar juga ialah part of speech ada sebanyak delapan part of speech yang harus anda pelajari beberapa diantaranya yaitu ada preposition conjunction interjection pronoun verb adverb noun dan adjective

**english grammar vocab on instagram like share** - Aug 29 2021

web 2 158 likes 20 comments english page in on november 19 2023 like share follow follow english page in learnenglish englis

**a1 a2 grammar learnenglish learnenglish british council** - Nov 12 2022

web are you a learner at a1 elementary or a2 pre intermediate english level in this section you can improve your grammar with our clear and simple grammar lessons start with an exercise to test your understanding then read the explanation to

**english grammar and vocabulary apps on google play** - Feb 03 2022

web oct 28 2023 english grammar and vocabulary is a new rapidly developing app each week learners get new useful and engaging units with tests and exercises also we embed tools and features that

**grammar vocabulary english language teaching and** - May 18 2023

web home elt catalog grammar vocabulary grammar vocabulary grammar and vocabulary series for all ages taking students from elementary to advanced with practice books and cd roms print and online tests and online practice product information teaching resources learning resources for grammar vocabulary 32 view mode

[grammar and vocabulary learnenglish kids](#) - Jul 20 2023

web do you want to practise your english grammar and learn new words in this section you can learn about grammar rules play word games and watch fun videos watch the grammar videos play the grammar games and print the grammar worksheets you can also print activities tests and reference cards and post comments

[english grammar and vocabulary with exercises learn english](#) - Jul 08 2022

web english grammar rules from a to n verb tenses and parts of speech for learners of all levels learn english today free materials and resources for learners of english

**grammar english vocab on instagram learn new useful** - Sep 29 2021

web 742 likes 2 comments grammar english tips daily on november 12 2023 learn new useful words with us credit english with sheila englishclass english

[grammar vocabulary grammar englishclub](#) - Oct 11 2022

web grammar vocabulary this is a short list of grammar terms and definitions we have a longer list of grammar terms here active voice in the active voice the subject of the verb does the action e g they killed the president see also passive voice

*b1 b2 grammar learnenglish learnenglish british council* - Dec 13 2022

web 316 conditionals zero first and second do you know how to use the zero first and second conditionals test what you know with interactive exercises and read the explanation to help you 297 contrasting ideas although despite and others do you know how to connect two contrasting ideas with words like although and despite

**english grammar online grammar and vocabulary exercises foe english** - Apr 05 2022

web this website provides you with interactive practice material and online grammar and vocabulary exercises for students and teachers exercises can be done on browser tablets and smartphones downloads are available for free and are in pdf format english across the curriculum

**english grammar guru is spreading the word in all 50 states** - Mar 04 2022

web 2 days ago jovin has taken the grammar table to all 50 states since 2018 she has stops planned for gilbert and mesa arizona in february and is often in parks in new york city where she lives a longtime

[clear speech grammar vocabulary and pronunciation](#) - Aug 09 2022

web uk row directcs cambridge org 44 0 1223 326050 us customer service cambridge org 1 800 872 7423 or 1 212 337 5000 australia new zealand enquiries cambridge edu au 61 3 86711400 or

**english grammar in use fourth edition grammar vocabulary** - Apr 17 2023

web english grammar in use fourth edition the world s best selling grammar series for learners of english raymond murphy s classic reference and practice book for learners of english at intermediate b1 b2 level perfect for self study but also ideal for

supplementary grammar activities in the classroom

*grammar learn english englishclub* - Sep 10 2022

web grammar quizzes englishclub learn english grammar grammar is the way we arrange words to make sentences word

level grammar covers verbs nouns adverbs etc sentence level grammar covers phrases clauses reported speech

*english grammar in use fifth edition grammar vocabulary and* - Jun 19 2023

web raymond murphy s english grammar in use is the world s best selling grammar reference and practice book for learners of english at intermediate b1 b2 level it s p erfect for self study but also ideal for supplementary grammar activities in the classroom

**ie1 unit 1 grammar and vocabulary exercise 4 worksheet** - Oct 31 2021

web jun 13 2022 level pre intermediate language english en id 2069280 13 06 2022 country code vn country vietnam school

subject english as a second language esl 1061958 main content grammar and vocabulary 2013125 grammar and vocabulary

**vocabulary learnenglish learnenglish british council** - Feb 15 2023

web learning vocabulary will help you improve your language level and communicate in english confidently and effectively

the pages are organised by topic and include interactive exercises to help you learn and remember the new words there are

also two fun word games to help you improve your vocabulary a1 a2 vocabulary

basic grammar in use grammar vocabulary and pronunciation - May 26 2021

web basic grammar in use third edition is the lower level text in the grammar in use series it focuses on the fundamental

grammar structures normally taught in basic or introductory courses this new edition contains updated explanations paired

with additional practice the book is available both with and without answers so it can be used in

*english grammar reference learnenglish british council* - Mar 16 2023

web english grammar reference read clear grammar explanations and example sentences to help you understand how the

language is used then put your grammar knowledge into practice by doing the exercises our english grammar was written

especially for learnenglish by author and grammarian dave willis choose a section below and start

*english grammar terms vocabulary list vocabulary com* - May 06 2022

web aug 21 2012 article one of a class of artifacts series similar things placed in order or one after another sentence a

string of words satisfying grammatical rules of a language formal in accord with established conventions and requirements

singular being a single and separate person or thing mood a characteristic state of feeling phrase

english grammar online free exercises explanations vocabulary - Sep 22 2023

web new on ego4u and lingolia vocabulary calendar 2023 in english french spanish esperanto or german conjugator for

english verbs learn spanish grammar on lingolia learn german grammar on lingolia english grammar for apple ipad with

english explanations auxiliary verbs with 10 exercises simple past and present perfect simple

**apa itu grammar memahami grammar dari dasar kampung** - Dec 01 2021

web adjective adjective adalah kata yang digunakan untuk mengungkapkan sifat karakteristik dari sesuatu biasanya adjective digunakan untuk mendeskripsikan apa yang ditangkap panca indera mulai dari penampilan suara rasa kesan hingga bau beberapa contoh adjective misalnya gorgeous tall handsome weak kind etc

**a1 a2 vocabulary learnenglish learnenglish british council** - Jun 07 2022

web discover your level are you a learner at a1 elementary or a2 pre intermediate english level in this section you will find activities to help you learn the meaning pronunciation and spelling of new words learning vocabulary will help you improve your language level and communicate in english confidently and effectively

**mengenal cakupan grammar bahasa inggris nggak cuma tenses** - Jun 26 2021

web nov 7 2022 apa saja grammar dalam bahasa inggris materi apa saja yang ada di grammar materi grammar bahasa inggris mulai dari abjad tanda baca kata frasa klausa kalimat termasuk tenses sebetulnya materi grammar sangat luas tetapi english academy hanya akan membahas grammar yang populer dan beginner friendly seperti di