

Repair Parts List for:

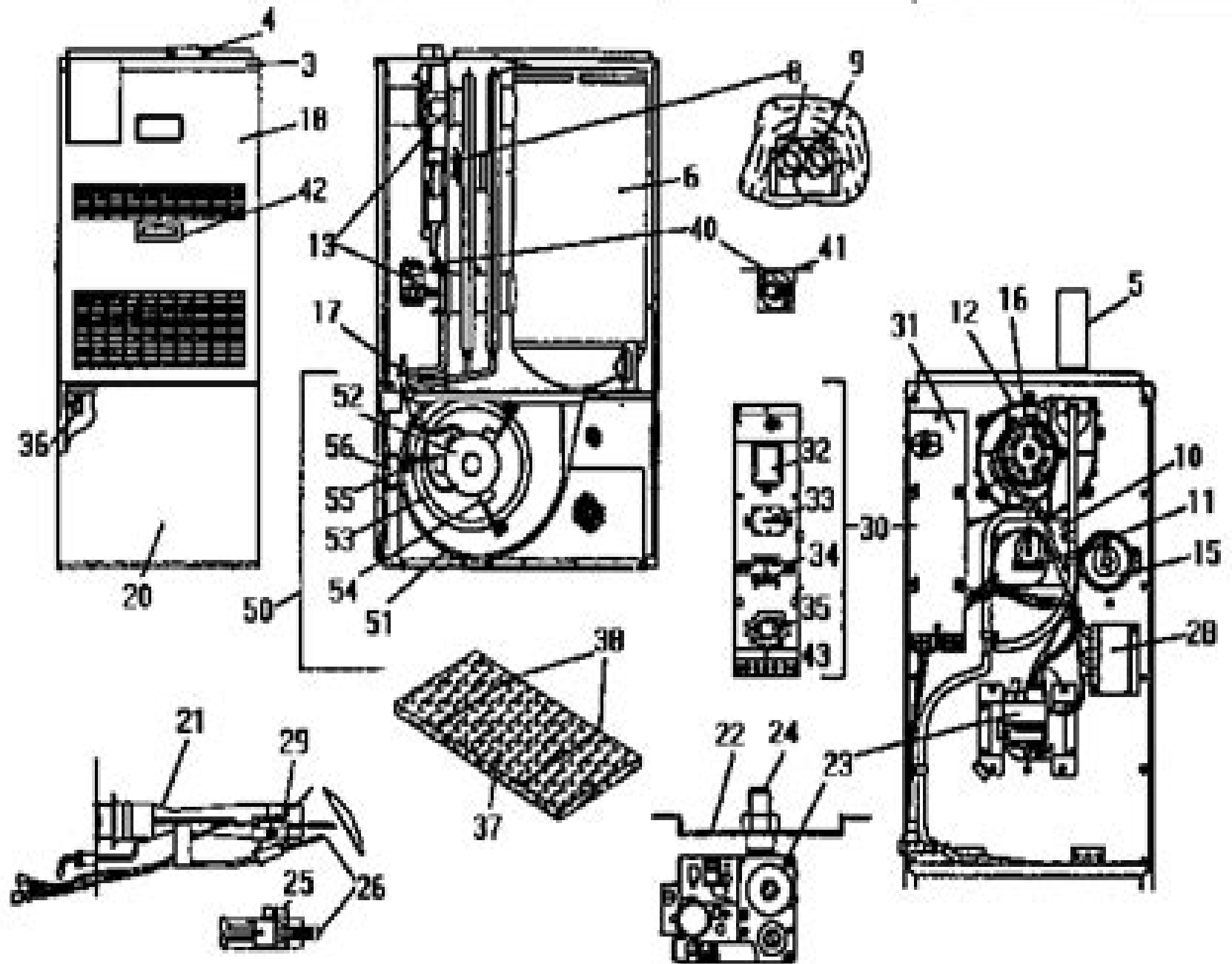
CGU04512

CGU06512

CGU08516

CGU09016

CGU09518



Manual For A Coleman Evcon Gas Furnace

S Marginson



Manual For A Coleman Evcon Gas Furnace:

Whispering the Techniques of Language: An Mental Journey through **Manual For A Coleman Evcon Gas Furnace**

In a digitally-driven world wherever screens reign great and quick connection drowns out the subtleties of language, the profound techniques and mental subtleties concealed within words often get unheard. However, located within the pages of **Manual For A Coleman Evcon Gas Furnace** a captivating literary prize sporting with organic thoughts, lies a fantastic journey waiting to be undertaken. Penned by a skilled wordsmith, that charming opus invites readers on an introspective trip, gently unraveling the veiled truths and profound affect resonating within the very fabric of each and every word. Within the mental depths of this poignant evaluation, we can embark upon a honest exploration of the book is primary themes, dissect their interesting writing type, and succumb to the powerful resonance it evokes strong within the recesses of readers hearts.

https://staging.conocer.cide.edu/About/scholarship/HomePages/Foreclosure_Interrogatories_Manual_Guide.pdf

Table of Contents Manual For A Coleman Evcon Gas Furnace

1. Understanding the eBook Manual For A Coleman Evcon Gas Furnace
 - The Rise of Digital Reading Manual For A Coleman Evcon Gas Furnace
 - Advantages of eBooks Over Traditional Books
2. Identifying Manual For A Coleman Evcon Gas Furnace
 - Exploring Different Genres
 - Considering Fiction vs. Non-Fiction
 - Determining Your Reading Goals
3. Choosing the Right eBook Platform
 - Popular eBook Platforms
 - Features to Look for in an Manual For A Coleman Evcon Gas Furnace
 - User-Friendly Interface
4. Exploring eBook Recommendations from Manual For A Coleman Evcon Gas Furnace
 - Personalized Recommendations
 - Manual For A Coleman Evcon Gas Furnace User Reviews and Ratings

- Manual For A Coleman Evcon Gas Furnace and Bestseller Lists
- 5. Accessing Manual For A Coleman Evcon Gas Furnace Free and Paid eBooks
 - Manual For A Coleman Evcon Gas Furnace Public Domain eBooks
 - Manual For A Coleman Evcon Gas Furnace eBook Subscription Services
 - Manual For A Coleman Evcon Gas Furnace Budget-Friendly Options
- 6. Navigating Manual For A Coleman Evcon Gas Furnace eBook Formats
 - ePub, PDF, MOBI, and More
 - Manual For A Coleman Evcon Gas Furnace Compatibility with Devices
 - Manual For A Coleman Evcon Gas Furnace Enhanced eBook Features
- 7. Enhancing Your Reading Experience
 - Adjustable Fonts and Text Sizes of Manual For A Coleman Evcon Gas Furnace
 - Highlighting and Note-Taking Manual For A Coleman Evcon Gas Furnace
 - Interactive Elements Manual For A Coleman Evcon Gas Furnace
- 8. Staying Engaged with Manual For A Coleman Evcon Gas Furnace
 - Joining Online Reading Communities
 - Participating in Virtual Book Clubs
 - Following Authors and Publishers Manual For A Coleman Evcon Gas Furnace
- 9. Balancing eBooks and Physical Books Manual For A Coleman Evcon Gas Furnace
 - Benefits of a Digital Library
 - Creating a Diverse Reading Collection Manual For A Coleman Evcon Gas Furnace
- 10. Overcoming Reading Challenges
 - Dealing with Digital Eye Strain
 - Minimizing Distractions
 - Managing Screen Time
- 11. Cultivating a Reading Routine Manual For A Coleman Evcon Gas Furnace
 - Setting Reading Goals Manual For A Coleman Evcon Gas Furnace
 - Carving Out Dedicated Reading Time
- 12. Sourcing Reliable Information of Manual For A Coleman Evcon Gas Furnace
 - Fact-Checking eBook Content of Manual For A Coleman Evcon Gas Furnace
 - Distinguishing Credible Sources

13. Promoting Lifelong Learning
 - Utilizing eBooks for Skill Development
 - Exploring Educational eBooks
14. Embracing eBook Trends
 - Integration of Multimedia Elements
 - Interactive and Gamified eBooks

Manual For A Coleman Evcon Gas Furnace Introduction

In this digital age, the convenience of accessing information at our fingertips has become a necessity. Whether its research papers, eBooks, or user manuals, PDF files have become the preferred format for sharing and reading documents. However, the cost associated with purchasing PDF files can sometimes be a barrier for many individuals and organizations. Thankfully, there are numerous websites and platforms that allow users to download free PDF files legally. In this article, we will explore some of the best platforms to download free PDFs. One of the most popular platforms to download free PDF files is Project Gutenberg. This online library offers over 60,000 free eBooks that are in the public domain. From classic literature to historical documents, Project Gutenberg provides a wide range of PDF files that can be downloaded and enjoyed on various devices. The website is user-friendly and allows users to search for specific titles or browse through different categories. Another reliable platform for downloading Manual For A Coleman Evcon Gas Furnace free PDF files is Open Library. With its vast collection of over 1 million eBooks, Open Library has something for every reader. The website offers a seamless experience by providing options to borrow or download PDF files. Users simply need to create a free account to access this treasure trove of knowledge. Open Library also allows users to contribute by uploading and sharing their own PDF files, making it a collaborative platform for book enthusiasts. For those interested in academic resources, there are websites dedicated to providing free PDFs of research papers and scientific articles. One such website is Academia.edu, which allows researchers and scholars to share their work with a global audience. Users can download PDF files of research papers, theses, and dissertations covering a wide range of subjects. Academia.edu also provides a platform for discussions and networking within the academic community. When it comes to downloading Manual For A Coleman Evcon Gas Furnace free PDF files of magazines, brochures, and catalogs, Issuu is a popular choice. This digital publishing platform hosts a vast collection of publications from around the world. Users can search for specific titles or explore various categories and genres. Issuu offers a seamless reading experience with its user-friendly interface and allows users to download PDF files for offline reading. Apart from dedicated platforms, search engines also play a crucial role in finding free PDF files. Google, for instance, has an advanced search feature that allows users to filter results by file type. By specifying the file type as "PDF,"

users can find websites that offer free PDF downloads on a specific topic. While downloading Manual For A Coleman Evcon Gas Furnace free PDF files is convenient, its important to note that copyright laws must be respected. Always ensure that the PDF files you download are legally available for free. Many authors and publishers voluntarily provide free PDF versions of their work, but its essential to be cautious and verify the authenticity of the source before downloading Manual For A Coleman Evcon Gas Furnace. In conclusion, the internet offers numerous platforms and websites that allow users to download free PDF files legally. Whether its classic literature, research papers, or magazines, there is something for everyone. The platforms mentioned in this article, such as Project Gutenberg, Open Library, Academia.edu, and Issuu, provide access to a vast collection of PDF files. However, users should always be cautious and verify the legality of the source before downloading Manual For A Coleman Evcon Gas Furnace any PDF files. With these platforms, the world of PDF downloads is just a click away.

FAQs About Manual For A Coleman Evcon Gas Furnace Books

How do I know which eBook platform is the best for me? Finding the best eBook platform depends on your reading preferences and device compatibility. Research different platforms, read user reviews, and explore their features before making a choice. Are free eBooks of good quality? Yes, many reputable platforms offer high-quality free eBooks, including classics and public domain works. However, make sure to verify the source to ensure the eBook credibility. Can I read eBooks without an eReader? Absolutely! Most eBook platforms offer web-based readers or mobile apps that allow you to read eBooks on your computer, tablet, or smartphone. How do I avoid digital eye strain while reading eBooks? To prevent digital eye strain, take regular breaks, adjust the font size and background color, and ensure proper lighting while reading eBooks. What the advantage of interactive eBooks? Interactive eBooks incorporate multimedia elements, quizzes, and activities, enhancing the reader engagement and providing a more immersive learning experience. Manual For A Coleman Evcon Gas Furnace is one of the best book in our library for free trial. We provide copy of Manual For A Coleman Evcon Gas Furnace in digital format, so the resources that you find are reliable. There are also many Ebooks of related with Manual For A Coleman Evcon Gas Furnace. Where to download Manual For A Coleman Evcon Gas Furnace online for free? Are you looking for Manual For A Coleman Evcon Gas Furnace PDF? This is definitely going to save you time and cash in something you should think about.

Find Manual For A Coleman Evcon Gas Furnace :

[foreclosure interrogatories manual guide](#)

[forms of nursing that are out at polokwane colleges](#)

ford taurus trailer wiring

[formula homemade puppy recipe](#)

[format and reset hp elitebook 84g bios](#)

[fort drum dons schedule 2014](#)

[forest city annual report](#)

[forester parts manual](#)

[forensic fetal osteology fazekas](#)

[fordson major super major parts manual 1952-1965](#)

[fordson dexta tractor workshop repair service manual](#)

[ford truck repair help](#)

fort comme la mort french edition

[forged in ash a redhot seals novel book english edition](#)

[former les responsables qualiteacuteeacutethiqueperformance du secteur meacutedicosocial](#)

Manual For A Coleman Evcon Gas Furnace :

[cynthia van eck mirjam oldenhav voor jou 10 anderen de](#) - Mar 21 2022

web cynthia van eck mirjam oldenhav voor jou 10 anderen e book voor telefoon of tablet e reader pc of laptop ik figuur

cynthia zit tot haar twaalfde samen met haar halfbroer in

[boek voor jou tien anderen letterenfonds](#) - Mar 01 2023

web author of donna lisa hier waak ik voor jou 10 anderen de parel de schat van ratep control copy waar ben ik in de gloria

cynthia van eck mirjam oldenhav voor jou 10 anderen online - Feb 17 2022

web mirjam oldenhav donna lisa vlag en wimpel 2000 ik ik getipt door de nederlandse kinderjury 2003 geheim agent getipt

door de nederlandse kinderjury 2005 belly b

[voor jou 10 anderen mirjam oldenhav bibliotheek antwerpen](#) - Nov 28 2022

web ik figuur cynthia zit tot haar twaalfde samen met haar halfbroer in het illegale kindertehuis van mama riet op een dag

worden ze ergens anders ondergebracht cynthia gaat op

slash 2 voor jou tien anderen ebook mirjam oldenhav - May 23 2022

web beschrijving beoordelingen 0 mirjam oldenhav voor jou 10 anderen korte samenvatting achterkant van het boek cynthia wordt als baby door haar moeder

voor jou 10 anderen door mirjam oldenhav scholieren com - Jun 23 2022

web slash 2 voor jou tien anderen ebook mirjam oldenhav 9789045108360 boeken bol com boeken young adult slash 2 voor jou tien anderen ebook auteur mirjam

voor jou 10 anderen mirjam oldenhav 9789001808426 - Dec 18 2021

voor jou 10 anderen querido singel uitgeverijen - Apr 02 2023

web mirjam oldenhav is not just a popular children s author she s also a foster parent this was how she came to meet cynthia van eck 17 an orphan whose heartrending life

voor jou 10 anderen door mirjam oldenhav scholieren com - Jul 25 2022

web apr 22 2011 titel voor jou 10 anderen auteur mirjam oldenhav uitgeverij querido slash plaats uitgeverij b samenvatting 104 woorden hoofdpersoon is cynthia die

mirjam oldenhav boeken vinden kinderboeken nl - Jan 19 2022

web mama riet bemoeit zich daar niet mee zij heeft het te druk met andere dingen haar honden bijvoorbeeld cynthia weet niet beter en past zich aan gelukkig is haar broer

mirjam oldenhav wikipedia - Sep 26 2022

web jan 3 2013 op 12 september 2009 wordt deze prijs uitgereikt een van de genomineerde boeken is voor jou 10 anderen uit 2008 van mirjam oldenhav en cynthia van eck

mirjam oldenhav open library - Jan 31 2023

web paperback 17 99 ebook 7 49 epub met digitaal watermerk 7 49 bestel dit ebook direct downloaden klanten beoordelen bruna met een 8 cynthia wordt als baby door haar

voor jou 10 anderen oldenhav mirjam 1960 free - Sep 07 2023

web 126 p 22 cm een tienermeisje zit tot haar twaalfde met haar halfbroer in een illegaal kindertehuis ik figuur cynthia zit tot haar twaalfde samen met haar halfbroer in het

mirjam oldenhav wikipedia - Jun 04 2023

web mama riet bemoeit zich daar niet mee zij heeft het te druk met andere dingen haar honden bijvoorbeeld cynthia weet niet beter en past zich aan gelukkig is haar broer

mirjam oldenhav voor jou 10 anderen ikvindlezennietleuk - Apr 21 2022

web cynthia van eck mirjam oldenhav voor jou 10 anderen gedrukt boek ik figuur cynthia zit tot haar twaalfde samen met haar halfbroer in het illegale kindertehuis van mama riet

recensie mirjam oldenhav en cynthia van eck voor jou 10 - Aug 26 2022

web may 15 2011 voor jou 10 anderen is geschreven door mirjam oldenhav voor jou 10 anderen is een slash boek dit wil zeggen dat het boek is geschreven door een

voor jou 10 anderen door mirjam oldenhav scholieren com - Oct 08 2023

web alles over de jeugdboek voor jou 10 anderen geschreven door mirjam oldenhav in 2008 lees 13 boekverslagen over dit boek

voor jou tien anderen mirjam oldenhav ebook 9789045108360 - Dec 30 2022

web met het indrukwekkende de gelukvinder over het leven van een 17 jarige afghaanse vluchteling anoush elman liet van de vendel het eendimensionale probleemboek ver

voor jou 10 anderen door mirjam oldenhav scholieren com - Jul 05 2023

voor kinderen mees kees de husselrace 2020 uitgeverij ploegsma mees kees hoppa 2019 uitgeverij ploegsma mees kees buiten de lijntjes 2016 uitgeverij ploegsma

voor jou 10 anderen mirjam oldenhav vlaamse catalogus - Oct 28 2022

web mirjam oldenhav born 20 august 1960 in hengelo is a dutch author of children s literature and the author of the 2010 kinderboekenweekgeschenk initially trained as a

voor jou 10 anderen by mirjam oldenhav goodreads - Aug 06 2023

web oct 11 2009 boekverslag van het boek voor jou 10 anderen mirjam oldenhav voor het vak nederlands dit verslag is op 11 oktober 2009 gepubliceerd op scholieren com en

voor jou 10 anderen mirjam oldenhav 9789001808426 - May 03 2023

web mirjam oldenhav cynthia wordt als baby door haar moeder achtergelaten in het illegale kindertehuis van mama riet in het flatje wonen een stuk of tien kinderen dus het is er

single phase induction motors ac motors electronics textbook - May 29 2023

web single phase induction motors have a copper or aluminum squirrel cage embedded in a cylinder of steel laminations typical of polyphase induction motors permanent split capacitor motor one way to solve the single phase problem is to build a 2 phase motor deriving 2 phase power from single phase

types of single phase induction motors electrical academia - Oct 22 2022

web learn about different types of single phase induction motors including split phase motor capacitor start motor permanent split capacitor motor capacitor start capacitor run motor shaded pole motor and universal motor

how to connect single phase electric motors hunker - Dec 24 2022

web step 1 remove the panel on the single phase dc electric motor so you can access the terminal connectors use a screwdriver to remove the screws holding the panel in place and then lift off using your fingers there are two terminal connectors on a dc motor live and neutral loosen the terminal connector screws using a screwdriver

single phase motor wiring wiring diagram - Jan 13 2022

web feb 14 2023 steps for wiring single phase motors once you have the wiring diagram in hand you can start the process of connecting the single phase motor to the power supply here are the steps for wiring up the motor connect the l1 terminal of the motor to the live conductor of the power source

wiring how to wire up single phase induction motor electrical - Jul 31 2023

web 1 the diagram is in two parts the left side is the connection for clockwise rotation the right for counterclockwise in both the capacitor is connected to the same terminals v2 and z1 presumably the left two as seen in the photo which is upside down relative to the diagram

wiring diagram of single phase motor - May 17 2022

web aug 2 2021 a wiring diagram of a single phase motor is a visual representation of the electrical connections and power components of the motor it shows how each component is connected to the other including terminals and connections

single phase motor wiring diagrams - Mar 27 2023

web single phase motor wiring diagrams single voltage motor 208 230v ccw cw l2 l1 t1 t8 t4 t5 t1 t5 t4 t8 dual voltage motor 115v or 208 230v 208 230v or 460v low voltage high voltage ccw cw ccw cw l2 t1 t3 t8 t2 t4 t5 t1 t3 t5 t2 t4 t8 l1 t1 t3 t8 t2 t4 t5 t1 t3 t5 t2 t4 t8 l1 l2 dual voltage motor with manual overload

single phase motor forward and reverse wiring youtube - Apr 27 2023

web oct 13 2020 single phase motor forward and reverse wiring the structure of the 1 phase motor determines that the reverse rotation is generally completed by hardware it is recommended to use a 3 phase motor

single phase motor wiring diagrams an overview moo wiring - Mar 15 2022

web aug 13 2023 to ensure that your wiring is up to the task it s important to understand the basics of single phase motor wiring diagrams understanding single phase motor diagrams single phase motors are typically rated at either 115 volts or 230 volts

how to wire a 6 wire single phase motor complete wiring diagram - Aug 20 2022

web a 6 wire single phase motor typically consists of six different wires each with its own purpose these wires include the line neutral and three additional wires that are used for different motor functions such as controlling the direction of rotation and connecting to an external capacitor

single phase diagram wiring diagram - Dec 12 2021

web jan 12 2023 a single phase diagram is a type of electrical wiring diagram that uses a single phase power supply for power distribution it is usually used to create a power distribution system for a facility or in a building this type of diagram is also referred to as a power loop diagram

single phase electric motor diagrams - Sep 01 2023

web electric motor diagrams internal wiring diagrams of small and fractional horsepower electric motors split phase induction single phase motor diagram split phase induction electric motor the split phase induction electric motor is equipped with a squirrel cage rotor for constant speed operation it has a starting

wiring diagram single phase motors sentridge - Jun 29 2023

web wiring diagram single phase motors 1empc permanent capacitor motors crun z1 u1 u2 z2 l1 n crun z1 u1 u2 z2 l1 n crun z1 u1 u2 z2 l1 n l1 n n l1 1empcc capacitor start capacitor run motors cstart cstart z1 z1 u1 u2 z2 u1 u2 z2 l1 n crun l1 n crun cstart l1 u2 z1 u1 z2 crun l1 n n l1

single phase motor wiring diagram and examples wira electrical - Oct 02 2023

web we will learn every single type of single phase motor schematic because single phase motors may have different schematic connection and purpose this is why learning every type we can find is a good thing single phase motor wiring diagram single phase induction motor is an ac motor that operates when supplied with a single phase power

single phase three phase wiring diagrams 1 phase 3 phase wiring - Apr 15 2022

web single phase electrical wiring installation in a multi story building three phase electrical wiring installation in a multi storey building the star delta Δ 3 phase motor starting method by automatic star delta starter with timer

motor wiring diagrams groschopp - Feb 23 2023

web ac80 ac90 ac100 single phase motors 4 wire reversible psc motor as 183 wiring diagram with switch ac80 ac90 ac100 single phase motors 4 wire reversible psc motor with a triple pole double throw switch as 184 wiring diagram ac65 ac80 ac90 ac100 three phase motors 3 wire 3 phase motor as 193 wiring diagram ac65

single phase electric motor wiring tutorial baldor weg leeson - Sep 20 2022

web jun 26 2019 in this video jamie shows you how to read a wiring diagram and the basics of hooking up an electric air compressor motor these tips can be used on most electric motor brands such as weg

electric motor wiring diagrams single phase wiring diagram - Nov 10 2021

web nov 17 2020 variations of wiring diagrams for single phase electric motors when it comes to single phase electric motors there are two variations of wiring diagrams the first one is the standard start stop diagram and the second is the three phase motor diagram generally the standard diagram is used for new motors and replacement

basic wiring for motor control eaton - Feb 11 2022

web wiring diagrams sometimes called main or construction diagrams show the actual connection points for the wires to the components and terminals of the controller they show the relative location of the components they can be

how do i connect a direct on line dol starter to a single phase motor - Jun 17 2022

web the diagram below shows the wiring for a single phase motor and the path through the contactor and overload please see the attached diagram for guidance this diagram illustrates possible wiring using a tesys d lc1d contactor and tesys lrd overload lrd and stop control is assumed to be by operation of the stop button on the overload

motor wiring diagram 904983 motor boss - Jan 25 2023

web motor wiring diagram 904983 7 lead dual voltage 115 230 single phase with thermal protection clockwise rotation facing shaft as shown interchange leads t5 t8 for counter clockwise rotation each lead may have one or more cables comprising that lead in such case each cable will be marked with the appropriate lead number

wiring diagrams standard motors fantech - Jul 19 2022

web wiring diagrams standard motors wiring diagrams standard motors these diagrams apply to standard frame induction motors which are used in the following products 3Ø wiring diagrams diagram dd1 single speed motors refer to the name plate data for correct connection for delta wired motors

us motors connection diagrams connection diagrams nidec - Nov 22 2022

web single phase single voltage 3 lead cw or ccw rotation 904983 single phase 115 230v 7 lead w thermal protection cw rotation 906066 wye connection dual voltage with thermal protector 908000 12 lead dual voltage y d or 6 lead single voltage y d 912540 single phase dual voltage 11 lead thermally protected cw

from the bridge imdb - Mar 02 2022

from the bridge directed by spencer f lee with george takei stan lee nichelle nichols david hayter from the bridge chronicles the journey of sci fi horror and comic book fans from their humble start as an underground community into the multi billion dollar explosion of fandom now ruling the universe the film delves into how fanzines magazines and genre films

a view from the bridge full play summary sparknotes - Apr 15 2023

a view from the bridge full play summary sparknotes arthur miller study guide themes motifs symbols quotes summary full play summary alfieri an italian american lawyer in his fifties enters the stage and sits in his office talking from his desk to the audience he introduces the story of eddie carbone

millennium bridge straw bale dangled from crossing bbc news - Sep 08 2022

18 october 2023 a straw bale has been dangled from london s millennium bridge as part of an ancient tradition to warn passing boats of work on the capital s thames crossings the ancient port

[review a view from the bridge chichester festival](#) - Feb 01 2022

oct 12 2023 [review a view from the bridge chichester festival theatre arthur miller makes a strong if belated debut in chichester by gary naylor](#) oct 12 2023 as is the case for chichester festival

[arthur miller a view from the bridge alfieri s introduction](#) - Oct 09 2022

arthur miller the introduction of the play a view from the bridge alfieri the greek chorus like read more 1 viewer 1 contributor a view from the bridge alfieri s introduction lyrics

[a view from the bridge 1962 full movie m4uhd](#) - Sep 20 2023

genre drama storyline a view from the bridge 1962 eddie carbone a brooklyn longshoreman is unhappily married to beatrice and unconsciously in love with catherine the niece that they have raised from childhood into his house come two brothers illegal immigrants marco and rodolpho catherine falls in love with rudolpho and eddie

millennium bridge workers hang straw bales after ancient bylaw - Apr 03 2022

oct 18 2023 [the millennium bridge was the first new pedestrian bridge to be built across the thames for more than a century linking the city of london at st paul s cathedral with the tate modern gallery at](#)

a view from the bridge what s up with the title shmoop - Jan 12 2023

what s up with the title imagine you re standing on the brooklyn bridge a strong breeze rushes up from the east river down below the wind slams into your face bringing the smell of the river the ocean beyond it and probably a big whiff of car exhaust you look to one side and see the giant gleaming buildings of manhattan

[a view from the bridge summary gradesaver](#) - May 16 2023

a view from the bridge summary the play begins with alfieri who serves as the play s narrator alfieri is a lawyer who was born in italy and has great sympathy for his working class clients he tells of how certain cases make him think of italy even of ancient rome he introduces eddie and walks off the stage

[a view from the bridge national theatre](#) - Jul 06 2022

in brooklyn eddie carbone welcomes his sicilian cousins to the land of freedom but when one of them falls for his beautiful niece they discover that freedom comes at a price eddie s jealous mistrust exposes a deep unspeakable secret one that drives him to commit the ultimate betrayal ivo van hove directs mark strong and nicola

a view from the bridge 2023 tour review whatsonstage - Aug 07 2022

sep 14 2023 [a view from the bridge 2023 tour review arthur miller s classic returns in a new production from headlong octagon theatre bolton chichester festival theatre and rose theatre directed by holly race roughan](#)

[a view from the bridge review a fresh look at an elemental](#) - Jun 17 2023

sep 14 2023 [arthur miller reviews reuse this content in holly race roughan s thrilling and dynamic production arthur miller s](#)

classic about a brooklyn longshoreman and his family roils with primal passions

[a view from the bridge broadway reviews broadway](#) - Nov 10 2022

reviews of a view from the bridge on broadway see what all the critics had to say and see all the ratings for a view from the bridge including the new york times and more popular 1 photos

[a view from the bridge quotes explanations cliffsnotes](#) - Dec 11 2022

unlock explanation on the evening that rodolpho and marco arrive soon after rodolpho has sung paper doll eddie has just watched catherine and rodolpho flirt and mr alfieri is addressing the audience directly he emphasizes that eddie is an ordinary man whose life had been on an ordinary track until this point

a view from the bridge study guide sparknotes - Mar 14 2023

quotes quick quizzes essays further study buy now a view from the bridge is a play by arthur miller that was first performed in 1955 explore a character analysis of eddie carbone a plot summary and important quotes summary

a view from the bridge wikipedia - Aug 19 2023

a view from the bridge is a play by american playwright arthur miller it was first staged on september 29 1955 as a one act verse drama with a memory of two mondays at the coronet theatre on broadway

[language useful terms a view from the bridge york notes](#) - Jun 05 2022

in a view from the bridge the climax is discovered when at the end of the play marco turns the knife on eddie and kills him colloquialism the use of expressions and grammar associated with ordinary everyday speech rather than formal language which alfieri uses the speech of catherine eddie and beatrice is regarded as colloquial

[a view from the bridge review how to make a mess of miller](#) - May 04 2022

oct 11 2023 a view from the bridge review how to make a mess of miller there are some nights when the very best efforts of actors can be undone by a director s conceits that is exactly what happens in

a view from the bridge review miller reinvented with visceral - Feb 13 2023

apr 18 2021 thu 12 nov 2015 22 00 est last modified on sun 18 apr 2021 12 45 edt o stensibly arthur miller s a view from the bridge is set in red hook brooklyn a thriving port in miller s day and now

a view from the bridge plot summary plot summary bbc - Jul 18 2023

a view from the bridge by arthur miller is a two act play set by the docks of red hook a working class part of brooklyn new york it is narrated by a lawyer alfieri and revolves around the