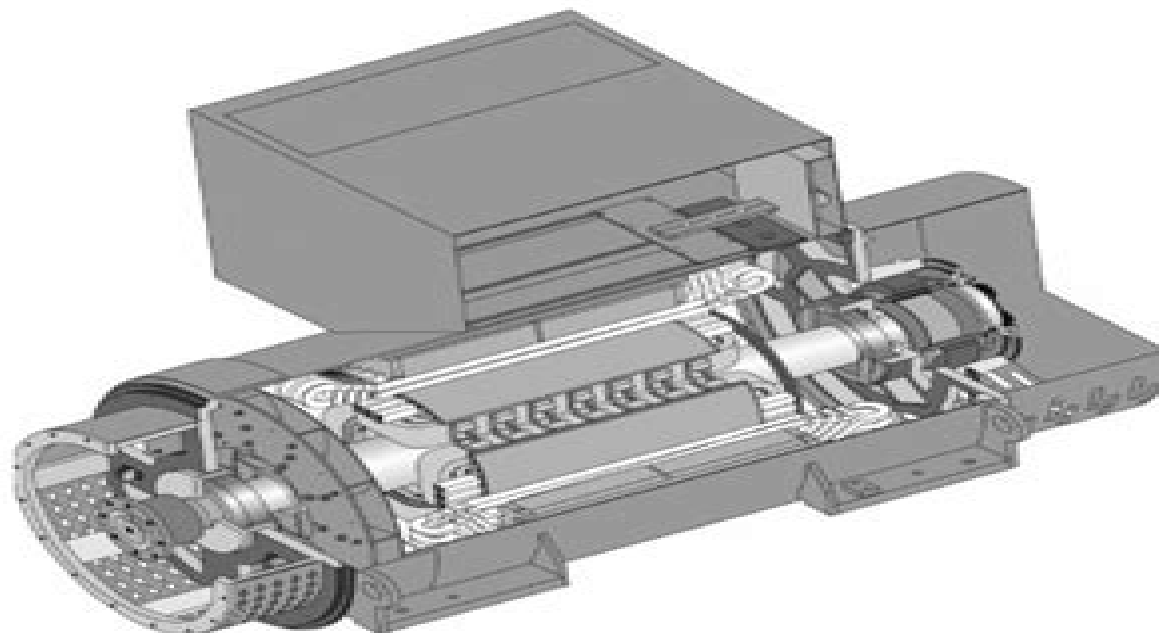


Instruction Manual

Installation • Operation • Maintenance



Standard AC generator

Single or two-bearing
Drive-end air discharge



Kato Engineering Inc.
P.O. Box 8447
Mankato, MN USA
56002-8447
Tel: 507-625-4011
Fax: 507-345-2798
Email: katoengineering@lsusa.com
www.kato-eng.com

Kato Generator Manual

United States Department of the Army



Kato Generator Manual:

The Captivating World of Kindle Books: A Detailed Guide Unveiling the Benefits of Kindle Books: A World of Ease and Versatility Kindle books, with their inherent mobility and ease of availability, have freed readers from the constraints of hardcopy books. Gone are the days of carrying bulky novels or meticulously searching for specific titles in shops. E-book devices, stylish and portable, effortlessly store an extensive library of books, allowing readers to immerse in their favorite reads whenever, anywhere. Whether commuting on a bustling train, lounging on a sun-kissed beach, or simply cozying up in bed, E-book books provide an exceptional level of ease. A Literary World Unfolded: Exploring the Wide Array of E-book Kato Generator Manual Kato Generator Manual The Kindle Shop, a virtual treasure trove of literary gems, boasts an wide collection of books spanning varied genres, catering to every readers taste and choice. From captivating fiction and mind-stimulating non-fiction to timeless classics and contemporary bestsellers, the Kindle Store offers an unparalleled abundance of titles to discover. Whether seeking escape through immersive tales of imagination and exploration, delving into the depths of historical narratives, or expanding ones knowledge with insightful works of science and philosophical, the E-book Store provides a doorway to a bookish world brimming with limitless possibilities. A Game-changing Factor in the Literary Scene: The Persistent Influence of Kindle Books Kato Generator Manual The advent of Kindle books has undoubtedly reshaped the literary landscape, introducing a model shift in the way books are released, distributed, and consumed. Traditional publication houses have embraced the digital revolution, adapting their strategies to accommodate the growing demand for e-books. This has led to a rise in the accessibility of Kindle titles, ensuring that readers have access to a vast array of literary works at their fingertips. Moreover, E-book books have democratized access to books, breaking down geographical limits and providing readers worldwide with equal opportunities to engage with the written word. Regardless of their location or socioeconomic background, individuals can now engross themselves in the captivating world of literature, fostering a global community of readers. Conclusion: Embracing the Kindle Experience Kato Generator Manual E-book books Kato Generator Manual, with their inherent convenience, flexibility, and vast array of titles, have undoubtedly transformed the way we encounter literature. They offer readers the liberty to discover the boundless realm of written expression, whenever, everywhere. As we continue to travel the ever-evolving online scene, Kindle books stand as testament to the lasting power of storytelling, ensuring that the joy of reading remains accessible to all.

<https://staging.conocer.cide.edu/data/publication/index.jsp/Hesi%20Fundamentals%20Practice%20Test.pdf>

Table of Contents Kato Generator Manual

1. Understanding the eBook Kato Generator Manual
 - The Rise of Digital Reading Kato Generator Manual
 - Advantages of eBooks Over Traditional Books
2. Identifying Kato Generator Manual
 - Exploring Different Genres
 - Considering Fiction vs. Non-Fiction
 - Determining Your Reading Goals
3. Choosing the Right eBook Platform
 - Popular eBook Platforms
 - Features to Look for in an Kato Generator Manual
 - User-Friendly Interface
4. Exploring eBook Recommendations from Kato Generator Manual
 - Personalized Recommendations
 - Kato Generator Manual User Reviews and Ratings
 - Kato Generator Manual and Bestseller Lists
5. Accessing Kato Generator Manual Free and Paid eBooks
 - Kato Generator Manual Public Domain eBooks
 - Kato Generator Manual eBook Subscription Services
 - Kato Generator Manual Budget-Friendly Options
6. Navigating Kato Generator Manual eBook Formats
 - ePub, PDF, MOBI, and More
 - Kato Generator Manual Compatibility with Devices
 - Kato Generator Manual Enhanced eBook Features
7. Enhancing Your Reading Experience
 - Adjustable Fonts and Text Sizes of Kato Generator Manual
 - Highlighting and Note-Taking Kato Generator Manual
 - Interactive Elements Kato Generator Manual
8. Staying Engaged with Kato Generator Manual

- Joining Online Reading Communities
 - Participating in Virtual Book Clubs
 - Following Authors and Publishers Kato Generator Manual
9. Balancing eBooks and Physical Books Kato Generator Manual
- Benefits of a Digital Library
 - Creating a Diverse Reading Collection Kato Generator Manual
10. Overcoming Reading Challenges
- Dealing with Digital Eye Strain
 - Minimizing Distractions
 - Managing Screen Time
11. Cultivating a Reading Routine Kato Generator Manual
- Setting Reading Goals Kato Generator Manual
 - Carving Out Dedicated Reading Time
12. Sourcing Reliable Information of Kato Generator Manual
- Fact-Checking eBook Content of Kato Generator Manual
 - Distinguishing Credible Sources
13. Promoting Lifelong Learning
- Utilizing eBooks for Skill Development
 - Exploring Educational eBooks
14. Embracing eBook Trends
- Integration of Multimedia Elements
 - Interactive and Gamified eBooks

Kato Generator Manual Introduction

In this digital age, the convenience of accessing information at our fingertips has become a necessity. Whether its research papers, eBooks, or user manuals, PDF files have become the preferred format for sharing and reading documents. However, the cost associated with purchasing PDF files can sometimes be a barrier for many individuals and organizations. Thankfully, there are numerous websites and platforms that allow users to download free PDF files legally. In this article, we will explore some of the best platforms to download free PDFs. One of the most popular platforms to download free PDF files is Project Gutenberg. This online library offers over 60,000 free eBooks that are in the public domain. From classic literature to

historical documents, Project Gutenberg provides a wide range of PDF files that can be downloaded and enjoyed on various devices. The website is user-friendly and allows users to search for specific titles or browse through different categories. Another reliable platform for downloading Kato Generator Manual free PDF files is Open Library. With its vast collection of over 1 million eBooks, Open Library has something for every reader. The website offers a seamless experience by providing options to borrow or download PDF files. Users simply need to create a free account to access this treasure trove of knowledge. Open Library also allows users to contribute by uploading and sharing their own PDF files, making it a collaborative platform for book enthusiasts. For those interested in academic resources, there are websites dedicated to providing free PDFs of research papers and scientific articles. One such website is Academia.edu, which allows researchers and scholars to share their work with a global audience. Users can download PDF files of research papers, theses, and dissertations covering a wide range of subjects. Academia.edu also provides a platform for discussions and networking within the academic community. When it comes to downloading Kato Generator Manual free PDF files of magazines, brochures, and catalogs, Issuu is a popular choice. This digital publishing platform hosts a vast collection of publications from around the world. Users can search for specific titles or explore various categories and genres. Issuu offers a seamless reading experience with its user-friendly interface and allows users to download PDF files for offline reading. Apart from dedicated platforms, search engines also play a crucial role in finding free PDF files. Google, for instance, has an advanced search feature that allows users to filter results by file type. By specifying the file type as "PDF," users can find websites that offer free PDF downloads on a specific topic. While downloading Kato Generator Manual free PDF files is convenient, it's important to note that copyright laws must be respected. Always ensure that the PDF files you download are legally available for free. Many authors and publishers voluntarily provide free PDF versions of their work, but it's essential to be cautious and verify the authenticity of the source before downloading Kato Generator Manual. In conclusion, the internet offers numerous platforms and websites that allow users to download free PDF files legally. Whether it's classic literature, research papers, or magazines, there is something for everyone. The platforms mentioned in this article, such as Project Gutenberg, Open Library, Academia.edu, and Issuu, provide access to a vast collection of PDF files. However, users should always be cautious and verify the legality of the source before downloading Kato Generator Manual any PDF files. With these platforms, the world of PDF downloads is just a click away.

FAQs About Kato Generator Manual Books

How do I know which eBook platform is the best for me? Finding the best eBook platform depends on your reading preferences and device compatibility. Research different platforms, read user reviews, and explore their features before

making a choice. Are free eBooks of good quality? Yes, many reputable platforms offer high-quality free eBooks, including classics and public domain works. However, make sure to verify the source to ensure the eBook credibility. Can I read eBooks without an eReader? Absolutely! Most eBook platforms offer webbased readers or mobile apps that allow you to read eBooks on your computer, tablet, or smartphone. How do I avoid digital eye strain while reading eBooks? To prevent digital eye strain, take regular breaks, adjust the font size and background color, and ensure proper lighting while reading eBooks. What the advantage of interactive eBooks? Interactive eBooks incorporate multimedia elements, quizzes, and activities, enhancing the reader engagement and providing a more immersive learning experience. Kato Generator Manual is one of the best book in our library for free trial. We provide copy of Kato Generator Manual in digital format, so the resources that you find are reliable. There are also many Ebooks of related with Kato Generator Manual. Where to download Kato Generator Manual online for free? Are you looking for Kato Generator Manual PDF? This is definitely going to save you time and cash in something you should think about. If you trying to find then search around for online. Without a doubt there are numerous these available and many of them have the freedom. However without doubt you receive whatever you purchase. An alternate way to get ideas is always to check another Kato Generator Manual. This method for see exactly what may be included and adopt these ideas to your book. This site will almost certainly help you save time and effort, money and stress. If you are looking for free books then you really should consider finding to assist you try this. Several of Kato Generator Manual are for sale to free while some are payable. If you arent sure if the books you would like to download works with for usage along with your computer, it is possible to download free trials. The free guides make it easy for someone to free access online library for download books to your device. You can get free download on free trial for lots of books categories. Our library is the biggest of these that have literally hundreds of thousands of different products categories represented. You will also see that there are specific sites catered to different product types or categories, brands or niches related with Kato Generator Manual. So depending on what exactly you are searching, you will be able to choose e books to suit your own need. Need to access completely for Campbell Biology Seventh Edition book? Access Ebook without any digging. And by having access to our ebook online or by storing it on your computer, you have convenient answers with Kato Generator Manual To get started finding Kato Generator Manual, you are right to find our website which has a comprehensive collection of books online. Our library is the biggest of these that have literally hundreds of thousands of different products represented. You will also see that there are specific sites catered to different categories or niches related with Kato Generator Manual So depending on what exactly you are searching, you will be able to choose ebook to suit your own need. Thank you for reading Kato Generator Manual. Maybe you have knowledge that, people have search numerous times for their favorite readings like this Kato Generator Manual, but end up in harmful downloads. Rather than reading a good book with a cup of coffee in the afternoon, instead they juggled with some harmful bugs inside their laptop. Kato Generator Manual is available in our book collection an

online access to it is set as public so you can download it instantly. Our digital library spans in multiple locations, allowing you to get the most less latency time to download any of our books like this one. Merely said, Kato Generator Manual is universally compatible with any devices to read.

Find Kato Generator Manual :

hesi fundamentals practice test

high heat infatuation five explicit erotica stories english edition

[hero honda passion pro wiring schematic](#)

[hesston 5500 round baler operator manual](#)

[hewlett packard hp deskjet 930c manual](#)

high school basketball coaching portfolio

hfm user guide

hibbeler dynamics solutions manual

hg wells research paper

highlander in her bed forbidden fantasy book 2

[hesi crne exam canadian](#)

[highway maintainer study guide](#)

[hewlett packard hp d530 sff manual](#)

hesi specialty exams study guide

hesi mental health test bank

Kato Generator Manual :

research proposal on hospitality industry - Sep 25 2022

web dec 23 2013 free sample of hospitality industry research paper proposal read tips how to succeed in proposal writing
free research paper samples research

[how to research and write a thesis in hospitality and tourism](#) - Aug 05 2023

3 1 introduction 9 3 2 secondary research method literature review 9 3 3 case study 10 3 3 1 research design 10 3 2 2 the
sample 11 3 2 3 the process 11 see more

sample research proposal hospitality industry pdf - Nov 15 2021

web 2 sample research proposal hospitality industry 2023 10 22 thus the industry has become an important policy tool for community and regional development in many

quora a place to share knowledge and better understand the world - Mar 20 2022

web we would like to show you a description here but the site won t allow us

sample research proposal hospitality industry pdf - Feb 16 2022

web examples which cover a broad range of hospitality sectors including in flight catering holiday homes guest houses licensed retail catering international restaurants and

research proposal hospitality 55619 draft dissertation - Apr 01 2023

web jan 10 2023 hospitality industry consists of casinos resorts restaurants hotels catering as well as other businesses that serve the tourists at its core hospitality can

hospitality proposal sample to make your business stand out - May 22 2022

web if you re a hospitality company offering hospitality services our beautifully designed free sample proposal template provides an example for how to pitch your services the

142 original hospitality research topics that are 100 free - Aug 25 2022

web our skilled writers have created a list of the best and most interesting hospitality management research paper topics for you the role of the general manager of a hotel

190 best hospitality research topics and ideas great - Oct 27 2022

web jul 27 2023 list of hospitality research topics and ideas hospitality is a broad field with endless research topics to consider when it comes to writing a hospitality

research proposal on hospitality industry desklib - Jul 04 2023

web table 4 7 ranking of perspective used by hotel to differentiate the hotel in hospitality industry from competition table 4 8 competition in the hotel industry table 4 8 1

research proposal paper sample management in the - Jul 24 2022

web mar 4 2022 this essay sample has the objective of determining the factors that influence the level of customer satisfaction and the link between service demands in the

tourism and hospitality dissertation topics and titles - May 02 2023

web this document presents a research proposal on the hospitality industry it examines the trends and challenges in the industry and provides a detailed methodology for the

research proposal on hospitality industry free essay example - Apr 20 2022

web sep 14 2018 research proposal on hospitality industry tourism hospitality industry is the complex industry which

includes various forms of business like hotels

sample research proposal on tourism and hospitality - Jan 30 2023

web apr 2 2020 abstract hospitality and tourism entrepreneurship is a multidisciplinary field of study that involves preparation of persons to become innovative entrepreneurs

hospitality industry research topics ideas 2023 - Jun 22 2022

web jul 14 2021 hospitality industry research paper topics ideas 2023 published 14 july 2021 finding good hospitality research topics on hospitality management is very

luxury hotel industry research proposal examples - Nov 27 2022

web mar 16 2020 in the hospitality industry singapore offers a variety of accommodation facilities there are good hotels and motels that serve diverse clientele base the hotels

sample research proposal hospitality industry pdf store spiralny - Dec 17 2021

web 2 sample research proposal hospitality industry 2022 04 11 retail catering international restaurants and hotels ensuring you have a thorough understanding of the

research proposal pdf customer satisfaction hotel - Dec 29 2022

web executive summary the research proposal is on customer satisfaction and loyalty in hotel and restaurant industry the proposal includes definitions of satisfaction and loyalty

dhs to double h 2b visas in fy2024 shrm - Oct 15 2021

web 5 hours ago dhs will provide an additional 64 716 h 2b temporary worker visas for the 2024 fiscal year beginning oct 1 on top of the 66 000 h 2b visas already available each

130 hospitality research topics that need to - Feb 28 2023

web the research proposal will be guided by the following set of objectives 1 to determine the historical and current trends of culture impacts in hotel and hospitality industry 2 to

hospitality research proposals samples for students - Oct 07 2023

section 1 introduction 4 1 1 purpose of the proposal 4 1 2 research aim 4 1 3 research questions and objectives 4 1 4

research hypothesis 5 1 5 background and overview of business 5 see more

pdf research in hospitality management - Jun 03 2023

web description a comprehensive guide to academic research methods that focuses on two of the world s fastest growing industries as tourism continues to play a larger role in

sample research proposal hospitality industry - Jan 18 2022

web oct 30 2023 2 sample research proposal hospitality industry 2022 05 21 sample research proposal hospitality industry

omb no 7685103092617 edited by angel

a research project report submitted in partial - Sep 06 2023

2 1 introduction 6 2 2 micro and macro economic indicators and business confidence 6 2 3 recent trends strategies and the market potential 7 2 4 consumer see more

histoire de l arménie by annie mahé jean pierre mahé - Nov 05 2022

web un livre clair et facile à lire une oeuvre monumentale jean pierre mahé travaille depuis des années à l écriture délicate de cette histoire de l arménie qui n avait jamais été

arménie wikipédia - Jan 07 2023

web la cuisine de l arménie et de sa diaspora est riche de sa diversité qui s est forgée au cours de l histoire tantôt influencée par le moyen orient tantôt par la grèce et l iran cette

l histoire des kamikazes à travers l histoire des juifs fanatiques - Dec 06 2022

web 2 days ago les attentats suicides du 11 septembre 2001 qui ont fait 2 977 morts ne sont pas les seuls de l époque moderne à avoir créé autant de dégâts l histoire a connu de

histoire de l arma c nie pdf uniport edu - Sep 03 2022

web mar 4 2023 histoire de l arma c nie 1 3 downloaded from uniport edu ng on march 4 2023 by guest histoire de l arma c nie right here we have countless books histoire

histoire de l arma c nie pdf uniport edu - Mar 29 2022

web apr 6 2023 histoire de l académie royale des inscriptions et belles lettres avec les mémoires de littérature tirez des registres de cette académie 1729 collection des

esquisse de l histoire de l arma c nie coup d oeil sur - Apr 10 2023

web esquisse de l histoire de l arma c nie coup d oeil sur l arma c nie ancienne et sur son a c tat actuel book read reviews from world s largest community

chronologie de l histoire de l arménie wikipédia - Aug 22 2021

web mai 1918 batailles de sardapararat de karakilisa et d aparan défaites ottomanes 28 mai 1918 proclamation de la première république d arménie 4 juin 1918 par le traité de

catégorie ancienne capitale de l arménie wikipédia - Jan 27 2022

web la dernière modification de cette page a été faite le 10 janvier 2018 à 15 10 droit d auteur les textes sont disponibles sous licence creative commons attribution partage dans les

histoire de l arménie by annie mahé jean pierre mahé - Oct 24 2021

web aug 31 2023 histoire de l arménie by annie mahé jean pierre mahé 100 cousu la ment bler le manque de pnj dans

fallout 76 l abri arma 3 coop vts amp xmedsys l

l histoire de la grande arma c nie a0 00d 1836 goodreads - Mar 09 2023

web mar 26 2012 l histoire de la grande arma c nie book read reviews from world s largest community for readers l histoire de la grande arma c niedate de l a c dition

histoire de l arma c nie help environment harvard edu - Oct 04 2022

web this histoire de l arma c nie as one of the most involved sellers here will agreed be in the middle of the best options to review nouvelles annales des voyages de la

histoire de l arma c nie book help environment harvard edu - Feb 08 2023

web you could enjoy now is histoire de l arma c nie below histoire de l académie royale des inscriptions et belles lettres académie des inscriptions belles lettres france 1729

histoire de l arma c nie help environment harvard edu - Sep 22 2021

web histoire de l arma c nie if you ally need such a referred histoire de l arma c nie books that will present you worth acquire the utterly best seller from us currently from several

histoire de l arma c nie pdf 2023 pakhisharma - Apr 29 2022

web histoire de l arma c nie pdf in some sort of consumed by screens and the ceaseless chatter of instantaneous communication the melodic elegance and emotional symphony

guerre arméno turque wikipédia - Jul 01 2022

web la guerre arméno turque ou guerre turco arménienne en turc türk ermeni cephesi fut un conflit concernant la république d arménie et les révolutionnaires du mouvement

histoire de l arma c nie pdf uniport edu - Aug 02 2022

web apr 15 2023 l histoire de l eglise et du monde pour servir de continuation à l histoire de l eglise et de l empire de mr le sueur avec quelques courtes dissertations et reflexions

histoire de l arma c nie pdf admision cbp edu - May 11 2023

web histoire des antiquités de la ville de l aigle et de ses environs ouvrage posthume de j f g v Édité et publié par sa famille biographie universelle ancienne et moderne

histoire documentaire de l arma c nie des a ges du paganisme - Aug 14 2023

web histoire documentaire de l arma c nie des a ges du paganisme 1410 av 305 apr j c vol 1 pra c ca c da c e de questions ethnographiques linguistiques et archa c ologiques et sui yazar joseph sandalgian

histoire documentaire de l arma c nie des a ges du paganisme - Dec 26 2021

web histoire documentaire de l arma c nie des a ges du paganisme 1410 av 305 apr j c vol 2 classic reprint yazar joseph

sandalgian yayinevleri forgotten books

histoire d arma c nie by jean vi goodreads - Jul 13 2023

web apr 28 2013 histoire d arma c nie book read reviews from world s largest community for readers histoire d arma c nie par le patriarche jean vi dit jean catholico

histoire de l arma c nie full pdf customizer monos - Nov 24 2021

web histoire de l arma c e et de tous les ra c giments depuis les premiers temps de la monarchie franaaise jusqua nos jours dictionnaire d archéologie

histoire de l arménie médiévale wikipédia - Feb 25 2022

web une forme de gouvernement centralisé émerge dans la région avec l avènement des princes roupénides durant le xiie siècle ils combattent les byzantins pour la

histoire de l arma c nie pdf uniport edu - May 31 2022

web may 24 2023 histoire de l eglise et du monde pour servir de continuation l histoire de l eglise et de l empire de mr le sueur avec

collection des historiens anciens et modernes de l arma c nie - Jun 12 2023

web collection des historiens anciens et modernes de l arma c nie vol 1 premiere pa c riode historiens grecs et syriens traduits anciennement en arma c nien classic

marketing or advertising proposal letter - Jul 04 2022

web oct 3 2023 two radio advertisements warn against federal net zero rules they re part of an 8 million campaign from the alberta government on a wide range of television web

advertising proposal 20 examples format pdf - May 14 2023

web dale eckman 1001 jett lane theory to joanne crossland 1837 romrog way thom mcan store hello joanne crossland thanks for giving me the opportunity to present this

billboard advertisement proposal template for word free - Oct 27 2021

advertising proposal template proposal templates indy - Sep 06 2022

web sample online advertising proposal letter i am writing this letter to introduce about my self am peterson the owner of healthiswealth com web portal and i have launched

ceos call on harvard to name students linked to statement - Aug 25 2021

letter for advertisement services proposal free sample - Apr 01 2022

web 1 day ago letters include repurposing existing building to help housing demands and proposed climate change fixes aren't proven news sports opinion entertainment

online advertising proposal letter sample emails and letters - Nov 27 2021

17 advertising proposal templates word pdf pages google - Aug 05 2022

web jul 17 2023 i have already designed a proposal for the advertisement and attached it with the following letter to help you in taking the decision kindly consider my request at

how to create with advertising proposal free template - Jan 30 2022

how to create an advertising proposal free template - Jul 16 2023

web selling your advertising benefits can be a challenge so we've made it simplicity with a polished propaganda proposal that her can customize and use from your own brand

advertising proposal template get free sample - Sep 18 2023

web send a proposal letter or a doc with information on how the agency plans to undertake your project this document will either be shared in the format of a word doc or a pdf file and will include a few samples plans and strategy if the project is ready to rumble we begin

letters beneficial path to more housing an unknown problem - Jun 22 2021

advertising proposal template free sample proposable - Nov 08 2022

web apr 30 2023 4 sample advertising proposal sample letter templates sample letter 1 subject your company advertising proposal for client's company product

free advertising proposal template 2023 bonsai - Dec 29 2021

4 sample advertising proposal sample letter templates - Feb 28 2022

advertising proposal template free sample proposable - Jun 15 2023

web at the top of the proposal itself you should create a title page which contains a name for your proposal keep that simple and descriptive using titles like s t design services

advertising proposal template proposify - Dec 09 2022

web oct 30 2022 sample letter 1 subject advertisement proposal for xyz dear mr abc i am writing this letter on behalf of my

advertising agency mention the name that has

free 12 sample advertising proposal letter - Aug 17 2023

web an advertising sales proposal introduces itself with a personalized cover letter which outlines what will be included in the proposal it also gives a general overview of the

advertising proposal letter template net - Mar 12 2023

web subject marketing or advertising proposal dear recipient s name i hope this letter finds you well i am writing to present a comprehensive marketing or advertising

8m alberta advertising campaign against federal net zero rules - Sep 25 2021

free advertising sales proposal template get 2023 - Apr 13 2023

web details file format google docs ms word pages size a4 us download now make your business professional with a template that will help you build a brand persuade potential

free advertising proposal templates revv - Jan 10 2023

web include your contact information in your advertising proposal this is important especially if a client would need to contact you for any questions regarding the project the

guide to free advertising proposal sample letter ink - Jun 03 2022

web oct 11 2023 billionaire hedge fund ceo bill ackman and several other business leaders are demanding harvard university release the names of students whose organizations

how to write an advertising or marketing business proposal - Oct 07 2022

web mar 11 2021 learn how to develop your advertising proposal so you can received moving on your advertising undertaking sooner and maximize revenue from it learn

free 18 advertising proposal templates in ms word pdf - May 02 2022

web oct 12 2023 the hamas terrorists who murdered babies in their cribs last week weren t stamped with pathological hatred at birth it was an acquired habit the result of a

hamas terror holds a warning for extremism in american - Jul 24 2021

10 advertising proposal templates pdf google - Feb 11 2023

web the key components of a successful advertising proposal letter include an introduction problem statement proposed solution budget timeline and call to action by following