

LUBRICATION POINTS

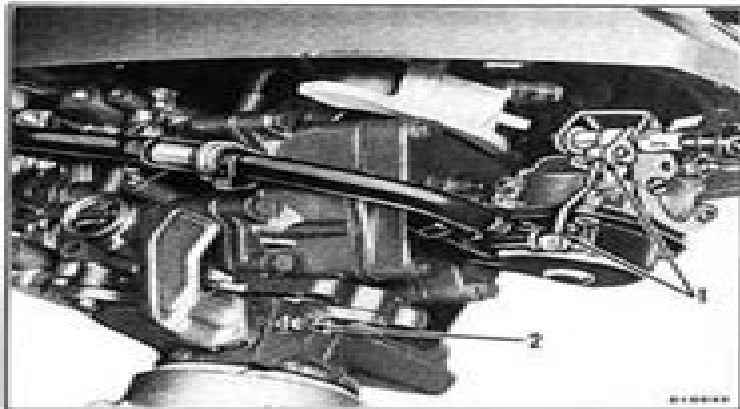


Figure 2-1. Shift Lever and Carburetor Linkage

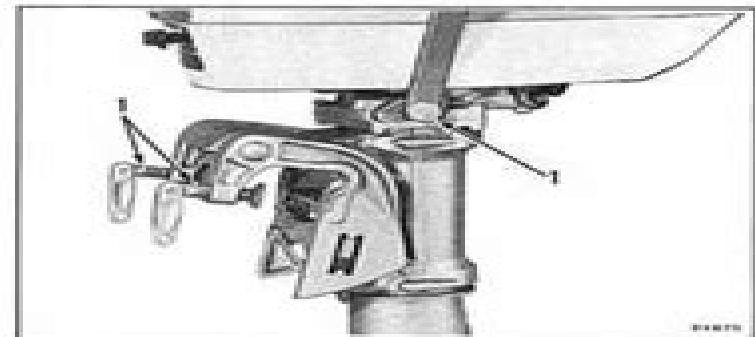


Figure 2-3. Steering Handle Pivot, Detent, and Clamp Screws

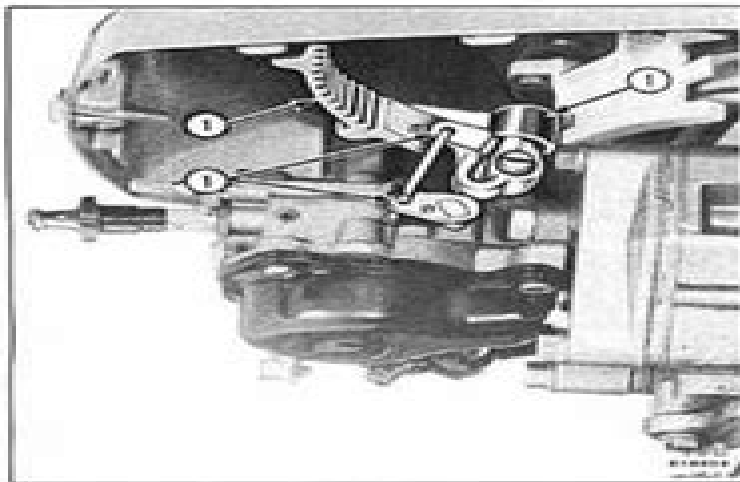
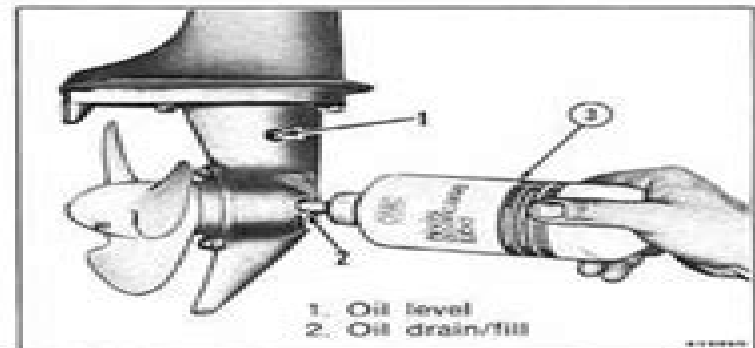
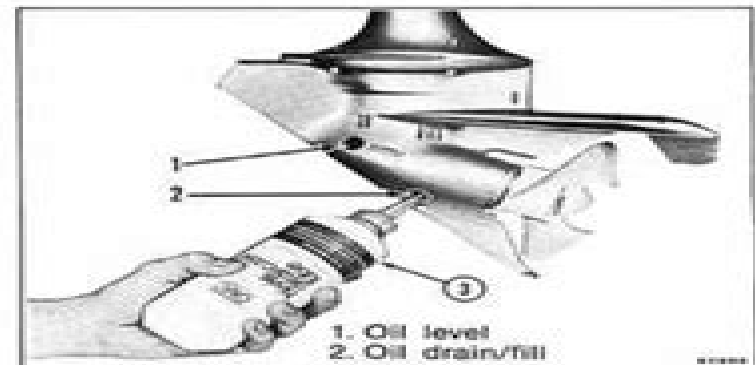


Figure 2-2. Cam Follower, Carburetor Linkage, and Choke Rod



1. Oil level
2. Oil drain/fill

Figure 2-4. Standard Gearcase



1. Oil level
2. Oil drain/fill

Figure 2-5. Weedless Gearcase

Evinrude 4hp Outboard 1981 Repair Manual

R Sandford



Evinrude 4hp Outboard 1981 Repair Manual:

Popular Mechanics ,1982-01 Popular Mechanics inspires instructs and influences readers to help them master the modern world Whether it s practical DIY home improvement tips gadgets and digital technology information on the newest cars or the latest breakthroughs in science PM is the ultimate guide to our high tech lifestyle **Popular Mechanics** ,1982

Australian Books in Print ,1984 **Popular Mechanics** ,1981-06 Popular Mechanics inspires instructs and influences readers to help them master the modern world Whether it s practical DIY home improvement tips gadgets and digital technology information on the newest cars or the latest breakthroughs in science PM is the ultimate guide to our high tech lifestyle **Atlantic Fisherman** ,1981-05 Evinrude Service Manual 1977, Euro-4hp. Model 47B36B, 47B66B, 47B37B, 47B67B. ,1976 *Evinrude Outboard Motor Service Manual* Evinrude Motors. Service Division,1956

Johnson/Evinrude Outboards 1992-01 Repair Manual Kevin M. G. Maher,2003 Covers all V Engines 65 Jet 300HP V4 V6 and V8 models Also includes Special Tool and Skill Level Icons for each procedure from publisher s website

1973-1982 Johnson/Evinrude Outboard Tune-up and Repair Manual Clarence W. Coles,1982 **Seloc's Johnson/Evinrude Outboard** Joan Coles,Clarence W. Coles,1989 *Seloc's Johnson/Evinrude Outboard* Joan Coles,Clarence W. Coles,1998-03 SELOC Marine maintenance and repair manuals offer the most comprehensive authoritative information available for outboard inboard stern drive and diesel engines as well as personal watercraft SELOC has been the leading source of how to information for the marine industry since 1974 Designed and written to serve the needs of the professional mechanic do it yourself boat enthusiast instructor and student these manuals are based on actual teardowns done by Chilton Marine s editors authors in our on site facility Providing complete coverage on everything from basic maintenance to engine overhaul every manual features Simple to follow step by step illustrated procedures Hundreds of exploded drawings photographs and tables Troubleshooting sections accurate specifications and wiring diagrams Recognized and used by technical trade schools as well as the U S military Covers all 80 300 Hp V4 V6 and V8 2 stroke models Johnson/Evinrude Four-stroke outboard Motor Shop Manual Penton Staff,2000-05-24 5 HP 1997 2001 6 HP 1997 2001 8 HP 1995 2001 9 9 HP 211cc 1997 1998 9 9 HP 305cc 1995 2001 15 HP 1995 2001 40 HP 1999 2001 50 HP 1999 2001 70 HP 1999 2001 *Seloc's Johnson/Evinrude Outboard* Clarence W. Coles,Howard U. Young,1900

Evinrude/Johnson Outboard Shop Manual, 2-40 Hp, 1973-1989 Clymer Publications,1990-01-01 Seloc's Johnson Evinrude Outboard. (V.2) : Tune-up and Repair Manual ,1983 Evinrude Service Manual, 1975 Outboard Marine Corporation. Evinrude Motors Division,1974 *Evinrude 1 1/2 to 40 Hp. Outboard Motor Service Manual* Outboard Marine Corporation. Evinrude Motors Division,1976 **Seloc Johnson/Evinrude Outboards** Kevin M. G. Maher,2009 Evinrude 50 to 135 Hp. Outboard Motor Service Manual Outboard Marine Corporation. Evinrude Motors Division,1976 **Seloc's Johnson/Evinrude Outboard** Joan Coles,Clarence W. Coles,1995 SELOC Marine maintenance and repair manuals offer the

most comprehensive authoritative information available for outboard inboard stern drive and diesel engines as well as personal watercraft SELOC has been the leading source of how to information for the marine industry since 1974 Designed and written to serve the needs of the professional mechanic do it yourself boat enthusiast instructor and student these manuals are based on actual teardowns done by Chilton Marine s editors authors in our on site facility Providing complete coverage on everything from basic maintenance to engine overhaul every manual features Simple to follow step by step illustrated procedures Hundreds of exploded drawings photographs and tables Troubleshooting sections accurate specifications and wiring diagrams Recognized and used by technical trade schools as well as the U S military Covers all 1 50 Hp 1 and 2 cylinder 2 stroke models including fuel injected units Over 1 200 illustrations

Decoding **Evinrude 4hp Outboard 1981 Repair Manual**: Revealing the Captivating Potential of Verbal Expression

In a time characterized by interconnectedness and an insatiable thirst for knowledge, the captivating potential of verbal expression has emerged as a formidable force. Its power to evoke sentiments, stimulate introspection, and incite profound transformations is genuinely awe-inspiring. Within the pages of "**Evinrude 4hp Outboard 1981 Repair Manual**," a mesmerizing literary creation penned by a celebrated wordsmith, readers set about an enlightening odyssey, unraveling the intricate significance of language and its enduring affect our lives. In this appraisal, we shall explore the book is central themes, evaluate its distinctive writing style, and gauge its pervasive influence on the hearts and minds of its readership.

<https://staging.conocer.cide.edu/data/detail/fetch.php/intima%20atraccion.pdf>

Table of Contents Evinrude 4hp Outboard 1981 Repair Manual

1. Understanding the eBook Evinrude 4hp Outboard 1981 Repair Manual
 - The Rise of Digital Reading Evinrude 4hp Outboard 1981 Repair Manual
 - Advantages of eBooks Over Traditional Books
2. Identifying Evinrude 4hp Outboard 1981 Repair Manual
 - Exploring Different Genres
 - Considering Fiction vs. Non-Fiction
 - Determining Your Reading Goals
3. Choosing the Right eBook Platform
 - Popular eBook Platforms
 - Features to Look for in an Evinrude 4hp Outboard 1981 Repair Manual
 - User-Friendly Interface
4. Exploring eBook Recommendations from Evinrude 4hp Outboard 1981 Repair Manual
 - Personalized Recommendations
 - Evinrude 4hp Outboard 1981 Repair Manual User Reviews and Ratings
 - Evinrude 4hp Outboard 1981 Repair Manual and Bestseller Lists

5. Accessing Evinrude 4hp Outboard 1981 Repair Manual Free and Paid eBooks
 - Evinrude 4hp Outboard 1981 Repair Manual Public Domain eBooks
 - Evinrude 4hp Outboard 1981 Repair Manual eBook Subscription Services
 - Evinrude 4hp Outboard 1981 Repair Manual Budget-Friendly Options
6. Navigating Evinrude 4hp Outboard 1981 Repair Manual eBook Formats
 - ePub, PDF, MOBI, and More
 - Evinrude 4hp Outboard 1981 Repair Manual Compatibility with Devices
 - Evinrude 4hp Outboard 1981 Repair Manual Enhanced eBook Features
7. Enhancing Your Reading Experience
 - Adjustable Fonts and Text Sizes of Evinrude 4hp Outboard 1981 Repair Manual
 - Highlighting and Note-Taking Evinrude 4hp Outboard 1981 Repair Manual
 - Interactive Elements Evinrude 4hp Outboard 1981 Repair Manual
8. Staying Engaged with Evinrude 4hp Outboard 1981 Repair Manual
 - Joining Online Reading Communities
 - Participating in Virtual Book Clubs
 - Following Authors and Publishers Evinrude 4hp Outboard 1981 Repair Manual
9. Balancing eBooks and Physical Books Evinrude 4hp Outboard 1981 Repair Manual
 - Benefits of a Digital Library
 - Creating a Diverse Reading Collection Evinrude 4hp Outboard 1981 Repair Manual
10. Overcoming Reading Challenges
 - Dealing with Digital Eye Strain
 - Minimizing Distractions
 - Managing Screen Time
11. Cultivating a Reading Routine Evinrude 4hp Outboard 1981 Repair Manual
 - Setting Reading Goals Evinrude 4hp Outboard 1981 Repair Manual
 - Carving Out Dedicated Reading Time
12. Sourcing Reliable Information of Evinrude 4hp Outboard 1981 Repair Manual
 - Fact-Checking eBook Content of Evinrude 4hp Outboard 1981 Repair Manual
 - Distinguishing Credible Sources
13. Promoting Lifelong Learning

- Utilizing eBooks for Skill Development
 - Exploring Educational eBooks
14. Embracing eBook Trends
- Integration of Multimedia Elements
 - Interactive and Gamified eBooks

Evinrude 4hp Outboard 1981 Repair Manual Introduction

Evinrude 4hp Outboard 1981 Repair Manual Offers over 60,000 free eBooks, including many classics that are in the public domain. Open Library: Provides access to over 1 million free eBooks, including classic literature and contemporary works. Evinrude 4hp Outboard 1981 Repair Manual Offers a vast collection of books, some of which are available for free as PDF downloads, particularly older books in the public domain. Evinrude 4hp Outboard 1981 Repair Manual : This website hosts a vast collection of scientific articles, books, and textbooks. While it operates in a legal gray area due to copyright issues, its a popular resource for finding various publications. Internet Archive for Evinrude 4hp Outboard 1981 Repair Manual : Has an extensive collection of digital content, including books, articles, videos, and more. It has a massive library of free downloadable books. Free-eBooks Evinrude 4hp Outboard 1981 Repair Manual Offers a diverse range of free eBooks across various genres. Evinrude 4hp Outboard 1981 Repair Manual Focuses mainly on educational books, textbooks, and business books. It offers free PDF downloads for educational purposes. Evinrude 4hp Outboard 1981 Repair Manual Provides a large selection of free eBooks in different genres, which are available for download in various formats, including PDF. Finding specific Evinrude 4hp Outboard 1981 Repair Manual, especially related to Evinrude 4hp Outboard 1981 Repair Manual, might be challenging as theyre often artistic creations rather than practical blueprints. However, you can explore the following steps to search for or create your own Online Searches: Look for websites, forums, or blogs dedicated to Evinrude 4hp Outboard 1981 Repair Manual, Sometimes enthusiasts share their designs or concepts in PDF format. Books and Magazines Some Evinrude 4hp Outboard 1981 Repair Manual books or magazines might include. Look for these in online stores or libraries. Remember that while Evinrude 4hp Outboard 1981 Repair Manual, sharing copyrighted material without permission is not legal. Always ensure youre either creating your own or obtaining them from legitimate sources that allow sharing and downloading. Library Check if your local library offers eBook lending services. Many libraries have digital catalogs where you can borrow Evinrude 4hp Outboard 1981 Repair Manual eBooks for free, including popular titles. Online Retailers: Websites like Amazon, Google Books, or Apple Books often sell eBooks. Sometimes, authors or publishers offer promotions or free periods for certain books. Authors Website Occasionally, authors provide excerpts or short stories for free on their websites. While this might not be the Evinrude 4hp Outboard 1981 Repair Manual full book , it can give you a taste

of the authors writing style. Subscription Services Platforms like Kindle Unlimited or Scribd offer subscription-based access to a wide range of Evinrude 4hp Outboard 1981 Repair Manual eBooks, including some popular titles.

FAQs About Evinrude 4hp Outboard 1981 Repair Manual Books

1. Where can I buy Evinrude 4hp Outboard 1981 Repair Manual books? Bookstores: Physical bookstores like Barnes & Noble, Waterstones, and independent local stores. Online Retailers: Amazon, Book Depository, and various online bookstores offer a wide range of books in physical and digital formats.
2. What are the different book formats available? Hardcover: Sturdy and durable, usually more expensive. Paperback: Cheaper, lighter, and more portable than hardcovers. E-books: Digital books available for e-readers like Kindle or software like Apple Books, Kindle, and Google Play Books.
3. How do I choose a Evinrude 4hp Outboard 1981 Repair Manual book to read? Genres: Consider the genre you enjoy (fiction, non-fiction, mystery, sci-fi, etc.). Recommendations: Ask friends, join book clubs, or explore online reviews and recommendations. Author: If you like a particular author, you might enjoy more of their work.
4. How do I take care of Evinrude 4hp Outboard 1981 Repair Manual books? Storage: Keep them away from direct sunlight and in a dry environment. Handling: Avoid folding pages, use bookmarks, and handle them with clean hands. Cleaning: Gently dust the covers and pages occasionally.
5. Can I borrow books without buying them? Public Libraries: Local libraries offer a wide range of books for borrowing. Book Swaps: Community book exchanges or online platforms where people exchange books.
6. How can I track my reading progress or manage my book collection? Book Tracking Apps: Goodreads, LibraryThing, and Book Catalogue are popular apps for tracking your reading progress and managing book collections. Spreadsheets: You can create your own spreadsheet to track books read, ratings, and other details.
7. What are Evinrude 4hp Outboard 1981 Repair Manual audiobooks, and where can I find them? Audiobooks: Audio recordings of books, perfect for listening while commuting or multitasking. Platforms: Audible, LibriVox, and Google Play Books offer a wide selection of audiobooks.
8. How do I support authors or the book industry? Buy Books: Purchase books from authors or independent bookstores. Reviews: Leave reviews on platforms like Goodreads or Amazon. Promotion: Share your favorite books on social media or recommend them to friends.
9. Are there book clubs or reading communities I can join? Local Clubs: Check for local book clubs in libraries or

community centers. Online Communities: Platforms like Goodreads have virtual book clubs and discussion groups.

10. Can I read Evinrude 4hp Outboard 1981 Repair Manual books for free? Public Domain Books: Many classic books are available for free as they're in the public domain. Free E-books: Some websites offer free e-books legally, like Project Gutenberg or Open Library.

Find Evinrude 4hp Outboard 1981 Repair Manual :

intima atraccion

interpreting america russian and soviet studies of the history of american thought

interval neutrosophic sets and logic theory and applications in computing

internet effective online communication

interviewing in context

interpreter of maladies stories of bengal boston and beyond

internet unplugged utilities and techniques for internet productivityonline and off

intersections readings in sociology & taking a stand 3rd ed. package

international relations relations with student website pincode

internet terms and popular internet addresses

interpreting dreams for self discovery

international sunday school lessons standard lesson commentary 1990-1991

international practice of anaesthesia

interpreting the landscape from the air

intimate worlds life inside the family

Evinrude 4hp Outboard 1981 Repair Manual :

Culturally Alert Counseling: A Comprehensive Introduction ... The Second Edition of Culturally Alert Counseling is a thorough update to the first comprehensive guide to culturally alert counseling, complete with a ... Culturally Alert Counseling A Comprehensive Introduction Culturally Alert Counseling: A Comprehensive Introduction is a reader-friendly introduction to the cultural dimensions of counseling and psychotherapy. Editor ... Culturally Alert Counseling: A Comprehensive Introduction Culturally Alert Counseling: A Comprehensive Introduction is a reader-friendly introduction to the cultural dimensions of counseling and psychotherapy. Culturally Alert Counseling: A Comprehensive Introduction by GJ

McAuliffe · 2013 · Cited by 169 — The Second Edition of Culturally Alert Counseling is a thorough update to the first comprehensive guide to culturally alert counseling, complete with a ... Culturally alert counseling: A comprehensive introduction ... by GJ McAuliffe · 2013 · Cited by 169 — Thoroughly updated with the latest research and information, the Second Edition of Culturally Alert Counseling offers a comprehensive guide to the study and ... Culturally Alert Counseling : A Comprehensive Introduction Synopsis: The Second Edition of Culturally Alert Counseling is a thorough update to the first comprehensive guide to culturally alert counseling, complete with ... Culturally Alert Counseling: A Comprehensive Introduction ... Culturally Alert Counseling: A Comprehensive Introduction is a reader-friendly introduction to the cultural dimensions of counseling and psychotherapy. Culturally Alert Counseling: A Comprehensive Introduction Synopsis: The Second Edition of Culturally Alert Counseling is a thorough update to the first comprehensive guide to culturally alert counseling, complete with ... Culturally Alert Counseling DVD This DVD presents a carefully illustrated counseling session, which brings out many issues common for working with African American clients. A White male ... Culturally Alert Counseling: A Comprehensive Introduction Culturally Alert Counseling: A Comprehensive Introduction. ... Culturally Alert Counseling: A Comprehensive Introduction. by McAuliffe, Garrett J. No reviews. ELA Grades 6-12 - SpringBoard - College Board Beginning in grade 6, SpringBoard English Language Arts students develop and refine skills in critical thinking, close reading, writing in various genres, and ... SpringBoard English Language Arts Grade 6 SpringBoard English Language Arts Grade 6 · Buy New. \$22.79\$22.79. FREE delivery: Friday, Jan 5 on orders over \$35.00 shipped by Amazon. Ships from: Amazon. Sold ... SpringBoard_ELA_Grade6_Flipb... ELA Grade 6. 1. Table of Contents. 6. Unit 1: Stories of Change. 28. Unit 2: The Power of Change. 116. Unit 3: Changing Perspectives. 186. Unit 4: The Final Act. SpringBoard English Language Arts, Grade 6 ... SpringBoard English Language Arts, Grade 6, Consumable Student Edition, c. 2021, 9781457312922, 1457312921 · Buy New. \$45.23\$45.23. FREE delivery: Friday, Jan 5. SpringBoard Language Arts - Grade 6 The Grade 6 Curriculum Map Excel spreadsheet covers all four core ELA Grade 6 units, and each unit begins with a one-page summary that allows teachers to ... sec_E_SB_ELA_G6.pdf ... English. Language Arts. GRADE 6. STUDENT EDITION. SAMPLE. Page 2. About The College Board ... SpringBoard English Language Arts. Research and Planning Advisors. Springboard ela grade 6 This product includes the following: • 4-day lesson plan for Springboard Activity 1. 6 - 7th Grade ELA • PowerPoint presentation & PDF - both with all ... SpringBoard English Language Arts 6 TE (CA)(TE)(P) by ... Textbook and beyond SpringBoard English Language Arts 6 TE (CA)(TE)(P) by Bishop, [1457304694] - 2017 SpringBoard English Language Arts Grade 6 California ... ELA Curriculum and Resources - SpringBoard - College Board A comprehensive look at SpringBoard's English Language Arts curriculum. Hear from teachers and students on how SpringBoard prepares students for college success ... Springboard 6th grade ela Browse springboard 6th grade ela resources on Teachers Pay Teachers, a ... Workbook. It also has a link to CPALMS for each standard to help with ideas ... Marketing Principles Asia Pacific 2nd Edition Pride Test

Bank Jan 1, 2020 — TOP: What is qualitative research? 6. Qualitative research can help to diagnose the dimensions of a marketing problem. ANS: T. PTS: 1. Essentials of services marketing 2nd edition wirtz test bank Essays for Marketing essentials of services marketing 2nd edition wirtz test bank full download: test bank chapter page. ... Asia Pte Ltd 2013. where needs are ... Social Media Marketing 2nd Edition Tuten Test Bank Mar 12, 2023 — SOCIAL MEDIA MARKETING. Chapter 2 Strategic Planning with Social Media. Multiple Choice Questions. 1) The process of identifying which ... Services Marketing in Asia, Second Edition This is an ex-library book and may have the usual library/used-book markings inside. This book has soft covers. In good all round condition. Book Write-Up - y0024 Services Marketing: People, Technology, Strategy is the ninth edition of the ... Test Bank. Please contact sales@wspc.com. Key Features: Full-color visual ... pdf-essentials-of-services-marketing-2nd-edition-wirtz-test ... Essentials of Services Marketing 2nd Edition Wirtz Essentials of Services Marketing 2nd Edition Wirtz TEST BANK TEST BANK Full download at: Full download at: ... Services Marketing: People, Technology, Strategy ... Asia), added further cultural diversity and brought the EU market closer to ... second, per 6-second block, or even per-minute block, resulting in vastly ... Test Bank Solutions Manual For International Marketing ... Test Bank, Solutions Manual, ebook, CONNECT Assignments and Learn Smart Quizzes for International Marketing 18th Edition By Philip Cateora • ISBN10: ... Economic Issues 1 -- Growth in East Asia Everyone agrees that the economies of East Asia, and particularly the Four Tigers, have grown spectacularly over the past generation, but nobody seems to agree ...