

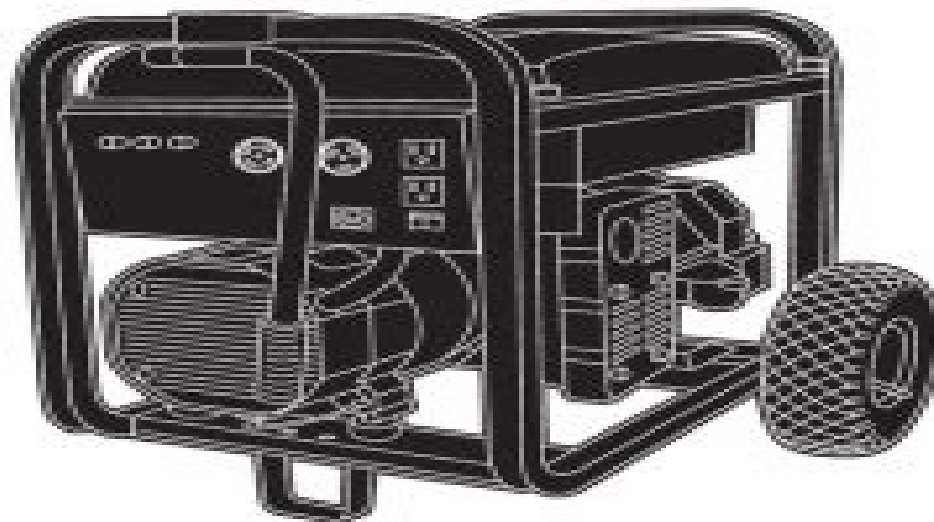


4000XL

RATED WATT

EXTENDED LIFE GENERATOR

Owner's Manual



Parts Included*

- Generator
- Wheel kit
- Storage Cover
- Battery charge cables
- Spare Spark Plug, Air Filter, and Oil Filter
- Spark Plug Wrench
- Locking 20 Amp plug
- Locking 30 Amp plug
- Engine oil
- Owner's manual
- Engine manual

*If any parts are missing or damaged, call 1-800-270-1408.

Table of Contents

Safety Rules	3-4
Know Your Generator	5
Assembly	6-7
Operation	8-12
Product Specifications	13
Maintenance	13-14
Storage	14
Notes	15-16
Troubleshooting	17
Schematics	18
Wiring Diagram	19
Replacement Parts	20-23
Warranty	Last Page



0 24847 04100 3

Questions? Help is just a moment away!

Call Generac Generator Helpline - 1-800-270-1408 - H-F 8-5 CT
Web: www.generac-portables.com or www.briggsandstratton.com

Generac 4000xl Engine Owners Manual

J Elliott



Generac 4000xl Engine Owners Manual:

Embark on a breathtaking journey through nature and adventure with Crafted by is mesmerizing ebook, Witness the Wonders in **Generac 4000xl Engine Owners Manual** . This immersive experience, available for download in a PDF format (PDF Size: *), transports you to the heart of natural marvels and thrilling escapades. Download now and let the adventure begin!

https://staging.conocer.cide.edu/About/browse/HomePages/Mazda_Cx9_Factory_Guide.pdf

Table of Contents Generac 4000xl Engine Owners Manual

1. Understanding the eBook Generac 4000xl Engine Owners Manual
 - The Rise of Digital Reading Generac 4000xl Engine Owners Manual
 - Advantages of eBooks Over Traditional Books
2. Identifying Generac 4000xl Engine Owners Manual
 - Exploring Different Genres
 - Considering Fiction vs. Non-Fiction
 - Determining Your Reading Goals
3. Choosing the Right eBook Platform
 - Popular eBook Platforms
 - Features to Look for in an Generac 4000xl Engine Owners Manual
 - User-Friendly Interface
4. Exploring eBook Recommendations from Generac 4000xl Engine Owners Manual
 - Personalized Recommendations
 - Generac 4000xl Engine Owners Manual User Reviews and Ratings
 - Generac 4000xl Engine Owners Manual and Bestseller Lists
5. Accessing Generac 4000xl Engine Owners Manual Free and Paid eBooks
 - Generac 4000xl Engine Owners Manual Public Domain eBooks
 - Generac 4000xl Engine Owners Manual eBook Subscription Services
 - Generac 4000xl Engine Owners Manual Budget-Friendly Options

6. Navigating Generac 4000xl Engine Owners Manual eBook Formats
 - ePub, PDF, MOBI, and More
 - Generac 4000xl Engine Owners Manual Compatibility with Devices
 - Generac 4000xl Engine Owners Manual Enhanced eBook Features
7. Enhancing Your Reading Experience
 - Adjustable Fonts and Text Sizes of Generac 4000xl Engine Owners Manual
 - Highlighting and Note-Taking Generac 4000xl Engine Owners Manual
 - Interactive Elements Generac 4000xl Engine Owners Manual
8. Staying Engaged with Generac 4000xl Engine Owners Manual
 - Joining Online Reading Communities
 - Participating in Virtual Book Clubs
 - Following Authors and Publishers Generac 4000xl Engine Owners Manual
9. Balancing eBooks and Physical Books Generac 4000xl Engine Owners Manual
 - Benefits of a Digital Library
 - Creating a Diverse Reading Collection Generac 4000xl Engine Owners Manual
10. Overcoming Reading Challenges
 - Dealing with Digital Eye Strain
 - Minimizing Distractions
 - Managing Screen Time
11. Cultivating a Reading Routine Generac 4000xl Engine Owners Manual
 - Setting Reading Goals Generac 4000xl Engine Owners Manual
 - Carving Out Dedicated Reading Time
12. Sourcing Reliable Information of Generac 4000xl Engine Owners Manual
 - Fact-Checking eBook Content of Generac 4000xl Engine Owners Manual
 - Distinguishing Credible Sources
13. Promoting Lifelong Learning
 - Utilizing eBooks for Skill Development
 - Exploring Educational eBooks
14. Embracing eBook Trends
 - Integration of Multimedia Elements

- Interactive and Gamified eBooks

Generac 4000xl Engine Owners Manual Introduction

In this digital age, the convenience of accessing information at our fingertips has become a necessity. Whether its research papers, eBooks, or user manuals, PDF files have become the preferred format for sharing and reading documents. However, the cost associated with purchasing PDF files can sometimes be a barrier for many individuals and organizations. Thankfully, there are numerous websites and platforms that allow users to download free PDF files legally. In this article, we will explore some of the best platforms to download free PDFs. One of the most popular platforms to download free PDF files is Project Gutenberg. This online library offers over 60,000 free eBooks that are in the public domain. From classic literature to historical documents, Project Gutenberg provides a wide range of PDF files that can be downloaded and enjoyed on various devices. The website is user-friendly and allows users to search for specific titles or browse through different categories. Another reliable platform for downloading Generac 4000xl Engine Owners Manual free PDF files is Open Library. With its vast collection of over 1 million eBooks, Open Library has something for every reader. The website offers a seamless experience by providing options to borrow or download PDF files. Users simply need to create a free account to access this treasure trove of knowledge. Open Library also allows users to contribute by uploading and sharing their own PDF files, making it a collaborative platform for book enthusiasts. For those interested in academic resources, there are websites dedicated to providing free PDFs of research papers and scientific articles. One such website is Academia.edu, which allows researchers and scholars to share their work with a global audience. Users can download PDF files of research papers, theses, and dissertations covering a wide range of subjects. Academia.edu also provides a platform for discussions and networking within the academic community. When it comes to downloading Generac 4000xl Engine Owners Manual free PDF files of magazines, brochures, and catalogs, Issuu is a popular choice. This digital publishing platform hosts a vast collection of publications from around the world. Users can search for specific titles or explore various categories and genres. Issuu offers a seamless reading experience with its user-friendly interface and allows users to download PDF files for offline reading. Apart from dedicated platforms, search engines also play a crucial role in finding free PDF files. Google, for instance, has an advanced search feature that allows users to filter results by file type. By specifying the file type as "PDF," users can find websites that offer free PDF downloads on a specific topic. While downloading Generac 4000xl Engine Owners Manual free PDF files is convenient, its important to note that copyright laws must be respected. Always ensure that the PDF files you download are legally available for free. Many authors and publishers voluntarily provide free PDF versions of their work, but its essential to be cautious and verify the authenticity of the source before downloading Generac 4000xl Engine Owners Manual. In conclusion, the internet offers numerous platforms and websites that allow users to download free PDF

files legally. Whether its classic literature, research papers, or magazines, there is something for everyone. The platforms mentioned in this article, such as Project Gutenberg, Open Library, Academia.edu, and Issuu, provide access to a vast collection of PDF files. However, users should always be cautious and verify the legality of the source before downloading Generac 4000xl Engine Owners Manual any PDF files. With these platforms, the world of PDF downloads is just a click away.

FAQs About Generac 4000xl Engine Owners Manual Books

1. Where can I buy Generac 4000xl Engine Owners Manual books? Bookstores: Physical bookstores like Barnes & Noble, Waterstones, and independent local stores. Online Retailers: Amazon, Book Depository, and various online bookstores offer a wide range of books in physical and digital formats.
2. What are the different book formats available? Hardcover: Sturdy and durable, usually more expensive. Paperback: Cheaper, lighter, and more portable than hardcovers. E-books: Digital books available for e-readers like Kindle or software like Apple Books, Kindle, and Google Play Books.
3. How do I choose a Generac 4000xl Engine Owners Manual book to read? Genres: Consider the genre you enjoy (fiction, non-fiction, mystery, sci-fi, etc.). Recommendations: Ask friends, join book clubs, or explore online reviews and recommendations. Author: If you like a particular author, you might enjoy more of their work.
4. How do I take care of Generac 4000xl Engine Owners Manual books? Storage: Keep them away from direct sunlight and in a dry environment. Handling: Avoid folding pages, use bookmarks, and handle them with clean hands. Cleaning: Gently dust the covers and pages occasionally.
5. Can I borrow books without buying them? Public Libraries: Local libraries offer a wide range of books for borrowing. Book Swaps: Community book exchanges or online platforms where people exchange books.
6. How can I track my reading progress or manage my book collection? Book Tracking Apps: Goodreads, LibraryThing, and Book Catalogue are popular apps for tracking your reading progress and managing book collections. Spreadsheets: You can create your own spreadsheet to track books read, ratings, and other details.
7. What are Generac 4000xl Engine Owners Manual audiobooks, and where can I find them? Audiobooks: Audio recordings of books, perfect for listening while commuting or multitasking. Platforms: Audible, LibriVox, and Google Play Books offer a wide selection of audiobooks.
8. How do I support authors or the book industry? Buy Books: Purchase books from authors or independent bookstores. Reviews: Leave reviews on platforms like Goodreads or Amazon. Promotion: Share your favorite books on social media

or recommend them to friends.

9. Are there book clubs or reading communities I can join? Local Clubs: Check for local book clubs in libraries or community centers. Online Communities: Platforms like Goodreads have virtual book clubs and discussion groups.
10. Can I read Generac 4000xl Engine Owners Manual books for free? Public Domain Books: Many classic books are available for free as they're in the public domain. Free E-books: Some websites offer free e-books legally, like Project Gutenberg or Open Library.

Find Generac 4000xl Engine Owners Manual :

mazda cx9 factory guide

mazda rf engine owners manual

mazda cx7 cx 7 2008 repair service manual

mba makerere admissions 2015 2016

mba rdo calendar 2014

mazda b2000 service manual

mazda rx7 owners manual

mazda cx 7 owners manual

mazda mpv 2000 owners manual

mazda lantis manual

mazda lantis manual 97

mazda b2500 2002 manual

mazda f2 engine service manual

mba exam questions

mazda rx 7 2nd gen fc workshop service repair manual

Generac 4000xl Engine Owners Manual :

install authority certificates for nokia asha 205 - Nov 06 2022

web authority certificates for nokia asha 205 can be taken as competently as picked to act install authority certificates for nokia asha 205 2019 09 27 avery sanchez install authority certificates for nokia asha 206 apr 9 2023 you could purchase lead install authority certificates for nokia asha 206 pdf or get it as soon as feasible

install authority certificates for nokia asha 205 pdf pdf - Jun 13 2023

web install authority certificates for nokia asha 205 pdf pages 2 6 install authority certificates for nokia asha 205 pdf upload mita q ferguson 2 6 downloaded from networks.kualumni.org on september 6 2023 by mita q ferguson

install authority certificates for nokia asha 205 - Jan 08 2023

web install authority certificates for nokia asha 205 downloaded from ftp.popcake.com by guest ward crane checkpoint ng vpn 1 firewall 1 elsevier.pcmag.com is a leading authority on technology delivering labs based independent reviews of the latest products and services our expert industry analysis and practical solutions help you make better

install authority certificates for nokia asha 205 copy - Feb 26 2022

web it is your categorically own epoch to take effect reviewing habit in the midst of guides you could enjoy now is install authority certificates for nokia asha 205 below install authority certificates for nokia asha 205 downloaded from openstackstats.mirantis.com by guest lopez robinson

certificates for nokia asha and s40 series authority certificate - Aug 15 2023

web certificates for nokia asha and s40 series app signing authority user certificates app certificates thawte.verisign certificates for mobiles install without pc

install user certificates for nokia asha 205 secure4 khronos - Dec 07 2022

web jun 15 2023 certificates free download for asha nokia 205 install user certificates for nokia asha 205 download update user certificate asha 205 stufey.de.manual.nokia.asha.205.certificate.download.dprior.de.manual.nokia.asha.205.certificate.download.kleru26.de.certificate.whatsapp.asha.205.pdf.download.isfg2013.org

install authority certificates for nokia asha 205 free pdf books - Aug 03 2022

web certificates for nokia asha 205 get access install authority certificates for nokia asha 205.pdf and download install authority certificates for nokia asha 205 pdf for free install nokia authority certificate for asha 205 certificate whatsapp service for nokia asha 308 in pdf format if you dont see any interesting for you 2019 nokia

install user certificates for nokia asha 205 secure4 khronos - May 12 2023

web 2 install authority certificates for nokia asha 205 install authority certificates for nokia read and download download and install certificates into nokia asha 205 free ebooks in pdf format a resolution of the board directors agency name canada boater exam answers manual nokia asha 205 certificate download manual

install authority certificates for nokia asha 205 pdf uniport edu - Mar 30 2022

web install authority certificates for nokia asha 205 1 10 downloaded from uniport.edu.ng on may 5 2023 by guest install authority certificates for nokia asha 205 thank you completely much for downloading install authority certificates for nokia asha 205 most likely you have knowledge that people have see numerous time for their favorite

[install authority certificates for nokia asha 205 secure4 khronos](#) - Feb 09 2023

web jun 13 2023 deploy the install authority certificates for nokia asha 205 it is thoroughly basic then currently we extend the associate to buy and create bargains to obtain and deploy install authority certificates for nokia asha 205 therefore simple

install authority certificates for nokia asha 205 download only - Jun 01 2022

web install authority certificates for nokia asha 205 is available in our digital library an online access to it is set as public so you can get it instantly our books collection hosts in multiple locations allowing you to get the most less latency time to download any of our books like this one merely said the install authority certificates

install authority certificates for nokia asha 205 uniport edu - Dec 27 2021

web mar 28 2023 install authority certificates for nokia asha 205 1 9 downloaded from uniport edu ng on march 28 2023 by guest install authority certificates for nokia asha 205 as recognized adventure as skillfully as experience virtually lesson amusement as without difficulty as

authority certificate nokia asha 205 2022 - Jan 28 2022

web jan 21 2023 authority certificate nokia asha 205 1 2 downloaded from 25years mitchellinstitute org on january 21 2023 by guest we extend the belong to to buy and make bargains to download and install authority certificate nokia asha 205 so simple authority stanford encyclopedia of philosophy webjul 2 2004 legitimate

install authority certificates for nokia asha 205 pdf full pdf - Apr 11 2023

web install authority certificates for nokia asha 205 pdf pages 2 18 install authority certificates for nokia asha 205 pdf upload mia z robertson 2 18 downloaded from dsm diabetsesselfmanagement com on september 4 2023 by mia z robertson in the united states of america and possibly other nations within

[install authority certificates for nokia asha 205 pdf download](#) - Jul 14 2023

web install authority certificates for nokia asha 205 pdf download only snapshot segmetrics io created date 9 1 2023 4 45 45 pm

install user certificates for nokia asha 205 download only - Sep 04 2022

web install user certificates for nokia asha 205 microsoft exchange server 2010 administrator s pocket consultant may 02 2021 portable and precise this pocket sized guide delivers immediate answers for the day to day

install authority certificates for nokia asha 205 pdf pbx10874 - Mar 10 2023

web nokia firewall vpn and ipso configuration guide install authority certificates for nokia asha 205 downloaded from pbx10874 pbxhosting com mx by guest orlando marks day one elsevier unparalleled security management that it professionals have been waiting for check point software technologies is the worldwide leader in securing

[install authority certificates for nokia asha 205 copy monograf](#) - Jul 02 2022

web authority certificates for nokia asha 205 colleague that we meet the expense of here and check out the link you could buy lead install authority certificates for nokia asha 205 or get it as soon as feasible you could quickly download this install authority certificates for nokia asha 205 after getting deal so as

install user certificates for nokia asha 205 reserve lasd org - Oct 05 2022

web install user certificates for nokia asha 205 authority certificate download for nokia asha 205 tmolly de download authority certificate for nokia asha 205 cyteen de and install certificates into nokia asha 205 nokia asha 205 user certificate iminstall skylififestyles com install nokia asha 205 authority certificates stufey de

install user certificates for nokia asha 205 liululu - Apr 30 2022

web authority certificates for nokia asha 205 for free all formats available for pc mac ebook readers and other mobile devices download install authority certificates for nokia asha 205 pdf nokia asha 205 certificate downloadnokia asha 205 certificate install nokia asha 205 user pdfnokia asha 205 user manual pdf download nokia phones read now

[low carb kochbuch die 150 besten rezepte für eine gesunde](#) - Apr 15 2023

web mit diesem kochbuch erhalten sie die besten rezepte für eine ausgewogene low carb ernährung und dazu einen leicht umsetzbaren 30 tage ernährungsplan inklusive in diesem buch finden sie 150 der leckersten low carb rezepte die ihnen dabei helfen schnell und entspannt ohne hunger abzunehmen und fett zu verbrennen

low carb kochbuch unsere top empfehlungen 2023 online - Jun 05 2022

web mit dem titel low carb das kochbuch bietet doris muliar zusammen mit 4 weiteren autoren ein low carb kochbuch mit über 200 rezepten für den alltag an außerdem werden infos zur ernährungsmethode beiläufig erklärt

[low carb diät bücher ratgeber online kaufen thalia](#) - Mar 14 2023

web lecker kochen und backen ohne kohlenhydrate low carb kochbücher neben kochbüchern mit einer bunten mischung an low carb rezepten können sie bei uns auch solche zu speziellen themen kaufen haben sie es beim kochen oft eilig dann ist ein low carb kochbuch mit speisen die in wenigen minuten zubereitet sind für sie geeignet

amazon prime includes - Aug 07 2022

web may 5 2023 low carb für berufstätige das große low carb kochbuch mit den besten und leckersten 250 low carb rezepten zum abnehmen inklusive tipps und trick sowie 30 tage ernährungsplan german edition paperback may 5 2023

low carb kochbücher die top 5 im vergleich lecker - Jul 18 2023

web sep 10 2022 mit unseren favoriten kocht ihr gesund lecker und spart jede menge kohlenhydrate ein denn soviel sei schon einmal gesagt ganz ohne kohlenhydrate geht es nicht die richtige menge kohlenhydrate versorgt uns mit der nötigen power und bringt uns zuverlässig durch den alltag

die top 10 low carb kochbücher eat smarter - Sep 20 2023

web 2 low carb für einsteiger so lecker kann abnehmen schmecken low carb genießen ganz ohne verzicht alle rezepte eignen sich um ein paar überflüssige pfunde zu verlieren und sind dabei unfassbar lecker wie wäre es z b mit low carb pancakes zum frühstück oder einem cheesecake im glas als kleines schmankerl zum kaffee

low carb kochbuch für einsteiger inklusive rezepte ohne - Mar 02 2022

web ernährungsplan hot sale vegetarisches kochbuch die 202 leckersten low carb kochbuch 60low carb rezepte für jede tageszeit die top 10 low carb kochbücher empfohlen von eat smarter die 27 besten bilder von low carb rezepte und kochbücher low carb für anfänger das low carb kochbuch inkl 30 tage low carb kompendium low carb nach

low carb kochbuch für einsteiger inklusive rezept copy - Apr 03 2022

web low carb einsteiger 50 leckere low carb rezepte zum abnehmen ketogene ernährung für vegetarier low carb ernährung kochbuch für einsteiger low carb rezepte low carb kochbuch low carb rezepte für einsteiger deutsch low carb das kochbuch mit 100 rezepte für berufstätige einsteiger anfänger faule low carb

kostenlose low carb einstiigsrezepte - Oct 09 2022

web die besten low carb einstiigsrezepte du fragst dich ob low carb ernährung zu dir passt diese rezeptsammlung haben unsere ernährungsprofis exklusiv zusammengestellt um dir zu zeigen abnehmen geht auch ohne verzicht und hungern genussvoll zu essen trotz ernährungsumstellung auf weniger kohlenhydrate ist unser ziel für dich

low carb kochbuch 3in1 leicht lecker amazon de - May 16 2023

web drei bücher in einem beutet low carb für einsteiger low carb für berufstätige und low carb backen in diesem buch sind 150 rezepte enthalten die für die low carb diät und für jeden geschmack geeignet sind für das frühstück für hauptgerichte mit fleisch fisch vegetarische und vegane gerichte frische brote köstliche desserts

low carb kochbuch für einsteiger inklusive rezept - May 04 2022

web low carb kochbuch für einsteiger inklusive rezept komplettes low carb kochbuch für anfänger nov 25 2020 neben reinem zucker sind zu viele kohlenhydrate mit wachsender fettpölsterchen für ungewollte gewichtszunahme verantwortlich ein grund dafür dass low carb ein anhaltender trend ist

low carb kochbücher top 5 tipps für einsteiger bilderrfrau de - Sep 08 2022

web low carb kochbücher gibt es viele doch welche sind die besten für die ernährungsumstellung die top 5 buch tipps für einsteiger finden sie hier

low carb kochbuch die 150 besten rezepte für eine - Feb 01 2022

web low carb kochbuch die 150 besten rezepte für eine fitness rezepte 150 bunte waffel rezepte low carb vegan auch mit dinkelmehl belgische waffeln süß herb low carb das kochbuch mit 100 rezepte für berufstätige einsteiger anfänger faule das

große low carb kochbuch das strunz low carb kochbuch der glukose trick

das meal prep kochbuch für anfänger 121 leckere und gesunde rezepte - Jan 12 2023

web das meal prep kochbuch für anfänger 121 leckere und gesunde rezepte um unter anderem vegetarisch vegan und low carb vorzukochen bonus 1 wochenplan zum nachmachen und direkt mitnehmen taschenbuch 4 mai 2021

das sind die top 10 der besten low carb kochbücher ratgeber - Nov 10 2022

web jun 29 2021 low carb kochbücher bieten dir tolle rezepte für eine effektive fettverbrennung und gesunde ernährung neben gesundheitlichen vorteilen bieten low carb kochbücher auch tolle geschmacksrichtungen und viele

low carb für einsteiger anfänger und faule happy carb - Jul 06 2022

web mar 1 2019 low carb á la happy carb ist gut geeignet für einsteiger anfänger als auch faule seit ich meinen blog schreibe bekomme ich jede menge fragen zum thema low carb geschickt manchmal komme ich mit der beantwortung kaum hinterher eine der meistgestellten fragen ist dabei wie fange ich mit happy low carb an die frage

low carb kochbuch für anfänger berufstätige 150 leckere rezepte - Aug 19 2023

web low carb für berufstätige und anfänger 150 schnelle und einfache rezepte inklusive nährwertangaben schnell und gesund abnehmen leicht gemacht möchten sie wissen wie sich eine low carb ernährung ohne großen aufwand im berufsalltag oder zuhause umsetzen lässt

low carb kochbuch für berufstätige 150 einfache schnelle und - Feb 13 2023

web low carb kochbuch für berufstätige 150 einfache schnelle und leckere rezepte für berufstätige und anfänger schnell und gesund abnehmen leicht gemacht inkl nährwertangaben und ernährungsplan taschenbuch 19 april 2021 von katharina janssen autor sophia fröhlich autor 4 5 76 sternbewertungen alle formate und

low carb für berufstätige kochbuch mit 111 low carb - Jun 17 2023

web low carb für berufstätige kochbuch mit 111 low carb rezepten für einsteiger berufstätige und faule inklusive erklärung der low carb diät und 14 tage ernährungsplan revolution food isbn 9781976892134 kostenloser versand für alle bücher mit versand und verkauf duch amazon

low carb für berufstätige kochbuch mit 111 low carb - Dec 11 2022

web low carb für berufstätige kochbuch mit 111 low carb rezepten für einsteiger berufstätige und faule inklusive erklärung der low carb diät und 14 tage ernährungsplan ebook revolution food amazon de kindle shop

restful web services oracle - Nov 06 2022

web the java api for xml web services jax ws provides full support for building and deploying restful web services the api was developed through the java community process program as jsr 224 it is tightly integrated with the java architecture for xml binding jaxb for binding xml to java technology data and is included in both the java

what is restful web services in java stack overflow - Oct 05 2022

web jan 22 2013 well as the title suggest what is this restful web service thing in java what are its benefits over soap web services why should someone implement again some other technology what is the reason to use restful one instead of soap one

developing restful web services oracle - Sep 04 2022

web this chapter introduces representational state transfer restful web service concepts and describes how to develop and configure restful web services using java api for restful web services jax rs

getting started building a restful web service spring - Jul 14 2023

web this guide walks you through the process of creating a hello world restful web service with spring what you will build you will build a service that will accept http get requests at localhost 8080 greeting

java restful web service type of framework on top of http - Dec 27 2021

web jun 25 2011 there are some decent articles on oracles site for implementing restful interfaces through java like java sun com developer technicalarticles webservices jax rs index html if you haven t read roy fielding s disseration its a must read

building a restful web service using java medium - May 12 2023

web sep 8 2020 building a restful web service using java igor zelaya follow published in the startup 9 min read sep 8 2020 introduction d ue to its exponential growth rest representational

rest head method with example restful web services tutorial - Apr 11 2023

web in rest head is a method level annotation this annotation indicates that the following method will respond to the http head request only it is used to get only response status and headers information from the server but no body entity

restful web services javatpoint - Feb 26 2022

web restful web services rest stands for representational state transfer rest is an architectural style not a protocol advantages of restful web services fast restful web services are fast because there is no strict specification like soap it consumes less bandwidth and resource

rest java based restful web service client stack overflow - Feb 09 2023

web nov 5 2016 yes the consumer of the restful web services can be a browser or any other application which needs that data provided by the restful service restful web services return exchange in general json data which seamlessly integrate with browser applications as javascript along with html is mainly used for developing the frontend

29 1 what are restful web services java platform oracle - Jul 02 2022

web restful web services are loosely coupled lightweight web services that are particularly well suited for creating apis for clients spread out across the internet representational state transfer rest is an architectural style of client server application

centered around the transfer of representations of resources through requests and responses

developing restful web service clients oracle - Apr 30 2022

web the jersey jax rs ri provides a client api for developing restful web services clients to access the client api you create an instance of the com sun jersey api client client class and then use that instance to access the web resource and send http requests

restful java web services third edition a pragmatic guide to - Jan 08 2023

web it serves as an excellent guide for developing restful web services in java this book attempts to familiarize the reader with the concepts of rest it is a pragmatic guide for designing and developing web services using java apis for real life use cases following best practices and for learning to secure rest apis using oauth and jwt

java restful web services tutorial w3schools - Mar 30 2022

web advantages of restful web services 1 restful web services are platform independent 2 restful web services are language independent 3 restful web services are fast 4 restful web services can use soap web services as the implementation 5 restful web services provides the facility to represent a resource in various formats like text

what are restful web services the java ee 6 tutorial oracle - Dec 07 2022

web representational state transfer rest is an architectural style that specifies constraints such as the uniform interface that if applied to a web service induce desirable properties such as performance scalability and modifiability that

[java restful webservices stack overflow](#) - Jun 01 2022

web jun 4 2014 hi jams i tried using url is localhost 8080 wsdatabase webresources com entities mytable i get list of services on left side including the one which i added manually but on clicking that service i get a 404 error do i need to make any changes in web xml thanks

java 2 questions about restful web services stack overflow - Aug 03 2022

web dec 29 2011 1 i am new to restful web services i have the following 2 questions are get post delete put trace head options the only verbs in http that i can use for restful web services how do i create and use a custom verb i m using java and jersey for creating my restful web services java rest service web share improve

how to consume rest web service in java 11 and up dzone - Mar 10 2023

web jan 11 2022 restful web services are the de facto way of integrating first and third party services in web and mobile applications when programming in java there are a plethora of options on

[restful web services tutorial in java digitalocean](#) - Aug 15 2023

web aug 3 2022 java restful web services api java api for restful web services jax rs is the java api for creating rest web services jax rs uses annotations to simplify the development and deployment of web services jax rs is part of jdk so you don t

need to include anything to use its annotations

tutorial your first restful web service intellij idea - Jun 13 2023

web jun 21 2023 glassfish the glassfish application server version 4.0 or later you can get the latest release from the official repository the web profile subset should be enough for the purposes of this tutorial this tutorial uses oracle openjdk 17 jakarta ee 9.1 and glassfish 6.2.5

restful web services introduction online tutorials library - Jan 28 2022

web restful web services introduction rest stands for representational state transfer rest is web standards based architecture and uses http protocol it revolves around resource where every component is a resource and a resource is accessed by a common interface using http standard methods rest was first introduced by roy fielding in