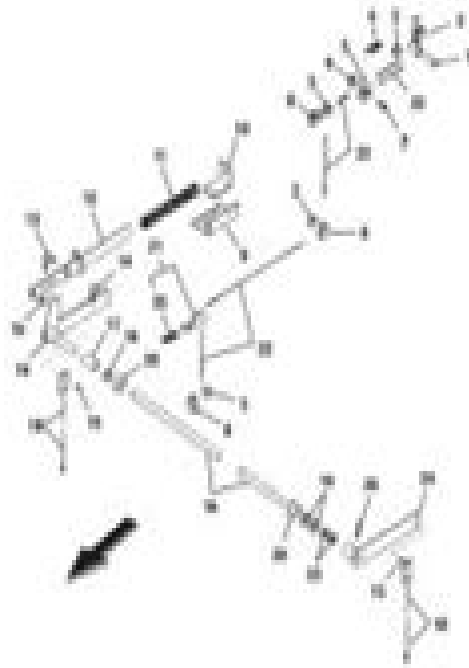
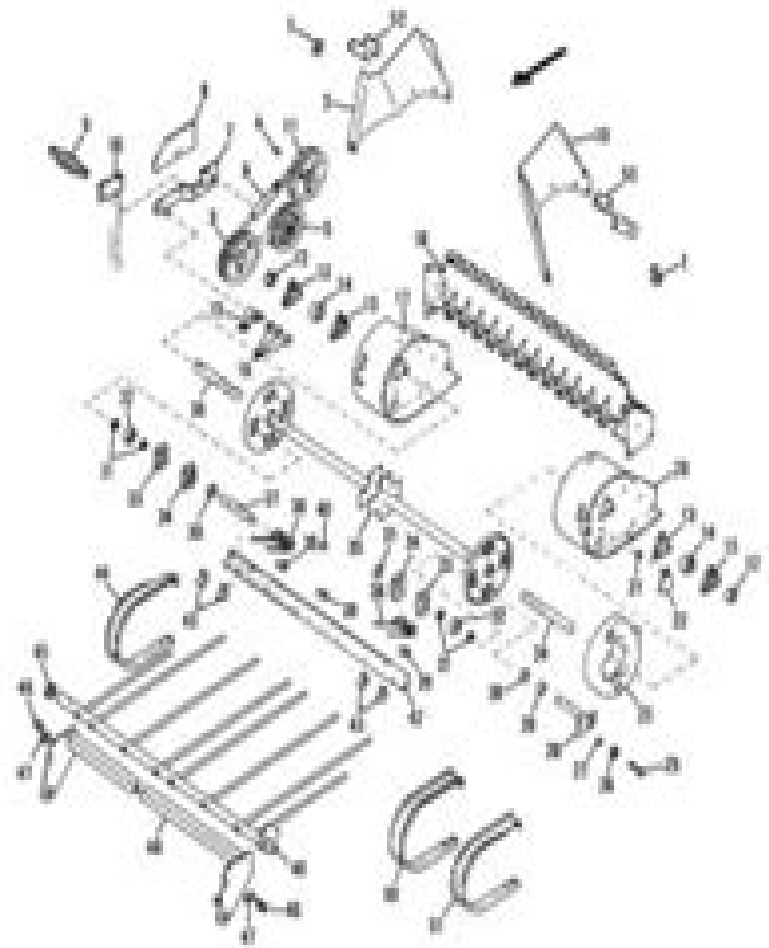


RB1879 - PICKUP LIFT & OVERFILL CLUTCH



| QTY | P/N | Description | QTY | P/N | Description | QTY |
|-----|------|--------------------------|-----|------|--------------------------|-----|
| 1 | 0000 | ASSEMBLY | 1 | 0001 | ASSEMBLY | 1 |
| 1 | 0002 | ASSEMBLY | 1 | 0100 | ROLLER | 1 |
| 1 | 0003 | 12 5/16 X 3/8 X 1/4 P.D. | 1 | 0101 | ROLLER | 1 |
| 1 | 0004 | ROLLER | 1 | 0102 | ROLLER | 1 |
| 1 | 0005 | 12 5/16 X 3/8 X 1/4 P.D. | 1 | 0006 | 12 5/16 X 3/8 X 1/4 P.D. | 1 |
| 1 | 0006 | 12 5/16 X 3/8 X 1/4 P.D. | 1 | 0007 | ASSEMBLY | 1 |
| 1 | 0100 | ROLLER | 1 | 0008 | 12 5/16 X 3/8 X 1/4 P.D. | 1 |
| 1 | 0101 | ROLLER | 1 | 0103 | ROLLER | 1 |
| 1 | 0102 | ROLLER | 1 | 0104 | ROLLER | 1 |
| 1 | 0003 | 12 5/16 X 3/8 X 1/4 P.D. | 1 | 0105 | ROLLER | 1 |
| 1 | 0004 | ROLLER | 1 | 0106 | ROLLER | 1 |
| 1 | 0005 | 12 5/16 X 3/8 X 1/4 P.D. | 1 | 0107 | ROLLER | 1 |
| 1 | 0006 | 12 5/16 X 3/8 X 1/4 P.D. | 1 | 0108 | ROLLER | 1 |
| 1 | 0007 | ASSEMBLY | 1 | 0109 | ROLLER | 1 |
| 1 | 0008 | 12 5/16 X 3/8 X 1/4 P.D. | 1 | 0110 | ROLLER | 1 |
| 1 | 0009 | 12 5/16 X 3/8 X 1/4 P.D. | 1 | 0111 | ROLLER | 1 |
| 1 | 0010 | ASSEMBLY | 1 | 0112 | ROLLER | 1 |
| 1 | 0011 | ASSEMBLY | 1 | 0113 | ROLLER | 1 |
| 1 | 0012 | ASSEMBLY | 1 | 0114 | ROLLER | 1 |
| 1 | 0013 | ASSEMBLY | 1 | 0115 | ROLLER | 1 |
| 1 | 0014 | ASSEMBLY | 1 | 0116 | ROLLER | 1 |
| 1 | 0015 | ASSEMBLY | 1 | 0117 | ROLLER | 1 |
| 1 | 0016 | ASSEMBLY | 1 | 0118 | ROLLER | 1 |
| 1 | 0017 | ASSEMBLY | 1 | 0119 | ROLLER | 1 |
| 1 | 0018 | ASSEMBLY | 1 | 0120 | ROLLER | 1 |
| 1 | 0019 | ASSEMBLY | 1 | 0121 | ROLLER | 1 |
| 1 | 0020 | ASSEMBLY | 1 | 0122 | ROLLER | 1 |
| 1 | 0021 | ASSEMBLY | 1 | 0123 | ROLLER | 1 |
| 1 | 0022 | ASSEMBLY | 1 | 0124 | ROLLER | 1 |
| 1 | 0023 | ASSEMBLY | 1 | 0125 | ROLLER | 1 |
| 1 | 0024 | ASSEMBLY | 1 | 0126 | ROLLER | 1 |
| 1 | 0025 | ASSEMBLY | 1 | 0127 | ROLLER | 1 |
| 1 | 0026 | ASSEMBLY | 1 | 0128 | ROLLER | 1 |
| 1 | 0027 | ASSEMBLY | 1 | 0129 | ROLLER | 1 |
| 1 | 0028 | ASSEMBLY | 1 | 0130 | ROLLER | 1 |
| 1 | 0029 | ASSEMBLY | 1 | 0131 | ROLLER | 1 |
| 1 | 0030 | ASSEMBLY | 1 | 0132 | ROLLER | 1 |
| 1 | 0031 | ASSEMBLY | 1 | 0133 | ROLLER | 1 |
| 1 | 0032 | ASSEMBLY | 1 | 0134 | ROLLER | 1 |
| 1 | 0033 | ASSEMBLY | 1 | 0135 | ROLLER | 1 |
| 1 | 0034 | ASSEMBLY | 1 | 0136 | ROLLER | 1 |
| 1 | 0035 | ASSEMBLY | 1 | 0137 | ROLLER | 1 |
| 1 | 0036 | ASSEMBLY | 1 | 0138 | ROLLER | 1 |
| 1 | 0037 | ASSEMBLY | 1 | 0139 | ROLLER | 1 |
| 1 | 0038 | ASSEMBLY | 1 | 0140 | ROLLER | 1 |
| 1 | 0039 | ASSEMBLY | 1 | 0141 | ROLLER | 1 |
| 1 | 0040 | ASSEMBLY | 1 | 0142 | ROLLER | 1 |
| 1 | 0041 | ASSEMBLY | 1 | 0143 | ROLLER | 1 |
| 1 | 0042 | ASSEMBLY | 1 | 0144 | ROLLER | 1 |
| 1 | 0043 | ASSEMBLY | 1 | 0145 | ROLLER | 1 |
| 1 | 0044 | ASSEMBLY | 1 | 0146 | ROLLER | 1 |
| 1 | 0045 | ASSEMBLY | 1 | 0147 | ROLLER | 1 |
| 1 | 0046 | ASSEMBLY | 1 | 0148 | ROLLER | 1 |
| 1 | 0047 | ASSEMBLY | 1 | 0149 | ROLLER | 1 |
| 1 | 0048 | ASSEMBLY | 1 | 0150 | ROLLER | 1 |
| 1 | 0049 | ASSEMBLY | 1 | 0151 | ROLLER | 1 |
| 1 | 0050 | ASSEMBLY | 1 | 0152 | ROLLER | 1 |
| 1 | 0051 | ASSEMBLY | 1 | 0153 | ROLLER | 1 |
| 1 | 0052 | ASSEMBLY | 1 | 0154 | ROLLER | 1 |
| 1 | 0053 | ASSEMBLY | 1 | 0155 | ROLLER | 1 |
| 1 | 0054 | ASSEMBLY | 1 | 0156 | ROLLER | 1 |
| 1 | 0055 | ASSEMBLY | 1 | 0157 | ROLLER | 1 |
| 1 | 0056 | ASSEMBLY | 1 | 0158 | ROLLER | 1 |
| 1 | 0057 | ASSEMBLY | 1 | 0159 | ROLLER | 1 |
| 1 | 0058 | ASSEMBLY | 1 | 0160 | ROLLER | 1 |
| 1 | 0059 | ASSEMBLY | 1 | 0161 | ROLLER | 1 |
| 1 | 0060 | ASSEMBLY | 1 | 0162 | ROLLER | 1 |
| 1 | 0061 | ASSEMBLY | 1 | 0163 | ROLLER | 1 |
| 1 | 0062 | ASSEMBLY | 1 | 0164 | ROLLER | 1 |
| 1 | 0063 | ASSEMBLY | 1 | 0165 | ROLLER | 1 |
| 1 | 0064 | ASSEMBLY | 1 | 0166 | ROLLER | 1 |
| 1 | 0065 | ASSEMBLY | 1 | 0167 | ROLLER | 1 |
| 1 | 0066 | ASSEMBLY | 1 | 0168 | ROLLER | 1 |
| 1 | 0067 | ASSEMBLY | 1 | 0169 | ROLLER | 1 |
| 1 | 0068 | ASSEMBLY | 1 | 0170 | ROLLER | 1 |
| 1 | 0069 | ASSEMBLY | 1 | 0171 | ROLLER | 1 |
| 1 | 0070 | ASSEMBLY | 1 | 0172 | ROLLER | 1 |
| 1 | 0071 | ASSEMBLY | 1 | 0173 | ROLLER | 1 |
| 1 | 0072 | ASSEMBLY | 1 | 0174 | ROLLER | 1 |
| 1 | 0073 | ASSEMBLY | 1 | 0175 | ROLLER | 1 |
| 1 | 0074 | ASSEMBLY | 1 | 0176 | ROLLER | 1 |
| 1 | 0075 | ASSEMBLY | 1 | 0177 | ROLLER | 1 |
| 1 | 0076 | ASSEMBLY | 1 | 0178 | ROLLER | 1 |
| 1 | 0077 | ASSEMBLY | 1 | 0179 | ROLLER | 1 |
| 1 | 0078 | ASSEMBLY | 1 | 0180 | ROLLER | 1 |
| 1 | 0079 | ASSEMBLY | 1 | 0181 | ROLLER | 1 |
| 1 | 0080 | ASSEMBLY | 1 | 0182 | ROLLER | 1 |
| 1 | 0081 | ASSEMBLY | 1 | 0183 | ROLLER | 1 |
| 1 | 0082 | ASSEMBLY | 1 | 0184 | ROLLER | 1 |
| 1 | 0083 | ASSEMBLY | 1 | 0185 | ROLLER | 1 |
| 1 | 0084 | ASSEMBLY | 1 | 0186 | ROLLER | 1 |
| 1 | 0085 | ASSEMBLY | 1 | 0187 | ROLLER | 1 |
| 1 | 0086 | ASSEMBLY | 1 | 0188 | ROLLER | 1 |
| 1 | 0087 | ASSEMBLY | 1 | 0189 | ROLLER | 1 |
| 1 | 0088 | ASSEMBLY | 1 | 0190 | ROLLER | 1 |
| 1 | 0089 | ASSEMBLY | 1 | 0191 | ROLLER | 1 |
| 1 | 0090 | ASSEMBLY | 1 | 0192 | ROLLER | 1 |
| 1 | 0091 | ASSEMBLY | 1 | 0193 | ROLLER | 1 |
| 1 | 0092 | ASSEMBLY | 1 | 0194 | ROLLER | 1 |
| 1 | 0093 | ASSEMBLY | 1 | 0195 | ROLLER | 1 |
| 1 | 0094 | ASSEMBLY | 1 | 0196 | ROLLER | 1 |
| 1 | 0095 | ASSEMBLY | 1 | 0197 | ROLLER | 1 |
| 1 | 0096 | ASSEMBLY | 1 | 0198 | ROLLER | 1 |
| 1 | 0097 | ASSEMBLY | 1 | 0199 | ROLLER | 1 |
| 1 | 0098 | ASSEMBLY | 1 | 0200 | ROLLER | 1 |
| 1 | 0099 | ASSEMBLY | 1 | 0201 | ROLLER | 1 |
| 1 | 0100 | ASSEMBLY | 1 | 0202 | ROLLER | 1 |

RB1879 - PICKUP



Gehl Serial Number Guide Round Balers

RJ Shavelson



Gehl Serial Number Guide Round Balers:

Official Guide ,2005 *Official Specifications & Data Guide* ,1999 *Evaluation Report* ,1993 Northeast Region
Official Guide ,2002 *Hot Line Farm Equipment Guide Quick Reference Guide* ,2001 **The Prairie Farmer** ,1997-04
Doane's Farm Management Guide Doane Agricultural Service,1976 Official Gazette of the United States Patent and
Trademark Office ,2000 **Wallaces Farmer** ,1999 *California Farmer* ,2005 Union Agriculturist and Western
Prairie Farmer ,1999-04 **Prairie Farmer** ,1984 AMJ, Agricultural Machinery Journal ,1982 **Agriculture, rural**
development, and related agencies appropriations for 1984 United States. Congress. House. Committee on
Appropriations. Subcommittee on Agriculture, Rural Development, and Related Agencies,1983 **British Power Farmer**
and Agricultural Engineer ,1991 *North Adirondack Agricultural News* ,2002 *Farmers and Consumers Market*
Bulletin ,2011 **Farmer's Guide** ,1940 *West's Federal Practice Digest 4th* ,2002 Locate federal cases decided in the U
S Supreme Court Court of Appeals district courts Claims Court bankruptcy courts Court of Military Appeals the Courts of
Military Review and other federal courts This Key Number Digest contains all headnotes classified according to West s Key
Number System for federal court decisions reported from 1984 to the present The topics are listed in alphabetical order The
Key Numbers within those topics are listed in numerical order Each topic begins with scope notes about subjects included
and subjects excluded and covered by other topics Also there is an outline of the topic which includes a list of all Key
Numbers in that topic Headnotes are collected by jurisdiction or court and filed according to the West Key Number System
Digest ,1975

Gehl Serial Number Guide Round Balers Book Review: Unveiling the Power of Words

In a world driven by information and connectivity, the ability of words has become much more evident than ever. They have the capability to inspire, provoke, and ignite change. Such is the essence of the book **Gehl Serial Number Guide Round Balers**, a literary masterpiece that delves deep into the significance of words and their effect on our lives. Published by a renowned author, this captivating work takes readers on a transformative journey, unraveling the secrets and potential behind every word. In this review, we will explore the book's key themes, examine its writing style, and analyze its overall impact on readers.

<https://staging.conocer.cide.edu/book/virtual-library/index.jsp/Gods%20Fruit.pdf>

Table of Contents Gehl Serial Number Guide Round Balers

1. Understanding the eBook Gehl Serial Number Guide Round Balers
 - The Rise of Digital Reading Gehl Serial Number Guide Round Balers
 - Advantages of eBooks Over Traditional Books
2. Identifying Gehl Serial Number Guide Round Balers
 - Exploring Different Genres
 - Considering Fiction vs. Non-Fiction
 - Determining Your Reading Goals
3. Choosing the Right eBook Platform
 - Popular eBook Platforms
 - Features to Look for in an eBook Platform
 - User-Friendly Interface
4. Exploring eBook Recommendations from Gehl Serial Number Guide Round Balers
 - Personalized Recommendations
 - eBook Platform User Reviews and Ratings
 - eBook Platform and Bestseller Lists

5. Accessing Gehl Serial Number Guide Round Balers Free and Paid eBooks
 - Gehl Serial Number Guide Round Balers Public Domain eBooks
 - Gehl Serial Number Guide Round Balers eBook Subscription Services
 - Gehl Serial Number Guide Round Balers Budget-Friendly Options
6. Navigating Gehl Serial Number Guide Round Balers eBook Formats
 - ePub, PDF, MOBI, and More
 - Gehl Serial Number Guide Round Balers Compatibility with Devices
 - Gehl Serial Number Guide Round Balers Enhanced eBook Features
7. Enhancing Your Reading Experience
 - Adjustable Fonts and Text Sizes of Gehl Serial Number Guide Round Balers
 - Highlighting and Note-Taking Gehl Serial Number Guide Round Balers
 - Interactive Elements Gehl Serial Number Guide Round Balers
8. Staying Engaged with Gehl Serial Number Guide Round Balers
 - Joining Online Reading Communities
 - Participating in Virtual Book Clubs
 - Following Authors and Publishers Gehl Serial Number Guide Round Balers
9. Balancing eBooks and Physical Books Gehl Serial Number Guide Round Balers
 - Benefits of a Digital Library
 - Creating a Diverse Reading Collection Gehl Serial Number Guide Round Balers
10. Overcoming Reading Challenges
 - Dealing with Digital Eye Strain
 - Minimizing Distractions
 - Managing Screen Time
11. Cultivating a Reading Routine Gehl Serial Number Guide Round Balers
 - Setting Reading Goals Gehl Serial Number Guide Round Balers
 - Carving Out Dedicated Reading Time
12. Sourcing Reliable Information of Gehl Serial Number Guide Round Balers
 - Fact-Checking eBook Content of Gehl Serial Number Guide Round Balers
 - Distinguishing Credible Sources
13. Promoting Lifelong Learning

- Utilizing eBooks for Skill Development
 - Exploring Educational eBooks
14. Embracing eBook Trends
- Integration of Multimedia Elements
 - Interactive and Gamified eBooks

Gehl Serial Number Guide Round Balers Introduction

Free PDF Books and Manuals for Download: Unlocking Knowledge at Your Fingertips In today's fast-paced digital age, obtaining valuable knowledge has become easier than ever. Thanks to the internet, a vast array of books and manuals are now available for free download in PDF format. Whether you are a student, professional, or simply an avid reader, this treasure trove of downloadable resources offers a wealth of information, conveniently accessible anytime, anywhere. The advent of online libraries and platforms dedicated to sharing knowledge has revolutionized the way we consume information. No longer confined to physical libraries or bookstores, readers can now access an extensive collection of digital books and manuals with just a few clicks. These resources, available in PDF, Microsoft Word, and PowerPoint formats, cater to a wide range of interests, including literature, technology, science, history, and much more. One notable platform where you can explore and download free Gehl Serial Number Guide Round Balers PDF books and manuals is the internet's largest free library. Hosted online, this catalog compiles a vast assortment of documents, making it a veritable goldmine of knowledge. With its easy-to-use website interface and customizable PDF generator, this platform offers a user-friendly experience, allowing individuals to effortlessly navigate and access the information they seek. The availability of free PDF books and manuals on this platform demonstrates its commitment to democratizing education and empowering individuals with the tools needed to succeed in their chosen fields. It allows anyone, regardless of their background or financial limitations, to expand their horizons and gain insights from experts in various disciplines. One of the most significant advantages of downloading PDF books and manuals lies in their portability. Unlike physical copies, digital books can be stored and carried on a single device, such as a tablet or smartphone, saving valuable space and weight. This convenience makes it possible for readers to have their entire library at their fingertips, whether they are commuting, traveling, or simply enjoying a lazy afternoon at home. Additionally, digital files are easily searchable, enabling readers to locate specific information within seconds. With a few keystrokes, users can search for keywords, topics, or phrases, making research and finding relevant information a breeze. This efficiency saves time and effort, streamlining the learning process and allowing individuals to focus on extracting the information they need. Furthermore, the availability of free PDF books and manuals fosters a culture of continuous learning. By removing financial barriers, more people can access educational resources and pursue lifelong

learning, contributing to personal growth and professional development. This democratization of knowledge promotes intellectual curiosity and empowers individuals to become lifelong learners, promoting progress and innovation in various fields. It is worth noting that while accessing free Gehl Serial Number Guide Round Balers PDF books and manuals is convenient and cost-effective, it is vital to respect copyright laws and intellectual property rights. Platforms offering free downloads often operate within legal boundaries, ensuring that the materials they provide are either in the public domain or authorized for distribution. By adhering to copyright laws, users can enjoy the benefits of free access to knowledge while supporting the authors and publishers who make these resources available. In conclusion, the availability of Gehl Serial Number Guide Round Balers free PDF books and manuals for download has revolutionized the way we access and consume knowledge. With just a few clicks, individuals can explore a vast collection of resources across different disciplines, all free of charge. This accessibility empowers individuals to become lifelong learners, contributing to personal growth, professional development, and the advancement of society as a whole. So why not unlock a world of knowledge today? Start exploring the vast sea of free PDF books and manuals waiting to be discovered right at your fingertips.

FAQs About Gehl Serial Number Guide Round Balers Books

How do I know which eBook platform is the best for me? Finding the best eBook platform depends on your reading preferences and device compatibility. Research different platforms, read user reviews, and explore their features before making a choice. Are free eBooks of good quality? Yes, many reputable platforms offer high-quality free eBooks, including classics and public domain works. However, make sure to verify the source to ensure the eBook credibility. Can I read eBooks without an eReader? Absolutely! Most eBook platforms offer webbased readers or mobile apps that allow you to read eBooks on your computer, tablet, or smartphone. How do I avoid digital eye strain while reading eBooks? To prevent digital eye strain, take regular breaks, adjust the font size and background color, and ensure proper lighting while reading eBooks. What the advantage of interactive eBooks? Interactive eBooks incorporate multimedia elements, quizzes, and activities, enhancing the reader engagement and providing a more immersive learning experience. Gehl Serial Number Guide Round Balers is one of the best book in our library for free trial. We provide copy of Gehl Serial Number Guide Round Balers in digital format, so the resources that you find are reliable. There are also many Ebooks of related with Gehl Serial Number Guide Round Balers. Where to download Gehl Serial Number Guide Round Balers online for free? Are you looking for Gehl Serial Number Guide Round Balers PDF? This is definitely going to save you time and cash in something you should think about. If you trying to find then search around for online. Without a doubt there are numerous these available and many of them have the freedom. However without doubt you receive whatever you purchase. An alternate way to get ideas is always

to check another Gehl Serial Number Guide Round Balers. This method for see exactly what may be included and adopt these ideas to your book. This site will almost certainly help you save time and effort, money and stress. If you are looking for free books then you really should consider finding to assist you try this. Several of Gehl Serial Number Guide Round Balers are for sale to free while some are payable. If you arent sure if the books you would like to download works with for usage along with your computer, it is possible to download free trials. The free guides make it easy for someone to free access online library for download books to your device. You can get free download on free trial for lots of books categories. Our library is the biggest of these that have literally hundreds of thousands of different products categories represented. You will also see that there are specific sites catered to different product types or categories, brands or niches related with Gehl Serial Number Guide Round Balers. So depending on what exactly you are searching, you will be able to choose e books to suit your own need. Need to access completely for Campbell Biology Seventh Edition book? Access Ebook without any digging. And by having access to our ebook online or by storing it on your computer, you have convenient answers with Gehl Serial Number Guide Round Balers To get started finding Gehl Serial Number Guide Round Balers, you are right to find our website which has a comprehensive collection of books online. Our library is the biggest of these that have literally hundreds of thousands of different products represented. You will also see that there are specific sites catered to different categories or niches related with Gehl Serial Number Guide Round Balers So depending on what exactly you are searching, you will be able to choose ebook to suit your own need. Thank you for reading Gehl Serial Number Guide Round Balers. Maybe you have knowledge that, people have search numerous times for their favorite readings like this Gehl Serial Number Guide Round Balers, but end up in harmful downloads. Rather than reading a good book with a cup of coffee in the afternoon, instead they juggled with some harmful bugs inside their laptop. Gehl Serial Number Guide Round Balers is available in our book collection an online access to it is set as public so you can download it instantly. Our digital library spans in multiple locations, allowing you to get the most less latency time to download any of our books like this one. Merely said, Gehl Serial Number Guide Round Balers is universally compatible with any devices to read.

Find Gehl Serial Number Guide Round Balers :

gods fruit

gods oddling the story of mitch stuart my father

god revealed

gods masterwork study series swindoll bible study guides part 1

god unmasked the full life revealed

going east

gods watchman

gods diverse people personality and the christian life

god family and walmart the essentials of life

gods generals dvd 11 gods generals v11 kathryn kuhlman

god wants me to forgive them

gods of sun and sacrifice aztec and maya myth. myth and mankind

going for it a gym bag companion for living our dreams

god speaks again an introduction to the bahai faith

god is great big crayon to color

Gehl Serial Number Guide Round Balers :

Let's Draw Manga - Yaoi (Nook Edition) Creating a yaoi manga is more than just learning how to draw...it's also about story, aesthetics, and imagination! The successful Let's Draw Manga series provides ... Let's Draw Manga - Yaoi (Nook Color Edition) With illustrations and easy to understand, in-depth explanations courtesy of the world-famous manga artist Botan Yamada, you will gain everything you need to ... Let's Draw Manga: Yaoi by Yamada, Botan Botan Yamada, a famous BL artist, takes the reader step-by-step through the process of drawing yaoi manga. Let's Draw Manga: Yaoi - Yamada, Botan: 9781569708682 Botan Yamada, a famous BL artist, takes the reader step-by-step through the process of drawing yaoi manga. "synopsis" may belong to another edition of this ... Let's Draw Manga: Yaoi - Kindle edition by Yamada, Botan. ... Book overview ; Publisher: Digital Manga Publishing; 1st edition (June 19, 2009) ; Publication date: June 19, 2009 ; Language: English ; File size: 7650 KB ; Text-to ... Let's Draw Manga - Yaoi by Botan Yamada This guide to the world of yaoi manga will teach you everything you need to know about how to create characters that look and feel authentically "yaoi." You ... Let's Draw Manga - Yaoi (Nook Edition) pdf free - Ameba Sep 22, 2014 — This manga's story really draws you into their old friendship and their new relationships. But as he doesn't earn money (because hey there's no ... Pdf free The age of em work love and life when robots rule ... Jan 4, 2023 — let s draw manga yaoi nook edition. 2023-01-04. 5/9 let s draw manga yaoi nook edition. Chris Burden 2015-05-05 explains how artificial ... Let's Draw Manga - Yaoi | PDF | Eyebrow | Human Body Let's Draw Manga - Yaoi - Free download as PDF File (.pdf), Text File (.txt) or read online for free. Manga drawing book. The Synthesis Effect: Your Direct Path... by McGrail, John The Synthesis Effect provides simple, powerful, and clinically proven techniques for creating personal change and transformation while outlining a realistic ... The Synthesis Effect: Your Direct Path to Personal Power ... The Synthesis Effect provides simple, powerful, and clinically proven techniques for creating personal change and transformation while outlining a realistic ... The Synthesis Effect: Your Direct Path to Personal Power ...

The Synthesis Effect provides simple, powerful, and clinically proven techniques for creating personal change and transformation while outlining a realistic ... The Synthesis Effect (Your Direct Path to Personal Power ... The Synthesis Effect provides simple, powerful, and clinically proven techniques for creating personal change and transformation while outlining a realistic ... The Synthesis Effect: Your Direct Path to Personal Power ... The Synthesis Effect provides simple, powerful, and clinically proven techniques for creating personal change and transformation while outlining a realistic ... Shop The Synthesis Effect - Your Direct Path to Personal Power and Transformation. \$12.48 · Winning the Weighting Game Hypnosis for a Leaner Lighter You! \$89.00. The Synthesis Effect: Your Direct Path... book by John ... Cover for "The Synthesis Effect: Your Direct Path to Personal Power and Transformation" ... The Synthesis Effect: Your Direct Path to... by John McGrail. \$13.65 ... The Synthesis Effect - Your Direct Path to Personal Power ... Dr. John McGrail answers with an emphatic: "No. Anyone and everyone can create the life of their dreams." In The Synthesis Effect he shows you how. The Synthesis Effect Book by John McGrail Order The Synthesis Effect by John McGrail from Red Wheel/Weiser, your online bookstore for occult, spirituality, and personal growth books. The Synthesis Effect: Your Direct Path to Personal Power ... Jan 1, 2012 — "The Synthesis Effect" provides simple, powerful, and clinically proven techniques for creating personal change and transformation while ... The King and I - Vocal Score by Rodgers & Hammerstein The King and I - Vocal Score · Book overview. Rodgers & Hammerstein The King and I Complete Piano Vocal Score First ... The King and I Vocal Score Composers: Oscar Hammerstein, Richard Rodgers Complete vocal score to the classic,including: Getting to Know You * Hello, Young Lovers * I Whistle a Happy ... The King And I - Score.pdf View and download The King And I - Score.pdf on DocDroid. THE KING AND I VOCAL SCORE. (Edited by DR. ALBERT SIRMAY). PRICE. 15.00. WILLIAMSON MUSIC, INC ... SONG OF THE KING... 165. 39. SHALL WE DANCE?.. 168. 40. MELOS, MY LORD AND ... The King And I sheet music | Play, print, and download in ... Dec 21, 2020 — Play, print, and download in PDF or MIDI sheet music from 'The King And I' set collected by Trevor Coard. THE KING AND I Based on the novel ... The King and I (Vocal Vocal Score) by Buy The King and I (Vocal Vocal Score) by at jwpepper.com. Piano/Vocal Sheet Music. Contains all overtures, incidental music and songs from Th. The King and I (Score) by Richard Rodgers Complete vocal score to the classic with all 14 songs, including: Getting to Know You * Hello, Young Lovers * I Whistle a Happy Tune * Shall We Dance? THE KING AND I vocal score.pdf THE KING AND I vocal score.pdf. Author / Uploaded; Simon Parker. Views 1,686 Downloads 289 File size 9MB. The King and I Something Wonderful Score | PDF The King and I Something Wonderful Score - Free download as PDF File (.pdf) or read online for free. sheet music for Something Wonderful from the musical ... The King And I - Vocal Score Complete vocal score to the classic with all 14 songs, including: Getting to Know You • Hello, Young Lovers • I Whistle a Happy Tune • Shall We Dance?