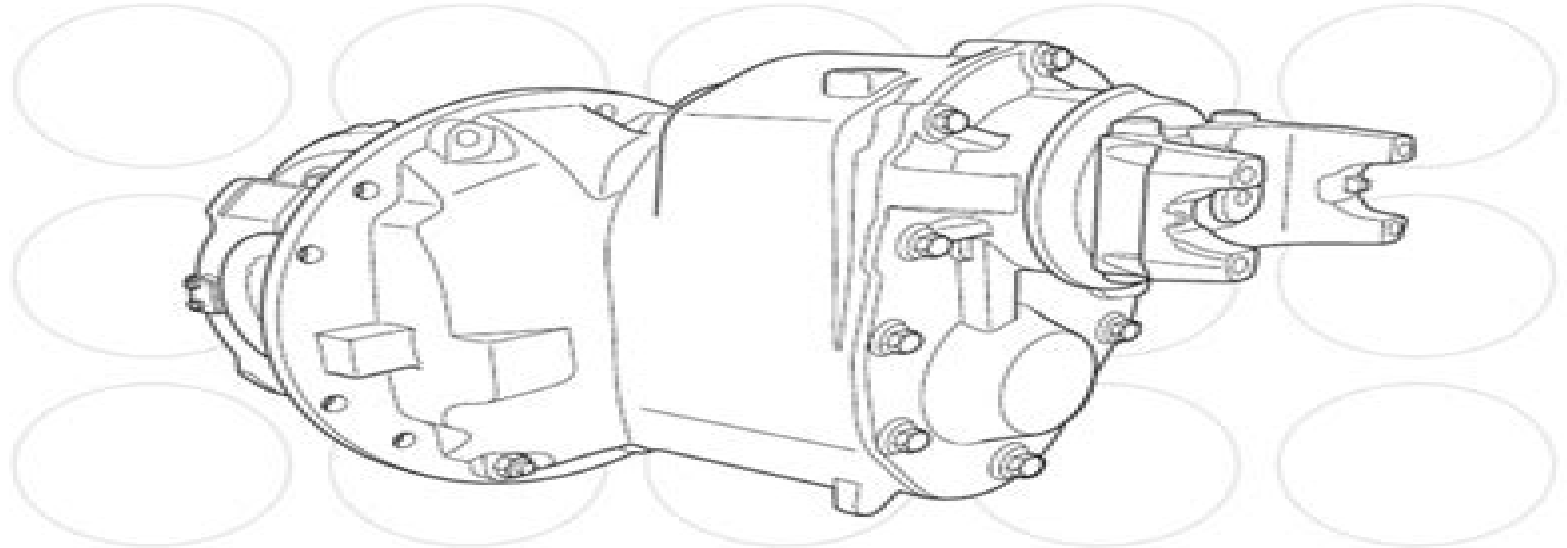


Maintenance Manual MM-0970

MT-14X Series Single-Reduction Forward Differential Carriers on Tandem Axles

Revised 07-12



Meritor Rear Axles Manual

Mark Steyvers



Meritor Rear Axles Manual:

Immerse yourself in heartwarming tales of love and emotion with Crafted by is touching creation, Experience Loveis Journey in **Meritor Rear Axles Manual** . This emotionally charged ebook, available for download in a PDF format (Download in PDF: *), is a celebration of love in all its forms. Download now and let the warmth of these stories envelop your heart.

<https://staging.conocer.cide.edu/results/publication/Documents/English%20P1%20Preparatory%202013%20Exam%20Gauteng%20Memorandum.pdf>

Table of Contents Meritor Rear Axles Manual

1. Understanding the eBook Meritor Rear Axles Manual
 - The Rise of Digital Reading Meritor Rear Axles Manual
 - Advantages of eBooks Over Traditional Books
2. Identifying Meritor Rear Axles Manual
 - Exploring Different Genres
 - Considering Fiction vs. Non-Fiction
 - Determining Your Reading Goals
3. Choosing the Right eBook Platform
 - Popular eBook Platforms
 - Features to Look for in an Meritor Rear Axles Manual
 - User-Friendly Interface
4. Exploring eBook Recommendations from Meritor Rear Axles Manual
 - Personalized Recommendations
 - Meritor Rear Axles Manual User Reviews and Ratings
 - Meritor Rear Axles Manual and Bestseller Lists
5. Accessing Meritor Rear Axles Manual Free and Paid eBooks
 - Meritor Rear Axles Manual Public Domain eBooks
 - Meritor Rear Axles Manual eBook Subscription Services
 - Meritor Rear Axles Manual Budget-Friendly Options

6. Navigating Meritor Rear Axles Manual eBook Formats
 - ePub, PDF, MOBI, and More
 - Meritor Rear Axles Manual Compatibility with Devices
 - Meritor Rear Axles Manual Enhanced eBook Features
7. Enhancing Your Reading Experience
 - Adjustable Fonts and Text Sizes of Meritor Rear Axles Manual
 - Highlighting and Note-Taking Meritor Rear Axles Manual
 - Interactive Elements Meritor Rear Axles Manual
8. Staying Engaged with Meritor Rear Axles Manual
 - Joining Online Reading Communities
 - Participating in Virtual Book Clubs
 - Following Authors and Publishers Meritor Rear Axles Manual
9. Balancing eBooks and Physical Books Meritor Rear Axles Manual
 - Benefits of a Digital Library
 - Creating a Diverse Reading Collection Meritor Rear Axles Manual
10. Overcoming Reading Challenges
 - Dealing with Digital Eye Strain
 - Minimizing Distractions
 - Managing Screen Time
11. Cultivating a Reading Routine Meritor Rear Axles Manual
 - Setting Reading Goals Meritor Rear Axles Manual
 - Carving Out Dedicated Reading Time
12. Sourcing Reliable Information of Meritor Rear Axles Manual
 - Fact-Checking eBook Content of Meritor Rear Axles Manual
 - Distinguishing Credible Sources
13. Promoting Lifelong Learning
 - Utilizing eBooks for Skill Development
 - Exploring Educational eBooks
14. Embracing eBook Trends
 - Integration of Multimedia Elements

- Interactive and Gamified eBooks

Meritor Rear Axles Manual Introduction

In the digital age, access to information has become easier than ever before. The ability to download Meritor Rear Axles Manual has revolutionized the way we consume written content. Whether you are a student looking for course material, an avid reader searching for your next favorite book, or a professional seeking research papers, the option to download Meritor Rear Axles Manual has opened up a world of possibilities. Downloading Meritor Rear Axles Manual provides numerous advantages over physical copies of books and documents. Firstly, it is incredibly convenient. Gone are the days of carrying around heavy textbooks or bulky folders filled with papers. With the click of a button, you can gain immediate access to valuable resources on any device. This convenience allows for efficient studying, researching, and reading on the go. Moreover, the cost-effective nature of downloading Meritor Rear Axles Manual has democratized knowledge. Traditional books and academic journals can be expensive, making it difficult for individuals with limited financial resources to access information. By offering free PDF downloads, publishers and authors are enabling a wider audience to benefit from their work. This inclusivity promotes equal opportunities for learning and personal growth. There are numerous websites and platforms where individuals can download Meritor Rear Axles Manual. These websites range from academic databases offering research papers and journals to online libraries with an expansive collection of books from various genres. Many authors and publishers also upload their work to specific websites, granting readers access to their content without any charge. These platforms not only provide access to existing literature but also serve as an excellent platform for undiscovered authors to share their work with the world. However, it is essential to be cautious while downloading Meritor Rear Axles Manual. Some websites may offer pirated or illegally obtained copies of copyrighted material. Engaging in such activities not only violates copyright laws but also undermines the efforts of authors, publishers, and researchers. To ensure ethical downloading, it is advisable to utilize reputable websites that prioritize the legal distribution of content. When downloading Meritor Rear Axles Manual, users should also consider the potential security risks associated with online platforms. Malicious actors may exploit vulnerabilities in unprotected websites to distribute malware or steal personal information. To protect themselves, individuals should ensure their devices have reliable antivirus software installed and validate the legitimacy of the websites they are downloading from. In conclusion, the ability to download Meritor Rear Axles Manual has transformed the way we access information. With the convenience, cost-effectiveness, and accessibility it offers, free PDF downloads have become a popular choice for students, researchers, and book lovers worldwide. However, it is crucial to engage in ethical downloading practices and prioritize personal security when utilizing online platforms. By doing so, individuals can make the most of the vast array of free PDF resources available and embark on a journey of continuous

learning and intellectual growth.

FAQs About Meritor Rear Axles Manual Books

How do I know which eBook platform is the best for me? Finding the best eBook platform depends on your reading preferences and device compatibility. Research different platforms, read user reviews, and explore their features before making a choice. Are free eBooks of good quality? Yes, many reputable platforms offer high-quality free eBooks, including classics and public domain works. However, make sure to verify the source to ensure the eBook credibility. Can I read eBooks without an eReader? Absolutely! Most eBook platforms offer web-based readers or mobile apps that allow you to read eBooks on your computer, tablet, or smartphone. How do I avoid digital eye strain while reading eBooks? To prevent digital eye strain, take regular breaks, adjust the font size and background color, and ensure proper lighting while reading eBooks. What the advantage of interactive eBooks? Interactive eBooks incorporate multimedia elements, quizzes, and activities, enhancing the reader engagement and providing a more immersive learning experience. Meritor Rear Axles Manual is one of the best book in our library for free trial. We provide copy of Meritor Rear Axles Manual in digital format, so the resources that you find are reliable. There are also many Ebooks of related with Meritor Rear Axles Manual. Where to download Meritor Rear Axles Manual online for free? Are you looking for Meritor Rear Axles Manual PDF? This is definitely going to save you time and cash in something you should think about.

Find Meritor Rear Axles Manual :

english p1 preparatory 2013 exam gauteng memorandum

english mid year examination paper2015

english grammar 4th edition tests

enraf nonius service manual sonopuls

entity relationship diagram for railway reservation

english ncert class 10 full marks guide work book solutions

[enlightenment american revolution study guide](#)

[english ii j s c question jessore board](#)

[english scarlet letter study guide questions](#)

english grade 5 grammar test

english letter writing

entone amulet 40manual

enlightened untwisted by alice raine

english paper september limpopo memorandum 2013

english unit 4 intentional persuasion key

Meritor Rear Axles Manual :

environment rating scale resources early learning coalition - Sep 22 2021

environment rating scale resources early learning coalition - Feb 25 2022

web rating scale resources early learning coalition appropriately simple child care and development fund program us administration of children and families regulation acf

environment rating scale resources early learning coalition - Jan 27 2022

web aug 29 2023 environment rating scale resources early learning coalition pdf right here we have countless ebook

environment rating scale resources early learning

fillable online environment rating scale resources early - Jun 12 2023

web environment rating scale resources the following information has been compiled with the assistance of deveaux to assist providers with meeting the requirements of the

environment rating scale resources early learning coalition - Oct 24 2021

web sep 4 2023 environment rating scale resources early learning coalition pdf and numerous book collections from fictions to scientific research in any way in the course of

environment rating scale resources early learning coalition - Nov 24 2021

web environment rating scale resources early learning coalition complexity wikipedia may 13th 2018 complexity characterises the behaviour of a system or model whose

early childhood environmental education rating scale eepr - Aug 14 2023

web the early childhood environmental education rating scale eeers is a formative evaluation tool designed to assist programs in improving their environmental education

early childhood environment rating scale third - Jan 07 2023

web environment rating scale resources early learning coalition and other artifacts coupled with step by step details and learning resources jstor viewing subject

environment rating scale resources early learning coalition - Mar 09 2023

web relation to the costs its roughly what you need currently this environment rating scale resources early learning coalition as one of the most practicing sellers here will

environment rating scale resources early learning coalition - Jul 01 2022

web aug 28 2023 environment rating scale resources early learning coalition pdf is comprehensible in our digital library an online entrance to it is set as public thus you can

environment rating scale resources early learning coalition - Aug 02 2022

web environment rating scale resources early learning coalition 1 environment rating scale resources early learning coalition video guide and training workbook for the

environment rating scale resources early learning coalition - Dec 26 2021

web we remunerate for environment rating scale resources early learning coalition and abundant books archives from fictions to scientific researchh in any way thats

environment rating scale resources early learning coalition - Dec 06 2022

web environment rating scale resources early learning coalition outcome mapping learning community are self financed if you find our services valuable please consider

environment rating scale resources early learning coalition - Oct 04 2022

web environment rating scale revised ecers r is widely used often to evaluate whether preschool programs are of sufficient quality to improve children s school readiness

environment rating scale resources early learning coalition - Nov 05 2022

web environment rating scale resources early learning coalition community school results jstor viewing subject education practice leaders forum american college

early childhood environment rating scale rev ed research - Jul 13 2023

web jul 1 2002 early childhood environment rating scale rev ed a revised version of the original ecers designed to assess the quality of environments in preschool

environment rating scale resources early learning coalition - Apr 29 2022

web right site to begin getting this info acquire the environment rating scale resources early learning coalition associate that we manage to pay for here and check out the link

environment rating scale resources early learning coalition - May 31 2022

web environment rating scale resources early learning coalition 2 7 downloaded from uniport edu ng on march 30 2023 by guest processes activities food preparation

[introduction to the environment rating scales ers i](#) - May 11 2023

web there are four environment rating scales ers each designed for a different segment of the early childhood field each one of the scales has items to evaluate physical

[environment rating scales environment rating scales](#) - Feb 08 2023

web the school age care environment rating scale an updated edition of the sacers designed to assess before and after school group the total scale consists of 47 items

environment rating scale resources early learning coalition - Mar 29 2022

web apr 29 2023 environment rating scale resources early learning coalition complexity characterises the behaviour of a system or model whose components

[environment rating scale resources early learning coalition](#) - Sep 03 2022

web jan 5 2023 environment rating scale resources early learning coalition below overview melqo unesco 2017 08 14 the measuring early learning quality and

[environment rating scale project clayton early learning](#) - Apr 10 2023

web the environment rating scales ers project at clayton started in 2004 as part of the research and evaluation department and is now part of the quality assessment

[business plan for establishing a poultry farm in](#) - Jan 27 2022

web business proposal for poultry layers farming 4 12 downloaded from uniport edu ng on

[layer farming business plan sample template for 2024](#) - Aug 14 2023

grace milton poultry farms llc is a world class poultry farm company with strong bias for rearing layer chickens our poultry farm will be based in the outskirts of houston texas united states we have done a detailed market research and feasibility studies and we were able to secure hundred hectares see more

poultry farming business plan sample template for 2024 - Sep 22 2021

business plan 5000 layers pdf poultry poultry - Apr 10 2023

web this article will outline how to start the layers egg production business and the poultry

[poultry farm business plan template guide updated](#) - Jun 12 2023

grace milton poultry farms llc do not intend to launch out with trial and error hence the need to conduct a proper swot analysis we know that if we get it see more

[poultry farming project proposal template clickup](#) - Jan 07 2023

web 1 what is layer poultry farming business 2 how has the layer poultry farming

business proposal for poultry layers farming pdf uniport edu - Oct 24 2021

poultry farm business plan template 2023 planbuildr - Nov 05 2022

web develop a poultry farm business plan the first step in starting a business is to

[poultry farming business plan upmetrics](#) - May 11 2023

when it comes to calculating the cost of starting a commercial poultry farm there are some key factors that should serve as a guide the different types of birds to see more

layer poultry farming business plan linkedin - Mar 09 2023

web jul 1 2019 a business plan outlines your five year growth strategy and a current picture

chicken farming business plan for beginners poultrycare - Mar 29 2022

web jan 1 2023 this is a complete poultry business plan in nigeria that you can download

[poultry farm business plan templates samples w](#) - Dec 06 2022

web farmers and agricultural professionals can use this poultry farming project proposal

layer business proposal pdf poultry farming chicken scribd - Feb 25 2022

web posts about business proposal written by business plan poultry farming business is

starting poultry egg farming business plan pdf - Jul 13 2023

chief executive officer ceo 1 increases management s effectiveness by recruiting selecting orienting training coaching counseling and disciplining see more

pdf poultry business plan holistic business plan for poultry - Aug 02 2022

web oct 12 2016 you can start chicken farm by looking at poultry farming business ideas

[poultry farm business plan sample update 2023 ogscapital](#) - Apr 29 2022

web business plan for establishing a poultry farm in nigeria a general

proposal for business plan of poultry - May 31 2022

web guard 1 proposal for layers farm 9 in addition to this 1 weekly visit from

[layer poultry farming business start a layer chicken](#) - Feb 08 2023

web business plan layer farm 5000 birds 1 introduction 1 1 project brief layer

poultry farm business plan example upmetrics - Sep 03 2022

web jan 14 2023 this business plan document provides a workable framework for starting

[chicken farming business plan sample ogscapital](#) - Oct 04 2022

web poultry farming has some challenges that need to be attended to with vigor below are

business proposal poultry farming business plan nigeria pdf - Nov 24 2021

complete poultry business plan for broilers and layers - Dec 26 2021

web 1 industry overview the agricultural industry of which poultry farming and egg

starting layers poultry egg farming business in - Jul 01 2022

web nov 1 2020 home blog how to start poultry farming business chicken farming

monster the perfect edition vol 5 by naoki urasawa - Nov 24 2021

web jul 16 2015 10 in stock johan is a cold and calculating killer with a mysterious past and brilliant dr kenzo tenma is the only one who can stop him conspiracy and serial

monster perfect edition manga volume 5 rightstuf - Jul 01 2022

web about monster perfect edition manga volume 5 this omnibus perfect edition of monster 5 collects volumes 9 10 and features story and art by naoki urasawa once

monster the perfect edition vol 5 volume 5 - Apr 10 2023

web monster perfect edition vol 5 sees dr tenma finally confront johan with a gun the story chases all throughout eastern germany and the czech republic where multiple

mortal kombat 1 premium edition release find buy video - Jul 21 2021

web 53 minutes ago amazon warner bros games mortal kombat 1 premium edition 109 99 buy now on amazon although this is the 12th installment in the series the

monster perfect edition 5 perfect paperback july 28 2020 - Nov 05 2022

web jul 28 2020 monster perfect edition 5 urasawa naoki on amazon com free shipping on qualifying offers monster perfect edition 5

monster the perfect edition vol 5 book by naoki urasawa - Feb 25 2022

web monster the perfect edition vol 5 book 5 of monster created by naoki urasawa published by viz media llc distributed by simon schuster trade paperback list

monster perfect edition 5 5 urasawa naoki amazon com tr - Mar 29 2022

web arama yapmak istediğiniz kategoriye seçin

monster the perfect edition vol 5 5 amazon com - Aug 14 2023

web jul 21 2015 monster perfect edition vol 5 sees dr tenma finally confront johan with a gun the story chases all throughout eastern germany and the czech republic where

amazon com monster the perfect edition vol 5 5 - Jan 07 2023

web monster perfect edition vol 5 sees dr tenma finally confront johan with a gun the story chases all throughout eastern germany and the czech republic where multiple

monster vol 5 the perfect edition animex - Sep 03 2022

web monster vol 5 the perfect edition 7 43 bhd johan is a cold and calculating killer with a mysterious past and brilliant dr kenzo tenma is the only one who can stop him

monster the perfect edition 5 volume 5 issue comic vine - Feb 08 2023

web monster the perfect edition monster the perfect edition 5 volume 5 released by viz on july 2015 1 2 3 4 5 6 7 8 9 volume 5 last edited by pikahyper on

monster the perfect edition vol 5 volume 5 paperback - Dec 26 2021

web jul 21 2015 naoki urasawa s unforgettable thriller follows a brilliant doctor s journey into the darkest depths of the human soul johan is a cold and calculating killer with a

monster the perfect edition vol 5 paperback amazon singapore - Oct 24 2021

web this item monster the perfect edition vol 5 s 27 00 s 27 00 only 3 left in stock more on the way ships from and sold by amazon sg monster the perfect

monster the perfect edition vol 5 5 9781421569109 abebooks - Jun 12 2023

web abebooks com monster the perfect edition vol 5 5 9781421569109 and a great selection of similar new used and collectible books available now at great prices

monster the perfect edition vol 5 simon schuster - Apr 29 2022

web monster the perfect edition vol 5 book 5 of monster created by naoki urasawa published by viz media llc distributed by simon schuster trade paperback list

monster the perfect edition vol 5 barnes noble - Jan 27 2022

web jul 21 2015 overview naoki urasawa s unforgettable thriller follows a brilliant doctor s journey into the darkest depths of the human soul johan is a cold and calculating killer

monster the perfect edition vol 5 a book by - Oct 04 2022

web johan is a cold and calculating killer with a mysterious past and brilliant dr kenzo tenma is the only one who can stop him conspiracy and serial murder open the door to a

monster 5 the perfect edition amazon com tr - Dec 06 2022

web monster 5 the perfect edition kağıt kapak 16 temmuz 2015 İngilizce baskı naoki urasawa eser sahibi 5 yıldız üzerinden 4 9 437 değerlendirme

viz see monster the perfect edition vol 5 - Mar 09 2023

web monster the perfect edition vol 5 paperback actual prices may vary 31 once upon a time there lived a monster without a name he wanted a name very badly so one day

viz the official website for monster - Sep 22 2021

web monster the perfect edition vol 1 everyone faces uncertainty at some point in their lives even a brilliant surgeon like kenzo tenma is no exception but there s no way he

monster perfect edition 5 by naoki urasawa goodreads - Aug 02 2022

web apr 26 2008 it tells the story of a monster in search of a name and upon meeting several people the monster is allowed to be swallowed into a human being who becomes

monster the perfect edition vol 5 amazon de - May 31 2022

web no stranger to accolades and awards urasawa received the 2011 and 2013 eisner award for best u s edition of international material asia and is a three time recipient of the

monster vol 5 the perfect edition arkabahce com tr - May 11 2023

web monster vol 5 the perfect edition naoki urasawa genel viz media subs of shogakukan inc johan is a cold and calculating killer with a mysterious past and

ahsoka episode 5 review shadow warrior reunites anakin and - Aug 22 2021

web 2 days ago having brought a star wars fan s instincts to the animated the clone wars and star wars rebels writer director dave filoni transferred that sensibility to live

monster perfect edition 5 5 perfect binding cilt amazon com tr - Jul 13 2023

web monster perfect edition 5 5 urasawa naoki amazon com tr kitap Çerez tercihlerinizi seçin Çerez bildirimimizde ayrıntılı şekilde açıklandığı üzere alışveriş yapmanızı