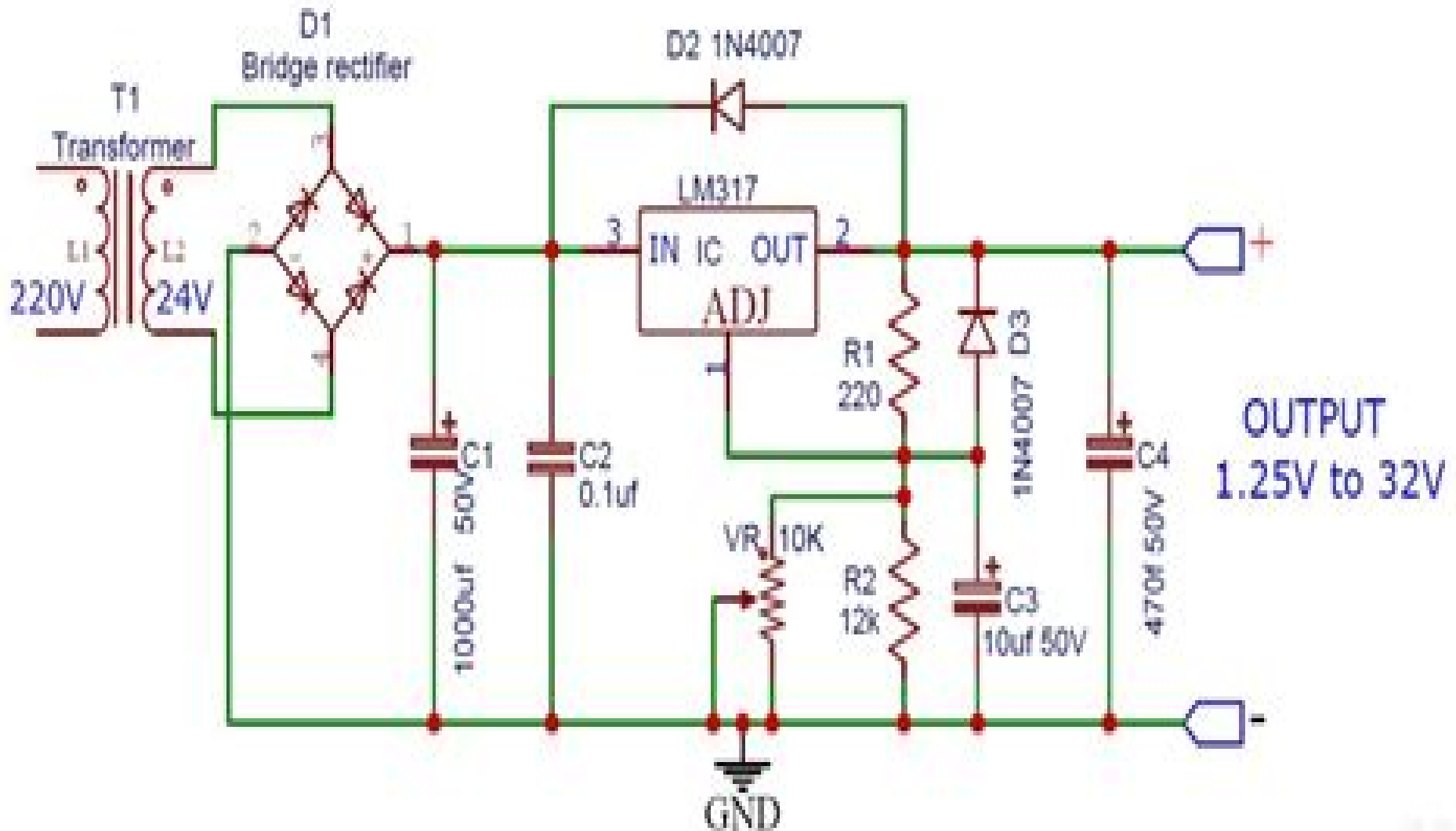


# LM317 Adjustable Power Supply Circuit



# Lm317 Adjustable Power Supply Schematic

**Rudolf F. Graf**



## **Lm317 Adjustable Power Supply Schematic:**

Fuel your quest for knowledge with is thought-provoking masterpiece, Dive into the World of **Lm317 Adjustable Power Supply Schematic** . This educational ebook, conveniently sized in PDF ( Download in PDF: \*), is a gateway to personal growth and intellectual stimulation. Immerse yourself in the enriching content curated to cater to every eager mind. Download now and embark on a learning journey that promises to expand your horizons. .

<https://staging.conocer.cide.edu/book/uploaded-files/fetch.php/Largo%20Winch%20Tome%206%20Dutch%20Connection.pdf>

## **Table of Contents Lm317 Adjustable Power Supply Schematic**

1. Understanding the eBook Lm317 Adjustable Power Supply Schematic
  - The Rise of Digital Reading Lm317 Adjustable Power Supply Schematic
  - Advantages of eBooks Over Traditional Books
2. Identifying Lm317 Adjustable Power Supply Schematic
  - Exploring Different Genres
  - Considering Fiction vs. Non-Fiction
  - Determining Your Reading Goals
3. Choosing the Right eBook Platform
  - Popular eBook Platforms
  - Features to Look for in an Lm317 Adjustable Power Supply Schematic
  - User-Friendly Interface
4. Exploring eBook Recommendations from Lm317 Adjustable Power Supply Schematic
  - Personalized Recommendations
  - Lm317 Adjustable Power Supply Schematic User Reviews and Ratings
  - Lm317 Adjustable Power Supply Schematic and Bestseller Lists
5. Accessing Lm317 Adjustable Power Supply Schematic Free and Paid eBooks
  - Lm317 Adjustable Power Supply Schematic Public Domain eBooks
  - Lm317 Adjustable Power Supply Schematic eBook Subscription Services
  - Lm317 Adjustable Power Supply Schematic Budget-Friendly Options

6. Navigating Lm317 Adjustable Power Supply Schematic eBook Formats
  - ePub, PDF, MOBI, and More
  - Lm317 Adjustable Power Supply Schematic Compatibility with Devices
  - Lm317 Adjustable Power Supply Schematic Enhanced eBook Features
7. Enhancing Your Reading Experience
  - Adjustable Fonts and Text Sizes of Lm317 Adjustable Power Supply Schematic
  - Highlighting and Note-Taking Lm317 Adjustable Power Supply Schematic
  - Interactive Elements Lm317 Adjustable Power Supply Schematic
8. Staying Engaged with Lm317 Adjustable Power Supply Schematic
  - Joining Online Reading Communities
  - Participating in Virtual Book Clubs
  - Following Authors and Publishers Lm317 Adjustable Power Supply Schematic
9. Balancing eBooks and Physical Books Lm317 Adjustable Power Supply Schematic
  - Benefits of a Digital Library
  - Creating a Diverse Reading Collection Lm317 Adjustable Power Supply Schematic
10. Overcoming Reading Challenges
  - Dealing with Digital Eye Strain
  - Minimizing Distractions
  - Managing Screen Time
11. Cultivating a Reading Routine Lm317 Adjustable Power Supply Schematic
  - Setting Reading Goals Lm317 Adjustable Power Supply Schematic
  - Carving Out Dedicated Reading Time
12. Sourcing Reliable Information of Lm317 Adjustable Power Supply Schematic
  - Fact-Checking eBook Content of Lm317 Adjustable Power Supply Schematic
  - Distinguishing Credible Sources
13. Promoting Lifelong Learning
  - Utilizing eBooks for Skill Development
  - Exploring Educational eBooks
14. Embracing eBook Trends
  - Integration of Multimedia Elements

- Interactive and Gamified eBooks

### **Lm317 Adjustable Power Supply Schematic Introduction**

Lm317 Adjustable Power Supply Schematic Offers over 60,000 free eBooks, including many classics that are in the public domain. Open Library: Provides access to over 1 million free eBooks, including classic literature and contemporary works. Lm317 Adjustable Power Supply Schematic Offers a vast collection of books, some of which are available for free as PDF downloads, particularly older books in the public domain. Lm317 Adjustable Power Supply Schematic : This website hosts a vast collection of scientific articles, books, and textbooks. While it operates in a legal gray area due to copyright issues, its a popular resource for finding various publications. Internet Archive for Lm317 Adjustable Power Supply Schematic : Has an extensive collection of digital content, including books, articles, videos, and more. It has a massive library of free downloadable books. Free-eBooks Lm317 Adjustable Power Supply Schematic Offers a diverse range of free eBooks across various genres. Lm317 Adjustable Power Supply Schematic Focuses mainly on educational books, textbooks, and business books. It offers free PDF downloads for educational purposes. Lm317 Adjustable Power Supply Schematic Provides a large selection of free eBooks in different genres, which are available for download in various formats, including PDF. Finding specific Lm317 Adjustable Power Supply Schematic, especially related to Lm317 Adjustable Power Supply Schematic, might be challenging as theyre often artistic creations rather than practical blueprints. However, you can explore the following steps to search for or create your own Online Searches: Look for websites, forums, or blogs dedicated to Lm317 Adjustable Power Supply Schematic, Sometimes enthusiasts share their designs or concepts in PDF format. Books and Magazines Some Lm317 Adjustable Power Supply Schematic books or magazines might include. Look for these in online stores or libraries. Remember that while Lm317 Adjustable Power Supply Schematic, sharing copyrighted material without permission is not legal. Always ensure youre either creating your own or obtaining them from legitimate sources that allow sharing and downloading. Library Check if your local library offers eBook lending services. Many libraries have digital catalogs where you can borrow Lm317 Adjustable Power Supply Schematic eBooks for free, including popular titles. Online Retailers: Websites like Amazon, Google Books, or Apple Books often sell eBooks. Sometimes, authors or publishers offer promotions or free periods for certain books. Authors Website Occasionally, authors provide excerpts or short stories for free on their websites. While this might not be the Lm317 Adjustable Power Supply Schematic full book , it can give you a taste of the authors writing style. Subscription Services Platforms like Kindle Unlimited or Scribd offer subscription-based access to a wide range of Lm317 Adjustable Power Supply Schematic eBooks, including some popular titles.

## FAQs About Lm317 Adjustable Power Supply Schematic Books

How do I know which eBook platform is the best for me? Finding the best eBook platform depends on your reading preferences and device compatibility. Research different platforms, read user reviews, and explore their features before making a choice. Are free eBooks of good quality? Yes, many reputable platforms offer high-quality free eBooks, including classics and public domain works. However, make sure to verify the source to ensure the eBook credibility. Can I read eBooks without an eReader? Absolutely! Most eBook platforms offer webbased readers or mobile apps that allow you to read eBooks on your computer, tablet, or smartphone. How do I avoid digital eye strain while reading eBooks? To prevent digital eye strain, take regular breaks, adjust the font size and background color, and ensure proper lighting while reading eBooks. What the advantage of interactive eBooks? Interactive eBooks incorporate multimedia elements, quizzes, and activities, enhancing the reader engagement and providing a more immersive learning experience. Lm317 Adjustable Power Supply Schematic is one of the best book in our library for free trial. We provide copy of Lm317 Adjustable Power Supply Schematic in digital format, so the resources that you find are reliable. There are also many Ebooks of related with Lm317 Adjustable Power Supply Schematic. Where to download Lm317 Adjustable Power Supply Schematic online for free? Are you looking for Lm317 Adjustable Power Supply Schematic PDF? This is definitely going to save you time and cash in something you should think about. If you trying to find then search around for online. Without a doubt there are numerous these available and many of them have the freedom. However without doubt you receive whatever you purchase. An alternate way to get ideas is always to check another Lm317 Adjustable Power Supply Schematic. This method for see exactly what may be included and adopt these ideas to your book. This site will almost certainly help you save time and effort, money and stress. If you are looking for free books then you really should consider finding to assist you try this. Several of Lm317 Adjustable Power Supply Schematic are for sale to free while some are payable. If you arent sure if the books you would like to download works with for usage along with your computer, it is possible to download free trials. The free guides make it easy for someone to free access online library for download books to your device. You can get free download on free trial for lots of books categories. Our library is the biggest of these that have literally hundreds of thousands of different products categories represented. You will also see that there are specific sites catered to different product types or categories, brands or niches related with Lm317 Adjustable Power Supply Schematic. So depending on what exactly you are searching, you will be able to choose e books to suit your own need. Need to access completely for Campbell Biology Seventh Edition book? Access Ebook without any digging. And by having access to our ebook online or by storing it on your computer, you have convenient answers with Lm317 Adjustable Power Supply Schematic To get started finding Lm317 Adjustable Power Supply Schematic, you are right to find our website which has a comprehensive collection of books online. Our library is the biggest of these that have literally hundreds of thousands of different products represented. You will also see that there are specific sites

catered to different categories or niches related with Lm317 Adjustable Power Supply Schematic So depending on what exactly you are searching, you will be able to choose ebook to suit your own need. Thank you for reading Lm317 Adjustable Power Supply Schematic. Maybe you have knowledge that, people have search numerous times for their favorite readings like this Lm317 Adjustable Power Supply Schematic, but end up in harmful downloads. Rather than reading a good book with a cup of coffee in the afternoon, instead they juggled with some harmful bugs inside their laptop. Lm317 Adjustable Power Supply Schematic is available in our book collection an online access to it is set as public so you can download it instantly. Our digital library spans in multiple locations, allowing you to get the most less latency time to download any of our books like this one. Merely said, Lm317 Adjustable Power Supply Schematic is universally compatible with any devices to read.

### **Find Lm317 Adjustable Power Supply Schematic :**

**largo winch tome 6 dutch connection**

**last story**

**large ions their vaporization detection and structural analysis**

last action hero the making of the arnold schwarzenegger film the official moviebook

las peliculas de mi vida

larry king laughs cassette best of the larry king show vol 1

*largebe parti pris*

**last family a suspense novel**

**last of sheila**

las vegas reno laughlin lake tahoe 2000 edition

*last exit to earth*

**larte con il sorriso trenta artisti cuba**

**laser cookbook 99 practical projects**

**lart de la compabion**

*last rites the work of the modern funeral director death value and meaning*

### **Lm317 Adjustable Power Supply Schematic :**

enrolled nursing assistant in umzimkhulu pdf lgscout - May 18 2023

web 2 enrolled nursing assistant in umzimkhulu 2020 02 27 barker layla ten national academies press distributed by world



scientific publishing hackensack nj the alkalinity of bottled water national learning corporation nations around the world are undertaking wide ranging reforms to better prepare children for the

**enrolled nursing assistant in umzimkhulu rhur impacthub net** - Sep 10 2022

web oct 9 2023 enrolled nursing assistant jobs in western cape gumtree rhur impacthub net 5 31 may 2nd 2018 find enrolled nursing assistant jobs in western cape view

**enrolled nursing assistant in umzimkhulu pdf uniport edu** - May 06 2022

web jul 3 2023 enrolled nursing assistant in umzimkhulu 1 8 downloaded from uniport edu ng on july 3 2023 by guest enrolled nursing assistant in umzimkhulu when somebody should go to the books stores search foundation by shop shelf by shelf it is really problematic this is why we allow the book compilations in this website

nursing assistant salary in singapore indeed - Feb 15 2023

web nov 9 2023 average base salary 2 495 the average salary for a nursing assistant is 2 495 per month in singapore 78 salaries reported updated at 9 november 2023 is this useful

**enrolled nursing assistant in umzimkhulu pantera adecco** - Jun 19 2023

web 2 enrolled nursing assistant in umzimkhulu 2022 11 13 inclusive leadership and also fundamental imperatives for writing this book it will be useful to those in education who are engaged in further academic study in education or in reflective practice and to anyone taking advanced programmes in educational leadership and management

**the ultimate nursing career guide in singapore homage** - Mar 16 2023

web the nitec in nursing for enrolled nurses in ite college costs about 5 600 for a singapore permanent resident for a singapore citizen it ll be around 440 both amounts cover one academic year if you want to become a registered nurse an academic year in national university in singapore costs about 8 900 for singapore citizens and 12 500

*enrolled nursing assistant in umzimkhulu 2022 vps huratips* - Dec 13 2022

web enrolled nursing assistant in umzimkhulu downloaded from vps huratips com by guest bianca roberson dunroamin university press of amer an insider s journey into the heart of a broken racist system of justice and the role junk science plays in maintaining the status quo from csi to forensic files to the celebrated reputation of the

*enrolled nursing assistant in umzimkhulu pdf kelliemay* - Jun 07 2022

web jan 15 2023 thank you very much for downloading enrolled nursing assistant in umzimkhulu maybe you have knowledge that people have look numerous times for their favorite books past this enrolled nursing assistant in umzimkhulu but end in the works in harmful downloads

*enrolled nursing assistant in umzimkhulu trainwithpst* - Aug 21 2023

web enrolled nursing assistant in umzimkhulu 1 omb no 5640475920738 enrolled nursing assistant in umzimkhulu leadership

for inclusive education junk science and the american criminal justice system perceptions of policymakers comparative vocabularies of bushman languages handbook of loss prevention engineering

**enrolled nursing assistant in umzimkhulu pdf uniport edu** - Nov 12 2022

web jul 9 2023 enrolled nursing assistant in umzimkhulu 1 1 downloaded from uniport edu ng on july 9 2023 by guest enrolled nursing assistant in umzimkhulu getting the books enrolled nursing assistant in umzimkhulu now is not type of challenging means you could not unaccompanied going later ebook accrual or library or

**enrolled nursing assistant in umzimkhulu web fsa gov kh** - Jan 14 2023

web enrolled nursing assistant in umzimkhulu direction and delegation christchurch hospital april 29th 2018 decisions in relation to direction and delegation within a nursing midwifery 4 enrolled nurse coordination of health care assistants enrolled nurses may

**enrolled nursing assistant in umzimkhulu rhur impacthub net** - Oct 11 2022

web sep 1 2023 enrolled nursing assistant jobs in pretoria pnet co za enrolled nurse job in umzimkhulu hospital by sanya kazuhide the difference between an enrolled nurse and a registered

*enrolled nursing assistant in umzimkhulu pdf phone cholaca* - Aug 09 2022

web what you habit currently this enrolled nursing assistant in umzimkhulu as one of the most operational sellers here will unquestionably be among the best options to review enrolled nursing assistant in umzimkhulu downloaded from phone cholaca com by guest greyson pratt annual report of the department of health wentworth

**nursing assistant courses in singapore** - Apr 17 2023

web health and social care level 3 inspire london college duration upto 1 year 90 off for laimoon users get this deal sgd 33 sgd 355 enrol now add to wishlist read more load more courses see all current nursing assistant jobs in singapore nursing assistant careers in singapore

*enrolled nursing assistant in umzimkhulu pdf uniport edu* - Jul 08 2022

web enrolled nursing assistant in umzimkhulu 1 11 downloaded from uniport edu ng on july 2 2023 by guest enrolled nursing assistant in umzimkhulu thank you utterly much for downloading enrolled nursing assistant in umzimkhulu most likely you have knowledge that people have see numerous time for their favorite books in the same way as this

**enrolled nursing assistant in umzimkhulu stage gapinc com** - Jul 20 2023

web 2 enrolled nursing assistant in umzimkhulu 2022 05 27 enrolled nursing assistant in umzimkhulu downloaded from stage gapinc com by guest kamren blanchard annual report of the department of health cambridge university press black development njabulo ndebele the new day c m c ndamse kwa zulu development m g

**enrolled nursing assistant in umzimkhulu uniport edu** - Mar 04 2022

web apr 14 2023 enrolled nursing assistant in umzimkhulu 2 7 downloaded from uniport edu ng on april 14 2023 by guest that anyone can play there is no hierarchy to original thinking the art of the idea provides a toolbox for achieving excellence and offers a new way of defining your world by illustrating how to create

**enrolled nurse singapore professional enrolled nurse job** - Sep 22 2023

web nicole consultancy offers flexible one of the highest salary professional enrolled nurse in singapore call 62215262 for professional nursing jobs today

enrolled nursing assistant in umzimkhulu copy uniport edu - Apr 05 2022

web jun 11 2023 enrolled nursing assistant in umzimkhulu is available in our digital library an online access to it is set as public so you can get it instantly our book servers hosts in multiple countries allowing you to get the most less

enrolled nursing assistant in umzimkhulu 2022 data northitalia - Oct 23 2023

web enrolled nursing assistant in umzimkhulu downloaded from data northitalia com by guest holden darien statistical clerk cambridge university press join the terrible ones on clandestine operations and in conventional warfare during the harsh bush war that raged through southern angola in the 1980s the conflict ended with the

**shirley movie review film summary 2020 roger ebert** - Jun 01 2023

web jun 5 2020 shirley is alternately cruel and kind to rose keeping rose perpetually on edge jackson is working on a new novel 1951 s hangsaman based on the real life disappearance of a local girl paula jean welden whose disappearance remains unsolved in shirley s imagination paula is a girl in a red coat walking through the woods her face

**shirley review elisabeth moss gets under a horror writer s skin** - Jul 02 2023

web oct 29 2020 moss s shirley is cantankerous and contemptuous especially when she decides to break her agoraphobe purdah and show up at the dean s annual party where she is inevitably rude and horrible

*shirley 2020 imdb* - Aug 03 2023

web jun 5 2020 shirley directed by josephine decker with elisabeth moss odessa young michael stuhlbarg logan lerman a famous horror writer finds inspiration for her next book after she and her husband take in a young couple

*shirley review a writer as scary as her stories* - Sep 04 2023

web jun 3 2020 shirley is a mystery and a monster and shirley is at once a sincere tribute and a sly hatchet job stanley a prancing intellectual hobbit is nasty to fred and creepily nice to rose but

**shirley 2020 film wikipedia** - Oct 05 2023

web shirley is a 2020 american biographical drama film directed by josephine decker and written by sarah gubbins based on the 2014 novel of the same name by susan scarf merrell which formed a largely fictional story around novelist shirley jackson during the time period she was writing her 1951 novel hangsaman the film stars elisabeth moss as

**shirley novel wikipedia** - Apr 30 2023

web shirley a tale is a social novel by the english novelist charlotte brontë first published in 1849 it was brontë s second published novel after jane eyre originally published under brontë s pseudonym currer bell the novel is set in yorkshire in 1811 12 during the industrial depression resulting from the napoleonic wars and the war of

**shirley trailer 1 2020 movieclips trailers youtube** - Mar 30 2023

web may 8 2020 check out the official shirley trailer starring elisabeth moss let us know what you think in the comments below watch on fandango now fandango

**shirley review elisabeth moss anchors darkly compelling literary** - Jan 28 2023

web jan 26 2020 shirley is showing at the sundance film festival with a release date yet to be announced explore more on these topics sundance 2020 first look review sundance film festival elisabeth moss

**shirley 2020 plot imdb** - Dec 27 2022

web shirley is initially deliberately provocative and cruel to rose as the nemsers move into their house shirley begins writing announcing a new work based on paula jean welden a young woman who recently disappeared from bennington s campus stanley is controlling and obsessive over shirley s writing believing her to be a genius but forcing her

*shirley rotten tomatoes* - Feb 26 2023

web watch shirley with a subscription on max rent on apple tv amazon prime video vudu or buy on apple tv amazon prime video vudu rate and review submit review want to see

**hrm chapter7 test bank exam name studocu** - Sep 09 2022

hrm chapter7 test bank exam name multiple choice choose the studocu exam multiple choice choose the one alternative that best

managing human resources by wayne cascio 11th edition test - Aug 08 2022

managing human resources by wayne cascio 11th edition test bank chapter 07 recruiting true false questions 1 recruitment is an important component of the staffing supply

**test bank for managing human resources 10th edition jackson** - Jun 18 2023

test bank for managing human resources 10th edition jackson free download as pdf file pdf text file txt or read online for free test bank

managing human resources yumpu - Jun 06 2022

read the latest magazines about managing human resources and discover magazines on yumpu com en english deutsch français español português italiano român nederlands

*test bank for managing human resources 8th edition by gomez* - Oct 30 2021

aug 3 2018 15 managers most likely use work flow analysis in order to a recombine a specialized task into one more complex and satisfying job b simplify jobs by breaking them

**hrm testbank chapter1 chapter 01 managing human** - Aug 20 2023

preview text chapter 01 managing human resourceschapter 01managing human resources true false questions 1 managers and economists traditionally have seen

**managing human resources 8th edition luis r gomez test** - Jan 01 2022

managing human resources 8th edition luis r gomez mejia david b balkin robert l cardy 2016 solution manual instructor solution manual test bank test bank us list

**chapter 2 strategy and human resources planning test bank** - Feb 02 2022

1 what is the first step in the strategic planning process a putting together the human resource management team b executing the human resource plan c establishing the

*human resource management pearson* - May 05 2022

jan 12 2016 loose leaf human resource management isbn 13 9780134237510 published 2016 159 99 239 99 price reduced from 299 99 buy now free delivery need help

**test bank for human resource management 13th edition by** - Jul 07 2022

oct 31 2022 hrm exam elaborations test bank for human resource management 13th edition by raymond noe course hrm institution hrm test bank for human resource

**test bank for managing human resources 14e bohlander** - Apr 04 2022

test bank for managing human resources 14th edition george w bohlander scott a snell isbn 10 0324314639 isbn 13 9780324314632 part one human resources

**managing human resources 12th edition by cascio** - Apr 16 2023

aug 14 2023 question details learning objective 01 02 explain the importance of human relations in business 4 successful job applicants are now sought more for their technical or

**test bank and solutions for managing human resources 9th** - Jul 19 2023

test bank and solutions for managing human resources 9th canadian edition by bellcourt studocu solutions test bank ebook for managing human resources 9th canadian

managing human resources gomez mejia complete test bank - Feb 14 2023

apr 14 2022 description test bank with practice exam questions and their answers compatible with different editions newer and older various difficulty levels from easy to

*managing human resources test bank and assessment* - Jan 13 2023

jan 15 2022 this test bank and assessment to the managing human resources topic which is covered by management module students will help you to assess your student on this topic

test bank for managing human resources canadian 7th edition - Nov 11 2022

a strategic planning b human resources planning c performing a markov analysis d applying principles of strategic human resources management ans a pts 1 ref 40 obj 1 blm

managing human resources test bank studocu - Mar 15 2023

a strategic planning b human resources planning c applying principles of strategic human resources management d planning both its business needs and its hr needs answer c

*human resource management quiz pdf mcq questions* - Nov 30 2021

test 33 global assignment management mcqs test 34 global business mcqs test 35 grievance management mcqs test 36

health care benefits mcqs test 37 health safety

**test bank solutions for managing human resources 11th** - Sep 21 2023

test bank solutions manual ebook connect assignments and learn smart quizzes for managing human resources 11th edition by wayne cascio isbn10 1259911926

exam summary advanced topics human resource - Dec 12 2022

the exams include 10 questions for each exam topic each exam is unique as questions are selected at random from the test bank of over 200 questions per topic institutions select the

**managing human resources multiple choice quiz mcgraw** - May 17 2023

multiple choice quiz managing people is not the primary responsibility of the human resources department true false line managers provide the technical expertise in each

**test bank for managing human resources 8th edition gomez** - Oct 10 2022

aug 11 2023 answer b diff 3 aacsb analytical thinking skill application lo 2 1 understand the organizational perspective of work 4 a company with a prospector strategy

**test bank for human resource management 16th edition** - Mar 03 2022

managing global human resources managing human resources in small and entrepreneurial firms this test bank pack contains 18 test banks with all answers for all 18