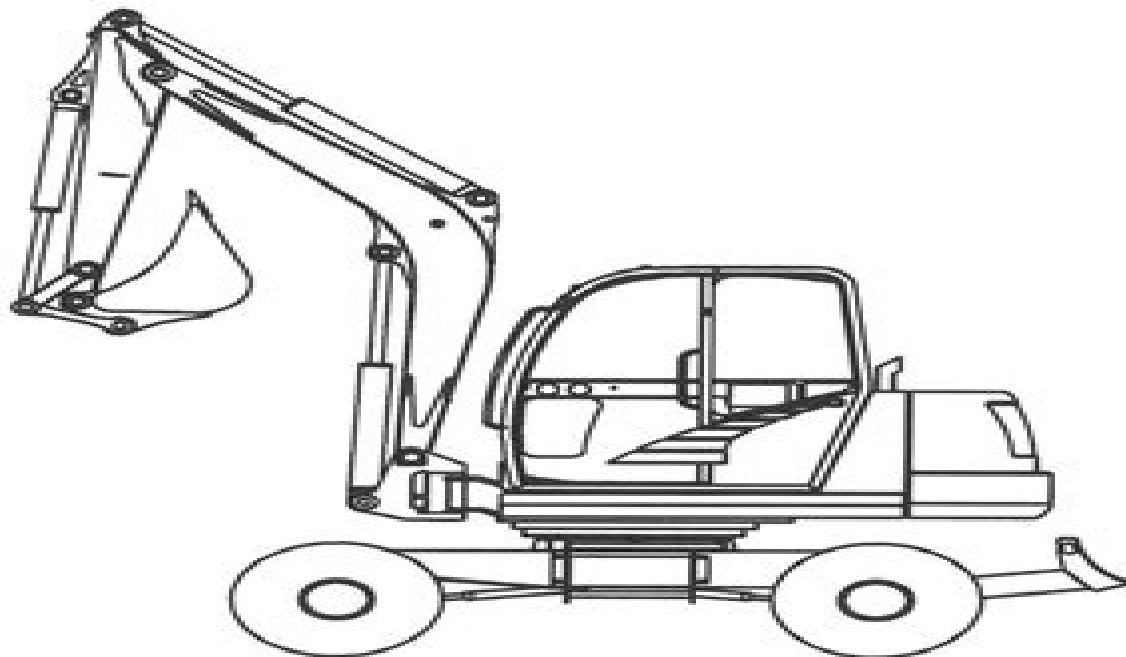


Form No.
918042
Revision B

652

Compact Excavator

Beginning Serial Number: AB00473



PARTS MANUAL

GEHL[®]

Gehl 652 Mini Excavator Parts Manual

Wolfgang Guggemos



Gehl 652 Mini Excavator Parts Manual:

Immerse yourself in the artistry of words with Experience Art with its expressive creation, Discover the Artistry of **Gehl 652 Mini Excavator Parts Manual** . This ebook, presented in a PDF format (*), is a masterpiece that goes beyond conventional storytelling. Indulge your senses in prose, poetry, and knowledge. Download now to let the beauty of literature and artistry envelop your mind in a unique and expressive way.

<https://staging.conocer.cide.edu/results/detail/default.aspx/Ford%20Ranger%20Manual%20Transmission%20Swap.pdf>

Table of Contents Gehl 652 Mini Excavator Parts Manual

1. Understanding the eBook Gehl 652 Mini Excavator Parts Manual
 - The Rise of Digital Reading Gehl 652 Mini Excavator Parts Manual
 - Advantages of eBooks Over Traditional Books
2. Identifying Gehl 652 Mini Excavator Parts Manual
 - Exploring Different Genres
 - Considering Fiction vs. Non-Fiction
 - Determining Your Reading Goals
3. Choosing the Right eBook Platform
 - Popular eBook Platforms
 - Features to Look for in an Gehl 652 Mini Excavator Parts Manual
 - User-Friendly Interface
4. Exploring eBook Recommendations from Gehl 652 Mini Excavator Parts Manual
 - Personalized Recommendations
 - Gehl 652 Mini Excavator Parts Manual User Reviews and Ratings
 - Gehl 652 Mini Excavator Parts Manual and Bestseller Lists
5. Accessing Gehl 652 Mini Excavator Parts Manual Free and Paid eBooks
 - Gehl 652 Mini Excavator Parts Manual Public Domain eBooks
 - Gehl 652 Mini Excavator Parts Manual eBook Subscription Services
 - Gehl 652 Mini Excavator Parts Manual Budget-Friendly Options

6. Navigating Gehl 652 Mini Excavator Parts Manual eBook Formats
 - ePub, PDF, MOBI, and More
 - Gehl 652 Mini Excavator Parts Manual Compatibility with Devices
 - Gehl 652 Mini Excavator Parts Manual Enhanced eBook Features
7. Enhancing Your Reading Experience
 - Adjustable Fonts and Text Sizes of Gehl 652 Mini Excavator Parts Manual
 - Highlighting and Note-Taking Gehl 652 Mini Excavator Parts Manual
 - Interactive Elements Gehl 652 Mini Excavator Parts Manual
8. Staying Engaged with Gehl 652 Mini Excavator Parts Manual
 - Joining Online Reading Communities
 - Participating in Virtual Book Clubs
 - Following Authors and Publishers Gehl 652 Mini Excavator Parts Manual
9. Balancing eBooks and Physical Books Gehl 652 Mini Excavator Parts Manual
 - Benefits of a Digital Library
 - Creating a Diverse Reading Collection Gehl 652 Mini Excavator Parts Manual
10. Overcoming Reading Challenges
 - Dealing with Digital Eye Strain
 - Minimizing Distractions
 - Managing Screen Time
11. Cultivating a Reading Routine Gehl 652 Mini Excavator Parts Manual
 - Setting Reading Goals Gehl 652 Mini Excavator Parts Manual
 - Carving Out Dedicated Reading Time
12. Sourcing Reliable Information of Gehl 652 Mini Excavator Parts Manual
 - Fact-Checking eBook Content of Gehl 652 Mini Excavator Parts Manual
 - Distinguishing Credible Sources
13. Promoting Lifelong Learning
 - Utilizing eBooks for Skill Development
 - Exploring Educational eBooks
14. Embracing eBook Trends
 - Integration of Multimedia Elements

-
- Interactive and Gamified eBooks

Gehl 652 Mini Excavator Parts Manual Introduction

Gehl 652 Mini Excavator Parts Manual Offers over 60,000 free eBooks, including many classics that are in the public domain. Open Library: Provides access to over 1 million free eBooks, including classic literature and contemporary works. Gehl 652 Mini Excavator Parts Manual Offers a vast collection of books, some of which are available for free as PDF downloads, particularly older books in the public domain. Gehl 652 Mini Excavator Parts Manual : This website hosts a vast collection of scientific articles, books, and textbooks. While it operates in a legal gray area due to copyright issues, its a popular resource for finding various publications. Internet Archive for Gehl 652 Mini Excavator Parts Manual : Has an extensive collection of digital content, including books, articles, videos, and more. It has a massive library of free downloadable books. Free-eBooks Gehl 652 Mini Excavator Parts Manual Offers a diverse range of free eBooks across various genres. Gehl 652 Mini Excavator Parts Manual Focuses mainly on educational books, textbooks, and business books. It offers free PDF downloads for educational purposes. Gehl 652 Mini Excavator Parts Manual Provides a large selection of free eBooks in different genres, which are available for download in various formats, including PDF. Finding specific Gehl 652 Mini Excavator Parts Manual, especially related to Gehl 652 Mini Excavator Parts Manual, might be challenging as theyre often artistic creations rather than practical blueprints. However, you can explore the following steps to search for or create your own Online Searches: Look for websites, forums, or blogs dedicated to Gehl 652 Mini Excavator Parts Manual, Sometimes enthusiasts share their designs or concepts in PDF format. Books and Magazines Some Gehl 652 Mini Excavator Parts Manual books or magazines might include. Look for these in online stores or libraries. Remember that while Gehl 652 Mini Excavator Parts Manual, sharing copyrighted material without permission is not legal. Always ensure youre either creating your own or obtaining them from legitimate sources that allow sharing and downloading. Library Check if your local library offers eBook lending services. Many libraries have digital catalogs where you can borrow Gehl 652 Mini Excavator Parts Manual eBooks for free, including popular titles. Online Retailers: Websites like Amazon, Google Books, or Apple Books often sell eBooks. Sometimes, authors or publishers offer promotions or free periods for certain books. Authors Website Occasionally, authors provide excerpts or short stories for free on their websites. While this might not be the Gehl 652 Mini Excavator Parts Manual full book , it can give you a taste of the authors writing style. Subscription Services Platforms like Kindle Unlimited or Scribd offer subscription-based access to a wide range of Gehl 652 Mini Excavator Parts Manual eBooks, including some popular titles.

FAQs About Gehl 652 Mini Excavator Parts Manual Books

1. Where can I buy Gehl 652 Mini Excavator Parts Manual books? Bookstores: Physical bookstores like Barnes & Noble, Waterstones, and independent local stores. Online Retailers: Amazon, Book Depository, and various online bookstores offer a wide range of books in physical and digital formats.
2. What are the different book formats available? Hardcover: Sturdy and durable, usually more expensive. Paperback: Cheaper, lighter, and more portable than hardcovers. E-books: Digital books available for e-readers like Kindle or software like Apple Books, Kindle, and Google Play Books.
3. How do I choose a Gehl 652 Mini Excavator Parts Manual book to read? Genres: Consider the genre you enjoy (fiction, non-fiction, mystery, sci-fi, etc.). Recommendations: Ask friends, join book clubs, or explore online reviews and recommendations. Author: If you like a particular author, you might enjoy more of their work.
4. How do I take care of Gehl 652 Mini Excavator Parts Manual books? Storage: Keep them away from direct sunlight and in a dry environment. Handling: Avoid folding pages, use bookmarks, and handle them with clean hands. Cleaning: Gently dust the covers and pages occasionally.
5. Can I borrow books without buying them? Public Libraries: Local libraries offer a wide range of books for borrowing. Book Swaps: Community book exchanges or online platforms where people exchange books.
6. How can I track my reading progress or manage my book collection? Book Tracking Apps: Goodreads, LibraryThing, and Book Catalogue are popular apps for tracking your reading progress and managing book collections. Spreadsheets: You can create your own spreadsheet to track books read, ratings, and other details.
7. What are Gehl 652 Mini Excavator Parts Manual audiobooks, and where can I find them? Audiobooks: Audio recordings of books, perfect for listening while commuting or multitasking. Platforms: Audible, LibriVox, and Google Play Books offer a wide selection of audiobooks.
8. How do I support authors or the book industry? Buy Books: Purchase books from authors or independent bookstores. Reviews: Leave reviews on platforms like Goodreads or Amazon. Promotion: Share your favorite books on social media or recommend them to friends.
9. Are there book clubs or reading communities I can join? Local Clubs: Check for local book clubs in libraries or community centers. Online Communities: Platforms like Goodreads have virtual book clubs and discussion groups.
10. Can I read Gehl 652 Mini Excavator Parts Manual books for free? Public Domain Books: Many classic books are available for free as they're in the public domain. Free E-books: Some websites offer free e-books legally, like Project Gutenberg or Open Library.

Find Gehl 652 Mini Excavator Parts Manual :

ford ranger manual transmission swap

ford laser b3 manual

ford focus zetec hatchback manual

ford scorio manual 91

ford sabre 212 manual

ford mondeo service intervals diesel

ford manual transmission application guide

ford focus manual 2005

ford mondeo 2 0 lx petrol auto knocking at camshaft

ford mondeo mk2 1997 2000

ford fusion 2015 service manual

ford puma hatchback manual 2001

ford ka 2015 workshop manual

ford fsd 425 manual

ford mondeo 2011 manual

Gehl 652 Mini Excavator Parts Manual :

Instructor's Resource Manual to Accompany Information ... Instructor's Resource Manual to Accompany Information Technology for the Health Professions, 3rd Edition [Lillian Burke, Barbara Weill] on Amazon.com. Information Technology for the Health Professions ... Information Technology for the Health Professions-Instructor's Resource Manual with Test Bank and Power Point Lecture CD-ROM ; Publisher. Pearson Prentice Hall. Health Information Technology (Instructor's Resource Manual) Health Information Technology (Instructor's Resource Manual) - Softcover ; Featured Edition. ISBN 10: ISBN 13: 9781416023166. Publisher: Saunders, 2007 Component 6: Health Management Information Systems Instructors This Instructor Manual is a resource for instructors using this component. ... Resource Center for Health Information Technology under Contract No. Online Store - My ACHE Price: ; ISBN:9781640551916 ; Number of pages:465 ; Edition: 9 ; Year published:2021 ; Print date:2020-08-01T00:00:00. Health Information Management & Technology Library Guide Aug 31, 2023 — Health information technology (health IT) makes it possible for health care providers to better manage patient care through secure use and ... Health Information Technology and Management - TCC OER ... A free course from

Carnegie Mellon University that offers an overview of healthcare, health information technology, and health information management systems. Faculty Resource Manual Shall provide information to the General Faculty regarding activities of the Faculty Senate. ... Director of Information Technology. Of the four (4) faculty, one ... Health Information Technology | Health Sciences The Health Information Technology Associate in Science (A.S.) degree at Valencia College is a two-year program with online courses that prepares you to go ... ACS General Chemistry Practice Test (2023) Oct 26, 2023 — ACS General Chemistry Exam Outline. The ACS General Chemistry Exam contains 70 multiple-choice questions and has a time limit of 110 minutes. ACS Exams | ACS Division of Chemical Education ... The newest exam for general chemistry conceptual for first-term, second-term and full ... If you are preparing to take an ACS final exam, there are resources ... Exam Information National Exams Format ; Part I: Problem Solving. 90 min | 60 multiple-choice questions. Covers broad chemistry topics ; Part II: Problem Solving. 105 min | 8 ... ACS Gen Chem 1 Exam Flashcards Based on notes taken after going through the ACS General Chemistry Examination Official Guide. Intended for use on the first-semester exam. What Is The ACS Chemistry Exam (College Final)? In short, the ACS Chemistry Exams are 2 hour standardized tests that have a lot of mystery surrounding them (See link at bottom for more on the format). General Chemistry ACS Final Exam Flashcards Study with Quizlet and memorize flashcards containing terms like Protons, Neutrons, Electrons and more. Reviewing for ACS Final Exam 1st Semester - 1061.pdf The CHEM 1061 Final Exam will be a one-term standardized exam written by the ACS. The goal is to see how well students know and understand chemistry, ... Taking the ACS Standardized Chemistry Final in General ... The format of the ACS Exam (at least in Gen Chem) is 2 hour time limit, 70 multiple choice questions, on a scantron. You are allowed a non-programmable ... ACS Practice Test 1 Which is a proper description of chemical equilibrium? (A)The frequencies of reactant and of product collisions are identical. (B)The concentrations of products ... The Red Hot Chili Peppers: An Oral/Visual History official Red Hot Chili Peppers story—an oral and visual autobiography from one of the world's greatest rock groups. ... With hundreds of photographs, poster ... An Oral/Visual History by the Red Hot Chili Peppers An Oral/Visual History by the Red Hot Chili Peppers is a book written by the Red Hot Chili Peppers along with Brendan Mullen. It was released as a hardcover ... The Red Hot Chili Peppers: An Oral/Visual History official Red Hot Chili Peppers story—an oral and visual autobiography from one of the world's greatest rock groups. ... With hundreds of photographs, poster ... Oral Visual History: The Red Hot Chili Peppers, Brendan ... This book is laid out beautifully and the pictures are clear and each of them tells a story, of intense passionate love of music, life, dedication, friendship, ... An Oral/Visual History by The Red Hot Chili Peppers official Red Hot Chili Peppers story—an oral and visual autobiography from one of the world's greatest rock groups. Together, Anthony Kiedis, John Frusciante, ... The Red Hot Chili Peppers: An Oral/Visual History - Softcover This is the book fans have been waiting for since Mother's Milk and Blood Sugar Sex Magik first hit the charts: The first (and only!) official Red Hot Chili ... 'The Red Hot Chili Peppers: An Oral/Visual History by ... Jun 1, 2011 — All the

honesty, the pretense, the courage and one-of-a-kindness, the unbridled joy, the melancholy, and the shields we put up to shelter our ... The Red Hot Chili Peppers) official Red Hot Chili Peppers story—an oral and visual autobiography from ... An Oral/Visual History. By The Red Hot Chili Peppers,. On Sale: October 19 ... An Oral/Visual History by The Red Hot Chili Peppers (2010 ... official Red Hot Chili Peppers story-an oral and visual autobiography from one of the world's greatest rock groups. ... With hundreds of photographs, poster ... An Oral Visual History By The Red Hot Chili Peppers Harper Collins, 2010. Book. Fine. Hardcover. Signed by Author(s). 1st Edition. 4to - over 9¾ - 12" tall. Gorgeous As New Copy. First Edition.\$39.99 On Flap.