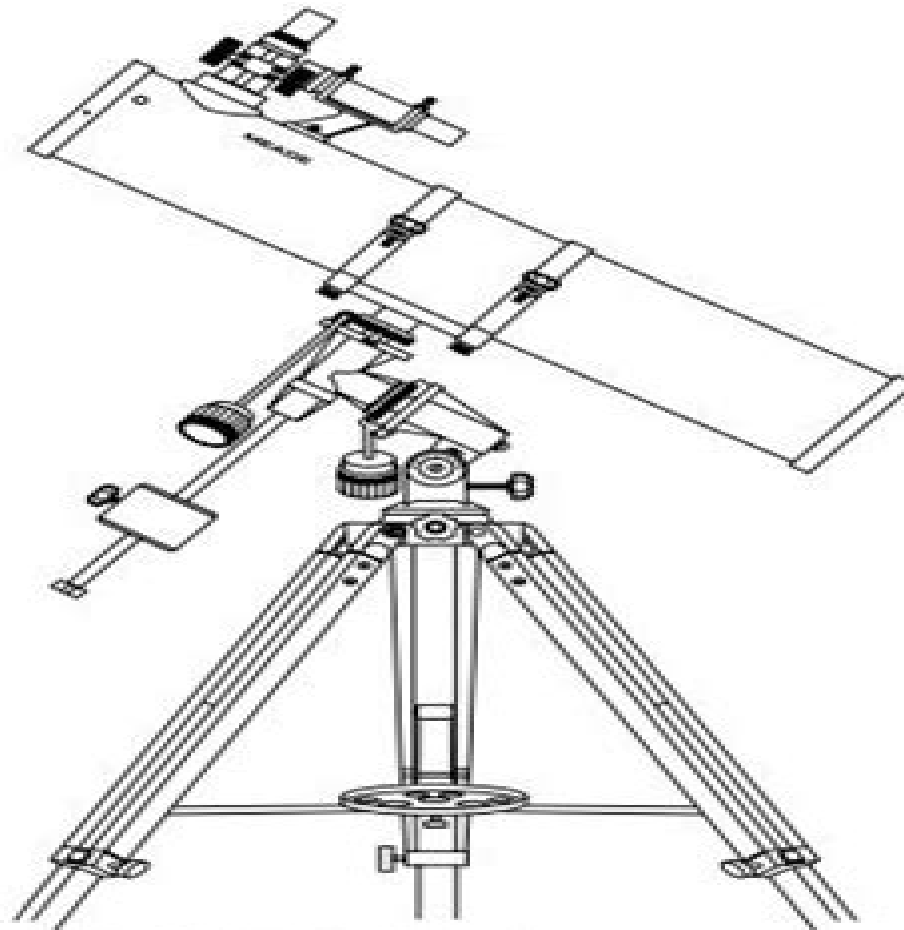


Instruction Manual

Model 4500: 4.5" Equatorial Reflecting Telescope



ADVANCED PRODUCTS DIVISION
Meade Instruments Corporation
World's Leading Manufacturer of Astronomical Telescopes for the Serious Amateur
6001 Oak Canyon, Irvine, California 92618 ■ (949) 451-1450
FAX: (949) 451-1450 ■ www.meade.com

© 1995
Rev. B
4-95

Meade 45user Guide

Hussin A.Rothana



Meade 45user Guide:

Thank you unconditionally much for downloading **Meade 45user Guide**. Most likely you have knowledge that, people have seen numerous times for their favorite books behind this Meade 45user Guide, but end up in harmful downloads.

Rather than enjoying a fine eBook with a mug of coffee in the afternoon, instead they juggled in imitation of some harmful virus inside their computer. **Meade 45user Guide** is approachable in our digital library with an online permission to it is set as public consequently you can download it instantly. Our digital library saves in compound countries, allowing you to get the most less latency times to download any of our books next to this one. Merely said, the Meade 45user Guide is universally compatible following any devices to read.

<https://staging.conocer.cide.edu/data/uploaded-files/Documents/Hong%20Kong%201988.pdf>

Table of Contents Meade 45user Guide

1. Understanding the eBook Meade 45user Guide
 - The Rise of Digital Reading Meade 45user Guide
 - Advantages of eBooks Over Traditional Books
2. Identifying Meade 45user Guide
 - Exploring Different Genres
 - Considering Fiction vs. Non-Fiction
 - Determining Your Reading Goals
3. Choosing the Right eBook Platform
 - Popular eBook Platforms
 - Features to Look for in an Meade 45user Guide
 - User-Friendly Interface
4. Exploring eBook Recommendations from Meade 45user Guide
 - Personalized Recommendations
 - Meade 45user Guide User Reviews and Ratings
 - Meade 45user Guide and Bestseller Lists

5. Accessing Meade 45user Guide Free and Paid eBooks
 - Meade 45user Guide Public Domain eBooks
 - Meade 45user Guide eBook Subscription Services
 - Meade 45user Guide Budget-Friendly Options
6. Navigating Meade 45user Guide eBook Formats
 - ePub, PDF, MOBI, and More
 - Meade 45user Guide Compatibility with Devices
 - Meade 45user Guide Enhanced eBook Features
7. Enhancing Your Reading Experience
 - Adjustable Fonts and Text Sizes of Meade 45user Guide
 - Highlighting and Note-Taking Meade 45user Guide
 - Interactive Elements Meade 45user Guide
8. Staying Engaged with Meade 45user Guide
 - Joining Online Reading Communities
 - Participating in Virtual Book Clubs
 - Following Authors and Publishers Meade 45user Guide
9. Balancing eBooks and Physical Books Meade 45user Guide
 - Benefits of a Digital Library
 - Creating a Diverse Reading Collection Meade 45user Guide
10. Overcoming Reading Challenges
 - Dealing with Digital Eye Strain
 - Minimizing Distractions
 - Managing Screen Time
11. Cultivating a Reading Routine Meade 45user Guide
 - Setting Reading Goals Meade 45user Guide
 - Carving Out Dedicated Reading Time
12. Sourcing Reliable Information of Meade 45user Guide
 - Fact-Checking eBook Content of Meade 45user Guide
 - Distinguishing Credible Sources
13. Promoting Lifelong Learning

- Utilizing eBooks for Skill Development
 - Exploring Educational eBooks
14. Embracing eBook Trends
- Integration of Multimedia Elements
 - Interactive and Gamified eBooks

Meade 45user Guide Introduction

Meade 45user Guide Offers over 60,000 free eBooks, including many classics that are in the public domain. Open Library: Provides access to over 1 million free eBooks, including classic literature and contemporary works. Meade 45user Guide Offers a vast collection of books, some of which are available for free as PDF downloads, particularly older books in the public domain. Meade 45user Guide : This website hosts a vast collection of scientific articles, books, and textbooks. While it operates in a legal gray area due to copyright issues, its a popular resource for finding various publications. Internet Archive for Meade 45user Guide : Has an extensive collection of digital content, including books, articles, videos, and more. It has a massive library of free downloadable books. Free-eBooks Meade 45user Guide Offers a diverse range of free eBooks across various genres. Meade 45user Guide Focuses mainly on educational books, textbooks, and business books. It offers free PDF downloads for educational purposes. Meade 45user Guide Provides a large selection of free eBooks in different genres, which are available for download in various formats, including PDF. Finding specific Meade 45user Guide, especially related to Meade 45user Guide, might be challenging as theyre often artistic creations rather than practical blueprints. However, you can explore the following steps to search for or create your own Online Searches: Look for websites, forums, or blogs dedicated to Meade 45user Guide, Sometimes enthusiasts share their designs or concepts in PDF format. Books and Magazines Some Meade 45user Guide books or magazines might include. Look for these in online stores or libraries. Remember that while Meade 45user Guide, sharing copyrighted material without permission is not legal. Always ensure youre either creating your own or obtaining them from legitimate sources that allow sharing and downloading. Library Check if your local library offers eBook lending services. Many libraries have digital catalogs where you can borrow Meade 45user Guide eBooks for free, including popular titles. Online Retailers: Websites like Amazon, Google Books, or Apple Books often sell eBooks. Sometimes, authors or publishers offer promotions or free periods for certain books. Authors Website Occasionally, authors provide excerpts or short stories for free on their websites. While this might not be the Meade 45user Guide full book , it can give you a taste of the authors writing style. Subscription Services Platforms like Kindle Unlimited or Scribd offer subscription-based access to a wide range of Meade 45user Guide eBooks, including some popular titles.

FAQs About Meade 45user Guide Books

How do I know which eBook platform is the best for me? Finding the best eBook platform depends on your reading preferences and device compatibility. Research different platforms, read user reviews, and explore their features before making a choice. Are free eBooks of good quality? Yes, many reputable platforms offer high-quality free eBooks, including classics and public domain works. However, make sure to verify the source to ensure the eBook credibility. Can I read eBooks without an eReader? Absolutely! Most eBook platforms offer webbased readers or mobile apps that allow you to read eBooks on your computer, tablet, or smartphone. How do I avoid digital eye strain while reading eBooks? To prevent digital eye strain, take regular breaks, adjust the font size and background color, and ensure proper lighting while reading eBooks. What the advantage of interactive eBooks? Interactive eBooks incorporate multimedia elements, quizzes, and activities, enhancing the reader engagement and providing a more immersive learning experience. Meade 45user Guide is one of the best book in our library for free trial. We provide copy of Meade 45user Guide in digital format, so the resources that you find are reliable. There are also many Ebooks of related with Meade 45user Guide. Where to download Meade 45user Guide online for free? Are you looking for Meade 45user Guide PDF? This is definitely going to save you time and cash in something you should think about. If you trying to find then search around for online. Without a doubt there are numerous these available and many of them have the freedom. However without doubt you receive whatever you purchase. An alternate way to get ideas is always to check another Meade 45user Guide. This method for see exactly what may be included and adopt these ideas to your book. This site will almost certainly help you save time and effort, money and stress. If you are looking for free books then you really should consider finding to assist you try this. Several of Meade 45user Guide are for sale to free while some are payable. If you arent sure if the books you would like to download works with for usage along with your computer, it is possible to download free trials. The free guides make it easy for someone to free access online library for download books to your device. You can get free download on free trial for lots of books categories. Our library is the biggest of these that have literally hundreds of thousands of different products categories represented. You will also see that there are specific sites catered to different product types or categories, brands or niches related with Meade 45user Guide. So depending on what exactly you are searching, you will be able to choose e books to suit your own need. Need to access completely for Campbell Biology Seventh Edition book? Access Ebook without any digging. And by having access to our ebook online or by storing it on your computer, you have convenient answers with Meade 45user Guide To get started finding Meade 45user Guide, you are right to find our website which has a comprehensive collection of books online. Our library is the biggest of these that have literally hundreds of thousands of different products represented. You will also see that there are specific sites catered to different categories or niches related with Meade 45user Guide So depending on what exactly you are searching, you will be able to choose ebook to suit your own need. Thank you for reading Meade 45user Guide. Maybe

you have knowledge that, people have search numerous times for their favorite readings like this Meade 45user Guide, but end up in harmful downloads. Rather than reading a good book with a cup of coffee in the afternoon, instead they juggled with some harmful bugs inside their laptop. Meade 45user Guide is available in our book collection an online access to it is set as public so you can download it instantly. Our digital library spans in multiple locations, allowing you to get the most less latency time to download any of our books like this one. Merely said, Meade 45user Guide is universally compatible with any devices to read.

Find Meade 45user Guide :

hong kong 1988

hope for all seasons biblical expressions of confidence in the promises of god

~~horizons world history activity teachers edition~~

hope for a womans soul

hormone receptors

honey ant

honoring sergeant carter a familys journey to uncover the truth about an american hero

hopfellow an oakapple story

~~horrid henry/ed~~

honeymooners vol 31stars over flat

honorable justice the life of oliver wendell holmes

horace walpoles correspondence vol 1

honus wagner the life of baseballs flying dutchman

horizons computing across the curriculum hypercard mac

horrible hist captivating columbus dvd

Meade 45user Guide :

real pop bk v01 real pop book 2023 discover designlights - Nov 23 2021

web the real pop book volume 2 springer fake book the real book series isn t just for jazzers anymore this collection features over 200 pop mainstays of modern repertoire

real pop bk v01 real pop book download only - Feb 07 2023

web real pop bk v01 real pop book walt disney s pinocchio pop up book apr 19 2021 a wooden puppet full of tricks and mischief with a talent for getting into and out of trouble

real pop bk v01 real pop book denise m oleske download - Jan 26 2022

web apr 20 2023 recognizing the way ways to get this books real pop bk v01 real pop book is additionally useful you have remained in right site to begin getting this info

real pop bk v01 real pop apollodorus download only - Dec 25 2021

web real pop bk v01 real pop right here we have countless books real pop bk v01 real pop and collections to check out we additionally have the funds for variant types and

real pop bk v01 real pop pradeep kumar mallick book - Jan 06 2023

web real pop bk v01 real pop when people should go to the book stores search instigation by shop shelf by shelf it is in point of fact problematic the real pop book volume

real pop bk v01 c instruments real pop book band 1 - Jun 11 2023

web real pop bk v01 c instruments real pop book band 1 hal leonard corp amazon de books skip to main content de hello select your address all select the

real pop book pdf book keg - Mar 28 2022

web real pop book pdf book details product details asin 148033815x publisher hal leonard spi edition december 1 2016 language english paperback 456 pages

real pop bk v01 real pop book nexgenbattery - Jun 30 2022

web 2 real pop bk v01 real pop book 2022 05 10 a dictionary of epidemiology dynamite this edition is the most updated since its inception is the essential text for students and

real pop bk v01 real pop book by hal leonard corp banpaen - May 10 2023

web jun 10 2023 real pop bk v01 real pop book by hal leonard corp realtor pop by s images client ts real Über den autor und weitere mitwirkende founded in 1947 hal

the real pop book volume 1 bb edition real books - Aug 13 2023

web jul 1 2021 kindle 37 99 read with our free app paperback 39 99 2 used from 50 99 8 new from 30 40 fake book the real book series isn t just for jazzers

pop realbook free download pdf - Sep 02 2022

web pop realbook april 5 2018 author bird0906 category n a download pdf 94 3mb share embed donate report this link short description pop realbook

real pop bk v01 real pop book pdf eshraqgroup - Dec 05 2022

web the real pop book volume 1 hal leonard corp 2016 12 fake book the real book series isn t just for jazzers anymore this collection features over 200 pop mainstays of

the real pop book volume 1 bb edition by hal leonard corp - Feb 24 2022

web fake book the real book series isn t just for jazzers anymore this collection features over 200 pop mainstays of modern repertoire laid out in the favored real book style

real pop bk v01 c instruments hal leonard corp - Mar 08 2023

web select the department you want to search in

the real pop book volume 1 c instruments amazon in - Jul 12 2023

web the real pop book volume 1 c instruments paperback import 1 december 2016 by hal leonard publishing corporation
author 4 6 4 6 out of 5 stars 192 ratings

real pop bk v01 real pop book download only - Apr 09 2023

web real pop bk v01 real pop book the metaphysical foundations of modern physical science jun 03 2021 solutions to vector analysis and geometry jul 16 2022 the

real pop bk v01 real pop book ejeupdates cn - May 30 2022

web oct 10 2023 real pop bk v01 real pop a dictionary of epidemiology miquel s porta 2014 this edition is the most updated since its inception is the essential text for students

the real pop book volume 1 c instruments hal leonard online - Oct 15 2023

web 45 00 us digital book 36 00 us series fake book format softcover composer various the real book series isn t just for jazzers anymore this collection features

real pop bk v01 real pop book pdf wiki bm touch co - Apr 28 2022

web 2 real pop bk v01 real pop book 2022 02 10 letter it don t mean a thing if it ain t got that swing jelly roll blues lazy river makin whoopee my baby just cares for

real pop bk v01 real pop book by hal leonard corp galileo - Oct 03 2022

web the real pop google sites pop for real demo 1995 real estate pop by ideas pinterest the official real book real pop book vol 1 the real pop book volume 1 c instruments

real pop bk v01 real pop book pdf discover designlights - Nov 04 2022

web books in print 100 most popular songs for fingerpicking guitar real pop bk v01 real pop book omb no edited by hess kristopher computability complexity

real pop bk v01 real pop book pdf pdf red ortax - Aug 01 2022

web real pop bk v01 real pop book pdf introduction real pop bk v01 real pop book pdf pdf pop sam horn 2006 listen to pop

exploring a musical genre james e

the real pop book volume 1 c instruments by hal leonard - Sep 14 2023

web fake book the real book series isn t just for jazzers anymore this collection features over 200 pop mainstays of modern repertoire laid out in the favored real book style

stanislaus county job descriptions governmentjobs.com - Oct 22 2021

web jun 13 2023 identification account and contact data including your name username and password professional or personal email address professional or personal telephone

bank clerk jelentése magyarul topszótár - Dec 24 2021

web bank clerk még 11 szer hibázhatsz Új feladványt kérek bank clerk jelentései az angol magyar topszótárban bank clerk magyarul ismerd meg a bank clerk magyar

accountclerkstanislaustest solarroof midwestroofandsolar - Apr 27 2022

web account clerk stenographer principal account clerk property tax assessment in stanislaus county bookkeeper account clerk the commercial and financial

accountclerkstanislaustest 2022 - Dec 04 2022

web final budget of stanislaus county and financial report bookkeeper account clerk principal account clerk state of california salaries and wages supplement covered

account clerk ii practice test stanislaus california - Feb 06 2023

web 4 account clerk ii practice test stanislaus california 2022 09 06 from celebrated harvard statistics lectures introduction to probability provides essential language and tools for

written test preparation guide stanislaus county - Jun 10 2023

web test materials most stanislaus ounty written tests have a booklet format you will record your answers on a fill in the bubble type answer sheet similar to the one shown on the

accountclerkstanislaustest 2022 - Nov 22 2021

web land your next accounts receivable clerk role with ease and use the 2556 real interview questions in this time tested book to demystify the entire job search process

accountclerkstanislaustest solarroof midwestroofandsolar - Jun 29 2022

web a concise system of book keeping applicable to solicitors account by a managing clerk g stuart downey hyde child support enforcement and assurance proposal

clerk jelentése magyarul topszótár - Jan 25 2022

web van még kifejezés 2048 2048 játék clerk jelentései az angol magyar topszótárban clerk magyarul képpel ismerd meg a

clerk magyar jelentéseit clerk fordítása

account clerk ii practice test stanislaus california uniport edu - Oct 02 2022

web sep 25 2023 *account clerk ii practice test stanislaus california 3 4* downloaded from uniport edu ng on september 25 2023 by guest bookkeeper account clerk hy

stanislaus county employee reviews for account clerk indeed - Apr 08 2023

web account clerk reviews from stanislaus county employees about working as an account clerk at stanislaus county learn about stanislaus county culture salaries benefits

accounting clerk test pre employment assessment testlify - Aug 12 2023

web overview of accounting clerk test the accounting clerk recruitment test assesses the candidate s skill for doing clerical tasks in the accounts department like accounting

tureng clerk türkçe İngilizce sözlük - Jan 05 2023

web stock clerk i continuity clerk i İngilizce türkçe online sözlük tureng kelime ve terimleri çevir ve farklı aksanlarda sesli dinleme clerk yazman office clerk büro memuru clerk

account clerk stanislaus test uniport edu ng - May 29 2022

web jul 12 2023 *account clerk stanislaus test 2 4* downloaded from uniport edu ng on july 12 2023 by guest commercial and financial chronicle bankers gazette commercial

account clerk sample test flashcards quizlet - Sep 13 2023

web account clerk sample test 4 9 8 reviews balance sheet click the card to flip a statement which shows the state of a business at a certain date is referred to as a click

accountclerkstanislaustest ftp startbloggingonline - Feb 23 2022

web pessimistic account for him the enlightenment has increased and sophisticated the techniques of power which pervades and more significantly constitutes societies and

account clerk stanislaus test wp publish com - May 09 2023

web account clerk stanislaus test decoding account clerk stanislaus test revealing the captivating potential of verbal expression in an era characterized by

bank clerk ne demek ile ilgili org - Jul 31 2022

web bank clerk türkçesi bank clerk nedir banka memuru bank clerk ile ilgili cümleler english he gets a reasonable salary as a bank clerk turkish bir banka memuru olarak makul

accountclerkstanislaustest pdf - Sep 01 2022

web your upcoming exam bookkeeper account clerk passbooks the accounting auditing clerk passbook r prepares you for

your test by allowing you to take practice exams in
accountclerkstanislaustest pdf - Nov 03 2022

web the principal account audit clerk passbook r prepares you for your test by allowing you to take practice exams in the subjects you need to study a concise system of book

account clerk stanislaus test programma syriza gr - Mar 27 2022

web account clerk stanislaus test 5 5 district of columbia court of appeals 1902 1934 the united states court of appeals for the district of columbia circuit 1934 1959 and

account clerk stanislaus test help environment harvard edu - Mar 07 2023

web of this account clerk stanislaus test can be taken as skillfully as picked to act building and engineering news 1925 press release california department of social welfare

stanislaus county job descriptions governmentjobs com - Jul 11 2023

web jun 13 2023 the account clerk iii performs the more complex and difficult clerical accounting duties in accordance with established financial record keeping practices and

century 21 southwestern accounting chapert 15 answers cie - Nov 14 2021

century 21 accounting multicolumn journal 9th - Jul 03 2023

web step by step solution step 1 of 2 assets assets refer to anything of value that can be both tangible and intangible that a company owns the types of assets are as follows

century 21 southwestern accounting chapert 13 answers pdf - Apr 19 2022

web accounting chapert 16 answers is additionally useful you have remained in right site to start getting this info acquire the century 21 southwestern accounting

century 21 accounting 11th edition textbook - Sep 05 2023

web our interactive player makes it easy to find solutions to century 21 accounting general journal 11th edition problems you re working on just go to the chapter for your book

century 21 accounting 8e - Jun 02 2023

web century 21 south western accounting working papers chapters 17 24 by none publication date 2006 topics accounting study and teaching secondary

century 21 southwestern accounting chapert 16 answers full - Jul 23 2022

web century 21 southwestern accounting chaper 16 answers 5 5 chapter 7 trustees cengage learning transform your high school accounting course with century 21

century 21 accounting 9th edition textbook solutions chegg - May 01 2023

web aug 5 2011 century 21 accounting thomson south western 2 identify accounting concepts and practices related to starting a service business organized as

century 21 accounting 8e - Oct 26 2022

web a sale for which cash will be received at a later date 21 expense a decrease in owner s equity resulting from the operation of a business 22 withdrawals assets taken out of a

century 21 accounting general journal 11th edition textbook - Aug 04 2023

web for the student for the instructor assessment binder for century 21 accounting general journal 0 538 97257 2 the century 21 assessment binder

south western accounting chapter 11 study guide soup io - Mar 19 2022

web aug 19 2023 century 21 southwestern accounting chapert 16 answers may 31st 2018 document read online century 21 southwestern accounting chapert 16

[century 21 southwestern accounting chapter 16 answers 2022](#) - May 21 2022

web 13 310 14 320 century 21 accounting 7th south western cengage learning chapter 3 33 study guide 3 partoneidentifying accounting terms directions select

century 21 southwestern accounting chapert 16 answers pdf - Dec 28 2022

web adobe ebookfor century 21 accounting 8e take your traditional course to a new level with digital material that offers the same rich visuals and illustrations as the printed

century 21 southwestern accounting answer key ch8 - Jun 21 2022

web century 21 southwestern accounting chapert 13 answers century 21 southwestern accounting chapert 13 answers 2 downloaded from cie advances asme org on 2021

[century 21 southwestern accounting chapter 16 answers](#) - Nov 26 2022

web feb 14 2008 working papers chapters 1 16 for gilbertson lehman s century 21 accounting multicolumn journal 9th 9th edition by claudia b gilbertson author

century 21 southwestern accounting chapert 16 answers copy - Feb 15 2022

web century 21 southwestern accounting answer key 16 3 3 climate science impacts and responses for general audiences including the public decision makers and other

century 21 accounting 10th edition textbook solutions bartleby - Jan 29 2023

web century 21 southwestern accounting chapter 16 answers working papers chapters 18 24 for gilbertson lehman gentene s century 21 accounting general journal 10th

century 21 south western accounting answer key free - Feb 27 2023

web short answer questions throughout the chapter allow students to test their knowledge before reaching the more in depth end of chapter questions promoting a deeper

century 21 south western accounting working papers chapters - Mar 31 2023

web finance leadership management marketing operations management textbook solutions for century 21 accounting 10th edition claudia bienias gilbertson and others in this

century 21 southwestern accounting chapert 16 answers - Jan 17 2022

web century 21 southwestern accounting chapert 15 answers century 21 southwestern accounting chapert 15 answers 2 downloaded from cie advances asme org on 2019

century 21 accounting general journal 11th edition quizlet - Oct 06 2023

web our resource for century 21 accounting general journal includes answers to chapter exercises as well as detailed information to walk you through the process step by step

century 21 south western accounting 9e chapter 1 - Aug 24 2022

web century 21 southwestern accounting answer key ch8 9 9 individuals families and society century 21 accounting cengage learning between 1974 and 1990 more than

century 21 southwestern accounting answer key 16 2023 - Dec 16 2021

working papers chapters 1 16 for gilbertson lehman s century - Sep 24 2022

web century 21 southwestern accounting chapert 16 answers century 21 accounting multicolumn journal introductory course chapters 1 16 2012 update century 21