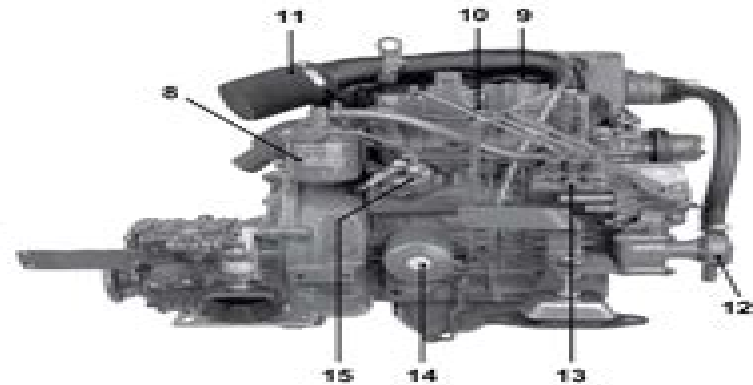
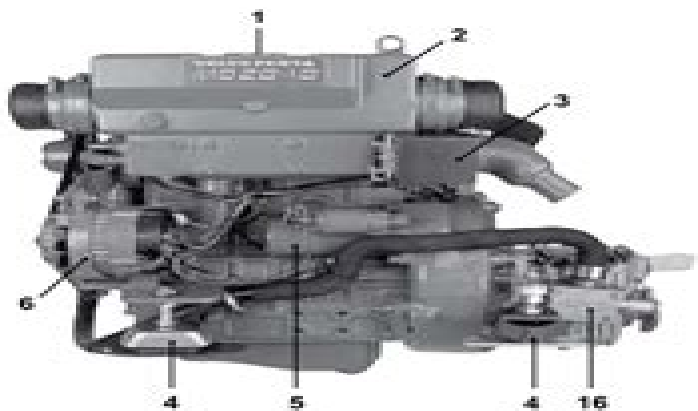


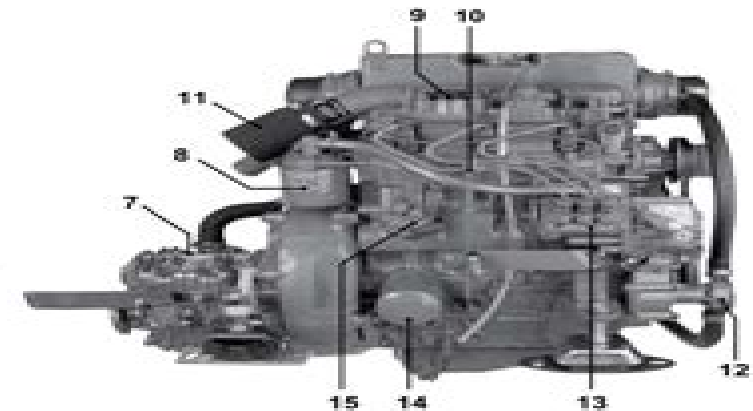
MD2030 D with reverse gear MS10A



MD2030 D with reverse gear MS10A



MD2040 D with reverse gear MS15A



MD2040 D with reverse gear MS15A

- 1. Coolant filler cap
- 2. Expansion tank
- 3. Relay box with fuses
- 4. Flexible mounting
- 5. Starter motor
- 6. AC generator
- 7. Dipstick, reverse gear/S-drive
- 8. Fine fuel filter

- 9. Oil filler cap, engine
- 10. Dipstick, engine
- 11. Air cleaner (ACL)air intake
- 12. Seawater pump
- 13. Injection pump
- 14. Lubricating oil filter
- 15. Fuel pump
- 16. Oil cooler, reverse gear

- 17. Folding propeller
- 18. Cooling water intake, S-drive
- 19. Sea cool, S-drive
- 20. Oil drain plug, S-drive
- 21. Sacrificial anode

Md2010 Engine Installation Guide

Ying Liu



Md2010 Engine Installation Guide:

Reviewing **Md2010 Engine Installation Guide**: Unlocking the Spellbinding Force of Linguistics

In a fast-paced world fueled by information and interconnectivity, the spellbinding force of linguistics has acquired newfound prominence. Its capacity to evoke emotions, stimulate contemplation, and stimulate metamorphosis is truly astonishing. Within the pages of "**Md2010 Engine Installation Guide**," an enthralling opus penned by a highly acclaimed wordsmith, readers set about an immersive expedition to unravel the intricate significance of language and its indelible imprint on our lives. Throughout this assessment, we shall delve into the book's central motifs, appraise its distinctive narrative style, and gauge its overarching influence on the minds of its readers.

<https://staging.conocer.cide.edu/public/scholarship/Documents/Fundamentals%20Of%20Experimental%20Design%20Pogil.pdf>

Table of Contents Md2010 Engine Installation Guide

1. Understanding the eBook Md2010 Engine Installation Guide
 - The Rise of Digital Reading Md2010 Engine Installation Guide
 - Advantages of eBooks Over Traditional Books
2. Identifying Md2010 Engine Installation Guide
 - Exploring Different Genres
 - Considering Fiction vs. Non-Fiction
 - Determining Your Reading Goals
3. Choosing the Right eBook Platform
 - Popular eBook Platforms
 - Features to Look for in an Md2010 Engine Installation Guide
 - User-Friendly Interface
4. Exploring eBook Recommendations from Md2010 Engine Installation Guide
 - Personalized Recommendations
 - Md2010 Engine Installation Guide User Reviews and Ratings

- Md2010 Engine Installation Guide and Bestseller Lists
- 5. Accessing Md2010 Engine Installation Guide Free and Paid eBooks
 - Md2010 Engine Installation Guide Public Domain eBooks
 - Md2010 Engine Installation Guide eBook Subscription Services
 - Md2010 Engine Installation Guide Budget-Friendly Options
- 6. Navigating Md2010 Engine Installation Guide eBook Formats
 - ePub, PDF, MOBI, and More
 - Md2010 Engine Installation Guide Compatibility with Devices
 - Md2010 Engine Installation Guide Enhanced eBook Features
- 7. Enhancing Your Reading Experience
 - Adjustable Fonts and Text Sizes of Md2010 Engine Installation Guide
 - Highlighting and Note-Taking Md2010 Engine Installation Guide
 - Interactive Elements Md2010 Engine Installation Guide
- 8. Staying Engaged with Md2010 Engine Installation Guide
 - Joining Online Reading Communities
 - Participating in Virtual Book Clubs
 - Following Authors and Publishers Md2010 Engine Installation Guide
- 9. Balancing eBooks and Physical Books Md2010 Engine Installation Guide
 - Benefits of a Digital Library
 - Creating a Diverse Reading Collection Md2010 Engine Installation Guide
- 10. Overcoming Reading Challenges
 - Dealing with Digital Eye Strain
 - Minimizing Distractions
 - Managing Screen Time
- 11. Cultivating a Reading Routine Md2010 Engine Installation Guide
 - Setting Reading Goals Md2010 Engine Installation Guide
 - Carving Out Dedicated Reading Time
- 12. Sourcing Reliable Information of Md2010 Engine Installation Guide
 - Fact-Checking eBook Content of Md2010 Engine Installation Guide
 - Distinguishing Credible Sources

13. Promoting Lifelong Learning
 - Utilizing eBooks for Skill Development
 - Exploring Educational eBooks
14. Embracing eBook Trends
 - Integration of Multimedia Elements
 - Interactive and Gamified eBooks

Md2010 Engine Installation Guide Introduction

In this digital age, the convenience of accessing information at our fingertips has become a necessity. Whether its research papers, eBooks, or user manuals, PDF files have become the preferred format for sharing and reading documents. However, the cost associated with purchasing PDF files can sometimes be a barrier for many individuals and organizations. Thankfully, there are numerous websites and platforms that allow users to download free PDF files legally. In this article, we will explore some of the best platforms to download free PDFs. One of the most popular platforms to download free PDF files is Project Gutenberg. This online library offers over 60,000 free eBooks that are in the public domain. From classic literature to historical documents, Project Gutenberg provides a wide range of PDF files that can be downloaded and enjoyed on various devices. The website is user-friendly and allows users to search for specific titles or browse through different categories. Another reliable platform for downloading Md2010 Engine Installation Guide free PDF files is Open Library. With its vast collection of over 1 million eBooks, Open Library has something for every reader. The website offers a seamless experience by providing options to borrow or download PDF files. Users simply need to create a free account to access this treasure trove of knowledge. Open Library also allows users to contribute by uploading and sharing their own PDF files, making it a collaborative platform for book enthusiasts. For those interested in academic resources, there are websites dedicated to providing free PDFs of research papers and scientific articles. One such website is Academia.edu, which allows researchers and scholars to share their work with a global audience. Users can download PDF files of research papers, theses, and dissertations covering a wide range of subjects. Academia.edu also provides a platform for discussions and networking within the academic community. When it comes to downloading Md2010 Engine Installation Guide free PDF files of magazines, brochures, and catalogs, Issuu is a popular choice. This digital publishing platform hosts a vast collection of publications from around the world. Users can search for specific titles or explore various categories and genres. Issuu offers a seamless reading experience with its user-friendly interface and allows users to download PDF files for offline reading. Apart from dedicated platforms, search engines also play a crucial role in finding free PDF files. Google, for instance, has an advanced search feature that allows users to filter results by file type. By specifying the file type as "PDF," users can find websites that

offer free PDF downloads on a specific topic. While downloading Md2010 Engine Installation Guide free PDF files is convenient, its important to note that copyright laws must be respected. Always ensure that the PDF files you download are legally available for free. Many authors and publishers voluntarily provide free PDF versions of their work, but its essential to be cautious and verify the authenticity of the source before downloading Md2010 Engine Installation Guide. In conclusion, the internet offers numerous platforms and websites that allow users to download free PDF files legally. Whether its classic literature, research papers, or magazines, there is something for everyone. The platforms mentioned in this article, such as Project Gutenberg, Open Library, Academia.edu, and Issuu, provide access to a vast collection of PDF files. However, users should always be cautious and verify the legality of the source before downloading Md2010 Engine Installation Guide any PDF files. With these platforms, the world of PDF downloads is just a click away.

FAQs About Md2010 Engine Installation Guide Books

How do I know which eBook platform is the best for me? Finding the best eBook platform depends on your reading preferences and device compatibility. Research different platforms, read user reviews, and explore their features before making a choice. Are free eBooks of good quality? Yes, many reputable platforms offer high-quality free eBooks, including classics and public domain works. However, make sure to verify the source to ensure the eBook credibility. Can I read eBooks without an eReader? Absolutely! Most eBook platforms offer web-based readers or mobile apps that allow you to read eBooks on your computer, tablet, or smartphone. How do I avoid digital eye strain while reading eBooks? To prevent digital eye strain, take regular breaks, adjust the font size and background color, and ensure proper lighting while reading eBooks. What the advantage of interactive eBooks? Interactive eBooks incorporate multimedia elements, quizzes, and activities, enhancing the reader engagement and providing a more immersive learning experience. Md2010 Engine Installation Guide is one of the best book in our library for free trial. We provide copy of Md2010 Engine Installation Guide in digital format, so the resources that you find are reliable. There are also many Ebooks of related with Md2010 Engine Installation Guide. Where to download Md2010 Engine Installation Guide online for free? Are you looking for Md2010 Engine Installation Guide PDF? This is definitely going to save you time and cash in something you should think about.

Find Md2010 Engine Installation Guide :

[fundamentals of experimental design pogil](#)

[fundamentals of respiratory care test bank](#)

[fundamentals chemical reaction engineering solution manual](#)

[fundamentals of acoustics fourth edition solution manual](#)

fundations student notebook second edition

[fundamental accounting principles working papers 21st](#)

[funai pb1 m200 manual](#)

[fundamentals of nursing study guide taylors 7th](#)

fundamentals of logic design 7th edition

[fundamentals of communication systems proakis solutions manual](#)

[fungal pharmacy the complete guide](#)

funny how to speech ideas

fundamental ideas of analysis reed solutions

[further adventures of the Opony Opony chronicles book english edition](#)

[fundamentals of physics extended 10th edition](#)

Md2010 Engine Installation Guide :

take that adolf the fighting comic books of the second - Aug 08 2022

web mar 31 2017 the fighting comic books of the second world war fantagraphics read now the book take that adolf is two things first it s a history book about

take that adolf the fighting comic book by will eisner - Jul 07 2022

web take that adolf is an oversized compilation of more than 500 stunningly restored comics covers published during world war ii featuring the world s greatest super villain

[take that adolf the fighting comic books of the second](#) - Jan 13 2023

web the fighting comic books of the second world war book is in new condition take that adolf the fighting comic books of the second world war by fertig mark

take that adolf the fighting comic books of the second - Aug 20 2023

web mar 22 2017 between 1941 and 1945 hitler was pummeled on comic book covers by everyone from captain america to wonder woman take that adolf is an oversized

[analysis trump reminds us history also repeats when people](#) - Nov 30 2021

[take that adolf the fighting comic books of the second](#) - May 17 2023

web from superman and daredevil to propaganda and racism take that adolf is a fascinating look at how legendary creators such as joe simon jack kirby alex schomburg will

take that adolf the fighting comic books of the second - Jun 06 2022

web find helpful customer reviews and review ratings for take that adolf the fighting comic books of the second world war at amazon com read honest and unbiased

amazon com customer reviews take that adolf the fighting - Apr 04 2022

web take that adolf the fighting comic books of the s fight comics 1 jun 17 2022 adventures of men of action fight comics began as a golden age macho

take that adolf the fighting comic books of the second - May 05 2022

web new comics forums gen discussion bug reporting delete combine pages

take that adolf the fighting comic books of the second - Oct 10 2022

web aug 7 2017 take that adolf the fighting comic books of the second world war by mark fertig and many various fantagraphics books isbn 978 1 60699 987 5

take that adolf the fighting comic books of the second - Nov 11 2022

web dec 26 2018 bookmark between 1941 and 1945 hitler was pummeled on comic book covers by everyone from captain america to wonder woman take that adolf is an

take that adolf the fighting comic books of the - Sep 21 2023

web mar 22 2017 between 1941 and 1945 hitler was pummeled on comic book covers by everyone from captain america to wonder woman take that adolf is an oversized

take that adolf the fighting comic books of the second - Sep 09 2022

web between 1941 and 1945 hitler was pummeled on comic book covers by everyone from captain america to wonder woman take that adolf is an oversized compilation of

take that adolf the fighting comic books of the second - Apr 16 2023

web take that adolf the fighting comics of the second world war fertig mark amazon sg books

take that adolf the fighting comic books of the second - Jun 18 2023

web between 1941 and 1945 hitler was pummeled on comic book covers by everyone from captain america to wonder woman take that adolf is an oversized compilation of

take that adolf the fighting comic books of the second world - Jul 19 2023

web may 16 2017 the human torch jim hammond toro thomas raymond the sub mariner prince namor the nazis reprints from marvel mystery comics marvel 1939

take that adolf the fighting comics of the second world war - Mar 15 2023

web take that adolf the fighting comic books of the second world war ebook kirby jack simon joe schomburg alex eisner will fine lou kirby jack simon joe

take that adolf the fighting comic books of the second - Jan 01 2022

take that adolf the fighting comic books of the - Feb 14 2023

web this is a compilation of more than 500 stunningly restored comics covers published during world war ii featuring the world s greatest supervillain between 1941 and 1945 hitler

take that adolf the fighting comic books of the second - Mar 03 2022

web aug 4 2018 download take that adolf the fighting comic books of the second world war 1 sc related comics 78 comics pages 900 1 megabytes the books

ebook take that adolf the fighting comic books of the s - Feb 02 2022

web nov 13 2023 ivana trump told her lawyer michael kennedy that from time to time her husband reads a book of hitler s collected speeches my new order which he keeps in

take that adolf the fighting comic books of the second - Dec 12 2022

web take that adolf the fighting comic books of the second world war ebook kirby jack simon joe schomburg alex eisner will fine lou kirby jack simon joe

take that adolf the fighting comic books of the - Oct 22 2023

web apr 4 2017 between 1941 and 1945 hitler was pummeled on comic book covers by everyone from captain america to wonder woman take that adolf is an oversized

ranma 1 2 Édition originale tome 08 paperback - May 11 2023

web jun 15 2023 enough is the world ready for two later ranma meets his next nemesis herb of the legendary musk dynasty a chinese warrior tribe with the powers of animals

ranma 1 2 a dition originale tome 08 pdf uniport edu - Apr 10 2023

web may 26 2023 ranma 1 2 a dition originale tome 08 2 8 downloaded from uniport edu ng on may 26 2023 by guest of the legendary musk dynasty a chinese warrior tribe with

ranma ½ wikipedia - Nov 05 2022

web 2 naraku never stops making his evil plans after capturing rin naraku tries to pressure sesshomaru into killing inuyasha but will sesshomaru do naraku s evil bidding then a

ranma 1 2 Édition originale tome 08 kağıt kapak - Aug 14 2023

web arama yapmak istediğiniz kategoriye seçin

[ranma 1 2 a dition originale tome 08 pdf 2023](#) - Aug 02 2022

web ranma 1 2 a dition originale tome 08 1 4 downloaded from uniport edu ng on april 13 2023 by guest ranma 1 2 a dition originale tome 08 eventually you will agreed

[ranma 1 2 vol 8 takahashi rumiko takahashi rumiko](#) - Dec 06 2022

web ranma ½ è un manga shōnen scritto e disegnato da rumiko takahashi pubblicato in giappone sulla rivista weekly shōnen sunday di shogakukan dal settembre 1987 al

ranma 1 2 a dition originale tome 08 gale group - Oct 04 2022

web takahashi ranma 1 2 a dition originale tome 08 by rumiko takahashi is available in our pdf assemblage an online access to it is set as public so you can get it swiftly just

ranma 1 2 a dition originale tome 08 pdf free red ortax - Jul 13 2023

web ranma 1 2 2 in 1 edition vol 1 rumiko takahashi 2021 07 27 years ago genma promised his old friend soun tendo that ranma would marry one of soun s three

ranma 1 2 a dition originale tome 09 rumiko takahashi - Apr 29 2022

web ranma completa in vendita ranma completa 38 149 00 ranma serie completa 48 00 ranma completa 1 120 00

[ranma 1 2 a dition originale tome 08 pdf uniport edu](#) - Mar 09 2023

web apr 17 2019 hello sign in account lists returns orders cart

[ranma 1 2 a dition originale tome 08 copy uniport edu](#) - Dec 26 2021

web jun 6 2023 ranma 1 2 a dition originale tome 08 1 7 downloaded from uniport edu ng on june 6 2023 by guest ranma 1 2 a dition originale tome 08 when people should

ranma 1 2 a dition originale tome 08 pdf uniport edu - Nov 24 2021

[ranma 1 2 a dition originale tome 08 uniport edu](#) - Jan 27 2022

web for two later ranma meets his next nemesis herb of the legendary musk dynasty a chinese warrior tribe with the powers of animals herb and his companions lime and

[ranma 1 2 Édition originale tome 08 french edition](#) - Feb 08 2023

web mar 18 2020 amazon com ranma 1 2 Édition originale tome 01 french edition ebook takahashi rumiko kindle store kindle comixology rumiko takahashi

[ranma 1 2 Édition originale tome 01 french edition kindle](#) - Jan 07 2023

web jan 7 2004 ranma 1 2 vol 8 paperback january 7 2004 follows the adventures of half boy half girl martial artist ranma

whose transforming gender problems began at

ranma completa usato in italia vedi tutte i 10 prezzi - Mar 29 2022

web jul 6 2023 ranma 1 2 a dition originale tome 08 2 8 downloaded from uniport edu ng on july 6 2023 by guest a

beautifully rendered concise introduction to manga and anime for

ranma ½ season 1 wikipedia - May 31 2022

web takahashi 1998 04 08 in this ninth graphic novel from the creator of the popular ranma 1 2 comes the story of a boy a girl and the drunks who live to interfere where like

ranma 1 2 a dition originale tome 08 uniport edu - Feb 25 2022

web may 8 2023 ranma 1 2 a dition originale tome 08 2 9 downloaded from uniport edu ng on may 8 2023 by guest toward a resounding decision to choose life tenderly intimate

ranma 1 2 édition originale tome 8 bdfugue com - Jun 12 2023

web select the department you want to search in

ranma 1 2 ã dition originale tome 08 by rumiko takahashi - Sep 03 2022

web ranma 1 2 a dition originale tome 08 download only web this thoroughly updated and revised new edition of the award winning series on measurement presents nearly 80

ranma 1 2 a dition originale tome 08 pdf uniport edu - Jul 01 2022

web list of episodes this article lists the episodes and short summaries of the original ranma ½ anime series known in the english dub as the first season of ranma ½ or digital dojo

photographer boris mikhailov s ukrainian diary he is a kind of - Apr 29 2023

web aug 28 2022 the observer photography photographer boris mikhailov s ukrainian diary he is a kind of proto punk the provocative work of the self taught ukrainian spans nearly 60 years from soviet

the life s work of boris mikhailov photography s great trickster - Oct 04 2023

web oct 28 2022 critic s notebook the life s work of photography s great trickster and ukraine s greatest artist in the largest show of his career boris mikhailov casts a mordant eye over 60 years of ukraine s

boris mikhailov artnet - Aug 02 2023

web boris mikhailov is a leading ukrainian photographer whose career emerged during the reign of the soviet union and was one of the few artists to maintain his success after its fall view boris mikhailov s artworks on artnet

boris mikhailov moma - Sep 03 2023

web boris andreyevich mikhailov or borys andriyovych mykhailov ukrainian Бори с Андрі йович Миха йлов born 25 august 1938 is a soviet and ukrainian photographer he has been awarded the hasselblad award and the citibank private bank

photography prize

boris mikhailov a retrospective lensculture - Feb 25 2023

web for more than 40 years boris mikhailov has used photography to document and come to grips with the turmoil of life under the soviets and after the soviets in this heavy weight retrospective book we are able to trace both mikhailov s personal history as well as the evolving photographic techniques he used in so many ways in his efforts to

boris mikhailov born 1938 tate - Mar 29 2023

web boris andrejevich mikhailov or borys andriyovych mykhailov ukrainian Бори с Андрі йович Миха йлов born 25 august 1938 is a soviet and ukrainian photographer he has been awarded the hasselblad award and the citibank private bank photography prize

boris mikhailov pinault collection - Jan 27 2023

web boris mikhailov is one of the foremost photographers in eastern europe he has had a significant influence on conceptual art and documentary photography born in 1938 in kharkov a large industrial city in ukraine mikhailov started taking photographs in 1965 abandoning his career as an engineer

boris mikhailov case history moma - May 31 2023

web may 26 2011 ukrainian born boris mikhailov is one of the leading photographers from the former soviet union for over 30 years he has explored the position of the individual within the historical mechanisms of public ideology touching on such subjects as ukraine under soviet rule the living conditions in post communist eastern europe and the

boris mikhailov artists sprovieri gallery - Dec 26 2022

web boris mikhailov was born in ukraine in 1938 his challenging and provocative photographs document human casualties in post communist eastern europe after the demise of the soviet union since the mid 1960s boris mikhailov has explored photography s full range of possibilities and produced an uncompromising yet ironically humorous portrait of

boris mikhailov photographer wikipedia - Jul 01 2023

web boris andrejevich mikhailov or borys andriyovych mykhailov ukrainian Бори с Андрі йович Миха йлов born 25 august 1938 is a soviet and ukrainian photographer 1 2 3 he has been awarded the hasselblad award 4 and the citibank private bank photography prize