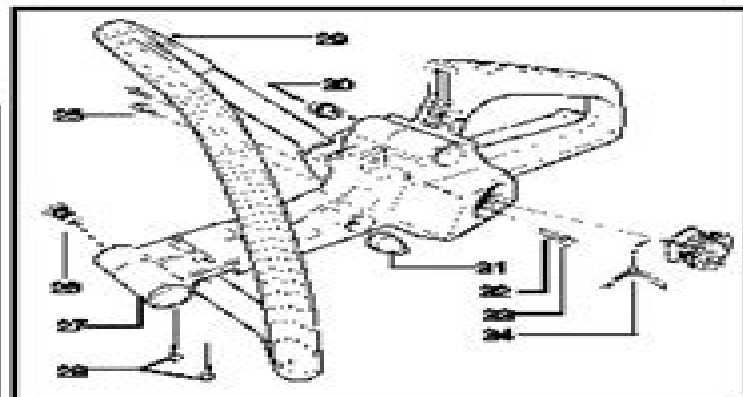
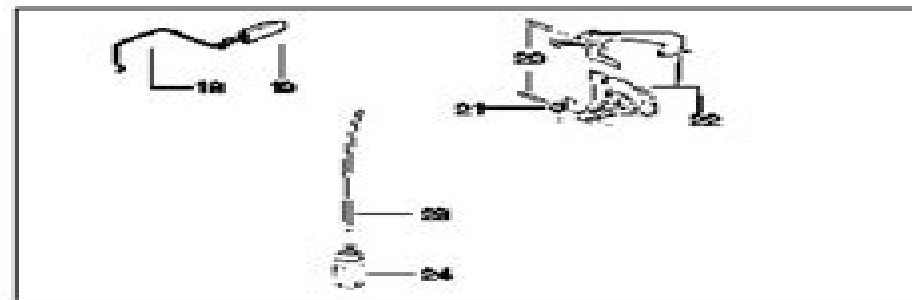
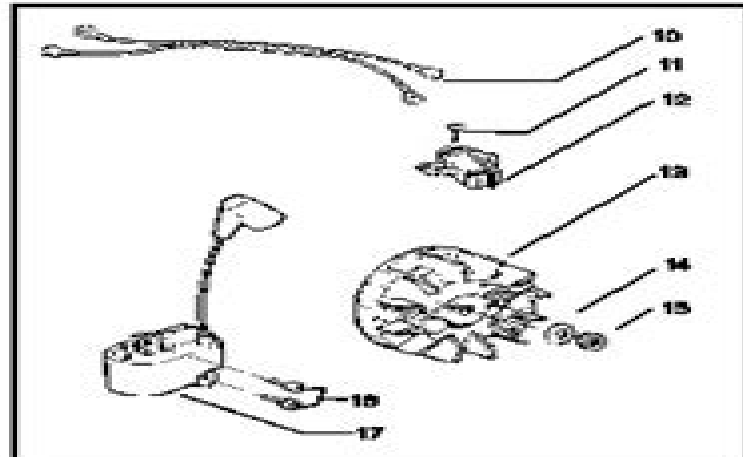
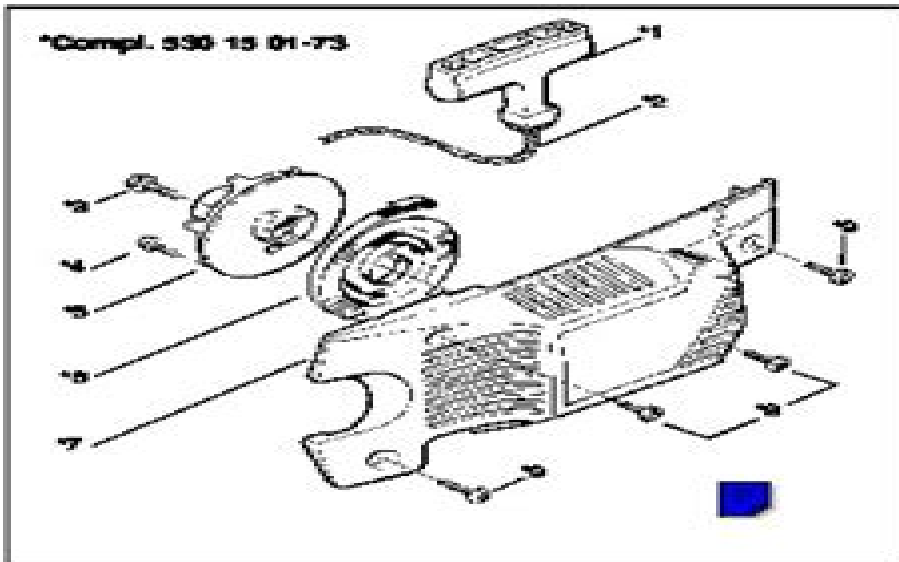


PARTS LIST NO. 3301 537 00		<b>Husqvarna</b> PARTS LIST	MODEL NO. 141 LE
DATE 07/05/04	Updated 030 153 750 - 09/09/03		NOTE: Illustration may differ from actual model due to design changes



Ref.	Part No.	Description	Ref.	Part No.	Description	Ref.	Part No.	Description
1	330000401	Head - Cylinder	10	330000001	Body - Ignition	19	330000000	Body
2	330000000	Piston	11	330000000	Body - Fuel Tank	20	330000000	Body - Fuel Tank
3	330000000	Piston Ring	12	330000000	Body - Fuel Tank	21	330000000	Body - Fuel Tank
4	330000000	Piston Ring	13	330000000	Body - Fuel Tank	22	330000000	Body - Fuel Tank
5	330000000	Connecting Rod	14	330000000	Body - Fuel Tank	23	330000000	Body - Fuel Tank
6	330000000	Crankshaft	15	330000000	Body - Fuel Tank	24	330000000	Body - Fuel Tank
7	330000000	Ignition Coil	16	330000000	Body - Fuel Tank			
8	330000000	Ignition Cap	17	330000000	Body - Fuel Tank			
9	330000000	Ignition Cap Gasket	18	330000000	Body - Fuel Tank			
10	330000000	Ignition Cap Gasket	19	330000000	Body - Fuel Tank			
11	330000000	Ignition Cap Gasket	20	330000000	Body - Fuel Tank			
12	330000000	Ignition Cap Gasket	21	330000000	Body - Fuel Tank			
13	330000000	Ignition Cap Gasket	22	330000000	Body - Fuel Tank			
14	330000000	Ignition Cap Gasket	23	330000000	Body - Fuel Tank			
15	330000000	Ignition Cap Gasket	24	330000000	Body - Fuel Tank			

\* IN THIS DRAWING FOR THIS SET. \* IN REFER TO THE SERVICE REFERENCE INDICATED FOR MORE INFORMATION (LOCATED AT END OF SET).  
 # IN THESE DRAWING ARE ILLUSTRATED FOR CLARITY. CROSS COMPLETE ASSEMBLY.

# Husqvarna 141 Manual

**PT Brinkman**



## **Husqvarna 141 Manual:**

## **Husqvarna 141 Manual** Book Review: Unveiling the Magic of Language

In an electronic era where connections and knowledge reign supreme, the enchanting power of language has are more apparent than ever. Its capability to stir emotions, provoke thought, and instigate transformation is really remarkable. This extraordinary book, aptly titled "**Husqvarna 141 Manual**," written by a highly acclaimed author, immerses readers in a captivating exploration of the significance of language and its profound impact on our existence. Throughout this critique, we shall delve into the book is central themes, evaluate its unique writing style, and assess its overall influence on its readership.

[https://staging.conocer.cide.edu/files/uploaded-files/Documents/gradpoint\\_test\\_answers\\_for\\_english\\_11.pdf](https://staging.conocer.cide.edu/files/uploaded-files/Documents/gradpoint_test_answers_for_english_11.pdf)

### **Table of Contents Husqvarna 141 Manual**

1. Understanding the eBook Husqvarna 141 Manual
  - The Rise of Digital Reading Husqvarna 141 Manual
  - Advantages of eBooks Over Traditional Books
2. Identifying Husqvarna 141 Manual
  - Exploring Different Genres
  - Considering Fiction vs. Non-Fiction
  - Determining Your Reading Goals
3. Choosing the Right eBook Platform
  - Popular eBook Platforms
  - Features to Look for in an Husqvarna 141 Manual
  - User-Friendly Interface
4. Exploring eBook Recommendations from Husqvarna 141 Manual
  - Personalized Recommendations
  - Husqvarna 141 Manual User Reviews and Ratings
  - Husqvarna 141 Manual and Bestseller Lists
5. Accessing Husqvarna 141 Manual Free and Paid eBooks

- Husqvarna 141 Manual Public Domain eBooks
  - Husqvarna 141 Manual eBook Subscription Services
  - Husqvarna 141 Manual Budget-Friendly Options
6. Navigating Husqvarna 141 Manual eBook Formats
    - ePub, PDF, MOBI, and More
    - Husqvarna 141 Manual Compatibility with Devices
    - Husqvarna 141 Manual Enhanced eBook Features
  7. Enhancing Your Reading Experience
    - Adjustable Fonts and Text Sizes of Husqvarna 141 Manual
    - Highlighting and Note-Taking Husqvarna 141 Manual
    - Interactive Elements Husqvarna 141 Manual
  8. Staying Engaged with Husqvarna 141 Manual
    - Joining Online Reading Communities
    - Participating in Virtual Book Clubs
    - Following Authors and Publishers Husqvarna 141 Manual
  9. Balancing eBooks and Physical Books Husqvarna 141 Manual
    - Benefits of a Digital Library
    - Creating a Diverse Reading Collection Husqvarna 141 Manual
  10. Overcoming Reading Challenges
    - Dealing with Digital Eye Strain
    - Minimizing Distractions
    - Managing Screen Time
  11. Cultivating a Reading Routine Husqvarna 141 Manual
    - Setting Reading Goals Husqvarna 141 Manual
    - Carving Out Dedicated Reading Time
  12. Sourcing Reliable Information of Husqvarna 141 Manual
    - Fact-Checking eBook Content of Husqvarna 141 Manual
    - Distinguishing Credible Sources
  13. Promoting Lifelong Learning
    - Utilizing eBooks for Skill Development

- Exploring Educational eBooks
- 14. Embracing eBook Trends
  - Integration of Multimedia Elements
  - Interactive and Gamified eBooks

### **Husqvarna 141 Manual Introduction**

Husqvarna 141 Manual Offers over 60,000 free eBooks, including many classics that are in the public domain. Open Library: Provides access to over 1 million free eBooks, including classic literature and contemporary works. Husqvarna 141 Manual Offers a vast collection of books, some of which are available for free as PDF downloads, particularly older books in the public domain. Husqvarna 141 Manual : This website hosts a vast collection of scientific articles, books, and textbooks. While it operates in a legal gray area due to copyright issues, its a popular resource for finding various publications. Internet Archive for Husqvarna 141 Manual : Has an extensive collection of digital content, including books, articles, videos, and more. It has a massive library of free downloadable books. Free-eBooks Husqvarna 141 Manual Offers a diverse range of free eBooks across various genres. Husqvarna 141 Manual Focuses mainly on educational books, textbooks, and business books. It offers free PDF downloads for educational purposes. Husqvarna 141 Manual Provides a large selection of free eBooks in different genres, which are available for download in various formats, including PDF. Finding specific Husqvarna 141 Manual, especially related to Husqvarna 141 Manual, might be challenging as theyre often artistic creations rather than practical blueprints. However, you can explore the following steps to search for or create your own Online Searches: Look for websites, forums, or blogs dedicated to Husqvarna 141 Manual, Sometimes enthusiasts share their designs or concepts in PDF format. Books and Magazines Some Husqvarna 141 Manual books or magazines might include. Look for these in online stores or libraries. Remember that while Husqvarna 141 Manual, sharing copyrighted material without permission is not legal. Always ensure youre either creating your own or obtaining them from legitimate sources that allow sharing and downloading. Library Check if your local library offers eBook lending services. Many libraries have digital catalogs where you can borrow Husqvarna 141 Manual eBooks for free, including popular titles. Online Retailers: Websites like Amazon, Google Books, or Apple Books often sell eBooks. Sometimes, authors or publishers offer promotions or free periods for certain books. Authors Website Occasionally, authors provide excerpts or short stories for free on their websites. While this might not be the Husqvarna 141 Manual full book , it can give you a taste of the authors writing style. Subscription Services Platforms like Kindle Unlimited or Scribd offer subscription-based access to a wide range of Husqvarna 141 Manual eBooks, including some popular titles.

---

**FAQs About Husqvarna 141 Manual Books**

1. Where can I buy Husqvarna 141 Manual books? Bookstores: Physical bookstores like Barnes & Noble, Waterstones, and independent local stores. Online Retailers: Amazon, Book Depository, and various online bookstores offer a wide range of books in physical and digital formats.
2. What are the different book formats available? Hardcover: Sturdy and durable, usually more expensive. Paperback: Cheaper, lighter, and more portable than hardcovers. E-books: Digital books available for e-readers like Kindle or software like Apple Books, Kindle, and Google Play Books.
3. How do I choose a Husqvarna 141 Manual book to read? Genres: Consider the genre you enjoy (fiction, non-fiction, mystery, sci-fi, etc.). Recommendations: Ask friends, join book clubs, or explore online reviews and recommendations. Author: If you like a particular author, you might enjoy more of their work.
4. How do I take care of Husqvarna 141 Manual books? Storage: Keep them away from direct sunlight and in a dry environment. Handling: Avoid folding pages, use bookmarks, and handle them with clean hands. Cleaning: Gently dust the covers and pages occasionally.
5. Can I borrow books without buying them? Public Libraries: Local libraries offer a wide range of books for borrowing. Book Swaps: Community book exchanges or online platforms where people exchange books.
6. How can I track my reading progress or manage my book collection? Book Tracking Apps: Goodreads, LibraryThing, and Book Catalogue are popular apps for tracking your reading progress and managing book collections. Spreadsheets: You can create your own spreadsheet to track books read, ratings, and other details.
7. What are Husqvarna 141 Manual audiobooks, and where can I find them? Audiobooks: Audio recordings of books, perfect for listening while commuting or multitasking. Platforms: Audible, LibriVox, and Google Play Books offer a wide selection of audiobooks.
8. How do I support authors or the book industry? Buy Books: Purchase books from authors or independent bookstores. Reviews: Leave reviews on platforms like Goodreads or Amazon. Promotion: Share your favorite books on social media or recommend them to friends.
9. Are there book clubs or reading communities I can join? Local Clubs: Check for local book clubs in libraries or community centers. Online Communities: Platforms like Goodreads have virtual book clubs and discussion groups.
10. Can I read Husqvarna 141 Manual books for free? Public Domain Books: Many classic books are available for free as they're in the public domain. Free E-books: Some websites offer free e-books legally, like Project Gutenberg or Open Library.

**Find Husqvarna 141 Manual :**

[gradpoint test answers for english 11](#)

[grain size abaqus](#)

[graphic organizer template world history](#)

**graphic novel vs comic book**

[grand cherokee 2015 manual](#)

**grands auteurs pense conomique**

[grand cherokee vacuum diagrams](#)

[gradepure math november2014](#)

**grammar and punctuation rubric**

**grassland grouse and their conservation paul a johnsgard**

[grade9 natural science memorandam end of year examination paper](#)

[graphing coordinates mystery picture](#)

[grammar in use book](#)

[graduation songs for 2nd and 3rd graders](#)

[grasshopper observation and dissection answers](#)

**Husqvarna 141 Manual :**

Core Questions in Philosophy: A Text with... by Sober, Elliott Elliott Sober. Core Questions in Philosophy: A Text with Readings (6th Edition). 6th Edition. ISBN-13: 978-0205206698, ISBN-10: 0205206697. 4.4 4.4 out of 5 ... Core Questions in Philosophy: A Text with... by Sober, Elliott Core Questions in Philosophy: A Text with Readings, Books a la Carte Edition (6th Edition). 6th Edition. ISBN-13: ... Core Questions in Philosophy A Text with Readings | Rent Authors: Elliott Sober ; Full Title: Core Questions in Philosophy: A Text with Readings ; Edition: 6th edition ; ISBN-13: 978-0205206698 ; Format: Paperback/ ... Core Questions in Philosophy: A Text with Readings (6th ... Core Questions in Philosophy: A Text with Readings (6th Edition) by Sober, Elliott - ISBN 10: 0205206697 - ISBN 13: 9780205206698 - Pearson - 2012 ... Core Questions Philosophy Text by Elliott Sober Core Questions in Philosophy: A Text with Readings (3rd Edition). Sober, Elliott. ISBN 13: 9780130835376. Seller: Wonder Book Frederick, MD, U.S.A.. 'Core Questions In Philosophy by Sober, Elliott Core Questions in Philosophy: A Text with Readings (4th Edition). by Elliott Sober. Condition: Used - Good; Published: 2004-06-11; Binding: Paperback ... Core Questions in Philosophy : A Text with Readings ... Core Questions in Philosophy : A Text with Readings by Elliott Sober



(2012, Trade Paperback). A Text with Readings [6th Edition] by Sober, Ellio ... Core Questions in Philosophy: A Text with Readings [6th Edition] by Sober, Ellio ; Quantity. 3 available ; Item Number. 115905358052 ; ISBN. 9780205206698. Core Questions in Philosophy: A Text with Readings Bibliographic information ; Title, Core Questions in Philosophy: A Text with Readings ; Author, Elliott Sober ; Edition, 6 ; Publisher, Pearson Education, 2013. Core Questions in Philosophy - 8th Edition 8th Edition. Core Questions in Philosophy. By Elliott Sober Copyright 2021. Paperback \$63.96. Hardback \$136.00. eBook \$63.96. ISBN 9780367464981. 364 Pages 29 B ... Electrical Engineering Aptitude Test Questions and Answers May 29, 2019 — Prepare with these latest aptitude test sample questions and answers for electrical engineering job interviews and campus placements. Basic Electrical Engineering Aptitude Test This set of Basic Electrical Engineering Questions and Answers for Aptitude test focuses on Phasor Diagrams Drawn with rms Values Instead of Maximum Values. Electrical Aptitude Test The electrical aptitude test is conducted to find out your working knowledge of power flow, electrical functionality, and signals. Solving Electrical Circuits (2023) - Mechanical Aptitude Test These questions are designed to test your ability to apply basic electrical principles to real-world problems, and your performance on these questions can help ... Free Mechanical Aptitude Test Practice Questions and Answers Learn how to prepare for your mechanical aptitude test with free mechanical aptitude practice test questions, crucial information and tips to help you pass. Engineering Aptitude Test: Free Practice Questions (2023) Applying for a role in engineering? Prepare for engineering aptitude tests with 22 practice tests and 280 questions & answers written by experts. ENGINEERING Aptitude Test Questions & Answers ENGINEERING Aptitude Test Questions & Answers! Mechanical Comprehension & Electrical Aptitude Tests! ... 25 PSYCHOMETRIC TEST PRACTICE QUESTIONS ... Free Electrical IBEW Aptitude Test Practice: Prep Guide Free Electrical IBEW Aptitude Practice Test & Prep Guide by iPREP. Check out our free IBEW NJATC sample questions and ace your test. Electrical Engineering Questions and Answers Electrical Engineering questions and answers with explanations are provided for your competitive exams, placement interviews, and entrance tests. Park's Textbook Of Preventive And Social Medicine Park's Textbook Of Preventive And Social Medicine ; Publication date. January 1, 2021 ; Dimensions. 7.99 x 10 x 1.85 inches ; ISBN-10. 9382219161 ; ISBN-13. 978- ... preventive and social medicine Park's Textbook of. PREVENTIVE. AND SOCIAL. MEDICINE. BHANOT. K. PARK. 23 rd. EDITION. Page 2. The Book is dedicated to the revered memory of my husband. DR. Park Textbook of Preventive and Social Medicine 23rd ... Park Textbook of Preventive and Social Medicine 23rd edition (park psm) [Hardcover] [Jan 01, 2015] Park [K. Park] on Amazon.com. Park's textbook of preventive and social medicine Park's textbook of preventive and social medicine ; Author: K. Park (Author) ; Edition: Twenty-third edition View all formats and editions ; Publisher: Bhanot ... Park's Textbook of Preventive and Social Medicine 22/e Park's Textbook of Preventive and Social Medicine. K. Park. Published by Banarsidas Bhanot (2013). ISBN 10: 9382219021 ISBN 13: 9789382219026. New Hardcover ... Park, K. (2007) Parks Textbook of Preventive and Social ... Park, K. (2007) Parks Textbook of Preventive and Social Medicine. 19th Edition, M/S Banarsidas Bhanot Publishers,

Jabalpur, 798-806. Park's Textbook of Preventive and Social Medicine Park's Textbook of Preventive and Social Medicine. K. Park. 3.89. 1,655 ratings ... Preventive and social medicine best book book for medical students. This ... Park's textbook of preventive and social medicine Park's textbook of preventive and social medicine ; Author: K. Park ; Edition: 20th ed View all formats and editions ; Publisher: M/S Banarsidas Bhanot, Jabalpur, ... Park's Textbook of Preventive and Social Medicine Park's Textbook of Preventive and Social Medicine. 1 ratings by Goodreads · K. Park. Published by Banarsidas Bhanot, 2013. ISBN 10: 9382219021 / ISBN 13 ... Park's Textbook Of Preventive And Social Medicine Park's Textbook Of Preventive And Social Medicine ; Author(s): K PARK ; Edition: 26TH ; Published Year: 2021 ; ISBN: 978-9382219163 ; Availability: In Stock.