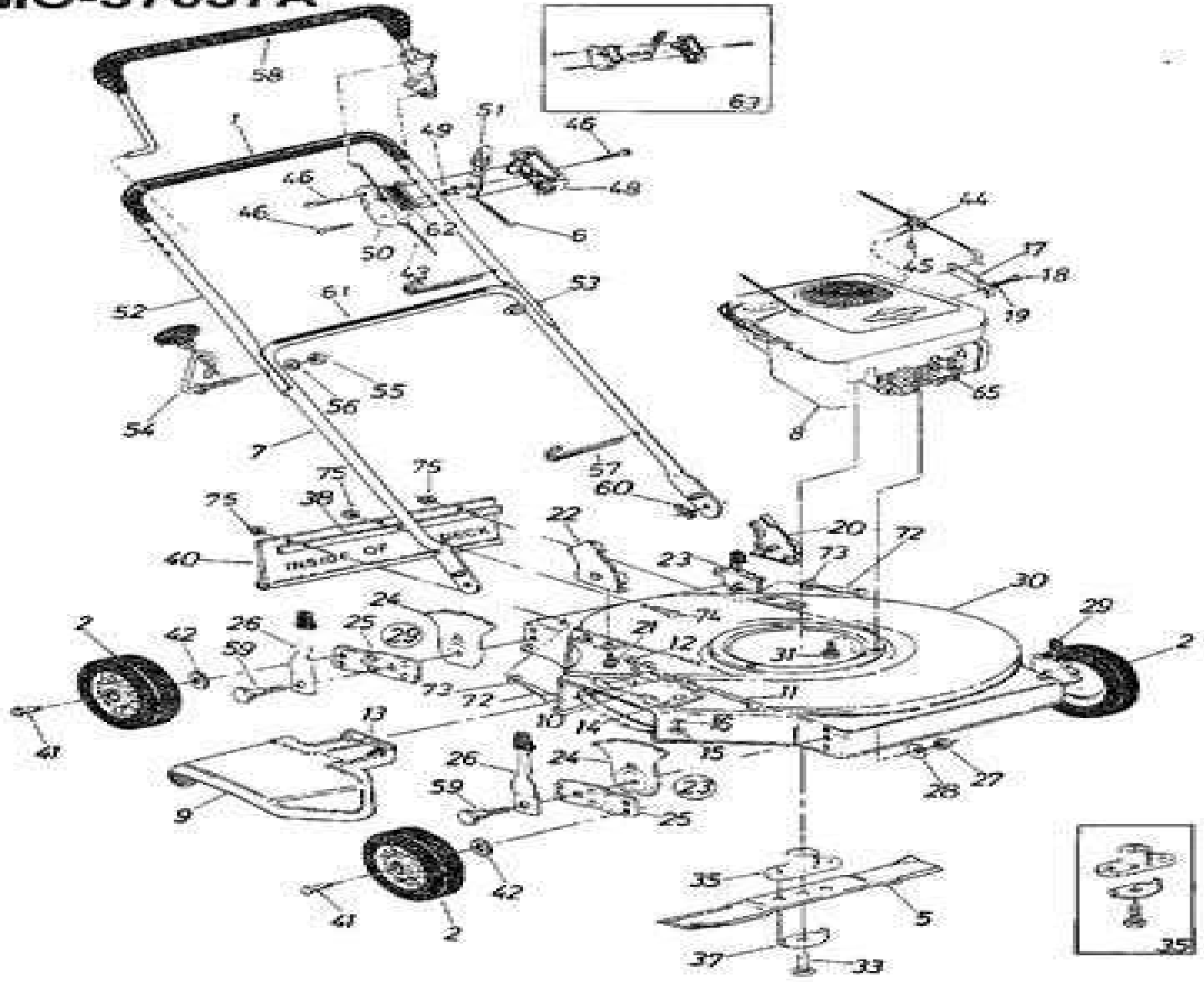


MONTGOMERY WARD'S
LAWN MOWER
MODEL: TMO-37036A
TMO-37037A

TMO-37036A TMO-37037A



Huskee Lawn Mower Manual Syt 5000

**Intertec Publishing Corporation.
Technical Publications Division**



Huskee Lawn Mower Manual Syt 5000:

Farmers and Consumers Market Bulletin ,2010 **Riding Lawn Mower Service Manual** Intertec Publishing Corporation Staff,1989-03-01 **Riding Lawn Mower Service Manual** Intertec Publishing Corporation,1989 Contains repair information for riding lawn mowers *Riding Lawn Mower Service Manual* Intertec Publishing Staff,Intertec Publishing,1989-03 **Walking Lawn Mower Service Manual (push Type).** ,1984 *Walking Lawn Mower Service Manual (push Type).* ,1984 Riding Lawn Mower Service Manual Intertec Publishing Corporation. Technical Publications Division,1977 **Riding Lawn Mower Service Manual** ,1984 **Riding Lawn Mower Service Manual Volume 1** Penton Staff,2000-05-24 Service and maintenance procedures for riding mowers manufactured prior to 1992 *Owners Manual 18" Craftsman Lawn Mower Model Number 536.81293* Sears, Roebuck and Company,1960 Walking Lawn Mower Service Manual Intertec Publishing Corporation,1979 After watching the Explorer Birds pass her by Beck uses some of Vidia s enhanced fairy dust to help her fly faster so she can travel with the birds beyond the boundaries of Never Land **Riding Lawn Mower Service Manual Volume 2** Penton Staff,2000-05-24 Service and maintenance procedures for riding mowers manufactured in 1992 and later **Walk-behind Lawn Mower Service Manual** Intertec,1994 More *RIDING LAWN MOWER SERVICE MANUAL. 3D ED.* Intertec Publishing Corporation,1989 **The Lawn Mower Manual** John L. Ryan,2005 **Riding Lawn Mower Service Manual Volume 2** Penton Staff,2000-05-24 Service and maintenance procedures for riding mowers manufactured in 1992 and later

Thank you very much for downloading **Huskee Lawn Mower Manual Syt 5000**. As you may know, people have look numerous times for their chosen books like this Huskee Lawn Mower Manual Syt 5000, but end up in infectious downloads. Rather than reading a good book with a cup of coffee in the afternoon, instead they are facing with some malicious bugs inside their laptop.

Huskee Lawn Mower Manual Syt 5000 is available in our book collection an online access to it is set as public so you can get it instantly.

Our book servers hosts in multiple countries, allowing you to get the most less latency time to download any of our books like this one.

Kindly say, the Huskee Lawn Mower Manual Syt 5000 is universally compatible with any devices to read

https://staging.conocer.cide.edu/data/book-search/Documents/Jeep_Cj_Repair_Manual.pdf

Table of Contents Huskee Lawn Mower Manual Syt 5000

1. Understanding the eBook Huskee Lawn Mower Manual Syt 5000
 - The Rise of Digital Reading Huskee Lawn Mower Manual Syt 5000
 - Advantages of eBooks Over Traditional Books
2. Identifying Huskee Lawn Mower Manual Syt 5000
 - Exploring Different Genres
 - Considering Fiction vs. Non-Fiction
 - Determining Your Reading Goals
3. Choosing the Right eBook Platform
 - Popular eBook Platforms
 - Features to Look for in an Huskee Lawn Mower Manual Syt 5000
 - User-Friendly Interface
4. Exploring eBook Recommendations from Huskee Lawn Mower Manual Syt 5000
 - Personalized Recommendations

- Huskee Lawn Mower Manual Syt 5000 User Reviews and Ratings
- Huskee Lawn Mower Manual Syt 5000 and Bestseller Lists
- 5. Accessing Huskee Lawn Mower Manual Syt 5000 Free and Paid eBooks
 - Huskee Lawn Mower Manual Syt 5000 Public Domain eBooks
 - Huskee Lawn Mower Manual Syt 5000 eBook Subscription Services
 - Huskee Lawn Mower Manual Syt 5000 Budget-Friendly Options
- 6. Navigating Huskee Lawn Mower Manual Syt 5000 eBook Formats
 - ePub, PDF, MOBI, and More
 - Huskee Lawn Mower Manual Syt 5000 Compatibility with Devices
 - Huskee Lawn Mower Manual Syt 5000 Enhanced eBook Features
- 7. Enhancing Your Reading Experience
 - Adjustable Fonts and Text Sizes of Huskee Lawn Mower Manual Syt 5000
 - Highlighting and Note-Taking Huskee Lawn Mower Manual Syt 5000
 - Interactive Elements Huskee Lawn Mower Manual Syt 5000
- 8. Staying Engaged with Huskee Lawn Mower Manual Syt 5000
 - Joining Online Reading Communities
 - Participating in Virtual Book Clubs
 - Following Authors and Publishers Huskee Lawn Mower Manual Syt 5000
- 9. Balancing eBooks and Physical Books Huskee Lawn Mower Manual Syt 5000
 - Benefits of a Digital Library
 - Creating a Diverse Reading Collection Huskee Lawn Mower Manual Syt 5000
- 10. Overcoming Reading Challenges
 - Dealing with Digital Eye Strain
 - Minimizing Distractions
 - Managing Screen Time
- 11. Cultivating a Reading Routine Huskee Lawn Mower Manual Syt 5000
 - Setting Reading Goals Huskee Lawn Mower Manual Syt 5000
 - Carving Out Dedicated Reading Time
- 12. Sourcing Reliable Information of Huskee Lawn Mower Manual Syt 5000
 - Fact-Checking eBook Content of Huskee Lawn Mower Manual Syt 5000

- Distinguishing Credible Sources
- 13. Promoting Lifelong Learning
 - Utilizing eBooks for Skill Development
 - Exploring Educational eBooks
- 14. Embracing eBook Trends
 - Integration of Multimedia Elements
 - Interactive and Gamified eBooks

Huskee Lawn Mower Manual Syt 5000 Introduction

Free PDF Books and Manuals for Download: Unlocking Knowledge at Your Fingertips In today's fast-paced digital age, obtaining valuable knowledge has become easier than ever. Thanks to the internet, a vast array of books and manuals are now available for free download in PDF format. Whether you are a student, professional, or simply an avid reader, this treasure trove of downloadable resources offers a wealth of information, conveniently accessible anytime, anywhere. The advent of online libraries and platforms dedicated to sharing knowledge has revolutionized the way we consume information. No longer confined to physical libraries or bookstores, readers can now access an extensive collection of digital books and manuals with just a few clicks. These resources, available in PDF, Microsoft Word, and PowerPoint formats, cater to a wide range of interests, including literature, technology, science, history, and much more. One notable platform where you can explore and download free Huskee Lawn Mower Manual Syt 5000 PDF books and manuals is the internet's largest free library. Hosted online, this catalog compiles a vast assortment of documents, making it a veritable goldmine of knowledge. With its easy-to-use website interface and customizable PDF generator, this platform offers a user-friendly experience, allowing individuals to effortlessly navigate and access the information they seek. The availability of free PDF books and manuals on this platform demonstrates its commitment to democratizing education and empowering individuals with the tools needed to succeed in their chosen fields. It allows anyone, regardless of their background or financial limitations, to expand their horizons and gain insights from experts in various disciplines. One of the most significant advantages of downloading PDF books and manuals lies in their portability. Unlike physical copies, digital books can be stored and carried on a single device, such as a tablet or smartphone, saving valuable space and weight. This convenience makes it possible for readers to have their entire library at their fingertips, whether they are commuting, traveling, or simply enjoying a lazy afternoon at home. Additionally, digital files are easily searchable, enabling readers to locate specific information within seconds. With a few keystrokes, users can search for keywords, topics, or phrases, making research and finding relevant information a breeze. This efficiency saves time and effort, streamlining the learning process and allowing individuals to

focus on extracting the information they need. Furthermore, the availability of free PDF books and manuals fosters a culture of continuous learning. By removing financial barriers, more people can access educational resources and pursue lifelong learning, contributing to personal growth and professional development. This democratization of knowledge promotes intellectual curiosity and empowers individuals to become lifelong learners, promoting progress and innovation in various fields. It is worth noting that while accessing free Huskee Lawn Mower Manual Syt 5000 PDF books and manuals is convenient and cost-effective, it is vital to respect copyright laws and intellectual property rights. Platforms offering free downloads often operate within legal boundaries, ensuring that the materials they provide are either in the public domain or authorized for distribution. By adhering to copyright laws, users can enjoy the benefits of free access to knowledge while supporting the authors and publishers who make these resources available. In conclusion, the availability of Huskee Lawn Mower Manual Syt 5000 free PDF books and manuals for download has revolutionized the way we access and consume knowledge. With just a few clicks, individuals can explore a vast collection of resources across different disciplines, all free of charge. This accessibility empowers individuals to become lifelong learners, contributing to personal growth, professional development, and the advancement of society as a whole. So why not unlock a world of knowledge today? Start exploring the vast sea of free PDF books and manuals waiting to be discovered right at your fingertips.

FAQs About Huskee Lawn Mower Manual Syt 5000 Books

What is a Huskee Lawn Mower Manual Syt 5000 PDF? A PDF (Portable Document Format) is a file format developed by Adobe that preserves the layout and formatting of a document, regardless of the software, hardware, or operating system used to view or print it. **How do I create a Huskee Lawn Mower Manual Syt 5000 PDF?** There are several ways to create a PDF: Use software like Adobe Acrobat, Microsoft Word, or Google Docs, which often have built-in PDF creation tools. Print to PDF: Many applications and operating systems have a "Print to PDF" option that allows you to save a document as a PDF file instead of printing it on paper. Online converters: There are various online tools that can convert different file types to PDF. **How do I edit a Huskee Lawn Mower Manual Syt 5000 PDF?** Editing a PDF can be done with software like Adobe Acrobat, which allows direct editing of text, images, and other elements within the PDF. Some free tools, like PDFescape or Smallpdf, also offer basic editing capabilities. **How do I convert a Huskee Lawn Mower Manual Syt 5000 PDF to another file format?** There are multiple ways to convert a PDF to another format: Use online converters like Smallpdf, Zamzar, or Adobe Acrobats export feature to convert PDFs to formats like Word, Excel, JPEG, etc. Software like Adobe Acrobat, Microsoft Word, or other PDF editors may have options to export or save PDFs in different formats. **How do I password-protect a Huskee Lawn Mower Manual Syt 5000 PDF?** Most PDF editing software allows you to add password

protection. In Adobe Acrobat, for instance, you can go to "File" -> "Properties" -> "Security" to set a password to restrict access or editing capabilities. Are there any free alternatives to Adobe Acrobat for working with PDFs? Yes, there are many free alternatives for working with PDFs, such as: LibreOffice: Offers PDF editing features. PDFsam: Allows splitting, merging, and editing PDFs. Foxit Reader: Provides basic PDF viewing and editing capabilities. How do I compress a PDF file? You can use online tools like Smallpdf, ILovePDF, or desktop software like Adobe Acrobat to compress PDF files without significant quality loss. Compression reduces the file size, making it easier to share and download. Can I fill out forms in a PDF file? Yes, most PDF viewers/editors like Adobe Acrobat, Preview (on Mac), or various online tools allow you to fill out forms in PDF files by selecting text fields and entering information. Are there any restrictions when working with PDFs? Some PDFs might have restrictions set by their creator, such as password protection, editing restrictions, or print restrictions. Breaking these restrictions might require specific software or tools, which may or may not be legal depending on the circumstances and local laws.

Find Huskee Lawn Mower Manual Syt 5000 :

jeep cj repair manual

jeep cherokee liberty repair manual

jeep 30l-erd haynes manual

jeep commander 2008 manual

jcb robot 190-1110 skid-steer loader service repair manual

jeep m715 manual

jeep cherokee service manual

jee main paper 1 answer keys

jd 2020 brakes

jd 567 baler parts manual

jeep cherokee diesel workshop manual 2015

jeep grand cherokee wj workshop repair manual all 1999 models covered

jeep cherokee ves manual

jeep tj digital workshop repair manual 1997 2006

jcb js130 js160 tracked excavator service shop repair manual

Huskee Lawn Mower Manual Syt 5000 :

grade 12 life sciences june examination with - May 08 2022

web grade 12 life sciences june examination prepared in may 2023 out of 150 marks duration 150 minutes topics dna rna and protein synthesis 28 marks meiosis 18 marks reproduction 33 marks genetics 27 marks nervous system 10 marks eye and ear 24 marks and

life sciences grade 12 stanmore secondary - Aug 23 2023

web 2023 march qp and memo nsc may june p1 and memo nsc may june p2 and memo lp pre june qp and memo kzn pre june qp and memo fs sept p2 and memo nw sept p2 and memo kzn sept p1 and memo

2023 24 annual teaching plans life sciences grade 12 - Apr 19 2023

web 2023 24 annual teaching plans life sciences grade 12 term 1 term 3 caps topic core concepts skills and values requisite pre knowledge resources other than textbook to enhance learning week 1 week 2 week 3 evolution national examination guideline pg 13

life sciences national department of basic education - Aug 11 2022

web may 25 2018 the following topics make up each of the two life sciences exam papers that you will write during the examinations paper 1 meiosis reproduction in vertebrates human reproduction responding to the environment humans human endocrine system homeostasis in humans responding to the environment plants human

grade 12 2023 june exams memo life sciences grade 12 youtube - Apr 07 2022

web grade 12 2023 june exams memo life sciences grade 12 thundereduc by b saidi thundereduc 19 2k subscribers join subscribe 172 9 1k views streamed 1 month ago all videos grade 12 2023

downloaded from stanmorephysics - Sep 24 2023

web the scope for june exam 2022 grade 12 marks 150 1 dna 25 marks 2 meiosis 17 marks 3 reproductive strategies 8 marks 4 human reproduction 25 marks 5 genetics 33 marks 6 human response to the environment 25 marks 7 endocrine system and homeostasis 17 marks downloaded from stanmorephysics com

life sciences grade 12 past exam papers and memos - Dec 15 2022

web welcome to the grade 12 life sciences past exam paper page here you ll find a comprehensive range of grade 12 past year exam papers and memos ranging from 2023 to as far back as 2009 our collection will help you prepare for your upcoming exams by familiarizing yourself with the exam format and identifying areas for improvement

life science grade 12 examination guidelines 2023 pdf - Mar 06 2022

web may 15 2023 the life science grade 12 examination guidelines for 2023 have been released by the department of education here s everything you need to know about the changes and how to check the guidelines for your subjects

[downloaded from stanmorephysics](#) - Feb 05 2022

web the scope for june exam grade 10 marks 120 1 chemistry of life 2 cell structure microscope 3 cell division 4 animal tissues 5 plant tissues organs 6 support and transport in plants 7 support in animals 8 transport in mammals downloaded from stanmorephysics com

life sciences school based assessment exemplars caps grade 12 - Jun 09 2022

web jun 21 2021 requirements for the grade 12 programme of assessment for the life sciences caps curriculum a description of the various types of assessment tasks assignment project practical task and test exemplar assessment tasks assignment practical task and test marking guidelines for each assessment task

life sciences grade 12 june 2021 exam papers and memos for downloads - Feb 17 2023

web oct 19 2021 life sciences grade 12 june 2021 exam papers and memos for downloads heads up modern classroom has 100s of resources for you to ace your next tests assignment project test and exams for grade 12 this year

grade 12 life sciences june examination 2022 150 - Jul 10 2022

web grade 12 life sciences june examination document has been prepared in may 2022 exam paper is out of 150 marks advised duration is 150 minutes topics dna rna p synthesis meiosis human reproduction genetics nervous system eye and ear memorandum is available for you good luck

[scope of june 2022 exams elimuza com](#) - Jul 22 2023

web jun 2 2022 the purpose of this communiqué is to provide clarity on the scope of the content to be assessed in the june 2022 provincial assessment and to assist teachers to adequately prepare candidates for these assessments the assessments are congruent with the current annual teaching plans as promulgated by the department of basic education

life sciences national department of basic education - Jun 21 2023

web may 17 2021 introduction specific aims for grade 12 caps assessment in grade 12 3 1 weighting of cognitive levels for grade 12 caps 3 2 weighting of degrees of difficulty caps amended 3 3 sequence of topics for grade 12 caps amended 3 4 programme of formal assessment for grade 12 caps

grade 12 life sciences june exam and memo 2023 teacha - May 20 2023

web this product contains a downloadable grade 12 life sciences june exam and memo the test and memo consist of 15 pages and have a total of 150 marks contact us for more information on our products

scope for june life sciences grade 12 - Mar 18 2023

web scope for june life sciences grade 12 grade 12 life sciences apps on google play feb 04 2022 web apr 2 2023 2022 grade 12 life sciences for studying and preparing for a exams consisting of the following chapters and content chapter 1 nucleic acids chapter 2 meiosis chapter 3 reproduction in vertebrates chapter 4

[downloaded from stanmorephysics](#) - Nov 14 2022

web scope of common tests grade 12 2021 1 dna rna and protein synthesis 1 dna rna and protein synthesis 2 meiosis 2 meiosis

nsc may june 2022 life sciences paper 1 wced eportal - Oct 13 2022

web aug 22 2022 this is the life sciences paper 1 for national senior certificate may june 2022 grade 12 learners will benefit greatly when using it as part of their examination preparation nsc may june 2022 life sciences paper 1 wced eportal

[life sciences examination guidelines senior](#) - Jan 16 2023

web feb 9 2015 life sciences examination guidelines senior certificate sc grade 12 2015 these guidelines consist of 19 pages table of content introduction assessment in grade 12 2 1 format of the question paper 2 2 weighting of cognitive levels for grade 12 caps from 2014 2 3 programme of formal

[scope for june life sciences grade 12 full pdf](#) - Sep 12 2022

web accompanied by guides you could enjoy now is scope for june life sciences grade 12 below differentiating science instruction and assessment for learners with special needs k 8 kevin d finson 2011 03 01 field tested strategies for teaching science to students with special needs this timely practical guidebook shows general and

on becoming baby wise giving your infant the gift of nighttime - Oct 08 2023

web feb 1 2012 on becoming baby wise giving your infant the gift of nighttime sleep paperback february 1 2012 by robert bucknam m d author gary ezzo author 4 6 4 6 out of 5 stars 3 690 ratings

on becoming babywise giving your infant the gift of nighttime - Oct 28 2022

web buy on becoming babywise giving your infant the gift of nighttime sleep interactive support 2019 edition illustrated by bucknam md isbn 9781932740509 from amazon s book store everyday low prices and free delivery on eligible orders

[on becoming babywise giving your infant the gift of nighttime](#) - Jan 31 2023

web jan 1 2019 on becoming babywise giving your infant the gift of nighttime sleep interactive support robert bucknam 2 5 8 ratings 9 99 publisher description distinguished pediatrician dr robert bucknam m d and co author gary ezzo are two of the world s leading experts on infant management concepts

summary of on becoming baby wise giving your infant the gift - Apr 21 2022

web summary of on becoming baby wise giving your infant the gift of nighttime sleep by gary ezzo robert bucknam md beathan abbey amazon com tr kitap

on becoming baby wise giving your infant the gift of nighttime - Jul 25 2022

web jan 1 2017 on becoming baby wise giving your infant the gift of nighttime sleep paperback january 1 2017 by robert bucknam m d author gary ezzo ma author 4 6 out of 5 stars 462 ratings

on becoming babywise giving your infant the gift of nighttime - Dec 30 2022

web dec 1 2020 on becoming babywise giving your infant the gift of nighttime sleep new edition on becoming kindle edition by bucknam m d robert ezzo m a gary download it once and read it on your kindle device pc phones or tablets

on becoming baby wise giving your infant the gift of nighttime - Jul 05 2023

web for over 20 years on becoming babywise has been the de facto newborn parenting manual for naturally synchronizing your baby s feeding time waketime and nighttime sleep cycles so the whole family can sleep through the night

on becoming babywise giving your infant the gift of booktopia - Feb 17 2022

web apr 1 2017 booktopia has on becoming babywise giving your infant the gift of nighttime sleep by gary ezzo buy a discounted paperback of on becoming babywise online from australia s leading online bookstore fantastic father s day gifts your chance to win shop gifts

on becoming baby wise giving your infant the gift of nighttime - Aug 26 2022

web teaches parents about synchronized feedings so their baby will establish cycles for wake time and nighttime giving both parent and child the rest they need

on becoming babywise giving your infant the gift of nighttime - Apr 02 2023

web on becoming babywise giving your infant the gift of nighttime sleep new edition bucknam m d robert ezzo m a gary amazon com tr kitap Çerez tercihlerinizi seçin Çerez bildirimimizde ayrıntılı şekilde açıklandığı üzere alışveriş yapmanızı sağlamak alışveriş deneyiminizi iyileştirmek ve hizmetlerimizi sunmak

on becoming baby wise giving your infant the gift of nighttime - Mar 21 2022

web part of on becoming 11 books 48 61 51 83 45 87 distinguished pediatrician dr robert bucknam m d and co author gary ezzo are two of the world s leading experts on infant management concepts in this revised 5th edition they have updated their groundbreaking approach which has found favor with over six million parents in all 50

on becoming baby wise giving your infant the gift of n - Sep 26 2022

web feb 1 1993 3 67 15 505 ratings2 274 reviews this book has not been printed in more than 10 years these are only old used copies of the out of print edition that has since been updated into the new white cover edition asin 9781932740509 genres parenting nonfiction self help family

on becoming babywise bucknam m d robert ezzo m a gary - Mar 01 2023

web oct 1 2020 on becoming babywise bucknam m d robert ezzo m a gary on amazon com free shipping on qualifying offers on becoming babywise

on becoming babywise giving your infant the gift of nighttime - Sep 07 2023

web dec 11 2018 on becoming babywise giving your infant the gift of nighttime sleep 2019 edition interactive support

9781932740509 medicine health science books amazon com

on becoming baby wise giving your infant the gift of apple - May 03 2023

web dec 1 2012 the babywise parent directed feeding concept has enough structure to bring security and order to your baby s world yet enough flexibility to give mom freedom to respond to any need at any time it teaches parents how to lovingly guide their baby s day rather than be guided or enslaved to the infant s unknown needs

on becoming babywise giving your infant the gift of nighttime - Jun 23 2022

web buy on becoming babywise giving your infant the gift of nighttime sleep 5 by ezzo gary bucknam robert isbn 9781932740134 from amazon s book store everyday low prices and free delivery on eligible orders

on becoming baby wise giving your infant the gift of nighttime - May 23 2022

web there is a newer edition of this item on becoming babywise giving your infant the gift of nighttime sleep new edition 39 55 3 954 usually dispatched within 6 to 7 days dr robert bucknam m d and co author gary ezzo are two of the world s leading experts on infant management concepts

on becoming baby wise giving your infant the gift of nighttime - Nov 28 2022

web for over 20 years on becoming babywise has been the de facto newborn parenting manual for naturally synchronizing your baby s feeding time waketime and nighttime sleep cycles so the whole family can sleep through the night the authors demonstrate how order and stability are mutual allies of every newborn s metabolism and how parents can take

on becoming baby wise wikipedia - Jun 04 2023

web on becoming baby wise giving your infant the gift of nighttime sleep is a christianity based infant management book written by gary ezzo and pediatrician robert bucknam in 1993 1 baby wise presents an infant care program which the authors say will cause babies to sleep through the night beginning between seven and nine weeks of age

on becoming baby wise giving your infant the gift of nighttime - Aug 06 2023

web feb 1 2012 on becoming baby wise giving your infant the gift of nighttime sleep kindle edition by ezzo gary bucknam md robert download it once and read it on your kindle device pc phones or tablets use features like bookmarks note taking and highlighting while reading on becoming baby wise giving your infant the gift of

new holland 353 nh grinder mixer 07 70 12 92 parts - Jun 12 2023

web 353 nh grinder mixer 07 70 12 92 parts catalog lookup buy new holland parts online save

new holland 353 mixmill for sale farms com - Feb 08 2023

web lot 19 new holland 353 mixall nutrien online ag farm machinery sale yard 16 04 june 2021 3 00 pm syd

lot 19 new holland 353 mixall auctionsplus - Nov 05 2022

web used new holland 353 mixall feeder 400403 available 353 trailing pto driven mixall feeder 12 300

new holland 353 mixall agtrader australia - Jan 07 2023

web browse a wide selection of new and used new holland 353 feed grinders other equipment for sale near you at tractorhouse australia

8mm screen to suit a new holland 353 mixall farm tender - Mar 29 2022

web vadesiz 4 taksit hızlı teslimat İade garantisi açıklama taksit seçenekleri hangi mağazada sitemizde bulunan tüm michael kors Ürün modelleri saat ve saat

new holland 353 feed grinders other equipment for sale - Oct 04 2022

web description vin 843560 horsepower 0 000 body description feed mixer safe working load 0 000 gross combination mass 0 000 gross vehicle mass 0 000 tare 0 000

introduction nh 353 mixall youtube - Aug 14 2023

web may 16 2014 introduction to an australian new holland 353 with rollermill about press copyright contact us creators advertise developers terms privacy policy safety how youtube works

new holland 353 feed mixer feeders mixers wagons new - Apr 29 2022

web new holland 353 mixall pdf introduction new holland 353 mixall pdf full pdf the detox miracle sourcebook robert morse 2012 01 24 the detox miracle sourcebook

new holland 353 mixall farming equipment gumtree - Dec 06 2022

web aug 5 2019 new holland hammer mill making chaff using wheaten hay and barley there are 4 screens including a screen with 1 holes suitable for making chaff for

hammer mill new holland working on hay and barley youtube - Sep 03 2022

web contribute to naicha22 2022 development by creating an account on github

new holland 353 mixall for sale feed and grain mixers for sale - Mar 09 2023

web bought brand new and used solely to clear my property hence no further use measurements are 2400mm long x 1200mm high and the tynes are 25mm wide very

353 dolar kaç türk lirası 353 dolar kaç türk lirası yapar - Nov 24 2021

new holland 353 series ii removed machines4u - Jul 01 2022

web mar 30 2016 8mm screen to suit a new holland 353 mixall location manilla north west slopes plains nsw act 8mm screen to suit a new holland 353 mixall

new holland 353 farm equipment for sale - Jul 13 2023

web browse a wide selection of new and used new holland 353 farm equipment for sale near you at tractorhouse com

[new holland feed mixer and cat tractor youtube](#) - May 11 2023

web new holland 353 mixall for sale find new and used feed and grain mixers for sale in nsw browse through 74 feed and grain mixers listings on agrtrader com au

[michael kors mk5353 kadın kol saati saat ve saat](#) - Dec 26 2021

web jan 8 2021 hours 0 minutes 0 seconds bids all bids are inc gst current 4 500 00 description location have the seller call you important documents terms and

newholland 353 hammer mill auctioncentre com au - Feb 25 2022

web serbest piyasada 353 dolar kaç türk lirası eder ara takipde kalın günlük gelişmeleri takip edebilmek için habertürk uygulamasını indirin

4353 newland st hephzibah ga 30815 realtor com - Oct 24 2021

[2022 sbm new holland 353 mixall and hammer mill md at main](#) - May 31 2022

web new holland 353 mixall hammer mill with spare screens out loading auger concentrates hopper

quik vid mixing feed for cattle with new holland 353 - Apr 10 2023

web new holland 353 mixall agrtrader australia home buy machinery cranes lifting parts wrecking attachments cotton equipment forklifts telehandlers earthmoving

[used new holland 353 mixall feeder konigs](#) - Aug 02 2022

web new holland 353 feed mixer feeders mixers wagons new holland nsw power farming

[newholland 353 hammer mill auction centre](#) - Sep 22 2021

new holland 353 mixall pdf full pdf sdp sustainablefish - Jan 27 2022

web view 21 photos for 4353 newland st hephzibah ga 30815 a 4 bed 3 bath 1 859 sq ft townhomes home built in 2021 that was last sold on 09 28 2022