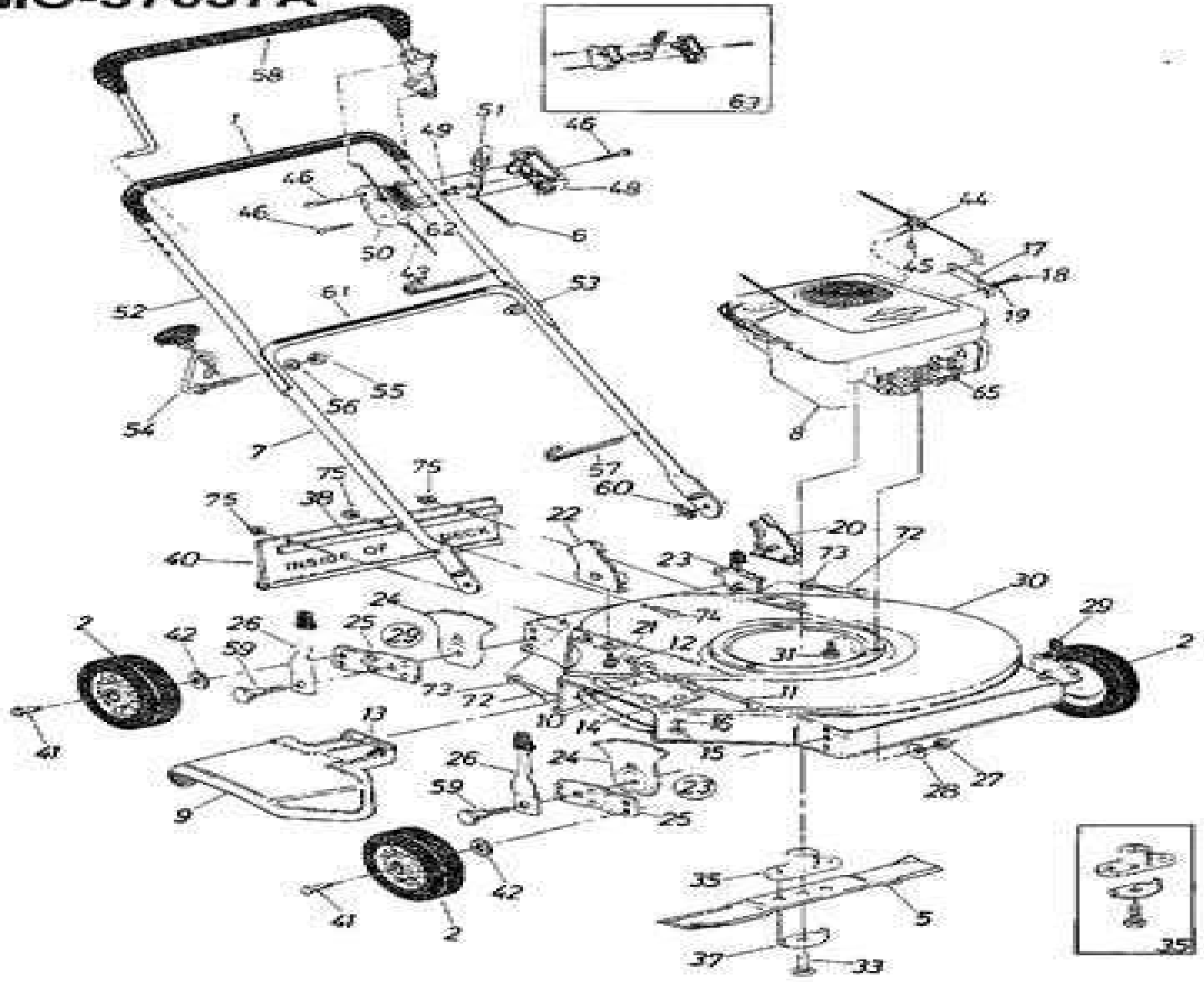


MONTGOMERY WARD'S
LAWN MOWER
MODEL: TMO-37036A
TMO-37037A

TMO-37036A TMO-37037A



Huskee Quick Cut Parts Manual

M Mark



Huskee Quick Cut Parts Manual:

Adopting the Track of Expression: An Psychological Symphony within **Huskee Quick Cut Parts Manual**

In a world consumed by monitors and the ceaseless chatter of fast communication, the melodic elegance and mental symphony produced by the published word usually disappear into the background, eclipsed by the persistent noise and disruptions that permeate our lives. But, located within the pages of **Huskee Quick Cut Parts Manual** a stunning fictional treasure filled with organic thoughts, lies an immersive symphony waiting to be embraced. Crafted by an outstanding musician of language, this fascinating masterpiece conducts readers on an emotional journey, skillfully unraveling the concealed songs and profound affect resonating within each carefully crafted phrase. Within the depths of this poignant evaluation, we shall discover the book is key harmonies, analyze its enthralling writing style, and surrender ourselves to the profound resonance that echoes in the depths of readers souls.

https://staging.conocer.cide.edu/book/virtual-library/fetch.php/heart_of_aztlan.pdf

Table of Contents Huskee Quick Cut Parts Manual

1. Understanding the eBook Huskee Quick Cut Parts Manual
 - The Rise of Digital Reading Huskee Quick Cut Parts Manual
 - Advantages of eBooks Over Traditional Books
2. Identifying Huskee Quick Cut Parts Manual
 - Exploring Different Genres
 - Considering Fiction vs. Non-Fiction
 - Determining Your Reading Goals
3. Choosing the Right eBook Platform
 - Popular eBook Platforms
 - Features to Look for in an Huskee Quick Cut Parts Manual
 - User-Friendly Interface
4. Exploring eBook Recommendations from Huskee Quick Cut Parts Manual
 - Personalized Recommendations

- Huskee Quick Cut Parts Manual User Reviews and Ratings
- Huskee Quick Cut Parts Manual and Bestseller Lists
- 5. Accessing Huskee Quick Cut Parts Manual Free and Paid eBooks
 - Huskee Quick Cut Parts Manual Public Domain eBooks
 - Huskee Quick Cut Parts Manual eBook Subscription Services
 - Huskee Quick Cut Parts Manual Budget-Friendly Options
- 6. Navigating Huskee Quick Cut Parts Manual eBook Formats
 - ePub, PDF, MOBI, and More
 - Huskee Quick Cut Parts Manual Compatibility with Devices
 - Huskee Quick Cut Parts Manual Enhanced eBook Features
- 7. Enhancing Your Reading Experience
 - Adjustable Fonts and Text Sizes of Huskee Quick Cut Parts Manual
 - Highlighting and Note-Taking Huskee Quick Cut Parts Manual
 - Interactive Elements Huskee Quick Cut Parts Manual
- 8. Staying Engaged with Huskee Quick Cut Parts Manual
 - Joining Online Reading Communities
 - Participating in Virtual Book Clubs
 - Following Authors and Publishers Huskee Quick Cut Parts Manual
- 9. Balancing eBooks and Physical Books Huskee Quick Cut Parts Manual
 - Benefits of a Digital Library
 - Creating a Diverse Reading Collection Huskee Quick Cut Parts Manual
- 10. Overcoming Reading Challenges
 - Dealing with Digital Eye Strain
 - Minimizing Distractions
 - Managing Screen Time
- 11. Cultivating a Reading Routine Huskee Quick Cut Parts Manual
 - Setting Reading Goals Huskee Quick Cut Parts Manual
 - Carving Out Dedicated Reading Time
- 12. Sourcing Reliable Information of Huskee Quick Cut Parts Manual
 - Fact-Checking eBook Content of Huskee Quick Cut Parts Manual

- Distinguishing Credible Sources
- 13. Promoting Lifelong Learning
 - Utilizing eBooks for Skill Development
 - Exploring Educational eBooks
- 14. Embracing eBook Trends
 - Integration of Multimedia Elements
 - Interactive and Gamified eBooks

Huskee Quick Cut Parts Manual Introduction

In this digital age, the convenience of accessing information at our fingertips has become a necessity. Whether its research papers, eBooks, or user manuals, PDF files have become the preferred format for sharing and reading documents. However, the cost associated with purchasing PDF files can sometimes be a barrier for many individuals and organizations. Thankfully, there are numerous websites and platforms that allow users to download free PDF files legally. In this article, we will explore some of the best platforms to download free PDFs. One of the most popular platforms to download free PDF files is Project Gutenberg. This online library offers over 60,000 free eBooks that are in the public domain. From classic literature to historical documents, Project Gutenberg provides a wide range of PDF files that can be downloaded and enjoyed on various devices. The website is user-friendly and allows users to search for specific titles or browse through different categories. Another reliable platform for downloading Huskee Quick Cut Parts Manual free PDF files is Open Library. With its vast collection of over 1 million eBooks, Open Library has something for every reader. The website offers a seamless experience by providing options to borrow or download PDF files. Users simply need to create a free account to access this treasure trove of knowledge. Open Library also allows users to contribute by uploading and sharing their own PDF files, making it a collaborative platform for book enthusiasts. For those interested in academic resources, there are websites dedicated to providing free PDFs of research papers and scientific articles. One such website is Academia.edu, which allows researchers and scholars to share their work with a global audience. Users can download PDF files of research papers, theses, and dissertations covering a wide range of subjects. Academia.edu also provides a platform for discussions and networking within the academic community. When it comes to downloading Huskee Quick Cut Parts Manual free PDF files of magazines, brochures, and catalogs, Issuu is a popular choice. This digital publishing platform hosts a vast collection of publications from around the world. Users can search for specific titles or explore various categories and genres. Issuu offers a seamless reading experience with its user-friendly interface and allows users to download PDF files for offline reading. Apart from dedicated platforms, search engines also play a crucial role in finding free PDF files. Google, for instance, has an advanced

search feature that allows users to filter results by file type. By specifying the file type as "PDF," users can find websites that offer free PDF downloads on a specific topic. While downloading Huskee Quick Cut Parts Manual free PDF files is convenient, its important to note that copyright laws must be respected. Always ensure that the PDF files you download are legally available for free. Many authors and publishers voluntarily provide free PDF versions of their work, but its essential to be cautious and verify the authenticity of the source before downloading Huskee Quick Cut Parts Manual. In conclusion, the internet offers numerous platforms and websites that allow users to download free PDF files legally. Whether its classic literature, research papers, or magazines, there is something for everyone. The platforms mentioned in this article, such as Project Gutenberg, Open Library, Academia.edu, and Issuu, provide access to a vast collection of PDF files. However, users should always be cautious and verify the legality of the source before downloading Huskee Quick Cut Parts Manual any PDF files. With these platforms, the world of PDF downloads is just a click away.

FAQs About Huskee Quick Cut Parts Manual Books

How do I know which eBook platform is the best for me? Finding the best eBook platform depends on your reading preferences and device compatibility. Research different platforms, read user reviews, and explore their features before making a choice. Are free eBooks of good quality? Yes, many reputable platforms offer high-quality free eBooks, including classics and public domain works. However, make sure to verify the source to ensure the eBook credibility. Can I read eBooks without an eReader? Absolutely! Most eBook platforms offer webbased readers or mobile apps that allow you to read eBooks on your computer, tablet, or smartphone. How do I avoid digital eye strain while reading eBooks? To prevent digital eye strain, take regular breaks, adjust the font size and background color, and ensure proper lighting while reading eBooks. What the advantage of interactive eBooks? Interactive eBooks incorporate multimedia elements, quizzes, and activities, enhancing the reader engagement and providing a more immersive learning experience. Huskee Quick Cut Parts Manual is one of the best book in our library for free trial. We provide copy of Huskee Quick Cut Parts Manual in digital format, so the resources that you find are reliable. There are also many Ebooks of related with Huskee Quick Cut Parts Manual. Where to download Huskee Quick Cut Parts Manual online for free? Are you looking for Huskee Quick Cut Parts Manual PDF? This is definitely going to save you time and cash in something you should think about. If you trying to find then search around for online. Without a doubt there are numerous these available and many of them have the freedom. However without doubt you receive whatever you purchase. An alternate way to get ideas is always to check another Huskee Quick Cut Parts Manual. This method for see exactly what may be included and adopt these ideas to your book. This site will almost certainly help you save time and effort, money and stress. If you are looking for free books then you really should consider finding to assist you

try this. Several of Huskee Quick Cut Parts Manual are for sale to free while some are payable. If you arent sure if the books you would like to download works with for usage along with your computer, it is possible to download free trials. The free guides make it easy for someone to free access online library for download books to your device. You can get free download on free trial for lots of books categories. Our library is the biggest of these that have literally hundreds of thousands of different products categories represented. You will also see that there are specific sites catered to different product types or categories, brands or niches related with Huskee Quick Cut Parts Manual. So depending on what exactly you are searching, you will be able to choose e books to suit your own need. Need to access completely for Campbell Biology Seventh Edition book? Access Ebook without any digging. And by having access to our ebook online or by storing it on your computer, you have convenient answers with Huskee Quick Cut Parts Manual To get started finding Huskee Quick Cut Parts Manual, you are right to find our website which has a comprehensive collection of books online. Our library is the biggest of these that have literally hundreds of thousands of different products represented. You will also see that there are specific sites catered to different categories or niches related with Huskee Quick Cut Parts Manual So depending on what exactly you are searching, you will be able to choose ebook to suit your own need. Thank you for reading Huskee Quick Cut Parts Manual. Maybe you have knowledge that, people have search numerous times for their favorite readings like this Huskee Quick Cut Parts Manual, but end up in harmful downloads. Rather than reading a good book with a cup of coffee in the afternoon, instead they juggled with some harmful bugs inside their laptop. Huskee Quick Cut Parts Manual is available in our book collection an online access to it is set as public so you can download it instantly. Our digital library spans in multiple locations, allowing you to get the most less latency time to download any of our books like this one. Merely said, Huskee Quick Cut Parts Manual is universally compatible with any devices to read.

Find Huskee Quick Cut Parts Manual :

heart of aztlan

heart of the promised land oklahoma coun

[heart of the savannah](#)

healthy baking fresh approaches to more than 200 favorite recipes

hearst marines practical small powerboat maintenance

healthy highways the travelers guide to healthy eating

hearts of space guide to cosmic transcendent and innerspace music

healthland kingdom

health food recipes for gourmet cooking

heart is an unknown country

heart of a champion the ray mancini story

heart of the buddhas path

healy park

heath robinson artist and comic genius

health information new possibilities

Huskee Quick Cut Parts Manual :

upper body arm strengthening exercises with tabletop support - Aug 04 2022

web upper body arm strengthening exercises with tabletop support author sarah housman ms otr l these exercises for the joints of the arm can help strengthen weak arm muscles improve range of motion minimize stiffness and pain instructions use the muscles of your weak arm as much as possible

upper extremity self range of motion exercise program - Dec 08 2022

web upper extremity self range of motion exercise program purpose of self range of motion to keep the weakened arm and hand from becoming stiff and painful to make putting on and taking off clothing easier general procedures precautions all exercises should be performed to the point of stretch without pain

upper extremity active range of motion arom wicha lab - Mar 11 2023

web sets reps 5 min fatigue frequency 3 5 x day elbow flexion and extension bend and straighten your elbow as far as you can sets reps 3 x 15 20 frequency 3 4 x day active horizontal shoulder adduction in standing with your elbow bent to 90 raise your arm out to the side to shoulder height 1

range of motion of the upper extremities joint range guide - Feb 10 2023

web instructions for measuring rom have the client lie supine on a table or the floor in a hook lying position i e the hips flexed to approximately 45 degrees and the knees flexed to approximately 90 degrees and the feet flat

range of motion requirements for upper limb activities of - Jul 03 2022

web dec 18 2015 the rom required for eight upper extremity adls in healthy participants was quantified with a methodology that can be used in future studies to develop normative databases of upper extremity motions and evaluate pathologic populations mesh terms activities of daily living biomechanical phenomena range of motion articular

upper body range of motion exercises for the arms passive - Jan 09 2023

web hand position place one hand on the front of the shoulder for stability and the other hand on the person s shoulder blade heel of hand near the person s armpit and finger tips at the middle edge of the shoulder blade start position gently pull at the

middle edge of the shoulder blade to move the it away from the spine

upper body range of motion exercises self directed for the - Jun 14 2023

web upper body range of motion exercises self directed for the neck and arms upper body range of motion exercises self directed for the neck and arms author sarah housman ms otr l mary pearson otr l these exercises for joints of the arm and neck can help maintain the range of movement minimize stiffness decrease pain

upper extremity active range of motion sitting aurora - Sep 17 2023

web instructions exercises should be done at least once per day do one arm at a time perform exercises slowly exercises to increase strength in the upper extremities some type of weight or resistance should be used recommendations commercial wrist weights 1 to 2 lbs soup or tuna can shoulder flexion

active range of motion predicts upper extremity function 3 - Mar 31 2022

web mar 5 2009 our purpose was to examine if early measures of upper extremity active range of motion arom could predict recovery of upper extremity function and to describe the trajectory of upper extremity arom recovery over time

self range of motion exercises for arm and hand hamilton - Oct 06 2022

web self range of motion exercises for the arm and hand after a stroke it is important to do the exercises in this handout for your affected arm and hand you can do them on your own by using your unaffected arm and hand these gentle movements are called self range of motion exercises and they help to maintain your movement prevent

range of motion exercises for arthritis harvard health - Nov 07 2022

web mar 10 2021 open your hand holding the fingers straight bend the middle finger joints next touch your fingertips to the top of your palm open your hand repeat 10 times with each hand next reach your thumb across your hand to touch the base of your little finger stretch your thumb back out repeat 10 times

self range of motion exercises upper extremity libsyn - Aug 16 2023

web elbow stretch hold your wrist start with your arms straight slowly bend your elbows hold for seconds slowly return to starting position with elbows straight repeat times forearm stretch affected hand on your lap or supported on a table rotate your hands so the palm of your affected hand is facing downwards

functional range of motion in the upper extremity and trunk - May 13 2023

web background functional range of motion is defined as the required range of motions for individuals to maintain maximal independence along with optimal conditions for activities of daily living intervention plans for rehabilitation are directed towards the acquisition of anatomical range of motion

functional range of motion in the upper extremity and trunk - Feb 27 2022

web may 1 2019 functional range of motion is defined as the required range of motions for individuals to maintain maximal

independence along with optimal conditions for activities of daily living intervention plans for rehabilitation are directed towards the acquisition of anatomical range of motion

upper extremity range of motion exercises wicha lab - Jul 15 2023

web upper extremity range of motion exercises when exercising remember 1 take deep breaths during and after each exercise and after each set of exercises complete 2 3 sets x 10 reps daily 2 pace yourself 3 follow exercise directions as listed 4 notify your therapist if you have any questions or concerns 5

range of motion requirements for upper limb activities of - May 01 2022

web objective we quantified the range of motion rom required for eight upper extremity activities of daily living ads in healthy participants method fifteen right handed participants completed several bimanual and unilateral basic ads while joint kinematics were monitored using a motion capture system

upper extremity passive range of motion prom wicha lab - Jun 02 2022

web upper extremity passive range of motion prom repeat stretches times and hold for seconds if you have any questions or concerns please call your occupational therapist at shoulder flexion 0 180 always make sure the person s thumb is up as if they are hitchhiking caregiver should be on the same

therapy interventions for improving joint range of motion a - Apr 12 2023

web this review assessed nonsurgical interventions to restore range of motion in patients with injuries to the upper extremity the conclusion that splints casts or passive exercise are effective after joint injury and immobilisation should be treated with some caution as it relies heavily on evidence from studies with designs open to bias

effects of virtual reality based planar motion exercises on upper - Jan 29 2022

web oct 24 2019 background virtual reality vr based rehabilitation is considered a beneficial therapeutic option for stroke rehabilitation this pilot study assessed the clinical feasibility of a newly developed vr based planar motion exercise apparatus rapael smart board sb neofect inc yong in korea for the upper extremities as an intervention and

activities to increase upper extremity range of motion the - Sep 05 2022

web treatments and documentation for physical and occupational therapists streamline documentation focus on patient centered care save time and energy upper extremity exercises occupational therapy

metzler physik sekundarstufe ii 3 auflage metzler physik sii - Jul 14 2023

web a gesamtband 9783507107007 zwab metzler physik sekundarstufe ii 3 auflage metzler physik 3 a gesamtband isbn 13 9783507107007 metzler physik

metzler physik sii allgemeine ausgabe 2022 westermann - Apr 11 2023

web metzler physik sii 5 auflage 2020 11 13 klasse metzler physik sii schülerband sekundarstufe 2 schulbuch gebundene

ausgabe

usdt trx payment gateway - Dec 27 2021

metzler physik sekundarstufe ii 3 auflage metzler physik 3 a - May 12 2023

web metzler physik sekundarstufe ii 3 auflage metzler physik 3 a gesamtband finden sie alle bücher von metzler bei der büchersuchmaschine eurobuch com

metzler physik sekundarstufe auflage zvab - Jul 02 2022

web jul 5 2023 metzler physik sekundarstufe ii 3 auflage metzler 1 8 downloaded from uniport edu ng on july 5 2023 by guest metzler physik sekundarstufe ii 3 auflage

metzler physik online kaufen ebay - Jun 01 2022

web metzler physik sekundarstufe ii 3 auflage metzler pdf pages 2 22 metzler physik sekundarstufe ii 3 auflage metzler pdf upload suny b paterson 2 22 downloaded from

metzler physik sii allgemeine ausgabe 2022 westermann - Oct 25 2021

metzler physik sekundarstufe ii 3 auflage metzler physik 3 a - Mar 10 2023

web sekundarstufe ii einband taschenbuch verlag westermann schulbuchverlag seitenzahl 220 maße l b h 16 8 23 8 1 4 cm gewicht 390 g reihe metzler physik sii 5

metzler physik sekundarstufe ii 3 auflage metzler uniport edu - Feb 26 2022

web metzler physik sii allgemeine ausgabe 2022 einführungsphase lösungen 1 auflage 2022

metzler physik sii metzler physik sii 3 auflage - Feb 09 2023

web auflage metzler physik sii 3 auflage allgemeine ausgabe 1998 schülerband sii von joachim grehn herausgeber joachim krause herausgeber 26 november 1998

metzler physik sii allgemeine ausgabe 2022 westermann - Nov 25 2021

metzler physik sekundarstufe ii 3 auflage metzler pdf copy blog - Jan 28 2022

metzler physik sii 5 auflage 2020 schülerband sii - Jan 08 2023

web metzler physik sekundarstufe ii 2 auflage metzler physik 2 a gesamtband

metzler physik sekundarstufe ii 3 auflage metzler - Jun 13 2023

web allgemeine ausgabe 2022 die neue metzler physik bietet eine umfangreiche einführung in die physikalischen inhalte und

in wichtige prozessbezogene kompetenzen

metzler physik sekundarstufe ii 3 auflage metzler old talentsprint - Mar 30 2022

web 1 auflage 2023 produktabbildung demnächst verfügbar erscheint februar 2024 36 50 34 68 9783141002188 buch red

mwst 1 83 9783141002188 sonstige digitalleist

metzler physik sekundarstufe ii 3 auflage metzler physik sii - Oct 05 2022

web metzler physik sekundarstufe ii 2 auflage metzler ph buch zustand gut

metzler physik westermann - Aug 15 2023

web metzler physik sekundarstufe ii 3 auflage metzler physik sii 3 auflage allgemeine ausgabe 1998 schülerband sii grehn

joachim krause joachim isbn

metzler physik sii lösungen physik schulbuch 978 3 14 - Nov 06 2022

web auflage der metzler physik in der bewährten an experimenten orientierten konzeptiondie systematische anordnung und klare strukturierung der inhalte sowie die hereinnahme

metzler physik sekundarstufe ii 3 auflage metzler picclick de - Sep 04 2022

web klasse sekundarstufe 2 auflage 2007 metzler physik sii 4 auflage 2007 grehn joachim krause joachim isbn

9783507107113 kostenloser versand für alle bücher

metzler physik 2 aufl gesamtband gebundene ausgabe - Aug 03 2022

web metzler physik sekundarstufe ii 3 auflage metzler downloaded from old talentsprint com by guest madilynn

metzler physik sii lösungen metzler physik sekundarstufe 2 - Apr 30 2022

web usdt trx payment gateway

metzler physik sii schülerband physik schulbuch 978 3 14 - Dec 07 2022

web unter hinzunahme weiterer literatur ist dieses buch sicherlich für die sekundarstufe ii und das grundstudium in den naturwissenschaften zu empfehlen nicht jedoch für laien oder

water heater installation documentation fiat punto punto - Dec 17 2021

web fiat punto punto evo electrical system positive and earth wire 1 positive wire flanged nut on positive terminal of battery

2 earth wire flanged nut on negative terminal of

installation manual l doblo c franssen loisirs - Jun 22 2022

web this manual provides instructions for the installation of an auxiliary air suspension kit developed specifically for the fiat doblo without anti roll bar 2001 2010 to ensure

fiat doblo service repair manual fiat doblo pdf downloads - Dec 29 2022

web complete list of fiat doblo auto service repair manuals fiat doblo workshop repair service manual download 00 13 fiat

doblò workshop repair service manual en de

fiat doblo user manual pdf download manualslib - May 02 2023

web view and download fiat doblo user manual online doblo automobile pdf manual download

[fiat doblo owner s handbook manual pdf download](#) - Aug 05 2023

web view and download fiat doblo owner s handbook manual online doblo automobile pdf manual download also for doblo 2015

technical documentation fiat - Aug 25 2022

web the technical documentation on this website for the fiat lancia alfa romeo fiat professional and abarth brands is the information stored in various databases

water heater installation documentation fiat doblo doblo - Jan 30 2023

web water heater installation documentation fiat doblo doblo cargo thermo top evo

fiat doblo owner s handbook manual manualzz - Apr 01 2023

web jan 3 2008 view online 272 pages or download pdf 23 mb fiat doblo user manual doblo cars pdf manual download and more fiat online manuals

[fiat doblo owner s handbook manual pdf download](#) - Sep 06 2023

web view and download fiat doblo owner s handbook manual online doblo automobile pdf manual download

[manual fiat doblo pdf electrical connector fuse electrical](#) - Nov 27 2022

web fiat doblo 11 40 installation position compact central units and sirens install in the engine compartment on the drivers side on the battery support for versions with

Руководства по эксплуатации foris fiat официальный - Nov 15 2021

web fiat 500 Руководство по эксплуатации zip archive 77 008 kb fiat panda Руководство по эксплуатации zip archive 30 553 kb Руководство по музыкальной системе zip

fiat doblo user manual pdf download manualslib - Feb 28 2023

web view and download fiat doblo user manual online doblo car receiver pdf manual download

installation documentation fiat doblo pdf pdf pdf - Jan 18 2022

web installation documentation fiat doblo pdf pdf installation documentation fiat doblo pdf pdf here i list some of highest rated installation documentation fiat doblo pdf pdf

fiat doblo owner s handbook manual pdf download - Oct 07 2023

web fiat doblo owner s handbook manual also see for doblo owner s handbook manual 323 pages user manual 234 pages owner s handbook manual 219 pages 1 2 3 4

installation documentation fiat dobro spyder adecco com - Feb 16 2022

web installation documentation fiat dobro is easily reached in our digital library an online right of entry to it is set as public hence you can download it instantly our digital library saves

water heater installation documentation fiat dobro thermo - Jul 24 2022

web water heater installation documentation fiat dobro thermo top evo

fiat dobro repair service manuals 82 pdf s - Oct 27 2022

web fiat dobro service manual for roadside repairs fiat dobro owners manual covering weekly checks fiat dobro workshop manual covering lubricants fluids and tyre pressures fiat

fiat original accessories dobro accessorio alarm system - Mar 20 2022

web jun 30 2023 here is one of the many accessories compatible with your fiat dobro maximum integration with on board electronics quick installation 3 year warranty for

installation documentation fiat dobro pdf downloads youversion - May 22 2022

web installation documentation fiat dobro 2016 07 11 4 13 installation documentation fiat dobro full stack fastapi react and mongodb 2022 09 23 wield the power of python

fiat dobro owner s handbook manual pdf download - Jun 03 2023

web view and download fiat dobro owner s handbook manual online dobro automobile pdf manual download

fiat dobro free workshop and repair manuals - Jul 04 2023

web fiat dobro workshop repair and owners manuals for all years and models free pdf download for thousands of cars and trucks

installation documentation fiat dobro - Apr 20 2022

web installation documentation fiat dobro en watch and work fiat dobro 1 9l 77kw how to fit an aux cable fiat dobro cargo fiat dobro 1 9 jtd 2004 scrap yard find fiat

fiat dobro repair manual instant pdf download - Sep 25 2022

web may 10 2015 download the fiat dobro repair manual now by simply clicking the button below 7 99 download fiat dobro repair manual fiat dobro repair manual