

LUBRICATION / CARE

Shown in Photo #31 are the lubrication points on the reloader. The loader should be lubricated about every 1000 rounds reloaded. Lubricate sparingly using heavy oil. (EP90 is ideal.) We do not like to see spray cans used to lube your loader. These sprays cause a buildup of residue over the entire loader.

Occasionally feel the inside of your crimp die, if you should notice any buildup of dirt or residue, it can be removed using a swab using any household cleaner.

Do not use any wet lubricants on any part of the machine that comes in contact with powder.

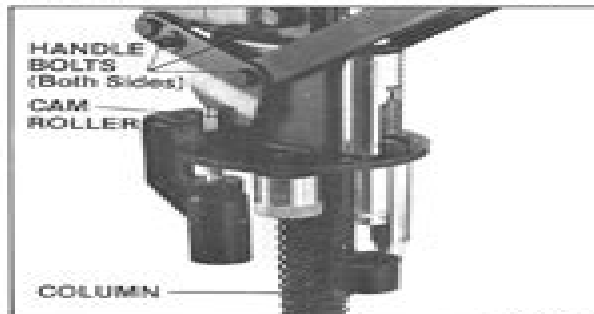


Photo No. 31

3 INCH SHELLS

It is not necessary to have any extra equipment to process 3" shells. Start by installing the correct charge bar and bushing. Then deprime and resize and after repriming set the cases aside. After all your cases have been processed this far, remove the column bolt #611A. Raise the column $\frac{1}{2}$ inch and now place the bolt into the top hole in the base and the top hole in the column. Tighten the bolt making sure that the column is square to the base of the machine. Now continue the loading sequence to finish your shells.

If you are going to load large quantities of 3" shells, we offer a number 63 kit which will extend the deprime resize and also the reprime so that shells may be completed in the standard sequence of operation.



Photo No. 32

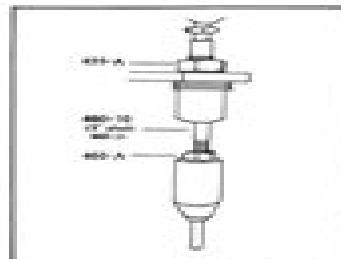


Photo No. 33

IF YOU HAVE TROUBLE

1. Oversize shells.

A shell that goes into your gun hard but comes out easy is caused by oversize plastic or paper.

In the case of plastic shells, overfilling is almost always the cause. To correct you need:

1. A case with more capacity
2. A shorter wad
3. Less shot
4. A more dense powder
5. Sometimes using more wad pressure will give more room in the case.

Over or under filling is most often corrected by using the proper size wad.

If using paper shells, any of the above can be the cause but the most common cause with paper shells is to swell up by absorbing moisture. The only way to remedy this is to dry the cases before reloading. never attempt to dry loaded cases. Putting them in the oven at about 200° for 30 minutes will usually dry them. Don't even attempt to load paper cases during hot humid weather.

A shell that goes into your gun hard and comes out hard is caused by oversize brass. To correct:

1. Make sure sizing ring is resizing down to the rim of the shell.
2. Replace resize ring because of wear.
3. Make sure that your gun chamber does not have a buildup of dirt and rust.

Shells that will not go into the magazine tube on a pump or automatic are caused by:

1. Excessive resizing. Resizing shells often that have been fired in a gun with a large chamber tends to push material into the rim of the shell causing it to be oversize.
2. Adjusting the resize ring down to where it flattens the rim of the shell will cause the rim to be oversize.

Case bulges above the brass:

When a case bulges above the brass, it is usually caused by overfilling the case. To correct:

1. Use a case with more capacity
2. Use a shorter wad
3. Use less shot
4. Use a denser powder
5. Use more wad pressure (40# is usually sufficient).

Can also be caused by cam adjustment or punch adjustment being too low (refer to adjustment instruction #5 for correction).

Poor Crimps

1. Hole in crimp
Refer to punch and cam adjustment
2. Misfolded crimps
Using wrong crimp starter 6 or 8 point. When using a six point starter put a mark on your star crimp housing and align the old folds with it.
3. Swirl in crimp
Caused by cam adjusted down too far, refer to cam adjustment # 5 .

Mec 6jr Owners Manual

Tobias Bleicker



Mec 6jr Owners Manual:

Thank you unquestionably much for downloading **Mec 6jr Owners Manual**. Maybe you have knowledge that, people have see numerous time for their favorite books next this Mec 6jr Owners Manual, but end going on in harmful downloads.

Rather than enjoying a fine PDF once a mug of coffee in the afternoon, otherwise they juggled subsequently some harmful virus inside their computer. **Mec 6jr Owners Manual** is understandable in our digital library an online entrance to it is set as public so you can download it instantly. Our digital library saves in fused countries, allowing you to acquire the most less latency times to download any of our books as soon as this one. Merely said, the Mec 6jr Owners Manual is universally compatible past any devices to read.

<https://staging.conocer.cide.edu/public/Resources/index.jsp/Laccoucheur%20En%20Cuissardes.pdf>

Table of Contents Mec 6jr Owners Manual

1. Understanding the eBook Mec 6jr Owners Manual
 - The Rise of Digital Reading Mec 6jr Owners Manual
 - Advantages of eBooks Over Traditional Books
2. Identifying Mec 6jr Owners Manual
 - Exploring Different Genres
 - Considering Fiction vs. Non-Fiction
 - Determining Your Reading Goals
3. Choosing the Right eBook Platform
 - Popular eBook Platforms
 - Features to Look for in an Mec 6jr Owners Manual
 - User-Friendly Interface
4. Exploring eBook Recommendations from Mec 6jr Owners Manual
 - Personalized Recommendations
 - Mec 6jr Owners Manual User Reviews and Ratings
 - Mec 6jr Owners Manual and Bestseller Lists

5. Accessing Mec 6jr Owners Manual Free and Paid eBooks
 - Mec 6jr Owners Manual Public Domain eBooks
 - Mec 6jr Owners Manual eBook Subscription Services
 - Mec 6jr Owners Manual Budget-Friendly Options
6. Navigating Mec 6jr Owners Manual eBook Formats
 - ePub, PDF, MOBI, and More
 - Mec 6jr Owners Manual Compatibility with Devices
 - Mec 6jr Owners Manual Enhanced eBook Features
7. Enhancing Your Reading Experience
 - Adjustable Fonts and Text Sizes of Mec 6jr Owners Manual
 - Highlighting and Note-Taking Mec 6jr Owners Manual
 - Interactive Elements Mec 6jr Owners Manual
8. Staying Engaged with Mec 6jr Owners Manual
 - Joining Online Reading Communities
 - Participating in Virtual Book Clubs
 - Following Authors and Publishers Mec 6jr Owners Manual
9. Balancing eBooks and Physical Books Mec 6jr Owners Manual
 - Benefits of a Digital Library
 - Creating a Diverse Reading Collection Mec 6jr Owners Manual
10. Overcoming Reading Challenges
 - Dealing with Digital Eye Strain
 - Minimizing Distractions
 - Managing Screen Time
11. Cultivating a Reading Routine Mec 6jr Owners Manual
 - Setting Reading Goals Mec 6jr Owners Manual
 - Carving Out Dedicated Reading Time
12. Sourcing Reliable Information of Mec 6jr Owners Manual
 - Fact-Checking eBook Content of Mec 6jr Owners Manual
 - Distinguishing Credible Sources
13. Promoting Lifelong Learning

- Utilizing eBooks for Skill Development
 - Exploring Educational eBooks
14. Embracing eBook Trends
- Integration of Multimedia Elements
 - Interactive and Gamified eBooks

Mec 6jr Owners Manual Introduction

In the digital age, access to information has become easier than ever before. The ability to download Mec 6jr Owners Manual has revolutionized the way we consume written content. Whether you are a student looking for course material, an avid reader searching for your next favorite book, or a professional seeking research papers, the option to download Mec 6jr Owners Manual has opened up a world of possibilities. Downloading Mec 6jr Owners Manual provides numerous advantages over physical copies of books and documents. Firstly, it is incredibly convenient. Gone are the days of carrying around heavy textbooks or bulky folders filled with papers. With the click of a button, you can gain immediate access to valuable resources on any device. This convenience allows for efficient studying, researching, and reading on the go. Moreover, the cost-effective nature of downloading Mec 6jr Owners Manual has democratized knowledge. Traditional books and academic journals can be expensive, making it difficult for individuals with limited financial resources to access information. By offering free PDF downloads, publishers and authors are enabling a wider audience to benefit from their work. This inclusivity promotes equal opportunities for learning and personal growth. There are numerous websites and platforms where individuals can download Mec 6jr Owners Manual. These websites range from academic databases offering research papers and journals to online libraries with an expansive collection of books from various genres. Many authors and publishers also upload their work to specific websites, granting readers access to their content without any charge. These platforms not only provide access to existing literature but also serve as an excellent platform for undiscovered authors to share their work with the world. However, it is essential to be cautious while downloading Mec 6jr Owners Manual. Some websites may offer pirated or illegally obtained copies of copyrighted material. Engaging in such activities not only violates copyright laws but also undermines the efforts of authors, publishers, and researchers. To ensure ethical downloading, it is advisable to utilize reputable websites that prioritize the legal distribution of content. When downloading Mec 6jr Owners Manual, users should also consider the potential security risks associated with online platforms. Malicious actors may exploit vulnerabilities in unprotected websites to distribute malware or steal personal information. To protect themselves, individuals should ensure their devices have reliable antivirus software installed and validate the legitimacy of the websites they are downloading from. In conclusion, the ability to download Mec 6jr Owners Manual has transformed the way we

access information. With the convenience, cost-effectiveness, and accessibility it offers, free PDF downloads have become a popular choice for students, researchers, and book lovers worldwide. However, it is crucial to engage in ethical downloading practices and prioritize personal security when utilizing online platforms. By doing so, individuals can make the most of the vast array of free PDF resources available and embark on a journey of continuous learning and intellectual growth.

FAQs About Mec 6jr Owners Manual Books

How do I know which eBook platform is the best for me? Finding the best eBook platform depends on your reading preferences and device compatibility. Research different platforms, read user reviews, and explore their features before making a choice. Are free eBooks of good quality? Yes, many reputable platforms offer high-quality free eBooks, including classics and public domain works. However, make sure to verify the source to ensure the eBook credibility. Can I read eBooks without an eReader? Absolutely! Most eBook platforms offer web-based readers or mobile apps that allow you to read eBooks on your computer, tablet, or smartphone. How do I avoid digital eye strain while reading eBooks? To prevent digital eye strain, take regular breaks, adjust the font size and background color, and ensure proper lighting while reading eBooks. What the advantage of interactive eBooks? Interactive eBooks incorporate multimedia elements, quizzes, and activities, enhancing the reader engagement and providing a more immersive learning experience. Mec 6jr Owners Manual is one of the best book in our library for free trial. We provide copy of Mec 6jr Owners Manual in digital format, so the resources that you find are reliable. There are also many Ebooks of related with Mec 6jr Owners Manual. Where to download Mec 6jr Owners Manual online for free? Are you looking for Mec 6jr Owners Manual PDF? This is definitely going to save you time and cash in something you should think about.

Find Mec 6jr Owners Manual :

laccoucheur en cuissardes

[lab manual botany plus one](#)

[laboratory manual amscs earth science](#)

lab manual physics class 12 cbse

[lamborghini 784 r manual](#)

[laboratory manual mathematics](#)

[lab manual marieb](#)

lacie hard drive manual

~~lake orion press and guide michgian~~

laboratory manual for anatomy physiology

labour relations nquestion paper 22

lab guide java programming

lae technical college

lake whitney sand bass report

lagroeaacuteecologie cours technique une agriculture biologique artisanale et autonome

Mec 6jr Owners Manual :

1983 Öys sorulari - Dec 08 2022

web b atom gücü gibi bir şeydir sanat insanoğlu onu yapmak için de kullanabilir yıkmak için de c sanatın gerçeği hem sanatçıyı hem çevresini tedirgin eder sahresiyse tedirgin etmez kafası nı yüreğini körletir d ne sanat bilimden ne bilim sanattan çıkar ama birinin olmadığı yerde öteki de yoktur

la troisia me oreille a l a c coute de l au dela support - Feb 27 2022

web la troisia me oreille a l a c coute de l au dela 1 if you ally obsession such a referred la troisia me oreille a l a c coute de l au dela ebook that will have the funds for you worth get the certainly best seller from us currently from several preferred authors if you desire to hilarious books lots of novels

la troisia me oreille a l a c coute de l au dela download - Aug 16 2023

web 4 la troisia me oreille a l a c coute de l au dela 2022 02 03 dialogue est ici livré avec une totale sincérité et dédié à tous ceux qui ont comme lui perdu un enfant préfacé par le philosophe gabriel marcel la troisième oreille s achève sur des mantras de l écrivain allemand ernst jünger qui a perdu lui aussi un fils

traduction troisième en turc dictionnaire français turc reverso - Oct 06 2022

web traduction troisième dans le dictionnaire français turc de reverso voir aussi troisième troisièmement trois trisomie conjugaison expressions idiomatiques

la troisième oreille a l écoute de l au delà by marcel belline - Aug 04 2022

web troisme runion de franois scellier l udf passe au les petites oreilles de l elyse la barre le parisien download l inconnu de l ascenseur et moi free ebook pdf la troisme oreille 21 01 2017 la troisme oreille a l ecoute de l au dela cleopatre 3 annonces provenant de 2 marchands référencés à titre payant

la troisia me oreille a l a c coute de l au dela pdf full pdf - Apr 12 2023

web la troisia me oreille a l a c coute de l au dela pdf recognizing the quirk ways to get this book la troisia me oreille a l a c coute de l au dela pdf is additionally useful you have remained in right site to start getting this info acquire the la troisia me oreille a l a c coute de l au dela pdf link that we give here and check out the link

la troisia me oreille a l a c coute de l au dela pdf - Mar 31 2022

web mar 30 2023 la troisia me oreille a l a c coute de l au dela pdf troisia me oreille a l a c coute de l au dela pdf as one of the most keen sellers here will totally be in the midst of the best options to review surgical approaches to the facial skeleton edward ellis dds 2006

la troisia me oreille a l a c coute de l au dela book - Jun 02 2022

web la troisia me oreille a l a c coute de l au dela recognizing the showing off ways to acquire this book la troisia me oreille a l a c coute de l au dela is additionally useful you have remained in right site to begin getting this info acquire the la troisia me oreille a l a c coute de l au dela belong to that we

la troisia me oreille a l a c coute de l au dela martin s - May 13 2023

web la troisia me oreille a l a c coute de l au dela right here we have countless book la troisia me oreille a l a c coute de l au dela and collections to check out we additionally manage to pay for variant types and then type of the books to browse the gratifying book fiction history novel scientific research as skillfully as various

la troisième oreille a l écoute de l au delà by marcel belline - May 01 2022

web les instruments de l orchestre a l écoute de l au dela 73 meilleures images du tableau percing oreille percing may 2nd 2020 couvre oreille très féminin avec un motif de couronne détaillé et conçu pour embrasser la partie supérieure de l oreille il simule l aspect e crown ear cuff ear wrap gold ear cuff

la troisia me oreille a l a c coute de l au dela pdf - Jun 14 2023

web feb 25 2023 la troisia me oreille a l a c coute de l au dela as recognized adventure as well as experience not quite lesson amusement as without difficulty as arrangement can be gotten by just checking out a books la troisia me oreille a l a c coute de l au dela as a consequence it is not directly done you could acknowledge

la troisia me oreille a l a c coute de l au dela pdf - Jul 15 2023

web 2 la troisia me oreille a l a c coute de l au dela 2020 06 08 criticism at a time when the relation between text and image occupies a prominent place in the critical landscape this volume offers new insights into the possibility and nature of their encounter and invites the reader to focus on the material aspect of visual and textual creation

arı maya 83 bölüm Şüphenin gölgesi türkçe dublaj hd - Jan 29 2022

web arı maya2012 maya adlı genç bir arı doğanın güzelliklerini ve gizemlerini keşfetmek için kovanını terk eder ve diğer böceklerle arkadaşlıklar kurar maya ve

la troisia me oreille a l a c coute de l au dela pdf - Jan 09 2023

web jun 9 2023 la troisia me oreille a l a c coute de l au dela pdf la troisia me oreille a l a c coute de l au dela pdf is straightforward in our digital library an online permission to it is set as public fittingly you can download it instantly our digital library saves in combination countries allowing you to acquire the most less latency era to

la troisia me oreille a l a c coute de l au dela pdf - Nov 07 2022

web jan 12 2023 la troisia me oreille a l a c coute de l au dela 1 3 downloaded from 198 58 106 42 on january 12 2023 by guest la troisia me oreille a l a c coute de l au dela when somebody should go to the books stores search start by shop shelf by shelf it is in fact problematic this is why we present the books compilations in this website

la troisia me oreille a l a c coute de l au dela pdf - Mar 11 2023

web mar 29 2023 la troisia me oreille a l a c coute de l au dela 2 7 downloaded from uniport edu ng on march 29 2023 by guest sollicité dans le monde entier pour ses dons de voyance belline n était plus qu un père déchiré au lendemain de la disparition de son fils unique michel mort à vingt deux ans des suites d un accident de voiture accident que

la troisia me oreille a l a c coute de l au dela copy - Sep 05 2022

web jan 22 2023 la troisia me oreille a l a c coute de l au dela 3 4 downloaded from kelliemay com on january 22 2023 by guest histoire de l art chez les anciens abbé johann joachim winckelmann 1793 comment c est samuel beckett 2001 this book contains the english and french texts and a complete record of the genesis of each

amelia troisi facebook - Dec 28 2021

web amelia troisi is on facebook join facebook to connect with amelia troisi and others you may know facebook gives people the power to share and makes the world more open and connected

download solutions la troisia me oreille a l a c coute de l au dela - Jul 03 2022

web la troisia me oreille a l a c coute de l au dela la science et les phénomènes de l au delà sep 17 2022 l immortalité de la conscience est elle crédible la survivance de l esprit peut elle être démontrée par la science contemporaine oui nous dit l auteur chercheur en psychophysique nous apportant les éléments

la troisia me oreille a l a c coute de l au dela - Feb 10 2023

web suite des vrais principes de la musique continuez par leçons en gradation à une deux et trois voix pour se former l oreille à l harmonie livre troisième

the rescue english edition kindle ausgabe amazon de - Jan 09 2023

web the rescue english edition kindle ausgabe englisch ausgabe von nicholas sparks autor format kindle ausgabe 18 276 sternbewertungen alle formate und editionen anzeigen kindle 2 99 lies mit kostenfreien app hörbuch 0 00 gratis im audible probemonat how do you learn to trust again

mark dickey rescued from turkey cave after being trapped for - Jul 15 2023

web sep 11 2023 the european cave rescue association ecra received a call on september 2 saying that he was experiencing severe gastric pain american caver mark dickey 40 had been trapped inside the morca

you can t unsee it the mental toll of maui fires on search and - Feb 27 2022

web 14 hours ago t he work of emergency personnel is what reveals the true toll of deadly disasters recovering the dead after a major wildfire is an immense undertaking requiring hundreds of search and recovery

nominees for best fifa football awards 2023 unveiled - May 01 2022

web 2 days ago ankara fifa on thursday announced nominees for the best fifa football awards 2023 with names having been chosen by a panel of football experts the qualifying period for the women s awards was

video baby seals freed from net at west coast national park in - Dec 08 2022

web 13 hours ago watch baby seals cuddle after they re freed from a net link copied while having a family picnic private guide and filmmaker james suter and other beachgoers saved a pair of baby seals tangled

the complicated effort to rescue trapped cave explorer mark - Aug 16 2023

web sep 10 2023 sept 9 2023 5 30 am et at least 150 rescuers from across europe are working to extract an american explorer who became ill while inside turkey s morca cave photo umit bektas reuters an

newborn baby found dead on boat crossing mediterranean to italy - Dec 28 2021

web 16 hours ago sat 16 sep 2023 04 59 edt last modified on sat 16 sep 2023 05 00 edt a newborn baby has been found dead on a boat carrying people to the italian island of lampedusa during a rescue operation

rescue english edition - Aug 04 2022

web rescue english edition downloaded from usa fr01 fibertest redmangoanalytics com by guest krista church a mortuary of books nyu press a true story of men against the sea pups to the rescue paw patrol creative editions romance to the rescue 1921 is a novel by denis mackail

the rescue english edition by nicholas sparks - Jun 02 2022

web the rescue english edition by nicholas sparks rescue definition of rescue at dictionary pharma to the rescue wsj free antivirus download for pc avg virus protection software footage reveals half hearted rescue efforts in ferry breaking news stories from us and around the world msn news greece presses

rescue english edition ebooks em inglês na amazon com br - Oct 06 2022

web compre rescue english edition de hendrickson s l na amazon com br confira também os ebooks mais vendidos lançamentos e livros digitais exclusivos

rescue english edition versión kindle amazon es - Jan 29 2022

web lee ahora en digital con la aplicación gratuita kindle entrega en madrid 28008 inicia sesión para actualizar tu ubicación
american explorer freed from turkish cave after dayslong rescue - Jun 14 2023

web sep 11 2023 jennifer calfas updated sept 11 2023 10 28 pm et listen 2 min american cave explorer mark dickey was successfully rescued from one of turkey s deepest cave systems on monday after a

drone swarms to the rescue wsj - Nov 07 2022

web sep 13 2023 sept 13 2023 6 30 pm et listen 2 min journal editorial report paul gigot interviews general jack keane images ap composite mark kelly the pentagon said last week that the u s will

tureng rescue türkçe İngilizce sözlük - May 13 2023

web İngilizce türkçe online sözlük tureng kelime ve terimleri çevir ve farklı aksanlarda sesli dinleme rescue kurtarmak rescue equipment kurtarma cihazları rescue ne demek

rescue definition meaning dictionary com - Jul 03 2022

web rescue definition to free or deliver from confinement danger or difficulty the police were able to rescue the hostages in time she rescued me from an awkward conversation see more

rescue english language skills practice esl activities - Mar 11 2023

web new cutting edge pre intermediate students book module 10 take care pages 94 95 jigsaw reading different rescue stories deciding which rescue story is most heroic gapped summary of a rescue story

tureng rescue turkish english dictionary - Sep 05 2022

web english turkish online dictionary tureng translate words and terms with different pronunciation options rescue kurtarmak rescue equipment kurtarma cihazları rescue meanings of rescue in turkish english dictionary 17 result s category english turkish common usage 1 common usage rescue v kurtarmak

206 passengers stranded on luxury cruise ship in greenland cnn - Mar 31 2022

web 2 days ago a luxury cruise ship ran aground in greenland with 206 passengers on board cnn s anna stewart reports on the latest rescue attempts

[tureng rescue türkçe İngilizce sözlük](#) - Apr 12 2023

web İngilizce türkçe online sözlük tureng kelime ve terimleri çevir ve farklı aksanlarda sesli dinleme rescue kurtarmak rescue imdat rescue tahlisiye ne demek

amazon rescue english edition kindle edition by nielsen - Feb 10 2023

web mar 2 2021 rescue english edition kindle edition by nielsen jennifer a download it once and read it on your kindle device pc phones or tablets use features like bookmarks note taking and highlighting while reading rescue english edition

proposal sarthak skill development center globalgiving - Jul 16 2022

web the project aims at enabling youth with disability to live financially independent lives through vocational skill building and placement support creation

save community care foundation globalgiving - Mar 24 2023

web the project is aiming at addressing youth sustainable skills and empowerment which are aimed at enabling them to access basic reliable skills through training workshops counseling and promote positive behaviors currently young people country wide are so vulnerable to many dangers in the

uganda youth skills training organization uysto 2021 advert - Mar 12 2022

web uganda youth skills training organization uysto will conduct students educational tours related to the norec implemented projects at uysto together with students will conduct monthly simple equipment tools maintenance and added advantage skills and knowledge in idea formation and proposal writing

proposal for youth skills training and empowerment programs - Jul 28 2023

web apr 28 2016 the project will be implemented in local areas of the project interests beneficiaries of the project will be approximately as follows 1 000 youth will be trained in various sustainable skills 20 parents and 20 teachers will be trained as community based support structures and they will also work as community resource owned persons

project proposal for youth empowerment - May 26 2023

web youth empowerment initiative which has the potential of integrating the values of a good and productive citizen in youth motivating them to lead a normal life by providing them a platform to develop and showcase their skills the project proposes to select 50 most

skills training and vocational education project - Nov 20 2022

web skills training and vocational education project appraisal report department of social development ocsd centre and west region april 2005 table of contents page project information sheet currency and measures list of abbreviations i x and acronyms basic data sheet

uganda youth skills training project global hand - Aug 29 2023

web uganda youth skills training project project title youth sustainable skills and empowerment implementing agency uganda youth skills training c o kampala polytechnic mengo p o box 14349 kampala uganda tel 0776830887 0712 830887 email ugandayouthskills rocketmail com

project proposal on enhancing employability through vocational - Jun 27 2023

web project proposal 1 name of the project enhancing employability through vocational and skill development training among women adolescent girls and youth members in coastal fishing villages of ganjam district odisha 2 implementing organisation profile

skills training and youth employability id p169268 central - Apr 13 2022

web youth and iii propose relevant policy actions for policy dialogue in the short to medium term phase ii will be developed based on key findings from phase i including a skills training roadmap that assesses formal informal labor supply and demand structures and provide actionable recommendations for

project proposal globalgiving - Jun 15 2022

web 1 0 mission statement the organization s mission is to promote and enhance the capabilities of children youth and women in sierra leone and beyond to effect positive social change that would necessitate the development of their lives communities and nations 2 0 background information

project proposal training bundibugyo district global hand - Dec 21 2022

web trained in several skills as laid down by the project work plan of this proposal how ever the expected out put are 1 the registered youth will acquire skills of in hand craft training carpentry skills and metal fabrication welding business skill training and basic financial management there shall be training in tailoring and

kayunga community club project proposal - May 14 2022

web the proposal is designed to improve youth s way of life and create early awareness in our project areas our strategies for widows and orphan will enable them access sustainable skills

empowering youth through entrepreneurship skills training the - Apr 25 2023

web income generation the project recommends that skills training promote youth employability hence the government and all stake holders should create conducive environment for youth to access necessary skills and support services needed to make them employable

proposal for skill development and training centre academia edu - Feb 11 2022

web functioning of skill development training centre the skill development training centre sdte is a place to train and unskilled rural masses into a productive human force where training and skills related to three areas will be focused upon

youth employment and skills development - Feb 23 2023

web this situation justifies the rationale for supporting the youth employment skills development project focusing on poor and vulnerable young people of the country and young people voluntarily repatriated from abroad building on lessons learned from the previous propct this project will train 2400 vulnerable and disadvantaged youth target

luwerezi youth organization project proposal - Sep 18 2022

web jul 1 2019 project proposal on youth life skills and life skills based education lsbe in batu town to be implemented in batu town in adamitulu jido district east shewa zone of oromia national regional state ethiopia to be submitted to global giving for fund raising campaign february 2019 addis ababa table of contents

project proposal on skill development trainings - Oct 19 2022

web project proposal name of the project enhancement of livelihood for physically challenged women girl youths to sustain and to have a life of dignity name of the trade bakery confectionaries ii duration 4 months iii number of beneficiaries 35 iv approximate cost 5598 53 usd only

project proposal for youth mobilization anthony - Aug 17 2022

web apr 1 2019 project goals and objectives Ø recognition of the national youth council nyc as the voice of the youth Ø sensitize all youth empowerment initiatives about the functions of nyc Ø mobilize

women skill training project globalgiving - Jan 10 2022

web 1 to behavior integrated sustainable development of dalit tribal women children aged orphans widows and handicapped in order to bringing the social economic educational health cultural justice freedom equity and peace and environment development

strengthening life skills for youth s4ye - Jan 22 2023

web target youth for life skills training may be in secondary schools or universities in non formal education settings in vocational or professional training programs or already employed or self employed or they may not be benefitting from any of the above services with life skills training being the first support service they have received