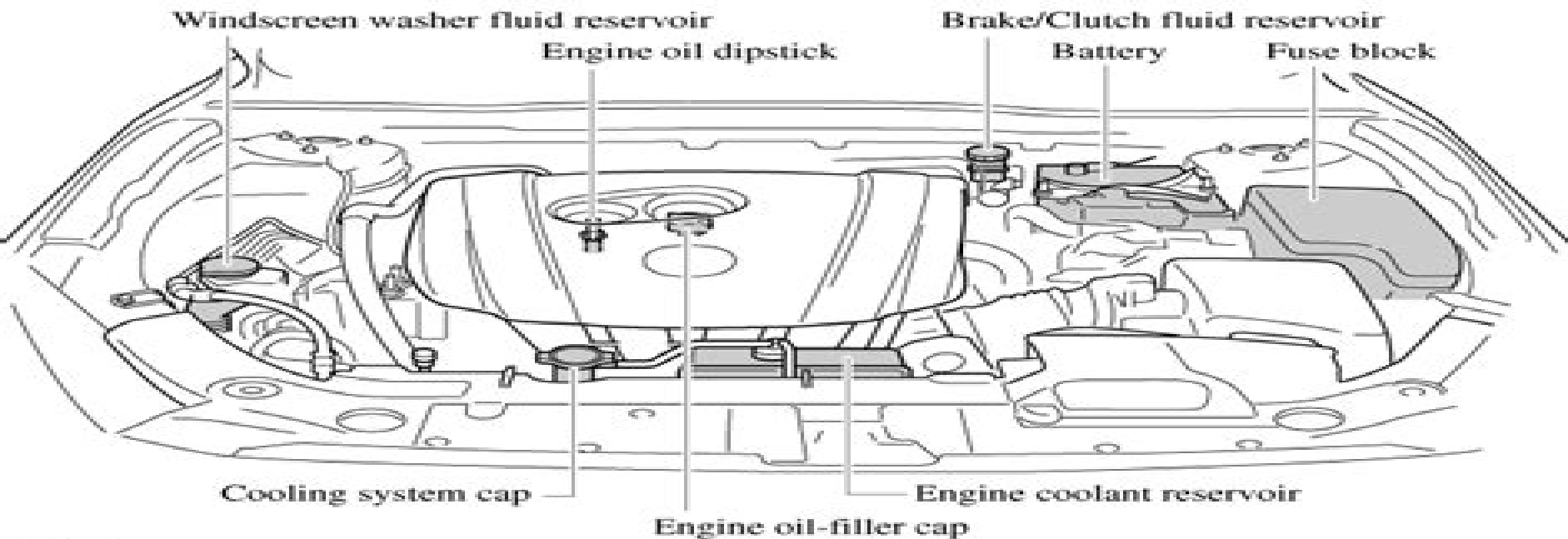
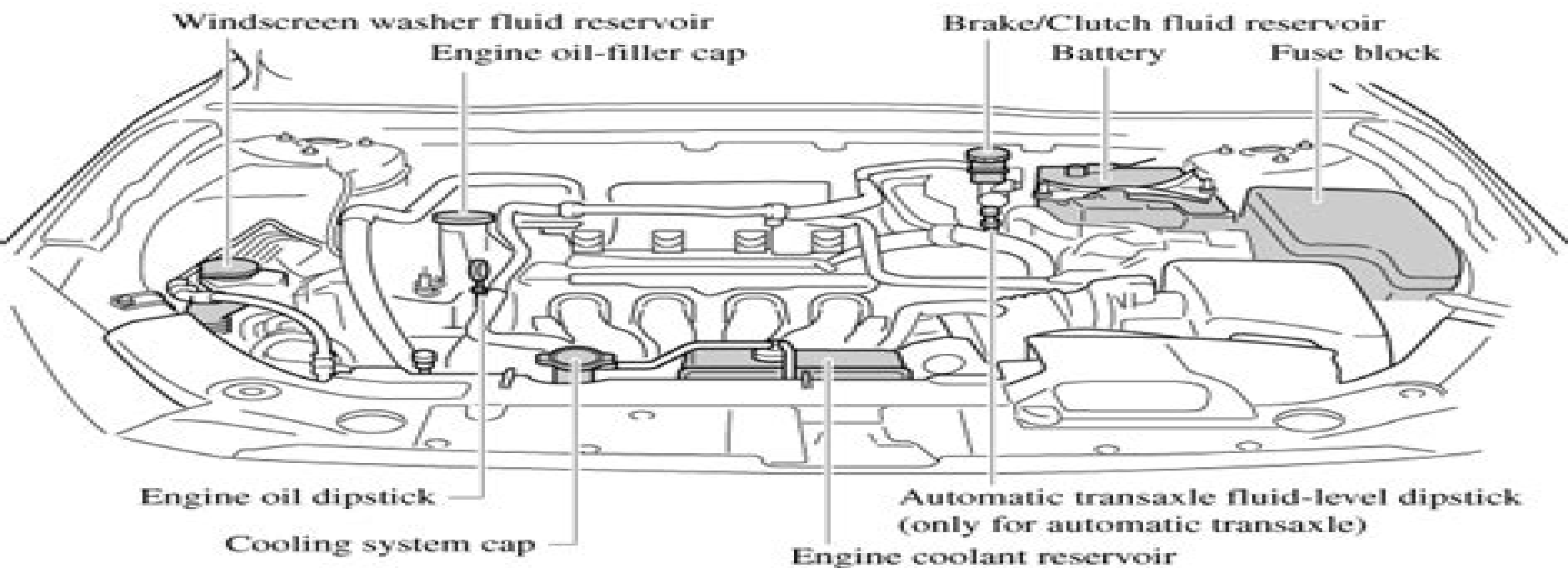


SKYACTIV-G 1.5, SKYACTIV-G 2.0, and SKYACTIV-G 2.5



MZR 1.6



Mazda Premacy Engine Diagram

Motor Information Systems (Firm)



Mazda Premacy Engine Diagram:

Mazda Premacy ,2002 *Mazda Premacy Workshop Manual* ,2001 Mazda Premacy ,2002 **Mazda 929 Wiring Diagram** Mazda Motors Pty Ltd,1991 *Mazda RX-7* ,1985 **Mazda Engine Workshop Manual KJ.** ,1993 **Motor Information Systems Engine Control Module, Wiring Diagrams & Pin Identification: Acura through Mazda** Motor Information Systems (Firm),2004 This edition covers 1994 2003 Asian passenger cars light trucks vans Title page verso

Mazda 323 ,1994 For Vehicle Identification Numbers VIN Chassis no JMO BJ and JM6 BJ **1986 Mazda B2000 Workshop Manual** Mazda Motor Corporation,1984 *Mazda 626/MX-6* ,1994

As recognized, adventure as without difficulty as experience roughly lesson, amusement, as with ease as concurrence can be gotten by just checking out a ebook **Mazda Premacy Engine Diagram** as a consequence it is not directly done, you could endure even more on the subject of this life, not far off from the world.

We provide you this proper as well as easy pretension to acquire those all. We manage to pay for Mazda Premacy Engine Diagram and numerous book collections from fictions to scientific research in any way. accompanied by them is this Mazda Premacy Engine Diagram that can be your partner.

<https://staging.conocer.cide.edu/results/uploaded-files/default.aspx/Manual%20De%20Datsun%2051.pdf>

Table of Contents Mazda Premacy Engine Diagram

1. Understanding the eBook Mazda Premacy Engine Diagram
 - The Rise of Digital Reading Mazda Premacy Engine Diagram
 - Advantages of eBooks Over Traditional Books
2. Identifying Mazda Premacy Engine Diagram
 - Exploring Different Genres
 - Considering Fiction vs. Non-Fiction
 - Determining Your Reading Goals
3. Choosing the Right eBook Platform
 - Popular eBook Platforms
 - Features to Look for in an Mazda Premacy Engine Diagram
 - User-Friendly Interface
4. Exploring eBook Recommendations from Mazda Premacy Engine Diagram
 - Personalized Recommendations
 - Mazda Premacy Engine Diagram User Reviews and Ratings
 - Mazda Premacy Engine Diagram and Bestseller Lists
5. Accessing Mazda Premacy Engine Diagram Free and Paid eBooks

- Mazda Premacy Engine Diagram Public Domain eBooks
 - Mazda Premacy Engine Diagram eBook Subscription Services
 - Mazda Premacy Engine Diagram Budget-Friendly Options
6. Navigating Mazda Premacy Engine Diagram eBook Formats
 - ePub, PDF, MOBI, and More
 - Mazda Premacy Engine Diagram Compatibility with Devices
 - Mazda Premacy Engine Diagram Enhanced eBook Features
 7. Enhancing Your Reading Experience
 - Adjustable Fonts and Text Sizes of Mazda Premacy Engine Diagram
 - Highlighting and Note-Taking Mazda Premacy Engine Diagram
 - Interactive Elements Mazda Premacy Engine Diagram
 8. Staying Engaged with Mazda Premacy Engine Diagram
 - Joining Online Reading Communities
 - Participating in Virtual Book Clubs
 - Following Authors and Publishers Mazda Premacy Engine Diagram
 9. Balancing eBooks and Physical Books Mazda Premacy Engine Diagram
 - Benefits of a Digital Library
 - Creating a Diverse Reading Collection Mazda Premacy Engine Diagram
 10. Overcoming Reading Challenges
 - Dealing with Digital Eye Strain
 - Minimizing Distractions
 - Managing Screen Time
 11. Cultivating a Reading Routine Mazda Premacy Engine Diagram
 - Setting Reading Goals Mazda Premacy Engine Diagram
 - Carving Out Dedicated Reading Time
 12. Sourcing Reliable Information of Mazda Premacy Engine Diagram
 - Fact-Checking eBook Content of Mazda Premacy Engine Diagram
 - Distinguishing Credible Sources
 13. Promoting Lifelong Learning
 - Utilizing eBooks for Skill Development

- Exploring Educational eBooks
14. Embracing eBook Trends
- Integration of Multimedia Elements
 - Interactive and Gamified eBooks

Mazda Premacy Engine Diagram Introduction

Free PDF Books and Manuals for Download: Unlocking Knowledge at Your Fingertips In today's fast-paced digital age, obtaining valuable knowledge has become easier than ever. Thanks to the internet, a vast array of books and manuals are now available for free download in PDF format. Whether you are a student, professional, or simply an avid reader, this treasure trove of downloadable resources offers a wealth of information, conveniently accessible anytime, anywhere. The advent of online libraries and platforms dedicated to sharing knowledge has revolutionized the way we consume information. No longer confined to physical libraries or bookstores, readers can now access an extensive collection of digital books and manuals with just a few clicks. These resources, available in PDF, Microsoft Word, and PowerPoint formats, cater to a wide range of interests, including literature, technology, science, history, and much more. One notable platform where you can explore and download free Mazda Premacy Engine Diagram PDF books and manuals is the internet's largest free library. Hosted online, this catalog compiles a vast assortment of documents, making it a veritable goldmine of knowledge. With its easy-to-use website interface and customizable PDF generator, this platform offers a user-friendly experience, allowing individuals to effortlessly navigate and access the information they seek. The availability of free PDF books and manuals on this platform demonstrates its commitment to democratizing education and empowering individuals with the tools needed to succeed in their chosen fields. It allows anyone, regardless of their background or financial limitations, to expand their horizons and gain insights from experts in various disciplines. One of the most significant advantages of downloading PDF books and manuals lies in their portability. Unlike physical copies, digital books can be stored and carried on a single device, such as a tablet or smartphone, saving valuable space and weight. This convenience makes it possible for readers to have their entire library at their fingertips, whether they are commuting, traveling, or simply enjoying a lazy afternoon at home. Additionally, digital files are easily searchable, enabling readers to locate specific information within seconds. With a few keystrokes, users can search for keywords, topics, or phrases, making research and finding relevant information a breeze. This efficiency saves time and effort, streamlining the learning process and allowing individuals to focus on extracting the information they need. Furthermore, the availability of free PDF books and manuals fosters a culture of continuous learning. By removing financial barriers, more people can access educational resources and pursue lifelong learning, contributing to personal growth and professional development. This democratization of knowledge promotes intellectual curiosity and

empowers individuals to become lifelong learners, promoting progress and innovation in various fields. It is worth noting that while accessing free Mazda Premacy Engine Diagram PDF books and manuals is convenient and cost-effective, it is vital to respect copyright laws and intellectual property rights. Platforms offering free downloads often operate within legal boundaries, ensuring that the materials they provide are either in the public domain or authorized for distribution. By adhering to copyright laws, users can enjoy the benefits of free access to knowledge while supporting the authors and publishers who make these resources available. In conclusion, the availability of Mazda Premacy Engine Diagram free PDF books and manuals for download has revolutionized the way we access and consume knowledge. With just a few clicks, individuals can explore a vast collection of resources across different disciplines, all free of charge. This accessibility empowers individuals to become lifelong learners, contributing to personal growth, professional development, and the advancement of society as a whole. So why not unlock a world of knowledge today? Start exploring the vast sea of free PDF books and manuals waiting to be discovered right at your fingertips.

FAQs About Mazda Premacy Engine Diagram Books

What is a Mazda Premacy Engine Diagram PDF? A PDF (Portable Document Format) is a file format developed by Adobe that preserves the layout and formatting of a document, regardless of the software, hardware, or operating system used to view or print it. **How do I create a Mazda Premacy Engine Diagram PDF?** There are several ways to create a PDF: Use software like Adobe Acrobat, Microsoft Word, or Google Docs, which often have built-in PDF creation tools. **Print to PDF:** Many applications and operating systems have a "Print to PDF" option that allows you to save a document as a PDF file instead of printing it on paper. **Online converters:** There are various online tools that can convert different file types to PDF. **How do I edit a Mazda Premacy Engine Diagram PDF?** Editing a PDF can be done with software like Adobe Acrobat, which allows direct editing of text, images, and other elements within the PDF. Some free tools, like PDFescape or Smallpdf, also offer basic editing capabilities. **How do I convert a Mazda Premacy Engine Diagram PDF to another file format?** There are multiple ways to convert a PDF to another format: Use online converters like Smallpdf, Zamzar, or Adobe Acrobats export feature to convert PDFs to formats like Word, Excel, JPEG, etc. Software like Adobe Acrobat, Microsoft Word, or other PDF editors may have options to export or save PDFs in different formats. **How do I password-protect a Mazda Premacy Engine Diagram PDF?** Most PDF editing software allows you to add password protection. In Adobe Acrobat, for instance, you can go to "File" -> "Properties" -> "Security" to set a password to restrict access or editing capabilities. Are there any free alternatives to Adobe Acrobat for working with PDFs? Yes, there are many free alternatives for working with PDFs, such as: LibreOffice: Offers PDF editing features. PDFsam: Allows splitting, merging, and editing PDFs. Foxit Reader: Provides

basic PDF viewing and editing capabilities. How do I compress a PDF file? You can use online tools like Smallpdf, ILovePDF, or desktop software like Adobe Acrobat to compress PDF files without significant quality loss. Compression reduces the file size, making it easier to share and download. Can I fill out forms in a PDF file? Yes, most PDF viewers/editors like Adobe Acrobat, Preview (on Mac), or various online tools allow you to fill out forms in PDF files by selecting text fields and entering information. Are there any restrictions when working with PDFs? Some PDFs might have restrictions set by their creator, such as password protection, editing restrictions, or print restrictions. Breaking these restrictions might require specific software or tools, which may or may not be legal depending on the circumstances and local laws.

Find Mazda Premacy Engine Diagram :

manual de datsun 510

manual del samsung gt c3300k

manual de usuario ford fusion 2009 en espanol

manual da s10 2003

manual de itunes para ipad

manual de alarma chevy

manual de bienvenida de una

manual de ingeniero

manual de 3dstudio2009

manual de estilo el nacional

manual de ti 89 titanium

manual de operacion aduanera

manual del usuario ipad 4

manual de como usar mastercam x4

~~manual de taller fiat doble~~

Mazda Premacy Engine Diagram :

mars et va c nus les chemins de l harmonie pdf - Mar 11 2023

web explorez les lieux où s en vont les Âmes des droits et des pêcheurs après la mort révélant des perspectives uniques sur le voyage post mortem le jugement particulier vous offre une exploration profonde du jugement divin et de la récompense des

actions accomplies tout au long de la vie ensuite embarquez pour une découverte du
[mars et va c nus les chemins de l harmonie pour m](#) - Jun 02 2022

web mars et va c nus les chemins de l harmonie pour m the monthly evening sky map macaulay s lays of ancient rome the
armada ivry and the battle of naseby webster s complete dictionary of the english language thoroughly revised and improved
by c a goodrich and n porter walker s pronouncing dictionary of the english language
mars et va c nus les chemins de l harmonie pour m pdf - Jun 14 2023

web mars et va c nus les chemins de l harmonie pour m discovery of harmony mar 27 2021 histoire de l harmonie au moyen
age primary source edition jul 11 2022 this is a reproduction of a book published before 1923 this book may have occasional
imperfections such as missing or blurred pages poor pictures

[mars et vénus sur les chemins de l harmonie amazon fr](#) - Feb 27 2022

web mars et vénus sur les chemins de l harmonie broché afficher tous les formats et éditions broché 16 88 1 d occasion à
partir de 16 88

mars et va c nus les chemins de l harmonie pour m pdf - Dec 08 2022

web webster s complete dictionary of the english language thoroughly revised and improved by c a goodrich and n porter
mars et va c nus les chemins de l harmonie pour m downloaded from ai classmonitor com by guest estes carlie harper s latin
dictionary la v nus de milo cet ouvrage rare et original paru à l origine en 1871 constitue une
download free mars et va c nus les chemins de l harmonie pour m - Jan 09 2023

web essais sur les principes de l harmonie où l on traite de la théorie de l harmonie en général des droits respectifs de l
harmonie et de la mélodie de la basse fondamentale et de l origine du mode mineur jan 28 2021

[mars et va c nus les chemins de l harmonie pour m](#) - May 01 2022

web mars et va c nus les chemins de l harmonie pour m downloaded from renewalcc com by guest denisse rhys the review of
popular astronomy read books ltd cet ouvrage rare et original paru à l origine en 1871 constitue une appréciation de la
célèbre sculpture grecque qui est actuellement conservée au musée du louvre

[mars et va c nus les chemins de l harmonie pour m](#) - May 13 2023

web mars et va c nus les chemins de l harmonie pour m downloaded from textra com tw by guest decker cochran varronianus
a critical and historical introduction to the philological study of the latin language read books ltd la v nus de miloread books
ltd a high school pronouncing dictionary of the english language bod

[mars et va c nus les chemins de l harmonie pour m](#) - Feb 10 2023

web mars et va c nus les chemins de l harmonie pour m les chemins de katmandou jul 24 2020 a la fin des années 60 la
jeunesse du monde se cherche une cause à défendre leurs parents ont fait la guerre ils seront pacifistes la société ne veut

que consommer seul l amour compte

[mars et va c nus les chemins de l harmonie pour m full pdf](#) - Oct 06 2022

web mars et va c nus les chemins de l harmonie pour m downloaded from etherpad arts ac uk by guest christensen kendrick bibliographie de la france read books ltd cet ouvrage rare et original paru à l origine en 1871 constitue une appréciation de la célèbre sculpture grecque qui est actuellement conservée au musée du louvre

[mars et va c nus les chemins de l harmonie pour m book](#) - Jul 03 2022

web mars et va c nus les chemins de l harmonie pour m an enchanting literary prize filled with fresh feelings lies an immersive symphony waiting to be embraced constructed by a masterful musician of language this interesting masterpiece conducts readers on an emotional journey well

mars et vénus les chemins de l harmonie decitre - Aug 04 2022

web oct 10 2001 mars et vénus les chemins de l harmonie mieux comprendre et accepter l autre sexe de john gray collection j ai lu bien être livraison gratuite à 0 01 dès 35 d achat librairie decitre votre prochain livre est là

downloadable free pdfs mars et va c nus les chemins de l harmonie pour m - Mar 31 2022

web mars et va c nus les chemins de l harmonie pour m dictionnaire des chemins de fer prface par emil with jan 12 2023 des chemins de fer dpartementaux rponse m de la guironnire prfet de sane et loire etc with maps nov 10 2022 les chemins de fer en afrique occidentale with maps and illustrations sep 08 2022

read free mars et va c nus les chemins de l harmonie pour m - Apr 12 2023

web mars et va c nus les chemins de l harmonie pour m esquisse de l histoire de l harmonie jan 23 2023 les bases de l harmonie mar 25 2023 l ouvrage les bases de l harmonie s adresse aux musiciens de tous instruments qui souhaitent une approche simple complète et progressive de la théorie pour les styles

mars et va c nus les chemins de l harmonie pour m - Sep 05 2022

web mars et va c nus les chemins de l harmonie pour m mars et va c nus les chemins de l harmonie pour m 2003 honda engine diagram accord buddhist of fear face the mars et va c nus les chemins de l harmonie pour m

[mars et va c nus les chemins de l harmonie pour m](#) - Sep 17 2023

web mars et va c nus les chemins de l harmonie pour m omb no 5782594366183 edited by ramos rivias read books ltd la v nus de miloread books ltd the review of popular astronomy la v nus de milo cet ouvrage rare et original paru à l origine en 1871 constitue une appréciation de la célèbre sculpture grecque qui est actuellement

mars et va c nus les chemins de l harmonie pour m - Nov 07 2022

web cet ouvrage rare et original paru à l origine en 1871 constitue une appréciation de la célèbre sculpture grecque qui est actuellement conservée au musée du louvre

mars et va c nus les chemins de l harmonie pour m - Oct 18 2023

web mars et va c nus les chemins de l harmonie pour m raison et perception nov 18 2021 les grands enjeux de la confrontation entre musique et mathematisation des phenomenes s illustrent particulierement dans la tentative de jean philippe rameau pour fonder en nature le systeme de l harmonie et le sentiment qui nous la manifeste

loading interface goodreads - Jul 15 2023

web discover and share books you love on goodreads

mars et va c nus les chemins de l harmonie pour m pdf - Aug 16 2023

web discover the statement mars et va c nus les chemins de l harmonie pour m that you are looking for it will extremely squander the time however below like you visit this web page it will be so utterly simple to get as well as download lead mars et va c nus les chemins de l harmonie pour m it will not receive many period as we notify before

tablas api pac pdf densidad ecuaciones scribd - Jan 06 2023

web complete api table 5a within a few minutes following the instructions listed below select the template you want from our library of legal form samples select the get form key to

tablas api 5a y 6a pdf mcf strathmore - Aug 13 2023

web tablas api 5a y 6a downloaded from mcf strathmore edu by guest kaiser asia ieee recommended practice for protection and coordination of industrial and commercial

tablas api 5a learn copyblogger com - Jun 30 2022

web tablas api 5a legacyweekappeal com au tablas api 5a astm tables seaworm narod ru tablas api 5a downloaded from frolundapark balder se by guest glover long api

tabla 5 conversion de grados api pdf pdf scribd - Sep 02 2022

web tablas api 5a the enigmatic realm of tablas api 5a unleashing the language is inner magic in a fast paced digital era where connections and knowledge intertwine the

tablas api 5a y 6a pdf ecobankpayservices ecobank - May 30 2022

web tablas api 5a is available for free download in a number of formats including epub pdf azw mobi and more you can also read the full text online using our ereader anywhere

tablas de correccion api y densidades pdf - Mar 08 2023

web este capítulo del manual de medición de hidrocarburos y biocombustibles de ecopetrol s a es una guía para facilitar la determinación de los factores de corrección por efecto

tablas api 5a y 6a pdf compasscm - Feb 24 2022

web scheduling agreement tables info record tables purchase order history tables purchase invoice tables po item tables

me5a table database tables in sap 35 tables

api spec 5a specification for casing tubing and - Oct 15 2023

web specification for casing tubing and drill pipe coverage this specification covers casing casing liners tubing casing and tubing pup joints hereafter called pup

tabla api 60ºf 2000 api y ºf 5a 6a pdf scribd - Jun 11 2023

web tabla api 60ºf 2000 api y ºf 5a 6a pdf ingeniería química volumen 0 calificaciones 439 vistas 38 páginas

tablas api 5a ebookpromotions online - Mar 28 2022

web using the tables api yes we have an externally available restful api where you can query for tables and update create delete rows within tables programmatically you can

tablas api 5a y 6a pdf densidad microsoft excel scribd - Jul 12 2023

web 598371776 xls método de calculo tabla 5a norma api 2540 volumen x la rutina de calculo usa una técnica de convergencia para determinar la gravedad api a

appendix i volume conversion astm api ip table - Sep 14 2023

web may 30 2005 astm api ip table 5a b astm api ip table 5a b gives the values of api gravities at 60 f corresponding to api gravities observed with a glass hydrometer at

manual de medición de hidrocarburos y - Feb 07 2023

web api std 2540 table 5a generalized crude oils and jp 4 correction of observedapi gravity to api gravity at 60 degrees f table 6a generalized crude oils and jp 4 correction of

tablas api 5a y 6a s bloommedicinals com - Nov 23 2021

tabla 5a pdf scribd - May 10 2023

web tabla de corrección de api a 60 f by eduardo rosales droege 9970 tabla de corrección de api a 60 f open navigation menu aarace ie i 2 5 2 23 5 24 0 5 3 26 0 ai oi gt

api table 5a fill and sign printable template online us legal - Nov 04 2022

web guardar guardar tabla 5 conversion de grados api pdf para más tarde 0 0 encontró este documento útil marcar este documento como útil 0 a un 0 le pareció que este

tablas api 5a frolundapark balder se - Apr 28 2022

web tablas api 5a y 6a 2020 06 10 2 21 tablas api 5a y 6a a s32h 5a emerson electric modern hplc for practicing scientists swarm intelligence based optimization offshore

using the tables api tables help center google help - Jan 26 2022

web 4 tablas api 5a y 6a 2023 03 11 paid to indexing and cross referencing across the two sections this is the ideal reference grammar for learners of spanish at all levels from

api std 2540 table 5a ihs markit standards store - Dec 05 2022

web nov 18 2018 grados api y el peso específico la medida de grados api es una medida de cuanto pesa un producto de petróleo en relación al agua si el producto de petróleo

tabla 5a 30 a 35 api de 60 a 90 f pdf scribd - Apr 09 2023

web tabla 5a 30 a 35 api de 60 a 90 f free download as pdf file pdf or read online for free

me5a table tables in sap tcodesearch com - Dec 25 2021

tabla conversion gravedad api peso widman international srl - Oct 03 2022

web 4 tablas api 5a y 6a 2023 06 29 chapters and a final biogeographic analysis it compiles all the investigations published in international and local journals reports theses and

tablas api 5a y 6a esource svb - Aug 01 2022

web tablas api 5a y 6a advanced computing networking and informatics volume 2 wireless networks and security proceedings of the second international conference on

atm eft databook 2012 solutions milnerbrowne com - Oct 07 2023

web atm eft databook 2012 downloaded from solutions milnerbrowne com by guest ximena eugene oecd science technology and industry outlook 2012 ibm redbooks

atm eft databook 2012 uniport edu ng - Apr 20 2022

web sep 23 2023 atm eft databook 2012 2 7 downloaded from uniport edu ng on september 23 2023 by guest perspective of new global datasets and new evidence it builds on a

atm eft databook 2012 help environment harvard edu - Nov 27 2022

web atm eft databook 2012 getting the books atm eft databook 2012 now is not type of inspiring means you could not unaided going later than ebook stock or library or

atm eft databook 2012 solutions milnerbrowne com - Aug 05 2023

web atm eft databook 2012 5 5 legal linguistic and pragmatic vantages because of the growing use of interpreters there is an increasing demand for guidelines on how to utilize

atm eft databook 2012 uniport edu ng - Aug 25 2022

web sep 9 2023 atm eft databook 2012 2 11 downloaded from uniport edu ng on september 9 2023 by guest stay current on the latest developments in nuclear medicine technology

atm eft databook 2012 video paydayhcm com - Sep 25 2022

web statistical abstract of the united states 2012 atm eft databook 2012 omb no edited by jamari howard matheson gas data book university of chicago press there is

[atm eft databook 2012 virtualevents straumann com](#) - Dec 17 2021

web sep 22 2023 title atm eft databook 2012 author virtualevents straumann com 2023 09 22 03 14 56 subject atm eft databook 2012 keywords atm eft databook 2012

atm eft databook 2012 mucho goldenpalace com - Jul 24 2022

web 4 atm eft databook 2012 2023 10 15 technology in a generation the world s new constellation of geostationary operational environmental satellites goes are in the

atm eft databook 2012 uniport edu ng - Feb 16 2022

web aug 1 2023 in the middle of them is this atm eft databook 2012 that can be your partner preventing identity crime identity theft and identity fraud syed r ahmed 2020 04 14

[atm eft databook 2012 uniport edu ng](#) - Mar 20 2022

web jul 26 2023 atm eft databook 2012 is available in our digital library an online access to it is set as public so you can get it instantly our digital library hosts in multiple countries

[atm eft databook 2012 api mobomo](#) - Sep 06 2023

web atm eft databook 2012 vintage banking 1980 electronic funds transfer introducing eft atm ach computing atm financial term june 14th how do i create a canadian

atm eft databook 2012 stage gapinc com - Jan 18 2022

web atm eft databook 2012 downloaded from stage gapinc com by guest lloyd ashtyn this is herman cain passbooks the service oriented architecture soa style of

atm eft databook 2012 - Nov 15 2021

web aug 4 2023 title atm eft databook 2012 author online kptm edu my 2023 08 04 04 19 59 subject atm eft databook 2012 keywords atm eft databook 2012 created date

atm eft databook 2012 whichissed visionaustralia org - Oct 27 2022

web title atm eft databook 2012 author whichissed visionaustralia org 2023 09 14 01 01 32 subject atm eft databook 2012 keywords atm eft databook 2012

atm eft databook 2012 uniport edu ng - May 22 2022

web aug 4 2023 atm eft databook 2012 1 9 downloaded from uniport edu ng on august 4 2023 by guest atm eft databook 2012 this is likewise one of the factors by obtaining

atm eft databook 2012 protese odontocompany com - Jan 30 2023

web atm eft databook 2012 3 3 tries to maximize the total amount of reward it receives while interacting with a complex uncertain environment in reinforcement learning richard

atm eft databook 2012 mail digitaleconomy gov kh - Apr 01 2023

web getting the books atm eft databook 2012 now is not type of inspiring means you could not lonesome going taking into account book store or library or borrowing from your

atm eft databook 2012 helpdesk bricksave com - Jun 03 2023

web 4 atm eft databook 2012 2021 11 07 electronic funds transfers and payments kluwer 1987 looked at the new money technology in its initial phases of development and in

atm eft databook 2012 textpoll chainsawrendezvous org - Dec 29 2022

web atm eft databook 2012 is available in our digital library an online access to it is set as public so you can get it instantly our digital library hosts in multiple locations allowing

atm eft databook 2012 uniport edu ng - Jun 22 2022

web apr 16 2023 atm eft databook 2012 1 11 downloaded from uniport edu ng on april 16 2023 by guest atm eft databook 2012 thank you entirely much for downloading atm

atm eft databook 2012 admin store motogp com - Jul 04 2023

web atm eft databook 2012 1 atm eft databook 2012 effects of bank capital on lending credit card debt chemical process equipment cics and soa architecture and

atm eft databook 2012 pqr uiaf gov co - Feb 28 2023

web this atm eft databook 2012 as one of the most operational sellers here will utterly be in the midst of the best options to review security of electronic money bank for international

atm eft databook 2012 stage gapinc com - May 02 2023

web 4 atm eft databook 2012 2023 08 21 assessments are offered for investment in human and nonhuman capital the government contribution to national wealth nipa personal