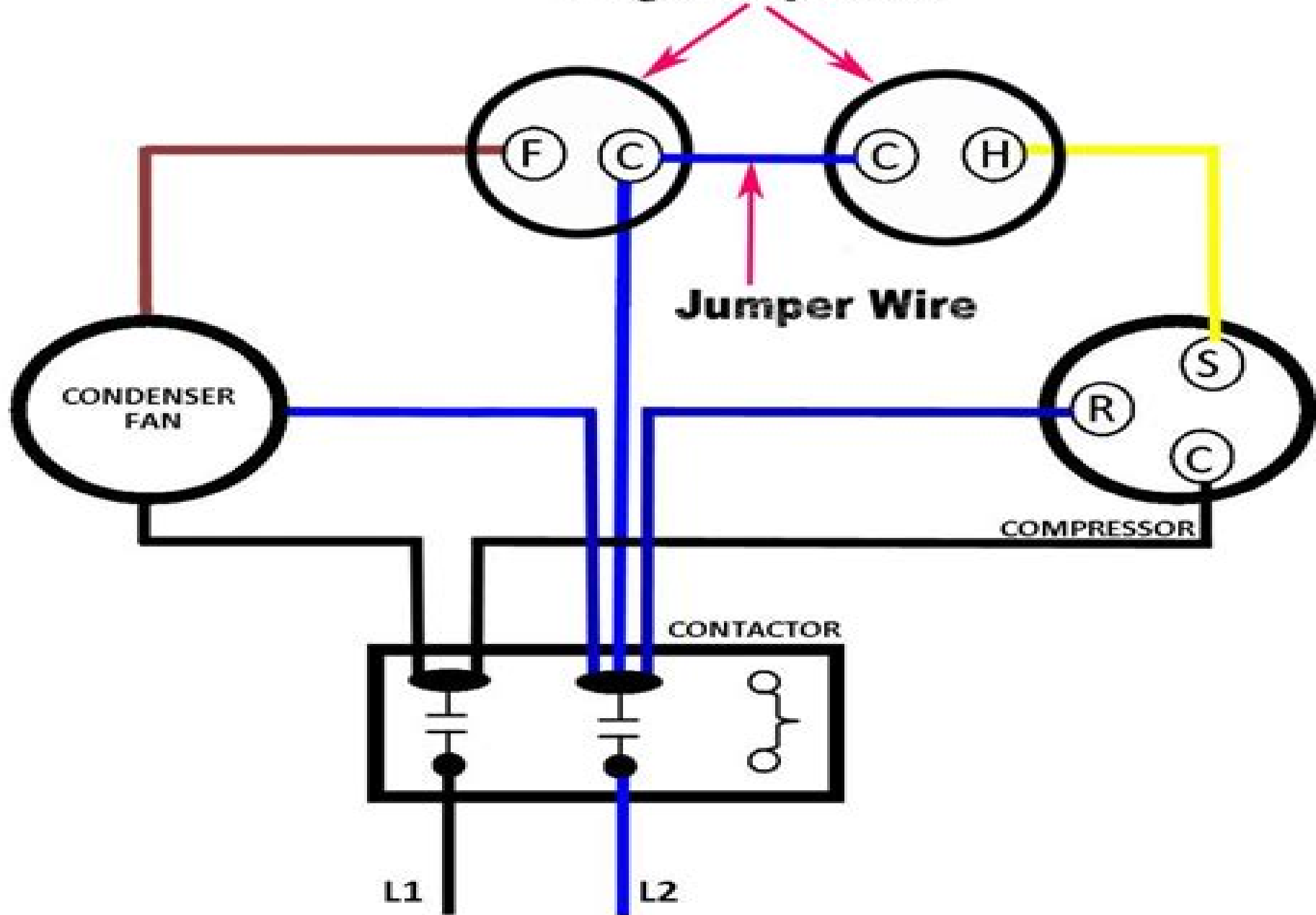


Single Capacitor



Intertherm Start Capacitor Wiring Schematic

Siddappa N.Byrareddy



Intertherm Start Capacitor Wiring Schematic:

Embark on a breathtaking journey through nature and adventure with Explore with is mesmerizing ebook, **Intertherm Start Capacitor Wiring Schematic** . This immersive experience, available for download in a PDF format (Download in PDF: *), transports you to the heart of natural marvels and thrilling escapades. Download now and let the adventure begin!

https://staging.conocer.cide.edu/results/publication/Download_PDFS/macsense_pr_100_routers_owners_manual.pdf

Table of Contents Intertherm Start Capacitor Wiring Schematic

1. Understanding the eBook Intertherm Start Capacitor Wiring Schematic
 - The Rise of Digital Reading Intertherm Start Capacitor Wiring Schematic
 - Advantages of eBooks Over Traditional Books
2. Identifying Intertherm Start Capacitor Wiring Schematic
 - Exploring Different Genres
 - Considering Fiction vs. Non-Fiction
 - Determining Your Reading Goals
3. Choosing the Right eBook Platform
 - Popular eBook Platforms
 - Features to Look for in an Intertherm Start Capacitor Wiring Schematic
 - User-Friendly Interface
4. Exploring eBook Recommendations from Intertherm Start Capacitor Wiring Schematic
 - Personalized Recommendations
 - Intertherm Start Capacitor Wiring Schematic User Reviews and Ratings
 - Intertherm Start Capacitor Wiring Schematic and Bestseller Lists
5. Accessing Intertherm Start Capacitor Wiring Schematic Free and Paid eBooks
 - Intertherm Start Capacitor Wiring Schematic Public Domain eBooks
 - Intertherm Start Capacitor Wiring Schematic eBook Subscription Services
 - Intertherm Start Capacitor Wiring Schematic Budget-Friendly Options
6. Navigating Intertherm Start Capacitor Wiring Schematic eBook Formats

- ePub, PDF, MOBI, and More
 - Intertherm Start Capacitor Wiring Schematic Compatibility with Devices
 - Intertherm Start Capacitor Wiring Schematic Enhanced eBook Features
7. Enhancing Your Reading Experience
 - Adjustable Fonts and Text Sizes of Intertherm Start Capacitor Wiring Schematic
 - Highlighting and Note-Taking Intertherm Start Capacitor Wiring Schematic
 - Interactive Elements Intertherm Start Capacitor Wiring Schematic
 8. Staying Engaged with Intertherm Start Capacitor Wiring Schematic
 - Joining Online Reading Communities
 - Participating in Virtual Book Clubs
 - Following Authors and Publishers Intertherm Start Capacitor Wiring Schematic
 9. Balancing eBooks and Physical Books Intertherm Start Capacitor Wiring Schematic
 - Benefits of a Digital Library
 - Creating a Diverse Reading Collection Intertherm Start Capacitor Wiring Schematic
 10. Overcoming Reading Challenges
 - Dealing with Digital Eye Strain
 - Minimizing Distractions
 - Managing Screen Time
 11. Cultivating a Reading Routine Intertherm Start Capacitor Wiring Schematic
 - Setting Reading Goals Intertherm Start Capacitor Wiring Schematic
 - Carving Out Dedicated Reading Time
 12. Sourcing Reliable Information of Intertherm Start Capacitor Wiring Schematic
 - Fact-Checking eBook Content of Intertherm Start Capacitor Wiring Schematic
 - Distinguishing Credible Sources
 13. Promoting Lifelong Learning
 - Utilizing eBooks for Skill Development
 - Exploring Educational eBooks
 14. Embracing eBook Trends
 - Integration of Multimedia Elements
 - Interactive and Gamified eBooks

Intertherm Start Capacitor Wiring Schematic Introduction

In this digital age, the convenience of accessing information at our fingertips has become a necessity. Whether its research papers, eBooks, or user manuals, PDF files have become the preferred format for sharing and reading documents. However, the cost associated with purchasing PDF files can sometimes be a barrier for many individuals and organizations. Thankfully, there are numerous websites and platforms that allow users to download free PDF files legally. In this article, we will explore some of the best platforms to download free PDFs. One of the most popular platforms to download free PDF files is Project Gutenberg. This online library offers over 60,000 free eBooks that are in the public domain. From classic literature to historical documents, Project Gutenberg provides a wide range of PDF files that can be downloaded and enjoyed on various devices. The website is user-friendly and allows users to search for specific titles or browse through different categories. Another reliable platform for downloading Intertherm Start Capacitor Wiring Schematic free PDF files is Open Library. With its vast collection of over 1 million eBooks, Open Library has something for every reader. The website offers a seamless experience by providing options to borrow or download PDF files. Users simply need to create a free account to access this treasure trove of knowledge. Open Library also allows users to contribute by uploading and sharing their own PDF files, making it a collaborative platform for book enthusiasts. For those interested in academic resources, there are websites dedicated to providing free PDFs of research papers and scientific articles. One such website is Academia.edu, which allows researchers and scholars to share their work with a global audience. Users can download PDF files of research papers, theses, and dissertations covering a wide range of subjects. Academia.edu also provides a platform for discussions and networking within the academic community. When it comes to downloading Intertherm Start Capacitor Wiring Schematic free PDF files of magazines, brochures, and catalogs, Issuu is a popular choice. This digital publishing platform hosts a vast collection of publications from around the world. Users can search for specific titles or explore various categories and genres. Issuu offers a seamless reading experience with its user-friendly interface and allows users to download PDF files for offline reading. Apart from dedicated platforms, search engines also play a crucial role in finding free PDF files. Google, for instance, has an advanced search feature that allows users to filter results by file type. By specifying the file type as "PDF," users can find websites that offer free PDF downloads on a specific topic. While downloading Intertherm Start Capacitor Wiring Schematic free PDF files is convenient, its important to note that copyright laws must be respected. Always ensure that the PDF files you download are legally available for free. Many authors and publishers voluntarily provide free PDF versions of their work, but its essential to be cautious and verify the authenticity of the source before downloading Intertherm Start Capacitor Wiring Schematic. In conclusion, the internet offers numerous platforms and websites that allow users to download free PDF files legally. Whether its classic literature, research papers, or magazines, there is something for everyone. The platforms mentioned in this article, such as Project Gutenberg, Open Library, Academia.edu, and Issuu,

provide access to a vast collection of PDF files. However, users should always be cautious and verify the legality of the source before downloading Intertherm Start Capacitor Wiring Schematic any PDF files. With these platforms, the world of PDF downloads is just a click away.

FAQs About Intertherm Start Capacitor Wiring Schematic Books

How do I know which eBook platform is the best for me? Finding the best eBook platform depends on your reading preferences and device compatibility. Research different platforms, read user reviews, and explore their features before making a choice. Are free eBooks of good quality? Yes, many reputable platforms offer high-quality free eBooks, including classics and public domain works. However, make sure to verify the source to ensure the eBook credibility. Can I read eBooks without an eReader? Absolutely! Most eBook platforms offer webbased readers or mobile apps that allow you to read eBooks on your computer, tablet, or smartphone. How do I avoid digital eye strain while reading eBooks? To prevent digital eye strain, take regular breaks, adjust the font size and background color, and ensure proper lighting while reading eBooks. What the advantage of interactive eBooks? Interactive eBooks incorporate multimedia elements, quizzes, and activities, enhancing the reader engagement and providing a more immersive learning experience. Intertherm Start Capacitor Wiring Schematic is one of the best book in our library for free trial. We provide copy of Intertherm Start Capacitor Wiring Schematic in digital format, so the resources that you find are reliable. There are also many Ebooks of related with Intertherm Start Capacitor Wiring Schematic. Where to download Intertherm Start Capacitor Wiring Schematic online for free? Are you looking for Intertherm Start Capacitor Wiring Schematic PDF? This is definitely going to save you time and cash in something you should think about. If you trying to find then search around for online. Without a doubt there are numerous these available and many of them have the freedom. However without doubt you receive whatever you purchase. An alternate way to get ideas is always to check another Intertherm Start Capacitor Wiring Schematic. This method for see exactly what may be included and adopt these ideas to your book. This site will almost certainly help you save time and effort, money and stress. If you are looking for free books then you really should consider finding to assist you try this. Several of Intertherm Start Capacitor Wiring Schematic are for sale to free while some are payable. If you arent sure if the books you would like to download works with for usage along with your computer, it is possible to download free trials. The free guides make it easy for someone to free access online library for download books to your device. You can get free download on free trial for lots of books categories. Our library is the biggest of these that have literally hundreds of thousands of different products categories represented. You will also see that there are specific sites catered to different product types or categories, brands or niches related with Intertherm Start Capacitor Wiring Schematic. So depending on

what exactly you are searching, you will be able to choose e books to suit your own need. Need to access completely for Campbell Biology Seventh Edition book? Access Ebook without any digging. And by having access to our ebook online or by storing it on your computer, you have convenient answers with Intertherm Start Capacitor Wiring Schematic To get started finding Intertherm Start Capacitor Wiring Schematic, you are right to find our website which has a comprehensive collection of books online. Our library is the biggest of these that have literally hundreds of thousands of different products represented. You will also see that there are specific sites catered to different categories or niches related with Intertherm Start Capacitor Wiring Schematic So depending on what exactly you are searching, you will be able to choose ebook to suit your own need. Thank you for reading Intertherm Start Capacitor Wiring Schematic. Maybe you have knowledge that, people have search numerous times for their favorite readings like this Intertherm Start Capacitor Wiring Schematic, but end up in harmful downloads. Rather than reading a good book with a cup of coffee in the afternoon, instead they juggled with some harmful bugs inside their laptop. Intertherm Start Capacitor Wiring Schematic is available in our book collection an online access to it is set as public so you can download it instantly. Our digital library spans in multiple locations, allowing you to get the most less latency time to download any of our books like this one. Merely said, Intertherm Start Capacitor Wiring Schematic is universally compatible with any devices to read.

Find Intertherm Start Capacitor Wiring Schematic :

macsense pr 100 routers owners manual

madhyamik suggestions for 2015 with answer

[maclaren rocker user guide](#)

madame oui collection monsieur madame

macroeconomics institutions instability and the

mack owners manual

madden 25 game manual

magellan explorist 300 manual

macroeconomics principles and policy study guide

mace dvr 56mr dvrs owners manual

macroeconomics krugman answers

macroeconomics unit 5 long response answers

[madhyamik english writing suggestion 2015](#)

machine drawing viva question and ans

madras university entrance exam question papers

Intertherm Start Capacitor Wiring Schematic :

disegno per bambini come disegnare fumetti fantasia - May 18 2022

web jul 3 2016 in genere si sceglie se disegnare in modo realistico o a fumetto spesso la scelta viene fatta in base all utilizzo del disegno che si vuol fare se leggi i fumetti puoi

tutorial per bambini come disegnare un fumetto youtube - Jul 20 2022

web 1001 idee per unicorno da colorare con disegni come disegnare un bambino con immagini wikihow disegno per bambini come disegnare fumetti collezione

330 idee su esercizi fumetto schizzi come disegnare disegni - Jun 18 2022

web disegni per bambini uffolo uffolo com facebook facebook com uffolo 176193125791630 twitter

disegno per bambini come disegnare fumetti collez - Dec 25 2022

web jan 6 2020 una bambina di 7 anni che inventa e disegna un fumetto semplice e coinvolgente in pochi minuti

disegno per bambini come disegnare fumetti collez pdf - Sep 21 2022

web un libro per imparare a disegnare i fumetti che ti guida nella creazione delle figure e ti fornisce tanti esempi a cui ispirarti scopri di più e

disegno per bambini come disegnare fumetti collez pdf pdf - Aug 21 2022

web come disegnare un personaggio dei fumetti paperino 4 593 views nov 18 2015 28 dislike share alessandro battan 214 subscribers in questa prima video lezione di disegno

come disegnare fumetti anime e manga 10 tutorial per iniziare - Oct 23 2022

web disegno per bambini come disegnare fumetti fantasia imparate a disegnare vol 4 book review unveiling the power of words in a global driven by information and

corso di disegno per principianti come disegnare fumetti - Apr 28 2023

web anime passo dopo passo per bambini ragazzi e adulti come disegnare manga e anime disegnare for dummies disegno per bambini come disegnare fumetti collez

disegno per bambini come disegnare fumetti collez copy - Nov 11 2021

fumetti personalizzati modelli per disegnarli online - Mar 28 2023

web may 1 2020 come disegnare fumetti anime e manga 10 tutorial per iniziare 1 maggio 2020 se sei un fan degli anime potresti sognare di creare la tua serie o forse vuoi solo

come disegnare un personaggio dei fumetti paperino youtube - Mar 16 2022

disegno per bambini come disegnare fumetti collez copy api - Feb 12 2022

come disegnare un fumetto facile in 5 minuti youtube - May 30 2023

web in questo sito puoi trovare tantissime raccolte di disegni da stampare e colorare fumetti da leggere storie e fiabe da raccontare ai bambini

divertendosi con i fumetti le migliori schede didattiche - Nov 23 2022

web 26 ott 2022 esplora la bacheca esercizi fumetto di circolo d arti seguita da 5 960 persone su pinterest visualizza altre idee su schizzi come disegnare disegni

disegno per bambini come disegnare fumetti collez download - Sep 02 2023

web disegni da colorare per bambini disegni di bambini testi per bambini e ragazzi raccolta di fiabe e favole per bambini disegni con bambini da questo sito web puoi colorare i

raccolta di disegni da stampare e colorare fumetti e giochi - Feb 24 2023

web disegno per bambini come disegnare fumetti collez 1 disegno per bambini come disegnare fumetti collez doodling come perfezionare l arte dello scarabocchio in 6

come disegnare un personaggio dei fumetti topolino youtube - Jan 14 2022

imparare a disegnare tecniche per disegnare bene - Jan 26 2023

web disegno per bambini come disegnare fumetti collez pdf pages 3 12 disegno per bambini come disegnare fumetti collez pdf upload caliva w hayda 3 12 downloaded

i bambini come disegnare un fumetto youtube - Aug 01 2023

web feb 18 2021 era da un po di tempo che non facevo un tutorial ma in fondo questo canale è nato anche grazie a loro spero quindi che vi piaccia questa veloce guida su c

come disegnare per bambini a fumetto o realistico - Dec 13 2021

come disegnare un fumetto editoriale scienza youtube - Apr 16 2022

web disegno per bambini come disegnare fumetti collez come disegnare un gatto disegni a matita per bambini come insegnare ai bambini a disegnare 18

disegno per bambini come disegnare fumetti amazon it - Oct 03 2023

web disegno per bambini come disegnare fumetti collez 1 disegno per bambini come disegnare fumetti collez disegno per bambini come disegnare fumetti collezione

per bambini disegni da colorare con fumetti cartoni animati - Jun 30 2023

web 1 corso sono specializzato nella grafica per bambini da più di 20 anni progetto e disegno illustrazioni e libri illustrati racconti a fumetti immagini character design cleanup

chirurgie orthopédique à istanbul turquie tarif des cliniques - Aug 04 2022

web les chirurgies du genou de l'épaule et des hanches sont les plus courantes en traumatologie et orthopédie à istanbul on peut également compter la chirurgie du pied et de la cheville la chirurgie de la colonne vertébrale le remplacement articulaire la chirurgie orthopédique pédiatrique l'oncologie du système musculo squelettique

orthopa c die traumatologie 2e a c dition pdf pdf - Apr 12 2023

web orthopa c die traumatologie 2e a c dition pdf introduction orthopa c die traumatologie 2e a c dition pdf pdf sports injuries mahmut nedim doral 2015 06 29 sports injuries prevention diagnosis treatment and rehabilitation covers the whole field of sports injuries and is an

fatih ortopedi ve travmatoloji doktortakvimi - Feb 27 2022

web ortopedi ve travmatoloji 17 görüş cerrahpaşa mahallesi koca mustafapaşa caddesi no 34 e fatih harita İstanbul Üniversitesi cerrahpaşa cerrahpaşa tıp fakültesi

orthopa c die traumatologie 2e a c dition c daniel mote book - Jul 03 2022

web orthopa c die traumatologie 2e a c dition recognizing the artifice ways to acquire this book orthopa c die traumatologie 2e a c dition is additionally useful you have remained in right site to start getting this info acquire the orthopa c die traumatologie 2e a c dition link that we allow here and check out the link

acta orthopaedica et traumatologica turcica wikipedi - Jul 15 2023

web acta orthopaedica et traumatologica turcica 1962 den beri türk ortopedi ve travmatoloji derneği nin totder resmi yayın organıdır dergi kendi alanında dünyadaki en saygın ve en uzun süreli türkçe hakemli yayın olma özelliğine sahiptir ortopedi ve travmatoloji alanında tanı tedavi koruyucu hekimlik methodları ve ortopedi ve

tus ortopedi ve travmatoloji taban puanları ve sıralamaları 2023 - Feb 10 2023

web jun 16 2023 güncel tus ortopedi ve travmatoloji taban puanları 2023 tamamı bu sayfada sba sağlık bakanlığı adına Üniversite tip kontenjanlarını eah sağlık bakanlığı eğitim ve araştırma hastanesi kontenjanlarını ifade etmektedir kont yer yazan sütunda 2023 1 nisan yerleştirmesinde açılan kontenjan ve yerleşen aday

orthopa c die traumatologie dossiers progressifs - Oct 06 2022

web guides you could enjoy now is orthopa c die traumatologie dossiers progressifs below orthopa c die traumatologie

dossiers progressifs downloaded from georgiacollegesurvey gcsu edu by guest malone mason leading a surgical revolution
springer instrumented gait analysis systems offer objective evaluation of the

orthopa c die traumatologie dossiers progressifs pdf copy - Mar 11 2023

web orthopa c die traumatologie dossiers progressifs pdf pages 3 27 orthopa c die traumatologie dossiers progressifs pdf
upload mia f hayda 3 27 downloaded from status restek wwu edu on august 31 2023 by mia f hayda injury prevention this
book offers valuable resource to orthopaedists sports physicians as well as physiotherapists

orthopa c die traumatologie dossiers progressifs bernard - Jan 29 2022

web this orthopa c die traumatologie dossiers progressifs as one of the most keen sellers here will categorically be
accompanied by the best options to review hypnosis and hypnotherapy with children fourth edition daniel p kohen 2012 03
29 updated and revised in response to developments in

orthopedics and traumatology acbadem sađlık grubu - May 13 2023

web jan 27 2020 pediatric orthopedics and traumatology the unit deals with follow up and treatment of congenital dysplasia
of hip for children younger than 16 years of age pes equinovarus cerebral paralysis myelomeningocele congenital deformities
pes planus tumors developmental disorders and fractures

orthopa c die traumatologie pdf copy voto uncal edu - Dec 28 2021

web orthopa c die traumatologie pdf orthopa c die traumatologie pdf this is likewise one of the factors by obtaining the soft
documents of this orthopa c die traumatologie pdf by online you might not require more era to spend to go to the book
introduction as well as search for them in some cases you likewise accomplish not discover the

orthopa c die traumatologie neurocme med ucla edu - Nov 07 2022

web orthopa c die traumatologie 1 orthopa c die traumatologie thank you unquestionably much for downloading orthopa c
die traumatologie most likely you have knowledge that people have see numerous time for their favorite books in imitation of
this orthopa c die traumatologie but end up in harmful downloads

download solutions orthopa c die traumatologie - Jun 14 2023

web therapie in der unfallchirurgie und der traumatologischen orthopädie die in klinik und praxis auftreten können in über
100 tips und tricks werden die probleme geschildert und lösungen oder alternativen vorgeschlagen die häufig besonders
kostengünstig un patientenfreundlich sind die beiträge sind

operative orthopädie und traumatologie home springer - Aug 16 2023

web operative orthopädie und traumatologie die operative orthopädie und traumatologie wendet sich an alle operativ tätige
Ärztinnen und Ärzte im bereich der orthopädie traumatologie allgemeinchirurgie handchirurgie sportmedizin Ärztinnen und
Ärzte anderer chirurgischer fachrichtungen sowie niedergelassenen

orthopa c die traumatologie uniport edu ng - Jun 02 2022

web jul 6 2023 orthopa c die traumatologie 2 12 downloaded from uniport edu ng on july 6 2023 by guest with the aid of high quality illustrations take home messages and key recommendations are highlighted this book will be of value to practitioners and researchers alike spezielle plastische chirurgie erwin gohrbrandt 1973 01 01

ortopedi ve travmatoloji anadolu sađlık merkezi - Sep 05 2022

web anadolu sađlık merkezi ortopedi ve travmatoloji bölümümüzde kas iskelet sistemi hastalıklarının tanısı tedavisi ve rehabilitasyonu konularında hizmet veriyoruz ortopedi ve travmatoloji nin alanına giren konular eklem protez cerrahisi diz omuz kalça dirsek protezleri el ve üst ekstremitte cerrahisi

ortopedi ve travmatoloji ministry of health - Mar 31 2022

web adres ve dahili numara başakşehir mahallesi g 434 caddesi no 21 başakşehir İstanbul 90 212 909 60 00 nasıl gidilir ortopedi ve travmatoloji kliniğinin yer aldığı c blok poliklinik ve servislerine hastanemizin web sitesinde tarif edildiği şekilde toplu taşıma veya özel araç ile ulaşılabilir klinikle ilgili anahtar

orthopa c die traumatologie dossiers progressifs - Dec 08 2022

web 4 orthopa c die traumatologie dossiers progressifs 2022 05 01 the efforts of the ao s affiliated surgeons undertaken largely on a volunteer basis and with their own financial resources serve as a stellar example of social entrepreneurship today the ao foundation numbers over 20 000 surgeon

ortopedik protez ve ortez 2023 taban puanları ve sıralamaları - May 01 2022

web jun 13 2023 tablo sütunları aşağıdaki gibidir ortopedik protez ve ortez bölümü 2023 taban puanları en düşük 186 18461 en yüksek 341 41984 tür ortopedik protez ve ortez bölümü 2023 başarı sıralaması en düşük 1723956 en yüksek 267570 tir ortopedik protez ve

orthopa c die traumatologie dossiers progressifs - Jan 09 2023

web most less latency times to download any of our books following this one merely said the orthopa c die traumatologie dossiers progressifs is universally compatible past any devices to read orthopa c die traumatologie dossiers progressifs downloaded from georgiacollegesurvey gcsu edu by guest brooks howell nimesulide actions and

every living thing james herriot google books - Jun 16 2022

web for the first time in over a decade the world s favorite veterinarian james herriot returns us in a twinkle to the rural green enclave of england called yorkshire for more irresistible tales of animals and people at long last another treat from herriot in stories of wonders great and small james reintroduces many old friends like mrs

every living thing the classic memoirs of a yorkshire country vet - Jul 18 2022

web the fifth volume of memoirs from the author who inspired the bbc series all creatures great and small during his decades

spent as a country vet in yorkshire james herriot has seen huge advances in medical science technological leaps and a world irrevocably changed by war

[every living thing herriot james free download borrow and](#) - Jul 30 2023

web every living thing by herriot james publication date 1992 topics herriot james veterinarians large type books publisher boston mass g k hall

every living thing the classic memoirs of a yorkshire country - May 28 2023

web may 17 2012 the fifth volume of memoirs from the author who inspired the bbc and channel 5 series all creatures great and small in every living thing james herriot brings back familiar and much loved friends including his partner siegfried and his most lucrative patient the delightful tricki woo

every living thing by james herriot goodreads - Apr 26 2023

web aug 15 1992 4 47 15 184 ratings 790 reviews for more than twenty years james herriot has captivated millions of readers and television viewers with tales of the triumphs disasters pride and sometimes heartache that filled his life as a vet in the yorkshire dales

[every living thing herriot james free download borrow and](#) - Oct 21 2022

web contributor internet archive language english 343 pages 24 cm veterinarian herriot continues his delightful recollections of his work among the animals people of the yorkshire dales in the 1950s access restricted item true addeddate

every living thing all creatures great and small herriot james - Jun 28 2023

web sep 8 2015 every living thing the warm and joyful memoirs of the world s most beloved animal doctor brings back familiar friends including old favorites such as tricki woo and introduces new ones including herriot s children rosie and jimmy and the marvelously eccentric vet calum buchanan

every living thing by james herriot audiobook audible com - Dec 23 2022

web every living thing the warm and joyful memoirs of the world s most beloved animal doctor brings back familiar friends including old favorites such as tricki woo and introduces new ones including herriot s children rosie and jimmy and the marvelously eccentric vet calum buchanan

every living thing herriot james 9780312348526 - Jan 24 2023

web nov 15 2005 james herriot s final work and last in his beloved series of animal stories this fifth and final of james herriot s heartwarming story collections brings back familiar friends including old favorites such as tricki woo and introduces new ones including herriot s children rosie and jimmy and the marvelously eccentric vet calum buchanan

every living thing james herriot christopher timothy - Feb 22 2023

web jan 1 1992 the author of all creatures great and small offers readers a collection of new memoirs describing the family

and friends human and animal who share his life on the yorkshire dales biography part of series all creatures great and small language english publication date january 1 1992 isbn 10 1858481368 isbn 13 978 1858481364 see all

the books of james herriot masterpiece official site pbs - Mar 26 2023

web all things bright and beautiful originally published in 1974 book summary readers continue to get compelling humorous stories of the young vet still in the early years of his professional

[every living thing wikipedia](#) - Apr 14 2022

web every living thing may refer to every living thing stories by cynthia rylant every living thing book a book on biology by rob dunn every living thing a book by james herriot this disambiguation page lists articles associated with

[every living thing james herriot google books](#) - Aug 19 2022

web nov 15 2011 every living thing james herriot open road media nov 15 2011 biography autobiography 378 pages the 1 new york times bestselling author of all creatures great and small reflects on

[every living thing by james herriot chapters 5 6 youtube](#) - May 16 2022

web oct 6 2022 chapter 5 james shows helen his new suit and they realize that it will need extensive alteration to fit him later james heads out on a urgent call to a far

every living thing all creatures great and small 8 by james herriot - Mar 14 2022

web may 14 2023 112 views 3 months ago james herriot s every living thing is a heartwarming and insightful collection of stories about the life of a country veterinarian in rural england during the mid

every living thing by james herriot pan macmillan - Aug 31 2023

web sep 14 2023 synopsis the fifth volume of memoirs from the author who inspired the bbc and channel 5 series all creatures great and small in every living thing james herriot brings back familiar and much loved friends including his

partner siegfried and his most lucrative patient the delightful tricki woo

[every living thing all creatures great and small james herriot](#) - Jan 12 2022

web aug 15 1992 every living thing all creatures great and small james herriot alf wight 9780312081881 amazon com books books

editions of every living thing by james herriot goodreads - Nov 21 2022

web aug 15 1992 rate this book 1 of 5 stars 2 of 5 stars 3 of 5 stars 4 of 5 stars 5 of 5 stars previous 1 2 3 next per page editions for every living thing 0330443453 paperback published in 2006 kindle edition published in 2011 kindle edition

031208188x paperback pu

every living thing all creatures great and small amazon com - Sep 19 2022

web nov 15 2011 every living thing all creatures great and small kindle edition by herriot james download it once and read

it on your kindle device pc phones or tablets use features like bookmarks note taking and highlighting while reading every living thing all creatures great and small

every living thing by james herriot audiobook audible com au - Feb 10 2022

web a few months of married bliss a lovers nest in darrowby and the wonders of home cooking are rudely interrupted for james herriot by the second world war james herriot s fifth volume of memoirs relocates him to a training camp somewhere in england