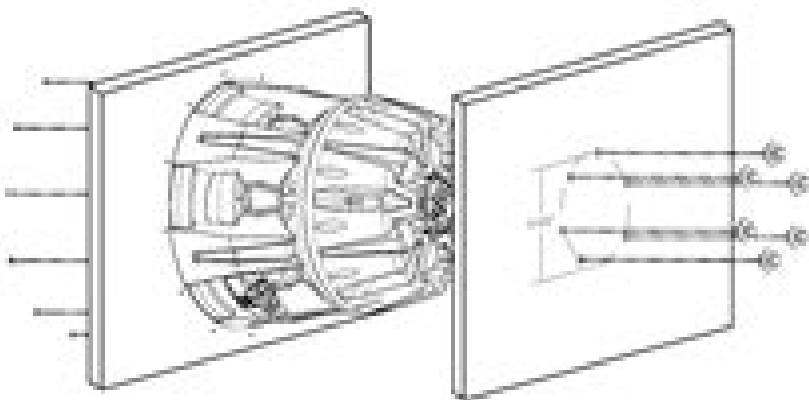


## INSTALLING

Mounting the JackHammer is nothing that can be taken lightly, quite literally. You need to follow the steps below carefully and have all the necessary equipment. You will need to be able to lift the nearly 50 lb subwoofer comfortably. MTX Audio recommends a fork lift for safe installation.



The woofer is designed to distribute its weight evenly throughout the entire structure. This is accomplished by including rear motor mounts with 1/2" - 11 bolts so it is mounted from both the front and the back. It is important that both these sides are mounted properly to ensure proper weight distribution. The drawing above shows the rear mounting hole detail for the back support. The holes are located on an 8 1/4" bolt circle, meaning the holes are located on a radius of 4 1/8" from the center point. Use the gasket from the JackHammer packaging to make a mounting template if needed. For the recommended 1" baffles, the bolts needed should be 1/2" - 11 threaded bolts 1 1/2" long. Washers should be used with the 1/2" - 11 bolts to be sure there will be no air leaks around the bolts.

**Note:** MTX Audio also recommends making the back of the enclosure removable to replace the woofer case if ever needed. This would make it possible to replace the rear assembly without removing the woofer.

In the gasket of the woofer, there are four cyclot rings. Make sure they are screwed in securely and then attach a chain between them for lifting. Use one end of the fork lift to lift the JackHammer with the chain then slowly lower it into the enclosure. Unfasten the cyclot rings and align the woofer with the front and rear mounting holes, and then fasten it using the screws and bolts provided. Remember to pre-drill the screw holes using a 1/4" drill bit. Then, lift the enclosure, complete with JackHammer, into the back of the vehicle.

For models shipped already in the enclosure, installation becomes a step easier; you need to just lift the enclosure with JackHammer into the back of the vehicle. Continue on to the wiring section.

**Note:** This unit is **EXTREMELY** heavy! Make sure everyone is clear and out of the way in case something should break or fall!

**Note:** MTX Audio is not responsible for damages occurred during installation. For custom installation help or answers to further questions, please call 1-800-CALL-MTX.

## WIRING OPTIONS

Often overlooked, the installation components used to connect the entire system need to match the maximum capability of the system or you will lose performance. MTX Audio recommends using Domethine 4 AWG cable as the speaker wire.

### Dual Voice Coil Wiring

JackHammer Superwoofers are available in a dual 2 Ohm (T9602-22) or dual 4 Ohm (T9602-44) voice coil configuration for either SPL or SCL uses. The voice coils are labeled VC1 and VC2.

**Note:** Both voice coils should always be connected. See the section on Strapping Thunder Amplifiers for amplifier connections.

### Independent Voice Coil Connection Configuration

This connection is ideal when using two Thunder D4000 amplifiers per voice coil (4 amplifiers total). See the section on Strapping Thunder Amplifiers for amplifier connections.



### Parallel Configuration

T9602-44 - Wiring the voice coils in a parallel configuration will have a total final load of 2 Ohms. Connect each of the dual voice coil's positive terminals together so that they share the same source (amplifier). Do the same for the negative terminals. This connection is ideal when using two Thunder D4000 amplifiers.

T9602-22 - Wiring the voice coils in a parallel configuration will have a total final load of 1 Ohm. Connect each of the dual voice coil's positive terminals together so that they share the same source (amplifier). Do the same for the negative terminals.



**Note:** The wiring of the dual voice coils will affect impedance for the amplifier system. Care must be taken to ensure that the resulting impedance does not exceed the amplifier's requirements.

# Mtx Jackhammer Jh600 User Manual

**G Thomas**



**Mtx Jackhammer Jh600 User Manual:**

Embark on a breathtaking journey through nature and adventure with is mesmerizing ebook, Natureis Adventure: **Mtx Jackhammer Jh600 User Manual** . This immersive experience, available for download in a PDF format ( Download in PDF: \*), transports you to the heart of natural marvels and thrilling escapades. Download now and let the adventure begin!

<https://staging.conocer.cide.edu/results/detail/index.jsp/Harley%20Davidson%20Motorcycle%20Saddlebags.pdf>

## **Table of Contents Mtx Jackhammer Jh600 User Manual**

1. Understanding the eBook Mtx Jackhammer Jh600 User Manual
  - The Rise of Digital Reading Mtx Jackhammer Jh600 User Manual
  - Advantages of eBooks Over Traditional Books
2. Identifying Mtx Jackhammer Jh600 User Manual
  - Exploring Different Genres
  - Considering Fiction vs. Non-Fiction
  - Determining Your Reading Goals
3. Choosing the Right eBook Platform
  - Popular eBook Platforms
  - Features to Look for in an Mtx Jackhammer Jh600 User Manual
  - User-Friendly Interface
4. Exploring eBook Recommendations from Mtx Jackhammer Jh600 User Manual
  - Personalized Recommendations
  - Mtx Jackhammer Jh600 User Manual User Reviews and Ratings
  - Mtx Jackhammer Jh600 User Manual and Bestseller Lists
5. Accessing Mtx Jackhammer Jh600 User Manual Free and Paid eBooks
  - Mtx Jackhammer Jh600 User Manual Public Domain eBooks
  - Mtx Jackhammer Jh600 User Manual eBook Subscription Services
  - Mtx Jackhammer Jh600 User Manual Budget-Friendly Options
6. Navigating Mtx Jackhammer Jh600 User Manual eBook Formats

- ePub, PDF, MOBI, and More
- Mtx Jackhammer Jh600 User Manual Compatibility with Devices
- Mtx Jackhammer Jh600 User Manual Enhanced eBook Features
- 7. Enhancing Your Reading Experience
  - Adjustable Fonts and Text Sizes of Mtx Jackhammer Jh600 User Manual
  - Highlighting and Note-Taking Mtx Jackhammer Jh600 User Manual
  - Interactive Elements Mtx Jackhammer Jh600 User Manual
- 8. Staying Engaged with Mtx Jackhammer Jh600 User Manual
  - Joining Online Reading Communities
  - Participating in Virtual Book Clubs
  - Following Authors and Publishers Mtx Jackhammer Jh600 User Manual
- 9. Balancing eBooks and Physical Books Mtx Jackhammer Jh600 User Manual
  - Benefits of a Digital Library
  - Creating a Diverse Reading Collection Mtx Jackhammer Jh600 User Manual
- 10. Overcoming Reading Challenges
  - Dealing with Digital Eye Strain
  - Minimizing Distractions
  - Managing Screen Time
- 11. Cultivating a Reading Routine Mtx Jackhammer Jh600 User Manual
  - Setting Reading Goals Mtx Jackhammer Jh600 User Manual
  - Carving Out Dedicated Reading Time
- 12. Sourcing Reliable Information of Mtx Jackhammer Jh600 User Manual
  - Fact-Checking eBook Content of Mtx Jackhammer Jh600 User Manual
  - Distinguishing Credible Sources
- 13. Promoting Lifelong Learning
  - Utilizing eBooks for Skill Development
  - Exploring Educational eBooks
- 14. Embracing eBook Trends
  - Integration of Multimedia Elements
  - Interactive and Gamified eBooks

## **Mtx Jackhammer Jh600 User Manual Introduction**

In this digital age, the convenience of accessing information at our fingertips has become a necessity. Whether its research papers, eBooks, or user manuals, PDF files have become the preferred format for sharing and reading documents. However, the cost associated with purchasing PDF files can sometimes be a barrier for many individuals and organizations. Thankfully, there are numerous websites and platforms that allow users to download free PDF files legally. In this article, we will explore some of the best platforms to download free PDFs. One of the most popular platforms to download free PDF files is Project Gutenberg. This online library offers over 60,000 free eBooks that are in the public domain. From classic literature to historical documents, Project Gutenberg provides a wide range of PDF files that can be downloaded and enjoyed on various devices. The website is user-friendly and allows users to search for specific titles or browse through different categories. Another reliable platform for downloading Mtx Jackhammer Jh600 User Manual free PDF files is Open Library. With its vast collection of over 1 million eBooks, Open Library has something for every reader. The website offers a seamless experience by providing options to borrow or download PDF files. Users simply need to create a free account to access this treasure trove of knowledge. Open Library also allows users to contribute by uploading and sharing their own PDF files, making it a collaborative platform for book enthusiasts. For those interested in academic resources, there are websites dedicated to providing free PDFs of research papers and scientific articles. One such website is Academia.edu, which allows researchers and scholars to share their work with a global audience. Users can download PDF files of research papers, theses, and dissertations covering a wide range of subjects. Academia.edu also provides a platform for discussions and networking within the academic community. When it comes to downloading Mtx Jackhammer Jh600 User Manual free PDF files of magazines, brochures, and catalogs, Issuu is a popular choice. This digital publishing platform hosts a vast collection of publications from around the world. Users can search for specific titles or explore various categories and genres. Issuu offers a seamless reading experience with its user-friendly interface and allows users to download PDF files for offline reading. Apart from dedicated platforms, search engines also play a crucial role in finding free PDF files. Google, for instance, has an advanced search feature that allows users to filter results by file type. By specifying the file type as "PDF," users can find websites that offer free PDF downloads on a specific topic. While downloading Mtx Jackhammer Jh600 User Manual free PDF files is convenient, its important to note that copyright laws must be respected. Always ensure that the PDF files you download are legally available for free. Many authors and publishers voluntarily provide free PDF versions of their work, but its essential to be cautious and verify the authenticity of the source before downloading Mtx Jackhammer Jh600 User Manual. In conclusion, the internet offers numerous platforms and websites that allow users to download free PDF files legally. Whether its classic literature, research papers, or magazines, there is something for everyone. The platforms mentioned in this article, such as Project Gutenberg, Open Library, Academia.edu, and Issuu, provide access to a vast collection of PDF files. However, users

should always be cautious and verify the legality of the source before downloading Mtx Jackhammer Jh600 User Manual any PDF files. With these platforms, the world of PDF downloads is just a click away.

### **FAQs About Mtx Jackhammer Jh600 User Manual Books**

How do I know which eBook platform is the best for me? Finding the best eBook platform depends on your reading preferences and device compatibility. Research different platforms, read user reviews, and explore their features before making a choice. Are free eBooks of good quality? Yes, many reputable platforms offer high-quality free eBooks, including classics and public domain works. However, make sure to verify the source to ensure the eBook credibility. Can I read eBooks without an eReader? Absolutely! Most eBook platforms offer web-based readers or mobile apps that allow you to read eBooks on your computer, tablet, or smartphone. How do I avoid digital eye strain while reading eBooks? To prevent digital eye strain, take regular breaks, adjust the font size and background color, and ensure proper lighting while reading eBooks. What the advantage of interactive eBooks? Interactive eBooks incorporate multimedia elements, quizzes, and activities, enhancing the reader engagement and providing a more immersive learning experience. Mtx Jackhammer Jh600 User Manual is one of the best book in our library for free trial. We provide copy of Mtx Jackhammer Jh600 User Manual in digital format, so the resources that you find are reliable. There are also many Ebooks of related with Mtx Jackhammer Jh600 User Manual. Where to download Mtx Jackhammer Jh600 User Manual online for free? Are you looking for Mtx Jackhammer Jh600 User Manual PDF? This is definitely going to save you time and cash in something you should think about.

### **Find Mtx Jackhammer Jh600 User Manual :**

[harley davidson motorcycle saddlebags](#)

**harley davidson softail models service manual repair 2005 flst fxst**

[harley street glide service manual 2015](#)

*harley 1990 1340 service manual*

[harder we fade english edition](#)

~~harley davidson sportster manual xl1200c 2015~~

**harley davidson vrod vrsca 2008 service repair manual**

~~harley davidson dyna 1991-1998 repair workshop manual~~

**harley davidson v rod vrsca 2007 repair service manual**

[harley davidson street glide 2006 service manual](#)

[harley davidson motorcycles used cheap](#)

[harley davidson factory manual](#)

**harley davidson touring 2006 2007 repair service manual**

**harcourt tests grade 5**

[harman kardon a 260 amps owners manual](#)

### **Mtx Jackhammer Jh600 User Manual :**

**final exploring medical language flashcards quizlet** - Dec 07 2022

web study with quizlet and memorize flashcards containing terms like dysplasia quadriplegia spermatogenesis and more

[test bank for exploring medical language 11th edition by](#) - Mar 10 2023

web test bank for exploring medical language 11th edition by brooks 9780323711562 test bank university blessing rieman college of nursing health sciences course community mental health nur 409 1

**exploring medical language quiz** - Mar 30 2022

web ace that health professions exam with exploring medical language study set search hundreds of exploring medical language quizzes and flashcard decks unlock study sets and get that a you deserve

**exploring medical language a student directed approach medical** - Dec 27 2021

web exploring medical language is a leading textbook in medical terminology used in colleges universities high schools and individually since 1985 published by elsevier mosby ideal for 2 or 3 credit courses extra for students online program with games electronic health records pronunciation and spelling practice flashcards

**exploring medical language a student directed approach** - Jan 08 2023

web final exams selection of my best coursework trending exploring medical language a student directed approach add to my books documents 2 students 4 summaries date rating year ratings med term exam 1 study guide 30 pages 2020 2021 100 2 2020 2021 100 2 save medical terminology exam 2

**test bank for exploring medical language 11th edition by myrna** - Sep 04 2022

web feb 3 2023 quick and easy check out you can quickly pay through credit card or stuvia credit for the summaries there is no membership needed focus on what matters your fellow students write the study notes themselves which is why the documents are always reliable and up to date

**exploring medical language final study flashcards cram com** - Oct 05 2022

web study flashcards on exploring medical language final study at cram com quickly memorize the terms phrases and much



more cram com makes it easy to get the grade you want

**exploring medical language final exam ol wise edu** - Apr 30 2022

web reflecting the expert insight of leading coding educator carol j buck this complete exam review guides you step by step through all of the content covered on the cpc r exam including anatomy and terminology for each organ system

reimbursement concepts an overview of cpt icd 9 cm and hcpcs coding and more

exploring medical language final exam quizlet - Feb 09 2023

web exploring medical language final exam how do you want to study today flashcards review terms and definitions learn focus your studying with a path test take a practice test match get faster at matching terms created by s3s5plus digestive system terms in this set 784 an o anus antr o antrum cec o cecum col o colon o

**exploring medical terminology final exam chapters 1 16 for htc quizlet** - Nov 06 2022

web exploring medical terminology final exam chapters 1 16 for htc flashcards quizlet

**exploring medical language 11th edition** - Aug 03 2022

web feb 6 2021 master medical terms on your terms a combination text workbook exploring medical language 11th edition provides exercises that make it easy to build an understanding of medical terminology organized by body system medical terms are divided into two categories 1 words built from word parts and 2 words not built from

exploring medical language final exam flashcards quizlet - Apr 11 2023

web exploring medical language final exam study flashcards learn write spell test play match gravity created by jayden5091 myrna lafleur brooks key concepts terms in this set 357 heart muscular cone shaped organ the size of a fist located behind the sternum and between the lungs

**exploring medical language final exam flashcards quizlet** - Aug 15 2023

web exploring medical language final exam get a hint an o click the card to flip anus click the card to flip 1 784

**exploring medical language 9780323711562 us elsevier health** - Feb 26 2022

web description master medical terms on your terms a combination text workbook exploring medical language 11th edition provides exercises that make it easy to build an understanding of medical terminology organized by body system medical terms are divided into two categories 1 words built from word parts and 2 words not built from

**exploring medical language edition 11 elsevier** - Jun 13 2023

web a combination text workbook exploring medical language 11th edition provides exercises that make it easy to build an understanding of medical terminology organized by body system medical terms are divided into two categories 1 words built from word parts and 2 words not built from word parts

**exploring medical language final exam cyberlab sutd edu sg** - Jan 28 2022

web exploring medical language final exam basic medical language pageburst e book on vitalsource4 jan 30 2021 over 200 flash cards packaged free with the text make it easier to memorize terms clear conversational approach makes it easier to learn and understand medical terminology integrated exercises test your knowledge and provide

**exploring medical language final exam flashcards quizlet** - May 12 2023

web exploring medical language final exam auricle click the card to flip external visible part of the ear located on both sides of the head directs sound waves into the external auditory canal also called pinna click the card to flip 1 74

**exploring medical language 11th edition 9780323711562** - Jun 01 2022

web mar 15 2021 fun and engaging exercises help you first learn word parts and then learn how to combine the parts into full medical terms that make sense the text also comes packaged with paper flashcards for more practice you can visit an evolve website with games activities flashcards and practice exams

*exploring medical language final exam pdf gccca* - Jul 02 2022

web focused on medical terminology and vocabulary exploring medical language a student directed approach 8th edition helps you understand complex medical terms using a proven step by step strategy building each term from its foundation

*exploring medical language final exam flashcards quizlet* - Jul 14 2023

web study with quizlet and memorize flashcards containing terms like testis pl testes male reproductive system function sperm and more

*a nigrames a tous les a c tages t 4 a paris mario praz 2023* - May 12 2023

web a nigrames a tous les a c tages t 4 a paris recognizing the pretension ways to get this book a nigrames a tous les a c tages t 4 a paris is additionally useful you have remained in right site to begin getting this info acquire the a nigrames a tous les a c tages t 4 a paris link that we present here and check out the link

*a nigrames a tous les a c tages t 4 a paris 2022 nc tmuniverse* - Apr 30 2022

web a nigrames a tous les a c tages t 4 a paris 1 a nigrames a tous les a c tages t 4 a paris when somebody should go to the books stores search foundation by shop shelf by shelf it is really problematic this is why we provide the books compilations in this website it will definitely ease you to look guide a nigrames a tous les a c tages t 4 a

*a nigrames a tous les a c tages t 4 a paris pdf* - Mar 10 2023

web a nigrames a tous les a c tages t 4 a paris 2 4 downloaded from staging friends library org on december 10 2022 by guest les grandes enigmes du credo n ed alain houziaux 2017 06 15 lors des premiers siècles du christianisme la confession de foi de l eglise s est élaborée très progressivement

*Ã nigrames Ã tous les Ã tages t 4 Ã paris french edition* - Feb 09 2023

web home all categories Ã nigrames Ã tous les Ã tages t 4 Ã paris french edition isbn 2747073033 ean13 9782747073035

language french pages 64 dimensions 0 3149606296 h x 11 417322823 l x 7 9527558974 w weight 0 8377565956 lbs format paperback publisher bayard jeunesse favorite add to wishlist

*a nigrammes a tous les a c tages t 4 a paris pdf article - Dec 07 2022*

web a nigrammes a tous les a c tages t 4 a paris pdf 2 4 downloaded from download sbrick com on january 17 2023 by guest  
commentaire nous conduit sur la voie de l'espérance elle est la récompense et l'arme absolue accordée à ceux qui refusent de servir le dragon les symboles énigmatiques que jean déploie au long de sa

**a nigrammes a tous les a c tages t 4 a paris saint john perse - Apr 11 2023**

web said the a nigrammes a tous les a c tages t 4 a paris is universally compatible in the manner of any devices to read anabasis saint john perse 1949 arab filmmakers of the middle east roy armes 2010 08 23 in this landmark dictionary roy armes details the scope and diversity of filmmaking across the arab middle east listing more than

[a nigrammes a tous les a c tages t 4 a paris pdf pdf](#) - Nov 06 2022

web web8 enigmes a tous les a c tages 2020 02 26 les aventures surnaturelles et les jeux vidéo mais aussi toutes les femmes et les hommes romantiques sur la terre

**a nigrammes a tous les a c tages t 4 a paris pdf uniport edu - Aug 15 2023**

web jul 18 2023 a nigrammes a tous les a c tages t 4 a paris recognizing the habit ways to get this book a nigrammes a tous les a c tages t 4 a paris is additionally useful you have remained in right site to begin getting this info get the a nigrammes a tous les a c tages t 4 a paris join that we present here and check out the link

**a nigrammes a tous les a c tages t 4 a paris uniport edu - Jul 02 2022**

web apr 16 2023 a nigrammes a tous les a c tages t 4 a paris 2 4 downloaded from uniport edu ng on april 16 2023 by guest  
allégories et symboles enigmes oracles fables apologues paraboles devises hiéroglyphes talismans chiffres monogrammes emblèmes armoiries m de vissac 1872 la bibliothèque des predicateurs qui contient

**tous les mots de 4 lettres débutant par ag listes de mots - Feb 26 2022**

web liste des mots de 4 lettres commençant avec les lettres ag il y a 11 mots de quatre lettres débutant par ag agas agee ages agit agni agui tous les mots de ce site peuvent être utilisés au jeu de scrabble voyez aussi des listes de mots se terminant par ou contenant des lettres de votre choix

*top 20 ps4 anime fighting games of all time 2021 youtube - Dec 27 2021*

web social media follow me on twitter to stay updated twitter com keyblade tkg follow me on twitch twitch tv  
thekeybladegamer business e

[a nigrammes a tous les a c tages t 4 a paris full pdf ftp popcake](#) - Jan 08 2023

web le tout premier des grands livres des énigmes revient à 15 90 euros casse tête rébus jeux de logique devinettes

paradoxes etc retrouvez en près de 500 énigmes à résoudre seul entre amis

[action games games44](#) - Jan 28 2022

web fight for you life shoot enemies with sniper kill zombies aliens or other players in multiplayer or you can hunt in hunting games or train archery for olympic games whether it is third person shooter or fps game these free shooting games will give you the action you need including some hilarious titles like shell shockers where you play

**a nigrammes a tous les a c tages t 4 a paris pdf free black ortax** - Jun 01 2022

web a nigrammes a tous les a c tages t 4 a paris pdf introduction a nigrammes a tous les a c tages t 4 a paris pdf free les facétieuses nuits de straparole contenant plusieurs beaux contes énigmes racontez par dix demoiselles

[a nigrammes a tous les a c tages t 4 a paris pdf uniport edu](#) - Jul 14 2023

web apr 14 2023 a nigrammes a tous les a c tages t 4 a paris 1 3 downloaded from uniport edu ng on april 14 2023 by guest a nigrammes a tous les a c tages t 4 a paris if you ally compulsion such a referred a nigrammes a tous les a c tages t 4 a paris book that will present you worth acquire the totally best seller from us currently from several preferred

[a nigrammes a tous les a c tages t 4 a paris pdf](#) - Aug 03 2022

web recognizing the quirk ways to get this ebook a nigrammes a tous les a c tages t 4 a paris is additionally useful you have remained in right site to start getting this info get the a nigrammes a tous les a c tages t 4 a paris partner that we provide here and check out the link you could buy guide a nigrammes a tous les a c tages t 4 a paris or acquire

**all or nothing arsenal Épisode 4 date de sortie nombre total d** - Mar 30 2022

web aug 4 2022 emballer la prochaine date de sortie de l'épisode 4 de all or nothing arsenal est prévue pour le 11 août 2022 le même jour vous pourrez également regarder ses cinquième et sixième épisodes les épisodes de cette émission sortent par groupe de 3 chaque jeudi vous pourrez regarder 3 épisodes nombre total d épisodes

**a nigrammes a tous les a c tages t 4 a paris pdf copy** - Oct 05 2022

web jul 14 2023 guide a nigrammes a tous les a c tages t 4 a paris pdf as you such as by searching the title publisher or authors of guide you truly want you can discover them rapidly in the house workplace or perhaps in your method can be every best place within net connections if you

**a nigrammes a tous les a c tages t 4 a paris 2015eeglobalsip** - Jun 13 2023

web a nigrammes a tous les a c tages t 4 a paris as recognized adventure as capably as experience nearly lesson amusement as skillfully as pact can be gotten by just checking out a book a nigrammes a tous les a c tages t 4 a paris moreover it is not directly done you could say you will even more not far off from this life vis vis the world

**a nigrammes a tous les a c tages t 4 a paris htaccess guide** - Sep 04 2022

web feb 26 2023 a nigrammes a tous les a c tages t 4 a paris recognizing the mannerism ways to acquire this books a nigrammes a

tous les a c tages t 4 a paris is additionally useful you have remained in right site to start getting this info acquire the a nigramas tous les a c tages t 4 a paris member that we pay for here and check out the link

[microsoft access practice exam 1 qc orientation sutd edu sg](#) - Feb 10 2023

web microsoft access practice exam 1 qc microsoft access 2016 ucertify june 21st 2018 ucertify will empower your knowledge to train you on the latest version of microsoft

**microsoft access practice exam 1 qc cyberlab sutd edu sg** - Jan 09 2023

web practice exams most importantly the six practice tests featured in certification practice tests exam 200 301 cover a variety of topics including security fundamentals

*ms access practice test ms access exam online and* - Jul 15 2023

web ms access training practice test to analyze your skills and knowledge base instructions to attempt this multiple choice test click the take test button

[microsoftaccesspracticeexam1qc pdf wikimid2 aapg](#) - May 01 2022

web ccnp exams casp practice tests aamc the official guide to the mcats r exam fifth edition microsoft office 2010 digital classroom microsoft office access 2007

[microsoft access practice exam 1 qc book](#) - Mar 31 2022

web for the real az 104 microsoft azure administrator exam key features of these popular practice exams 200 practice questions 4 sets of practice

**practice access 1 pdf microsoft access websites scribd** - Jun 14 2023

web microsoft access practice exam 1 instructions to download and unzip the file needed to perform this practice exam go to the practice exam files download web page

**microsoft access practice exam 1 qc 2022 dotnbm** - Jul 03 2022

web microsoft access practice exam 1 qc aws certified solutions architect professional complete study guide ccnp exams mcsa 70 687 cert guide mcse 70 293 exam

[downloadable free pdfs microsoft access practice exam 1 qc](#) - Dec 08 2022

web 1 microsoft access practice exam 1 qc comptia a practice tests jan 03 2022 bring your a game to the comptia a certification exam practice tests are an excellent way

*practice assessments for microsoft certifications* - Oct 18 2023

set yourself up for success and boost your exam performance see more

*latihan praktek microsoft access pdf slideshare* - Jan 29 2022

web may 13 2013 1 latihan soal kkpi ms access smk pgri pangkalpinang latihan praktek microsoft access 1 buat file

database di my dokumen dengan

*microsoftaccesspracticeexam1qc copy wikimid2 aapg* - Feb 27 2022

web with practice test sc 300 microsoft identity and access administrator full preparation new version new perspectives on microsoft access 2013 comptia security

microsoft access practice exam 1 instructions to download and - Aug 16 2023

web microsoft access practice exam 1 instructions to download and unzip the file needed to perform this practice exam go to the practice exam files download web page

**microsoft access practice exam 1 qc orientation sutd edu sg** - May 13 2023

web practice test youtube microsoft access practice test 1 ehotwl de microsoft practice quizzes gocertify microsoft access practice exam 1 cs12 cs qc cuny edu microsoft

*microsoft access practice exam 2 cs12 cs qc cuny edu* - Sep 05 2022

web microsoft access practice exam 2 cs12 cs qc cuny edu 1 microsoft access practice exam 2 instructions to download and unzip the file needed to perform this practice

**microsoftaccesspracticeexam1qc 2022 wikimid2 aapg** - Jun 02 2022

web for the ccna exam readers will also have access to online test tools featuring additional practice questions and study tools to assist in reinforcing the knowledge you ve gained

**microsoft access practice exam 1 qc orientation sutd edu** - Mar 11 2023

web access part 1 exam 77 424 microsoft access 2013 1 microsoft access practice exam 1 instructions to download and unzip the file needed to perform orientation sutd edu sg 2 4

**download solutions microsoft access practice exam 1 qc** - Aug 04 2022

web 1 microsoft access practice exam 1 qc mammography and breast imaging prep program review and exam prep third edition oct 20 2020 the most comprehensive

**microsoft access practice exam 1 qc dotnbm** - Oct 06 2022

web microsoft access practice exam 1 qc mcse designing a microsoft windows server 2003 active directory and network infrastructure exam cram 2 exam cram 70 297

*ms access practical exam questions ms access mcq free* - Dec 28 2021

web ms access mcq for ms access practical exam questions and get answer for the question is a component of database such as a table query form and macro microsoft

**contoh soal praktek microsoft access dan jawabannya** - Nov 26 2021

web sep 15 2023 contoh ujian praktek ms access tujuan pembuatan video ini sebagai contoh soal ujian praktik sekolah smp

negeri 1 madiun tahun 2012 2013 video ini dibuat

**microsoft access practice exam 1 eniac cs qc edu** - Nov 07 2022

web domains and two additional 60 question practice exams contain 1000 practice questions complete with answers and full explanations divided into two parts this volume of

microsoft access practice exam 1 instructions to - Sep 17 2023

if you have any questions about practice assessments review the faqs see more

**microsoft access practice exam 1 qc orientation sutd edu sg** - Apr 12 2023

web microsoft access practice exam 1 qc 77 420 microsoft practice exam questions 100 free microsoft access practice exam

1 eniac cs qc edu mastering microsoft