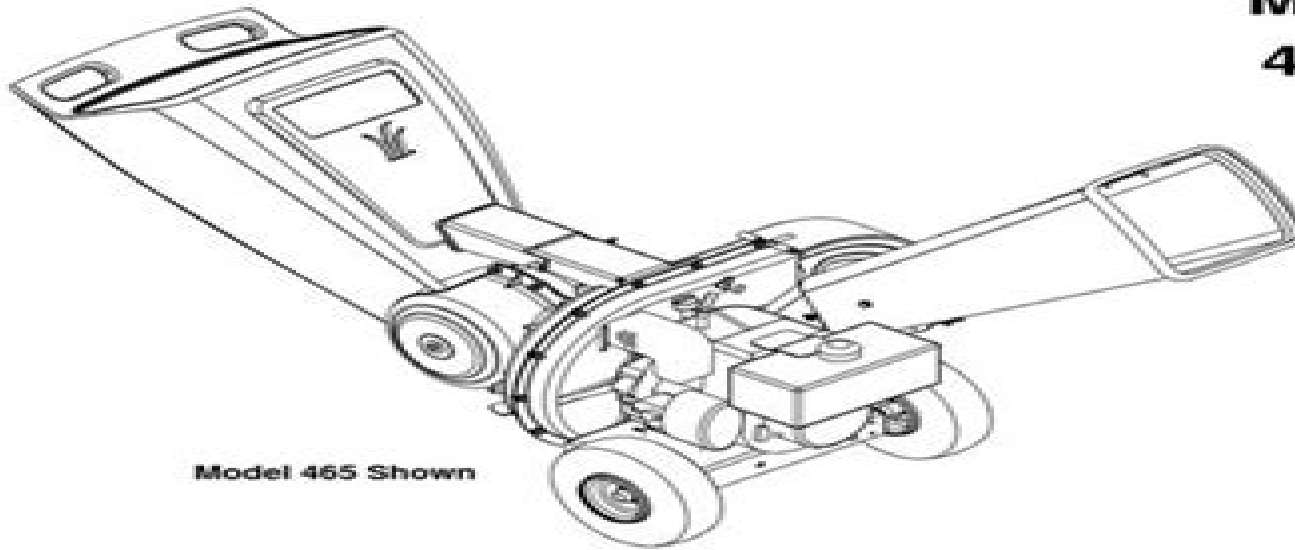


OPERATOR'S MANUAL

Chipper Shredder Model Series 462 thru 465



Model 465 Shown

**IMPORTANT:
READ SAFETY RULES
AND INSTRUCTIONS CAREFULLY.**

P. O. BOX 1386, KITCHENER, ONTARIO N2G 4J1

PRINTED IN U.S.A.

772C0505C
(07/04)

Mtd 5 Hp Chipper Shredder Parts Manual

Clifford Lane



Mtd 5 Hp Chipper Shredder Parts Manual:

Eventually, you will certainly discover a extra experience and achievement by spending more cash. nevertheless when? attain you take that you require to acquire those all needs when having significantly cash? Why dont you attempt to acquire something basic in the beginning? Thats something that will lead you to understand even more going on for the globe, experience, some places, behind history, amusement, and a lot more?

It is your definitely own times to piece of legislation reviewing habit. in the course of guides you could enjoy now is **Mtd 5 Hp Chipper Shredder Parts Manual** below.

https://staging.conocer.cide.edu/data/Resources/HomePages/Milady_Standard_Cosmetology_2edition_Theory_Workbook.pdf

Table of Contents Mtd 5 Hp Chipper Shredder Parts Manual

1. Understanding the eBook Mtd 5 Hp Chipper Shredder Parts Manual
 - The Rise of Digital Reading Mtd 5 Hp Chipper Shredder Parts Manual
 - Advantages of eBooks Over Traditional Books
2. Identifying Mtd 5 Hp Chipper Shredder Parts Manual
 - Exploring Different Genres
 - Considering Fiction vs. Non-Fiction
 - Determining Your Reading Goals
3. Choosing the Right eBook Platform
 - Popular eBook Platforms
 - Features to Look for in an Mtd 5 Hp Chipper Shredder Parts Manual
 - User-Friendly Interface
4. Exploring eBook Recommendations from Mtd 5 Hp Chipper Shredder Parts Manual
 - Personalized Recommendations
 - Mtd 5 Hp Chipper Shredder Parts Manual User Reviews and Ratings
 - Mtd 5 Hp Chipper Shredder Parts Manual and Bestseller Lists
5. Accessing Mtd 5 Hp Chipper Shredder Parts Manual Free and Paid eBooks

- Mtd 5 Hp Chipper Shredder Parts Manual Public Domain eBooks
 - Mtd 5 Hp Chipper Shredder Parts Manual eBook Subscription Services
 - Mtd 5 Hp Chipper Shredder Parts Manual Budget-Friendly Options
6. Navigating Mtd 5 Hp Chipper Shredder Parts Manual eBook Formats
 - ePub, PDF, MOBI, and More
 - Mtd 5 Hp Chipper Shredder Parts Manual Compatibility with Devices
 - Mtd 5 Hp Chipper Shredder Parts Manual Enhanced eBook Features
 7. Enhancing Your Reading Experience
 - Adjustable Fonts and Text Sizes of Mtd 5 Hp Chipper Shredder Parts Manual
 - Highlighting and Note-Taking Mtd 5 Hp Chipper Shredder Parts Manual
 - Interactive Elements Mtd 5 Hp Chipper Shredder Parts Manual
 8. Staying Engaged with Mtd 5 Hp Chipper Shredder Parts Manual
 - Joining Online Reading Communities
 - Participating in Virtual Book Clubs
 - Following Authors and Publishers Mtd 5 Hp Chipper Shredder Parts Manual
 9. Balancing eBooks and Physical Books Mtd 5 Hp Chipper Shredder Parts Manual
 - Benefits of a Digital Library
 - Creating a Diverse Reading Collection Mtd 5 Hp Chipper Shredder Parts Manual
 10. Overcoming Reading Challenges
 - Dealing with Digital Eye Strain
 - Minimizing Distractions
 - Managing Screen Time
 11. Cultivating a Reading Routine Mtd 5 Hp Chipper Shredder Parts Manual
 - Setting Reading Goals Mtd 5 Hp Chipper Shredder Parts Manual
 - Carving Out Dedicated Reading Time
 12. Sourcing Reliable Information of Mtd 5 Hp Chipper Shredder Parts Manual
 - Fact-Checking eBook Content of Mtd 5 Hp Chipper Shredder Parts Manual
 - Distinguishing Credible Sources
 13. Promoting Lifelong Learning
 - Utilizing eBooks for Skill Development

- Exploring Educational eBooks
- 14. Embracing eBook Trends
 - Integration of Multimedia Elements
 - Interactive and Gamified eBooks

Mtd 5 Hp Chipper Shredder Parts Manual Introduction

In today's digital age, the availability of Mtd 5 Hp Chipper Shredder Parts Manual books and manuals for download has revolutionized the way we access information. Gone are the days of physically flipping through pages and carrying heavy textbooks or manuals. With just a few clicks, we can now access a wealth of knowledge from the comfort of our own homes or on the go. This article will explore the advantages of Mtd 5 Hp Chipper Shredder Parts Manual books and manuals for download, along with some popular platforms that offer these resources. One of the significant advantages of Mtd 5 Hp Chipper Shredder Parts Manual books and manuals for download is the cost-saving aspect. Traditional books and manuals can be costly, especially if you need to purchase several of them for educational or professional purposes. By accessing Mtd 5 Hp Chipper Shredder Parts Manual versions, you eliminate the need to spend money on physical copies. This not only saves you money but also reduces the environmental impact associated with book production and transportation. Furthermore, Mtd 5 Hp Chipper Shredder Parts Manual books and manuals for download are incredibly convenient. With just a computer or smartphone and an internet connection, you can access a vast library of resources on any subject imaginable. Whether you're a student looking for textbooks, a professional seeking industry-specific manuals, or someone interested in self-improvement, these digital resources provide an efficient and accessible means of acquiring knowledge. Moreover, PDF books and manuals offer a range of benefits compared to other digital formats. PDF files are designed to retain their formatting regardless of the device used to open them. This ensures that the content appears exactly as intended by the author, with no loss of formatting or missing graphics. Additionally, PDF files can be easily annotated, bookmarked, and searched for specific terms, making them highly practical for studying or referencing. When it comes to accessing Mtd 5 Hp Chipper Shredder Parts Manual books and manuals, several platforms offer an extensive collection of resources. One such platform is Project Gutenberg, a nonprofit organization that provides over 60,000 free eBooks. These books are primarily in the public domain, meaning they can be freely distributed and downloaded. Project Gutenberg offers a wide range of classic literature, making it an excellent resource for literature enthusiasts. Another popular platform for Mtd 5 Hp Chipper Shredder Parts Manual books and manuals is Open Library. Open Library is an initiative of the Internet Archive, a non-profit organization dedicated to digitizing cultural artifacts and making them accessible to the public. Open Library hosts millions of books, including both public domain works and contemporary titles. It also allows users to borrow digital copies of certain books for a limited

period, similar to a library lending system. Additionally, many universities and educational institutions have their own digital libraries that provide free access to PDF books and manuals. These libraries often offer academic texts, research papers, and technical manuals, making them invaluable resources for students and researchers. Some notable examples include MIT OpenCourseWare, which offers free access to course materials from the Massachusetts Institute of Technology, and the Digital Public Library of America, which provides a vast collection of digitized books and historical documents. In conclusion, Mtd 5 Hp Chipper Shredder Parts Manual books and manuals for download have transformed the way we access information. They provide a cost-effective and convenient means of acquiring knowledge, offering the ability to access a vast library of resources at our fingertips. With platforms like Project Gutenberg, Open Library, and various digital libraries offered by educational institutions, we have access to an ever-expanding collection of books and manuals. Whether for educational, professional, or personal purposes, these digital resources serve as valuable tools for continuous learning and self-improvement. So why not take advantage of the vast world of Mtd 5 Hp Chipper Shredder Parts Manual books and manuals for download and embark on your journey of knowledge?

FAQs About Mtd 5 Hp Chipper Shredder Parts Manual Books

1. Where can I buy Mtd 5 Hp Chipper Shredder Parts Manual books? Bookstores: Physical bookstores like Barnes & Noble, Waterstones, and independent local stores. Online Retailers: Amazon, Book Depository, and various online bookstores offer a wide range of books in physical and digital formats.
2. What are the different book formats available? Hardcover: Sturdy and durable, usually more expensive. Paperback: Cheaper, lighter, and more portable than hardcovers. E-books: Digital books available for e-readers like Kindle or software like Apple Books, Kindle, and Google Play Books.
3. How do I choose a Mtd 5 Hp Chipper Shredder Parts Manual book to read? Genres: Consider the genre you enjoy (fiction, non-fiction, mystery, sci-fi, etc.). Recommendations: Ask friends, join book clubs, or explore online reviews and recommendations. Author: If you like a particular author, you might enjoy more of their work.
4. How do I take care of Mtd 5 Hp Chipper Shredder Parts Manual books? Storage: Keep them away from direct sunlight and in a dry environment. Handling: Avoid folding pages, use bookmarks, and handle them with clean hands. Cleaning: Gently dust the covers and pages occasionally.
5. Can I borrow books without buying them? Public Libraries: Local libraries offer a wide range of books for borrowing. Book Swaps: Community book exchanges or online platforms where people exchange books.

6. How can I track my reading progress or manage my book collection? Book Tracking Apps: Goodreads, LibraryThing, and Book Catalogue are popular apps for tracking your reading progress and managing book collections. Spreadsheets: You can create your own spreadsheet to track books read, ratings, and other details.
7. What are Mtd 5 Hp Chipper Shredder Parts Manual audiobooks, and where can I find them? Audiobooks: Audio recordings of books, perfect for listening while commuting or multitasking. Platforms: Audible, LibriVox, and Google Play Books offer a wide selection of audiobooks.
8. How do I support authors or the book industry? Buy Books: Purchase books from authors or independent bookstores. Reviews: Leave reviews on platforms like Goodreads or Amazon. Promotion: Share your favorite books on social media or recommend them to friends.
9. Are there book clubs or reading communities I can join? Local Clubs: Check for local book clubs in libraries or community centers. Online Communities: Platforms like Goodreads have virtual book clubs and discussion groups.
10. Can I read Mtd 5 Hp Chipper Shredder Parts Manual books for free? Public Domain Books: Many classic books are available for free as they're in the public domain. Free E-books: Some websites offer free e-books legally, like Project Gutenberg or Open Library.

Find Mtd 5 Hp Chipper Shredder Parts Manual :

[milady standard cosmetology 2edition theory workbook](#)

[military surplus air cooled engines](#)

[*miller and levine biology teacher resources*](#)

[migration development and transnationalization](#)

[mindfulness meditation bringing mindfulness into everyday life](#)

[mighty mite 800b manual](#)

[milwaukee 4960 24 generators owners manual](#)

[mini cooper d workshop manual](#)

[miles the house of bannerman book 1](#)

[*mighty mac skid loader manual*](#)

[mini cooper 1984 repair service manual](#)

[*milton and the politics of public speech*](#)

[*mikuni bst34 carb manual*](#)

miller mig 35 repair manual

mind the gap physical science study guide grade 12

Mtd 5 Hp Chipper Shredder Parts Manual :

la cameretta di van gogh italian edition goodreads - Oct 09 2022

web may 19 2023 *la cameretta di van gogh* vincent invita paul gauguin il suo migliore amico a dipingere insieme in aspettando che arrivi ritrae la camera da letto e appende alle pareti quadri di girasoli il libro contiene le riproduzioni di 23 quadri di van gogh kindle edition published may 19 2023

van gogh capolavori dal kröller müller museum ediz illustrata - Jun 05 2022

web 3 mag 2023 *van gogh capolavori dal kröller müller museum ediz illustrata* è un libro di maria teresa benedetti francesca villanti pubblicato da skira nella collana arte moderna acquista su lafeltrinelli a 35 00

la cameretta di van gogh ediz a colori libreria ibs - Nov 10 2022

web descrizione vincent invita paul gauguin il suo migliore amico a dipingere insieme in provenza aspettando che arrivi ritrae la camera da letto e appende alle pareti quadri di girasoli il libro contiene le riproduzioni di 23 quadri di van gogh età di lettura da 5 anni

ebook la cameretta di van gogh ediz illustrata - May 04 2022

web la cameretta di van gogh ediz illustrata amsterdam ediz spagnola dec 16 2020 van gogh ediz a colori jun 14 2023 van gogh mar 31 2022 van gogh ediz italiana may 13 2023 van gogh ediz inglese jan 09 2023 vincent van gogh ediz inglese jul 15 2023 van gogh come non lo hai mai visto dec 28 2021 van gogh mar 11 2023

la cameretta di van gogh ediz illustrata copy - Sep 08 2022

web la cameretta di van gogh ediz a colori sep 30 2021 van gogh apr 25 2021 la cameretta di van gogh sep 11 2022 van gogh il colore al suo zenit ediz a colori nov 20 2020 van gogh ediz tedesca jun 20 2023 il mio piccolo van gogh in musica ediz a colori jan 23 2021 van gogh la notte stellata apr 06 2022

la cameretta di van gogh ediz a colori copertina rigida - Jul 18 2023

web vincent invita paul gauguin il suo migliore amico a dipingere insieme in provenza aspettando che arrivi ritrae la camera da letto e appende alle pareti quadri di girasoli il libro contiene le riproduzioni di 23 quadri di van gogh età di lettura da 5 anni

la cameretta di van gogh by carlo gallucci editore srl issuu - Apr 15 2023

web may 1 2011 vincent invita paul gauguin il suo migliore amico a dipingere insieme in provenza aspettando che arrivi ritrae la camera da letto e appende alle pareti quadri di girasoli quando ho

la cameretta di van gogh ediz illustrata amazon com br - Dec 11 2022

web compre online la cameretta di van gogh ediz illustrata de loy margherita loy rosetta na amazon frete grátis em milhares de produtos com o amazon prime encontre diversos livros em inglês e outras línguas com ótimos preços

la cameretta di van gogh ediz illustrata amazon it - Oct 21 2023

web la cameretta di van gogh ediz illustrata copertina rigida illustrato 17 settembre 2015 vincent invita paul gauguin il suo migliore amico a dipingere insieme in provenza aspettando che arrivi ritrae la camera da letto e appende alle pareti quadri di girasoli età di lettura da 5 anni

la cameretta di van gogh ediz illustrata libreria universitaria - Jun 17 2023

web may 26 2011 la cameretta di van gogh ediz illustrata libro di margherita loy rosetta loy spedizione gratuita per ordini superiori a 25 euro acquistalo su libreriauniversitaria it pubblicato da gallucci rilegato settembre 2015 9788861458505

download la cameretta di van gogh ediz illustrata kindle - Aug 07 2022

web librerie on line italia la cameretta di van gogh ediz illustrata top ten libri la cameretta di van gogh ediz illustrata librerie unive

van gogh singapore immersive experience review - Jul 06 2022

web sep 7 2023 credit meghan zara walsh for secret singapore the way we experience art has changed in recent years and van gogh the immersive experience is one iconic example of taking art lovers on a journey through an interactive world of art and technology the famous global art exhibition opened in march for the first time in singapore but it

la cameretta di van gogh ediz illustrata google books - Aug 19 2023

web vincent invita paul gauguin il suo migliore amico a dipingere insieme in provenza aspettando che arrivi ritrae la camera da letto e appende alle pareti quadri di girasoli età di

la cameretta di van gogh ediz illustrata illustrati loy - Mar 14 2023

web la cameretta di van gogh ediz illustrata illustrati loy margherita loy rosetta amazon es libros

la cameretta di van gogh ediz illustrata hardcover - Sep 20 2023

web la cameretta di van gogh ediz illustrata loy margherita loy rosetta amazon com au books

la cameretta di van gogh ediz illustrata 9788861458505 - Feb 13 2023

web titolo del libro la cameretta di van gogh ediz illustrata autori margherita loy rosetta loy editore gallucci data di pubblicazione 2015 genere letteratura per ragazzi pagine 43 peso gr 562 dimensioni mm 245 x 305 x 12 isbn 10 8861458505 isbn 13

la cameretta di van gogh ediz illustrata pdf uniport edu - Apr 03 2022

web sep 5 2023 uno spaccato della vita quotidiana di una venezia settecentesca che in fondo non è poi così diversa da quella

attuale da un punto di vista architettonico e che mantiene il tipico senso di decadenza che da sempre la contraddistingue chi osserva una fotografia sa che di fotografia si tratta ma chi

la cameretta di van gogh ediz illustrata relié amazon fr - May 16 2023

web la cameretta di van gogh ediz illustrata loy margherita loy rosetta amazon fr livres

la cameretta di van gogh ediz illustrata brossura - Jan 12 2023

web vincent invita paul gauguin il suo migliore amico a dipingere insieme in provenza aspettando che arrivi ritrae la camera da letto e appende alle pareti quadri di girasoli età di lettura da 5 anni

la cameretta di van gogh ediz illustrata jmseniorliving - Mar 02 2022

web la cameretta di van gogh ediz a colori parigi caro nonno che non tornerai più il grand louvre e il museo d orsay la zattera della bellezza racconti 1936 1993 attraversare la preadolescenza la via del saggio per traghettare il principio di piacere nell'avventura educativa senza parole erranze attraversare la preadolescenza la cameretta di

enneagram user guide to the personality types - Jun 29 2023

web the enneagram a funky 9 pointed geometric structure has been all the talk in personality testing and career coaching over the past decade the nine distinct points are conjoined

breaking down the enneagram a guide for total beginners - May 29 2023

web dec 10 2019 for most of us it would be impossible to spend a day without coming into direct or indirect contact with dozens of family friends people on the street at the office

the enneagram personality test truity - Apr 27 2023

web this guide contains a series of activities designed to increase your self awareness self responsibility and self mastery we recommend printing this booklet out and working

enneagram a complete guide to test and discover y copy - Dec 12 2021

web aug 24 2023 helps you discover which of the nine enneagram personality types best describes you and guides you on your path to personal development what s your

enneagram a complete guide to test and discover y pdf - Sep 01 2023

web enneagram a complete guide to test and discover y pdf is universally compatible behind any devices to read enneagram jacob king 2019 07 03 buy the

12 best enneagram books for discovery and learning trvst - Oct 22 2022

web apr 14 2020 a distinctive feature of the essential enneagram test is its validation by extensive research we conducted a validity study of just under one thousand

crystal knows beginner s guide to the enneagram - Nov 22 2022

web the free enneagram test is a guide that allows you to identify your personality design by taking just a quiz its accuracy lies in your honesty there is no lie detector but the more

the essential enneagram the definitive personality test and self - Sep 20 2022

web sep 22 2023 enneagram a complete guide to test and discover y 1 14 downloaded from uniport edu ng on september 22 2023 by guest enneagram a complete guide

enneagram a complete guide to test and discover your true - Jul 31 2023

web nov 7 2019 enneagram a complete guide to test and discover your true spiritual identity with the 9 personality types and 27 subtypes self discovery relationships

enneagram a complete guide to test and discover y copy - Nov 10 2021

enneagram a complete guide to test and discover y - Apr 15 2022

web enneagram test result consultation enneagram academy are currently offering a free twenty minute consultation on your test results australian residents only complete

enneagram a complete guide to test and discover y pdf - Jun 17 2022

web the enneagram test describes nine different personality types their worldview and how they are linked to each other to visually represent these links between the different

take the test now enneagram academy - Jan 13 2022

web jul 6 2023 if you want to download and install the enneagram a complete guide to test and discover y it is entirely easy then before currently we extend the associate to

enneagram a complete guide to test and discover y - Oct 10 2021

enneagram a complete guide to test and discover 9 - Mar 27 2023

web the easygoing self effacing type receptive reassuring agreeable and complacent get detailed descriptions about each of the nine enneagram types for free find your

free enneagram personality test - Aug 20 2022

web enneagram a complete guide to test and discover y right here we have countless books enneagram a complete guide to test and discover y and collections to

essential enneagram the definitive personality test pdf - Jul 19 2022

web may 21 2023 kindly say the enneagram a complete guide to test and discover y is universally compatible with any devices to read the enneagram book valery kilson

the enneagram learn the 9 personality types for healthy - Feb 11 2022

web mar 21 2023 [enneagram a complete guide to test and discover y 1 11](#) downloaded from uniport edu ng on march 21 2023 by guest [enneagram a complete guide to enneagram a complete guide to test and discover y pdf](#) - Sep 08 2021

fast free enneagram test - Dec 24 2022

web the process of self discovery and self development using the essential enneagram essential enneagram test instructions the essential enneagram test linking [enneagram personality test candidate screening assessment tg](#) - Mar 15 2022

web enneagram a complete guide to test and discover y 2 12 downloaded from uniport edu ng on october 1 2023 by guest identify your personality type enneagram [the 9 enneagram types the enneagram institute](#) - Jan 25 2023

web the essential enneagram the definitive personality test and self discovery guide the complete enneagram 27 paths to greater self knowledge understanding the

my enneagram workbook truity - Feb 23 2023

web the enneagram can be a helpful tool to understand more about yourself as well as others understanding the basic fears desires and motivations of the different enneagram [enneagram a complete guide to test and discover y ashton](#) - May 17 2022

web salud mente y cuerpo 2023

[the mark of the horse lord penguin books uk](#) - Mar 14 2023

web phaedrus the gladiator wins his freedom after years of bloody battles in the arena soon he finds himself riding north towards the wilds of caledonia on a strange mission he is to assume the identity of midir lord of the horse people to seek vengeance against the treacherous liadhan who has usurped the throne

the mark of the horse lord rosemary sutcliff google books - Apr 15 2023

web random house jan 2 2014 juvenile fiction 400 pages take my place phaedrus and with it take my vengeance phaedrus the gladiator wins his freedom after years of bloody battles in

[the mark of the horse lord wikiwand](#) - Jul 06 2022

web the mark of the horse lord is a 1965 historical novel for children written by rosemary sutcliff it won the first phoenix award in 1985 it takes place in roman britain and tells the tale of a gladiator who becomes involved with the dal riada of earra ghàidheal

[the mark of the horse lord by rosemary sutcliff open library](#) - Nov 10 2022

web the mark of the horse lord by rosemary sutcliff 1965 oxford university press edition in english

the mark of the horse lord sutcliff rosemary archive org - May 16 2023

web the mark of the horse lord item preview remove circle share or embed this item share to twitter english x 305 p 21 cm access restricted item true addeddate 2012 02 24 18 16 10 identifier ark ark 13960 t3806791s lcn 65023257 ocr abbyy finereader 8 0 openlibrary ol5950579m openlibrary edition ol5950579m openlibrary work

[the mark of the horse lord worldcat org](#) - Dec 11 2022

web the mark of the horse lord rosemary sutcliff home worldcat home about worldcat help search search for library items search for lists search for englishview all editions and formats summary take my place phaedrus and with it take my vengeance he is to assume the identity of midir lord of the horse people

the mark of the horse lord english edition - May 04 2022

web the mark of the horse lord english edition lessons in lightness trojan horse the horse in magic and myth pale horse rider a horse s tale the mark of the horse lord the horse being a collection of weekly papers finding the missed path the lost horse the nightmare horse a horse s tale by mark twain delphi classics illustrated

the mark of the horse lord rediscovered classics book 21 - Feb 01 2022

web jul 1 2015 the mark of the horse lord rediscovered classics book 21 kindle edition by rosemary sutcliff author scott o dell author afterword format kindle edition 4 4 209 ratings see all formats and editions kindle 8 99 read with our free app hardcover 19 34 8 used from 15 95

editions of the mark of the horse lord by rosemary sutcliff goodreads - Sep 20 2023

web editions for the mark of the horse lord 1932425624 paperback published in 2006 161373154x paperback published in 2015 kindle edition published in

the mark of the horse lord 1975 edition open library - Apr 03 2022

web the mark of the horse lord by rosemary sutcliff 1975 oxford university press edition in english

the mark of the horse lord apple books - Sep 08 2022

web jul 1 2015 in this world of superstition and ancient ritual of fierce loyalties and intertribal rivalry phaedrus found companionship and love and something more a purpose and a meaning to his life as he came fully to understand the significance of the mark of the horse lord first published in 1965 the mark of the horse lord set in second century

the mark of the horse lord sutcliff wiki fandom - Jun 05 2022

web the mark of the horse lord is a 1965 young adult novel published by oxford university press with illustrations by charles keeping an ex gladiator is recruited to impersonate the lost heir of the patriarchal dalriadain in their war of

mark of the horse lord 2014 edition open library - Feb 13 2023

web the mark of the horse lord by rosemary sutcliff 2014 penguin random house edition in english

the mark of the horse lord sutcliff rosemary archive org - Aug 19 2023

web english p cm bearing an uncanny resemblance to the now blind displaced king of the scots former gladiator and slave phaedrus impersonates the horse lord to regain from the pict the control of the scottish kingdom access restricted item

the mark of the horse lord march 1 1989 edition open library - Aug 07 2022

web the mark of the horse lord by rosemary sutcliff march 1 1989 yearling edition in english

the mark of the horse lord wikipedia - Jun 17 2023

web the mark of the horse lord is a 1965 historical novel for children written by rosemary sutcliff it won the first phoenix award in 1985 1 it takes place in roman britain and tells the tale of a gladiator who becomes involved with the dal riada of earra ghàidheal

the mark of the horse lord 21 rediscovered classics - Oct 09 2022

web jul 1 2015 rosemary sutcliff s the mark of the horse lord is a tale set in northern england and scotland during the roman occupation phaedrus a slave turned gladiator wins his freedom only to throw it all away when he drunkenly burns down some buildings

the mark of the horse lord by rosemary sutcliff goodreads - Jul 18 2023

web phaedrus is a roman gladiator who has won his freedom by chance he is also the exact double of midir the horse lord lost king of the dalriad tribe to rid the dalriads of the usurping queen liadhan phaedrus agrees to a daring pretence he will impersonate midir and become the horse lord

the mark of the horse lord by rosemary sutcliff review - Jan 12 2023

web feb 23 2014 he s recruited as a lookalike for a mysterious overthrown prince named midir who blinded by his treacherous mother liadhan can never reclaim his rights as true horse lord phaedrus s job is

the mark of the horse lord by rosemary sutcliff open library - Mar 02 2022

web the mark of the horse lord by rosemary sutcliff 2015 edition in english unabridged edition