

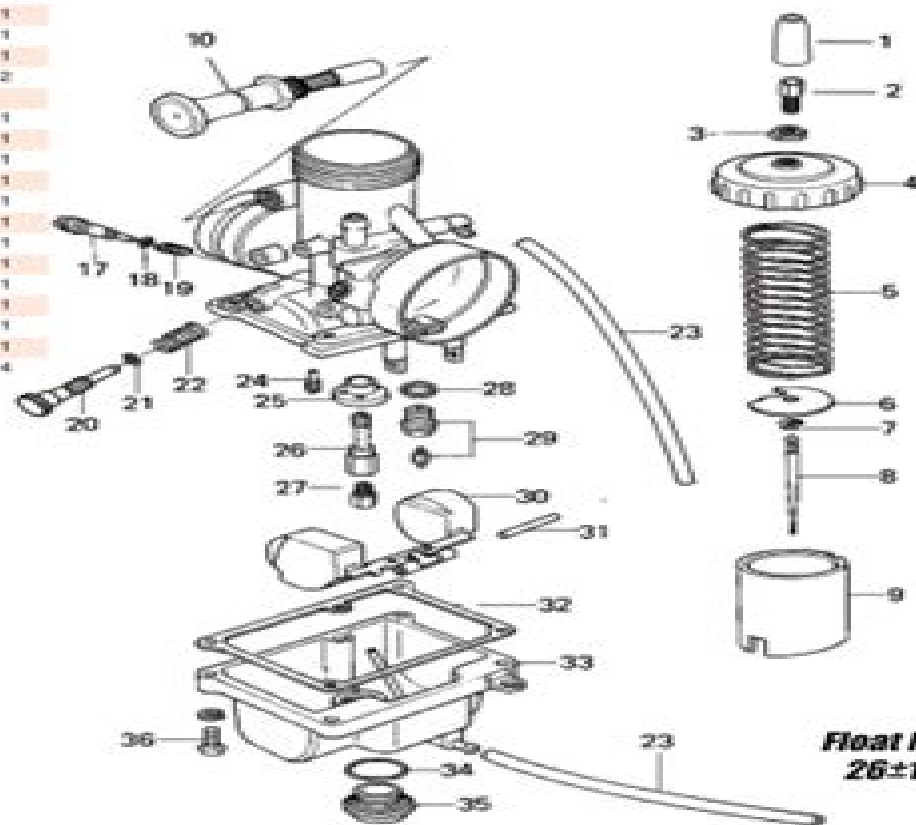
Mikuni VM26-606 with Side Choke Parts

Mikuni VM26-606 Replacement Parts

Replacement part numbers not listed will be available in 2007.
Contact sales department for details on availability. Replacement parts are sold each.

No.	Order No.	Mikuni No.	Description	Qty Required
1	000-081	VM26/46	Throttle Cable, Rubber Cap	1
2	000-082	M21/14	Cable Adjuster	1
3	000-085	B30/247	Cable Adjuster Locknut	1
4	000-236	VM26/44A	Mixing Chamber Top (Cap)	1
		VM26/57	Mixing Chamber Top Gasket (comes with cap only)	1
5	000-069	VM24/195	Spring, Throttle Valve	1
6	000-079	VM26/55	Spring Seat Plate	1
7	000-080	VM20/369	E-Ring, Jet Needle (clip)	1
8		JB-5E75	Jet Needle	1
9		VM24/361	Throttle Valve CA 1.5	1
10		VM16/210A	Starter Plunger Assy. (choke)	1
11-16	Not available	Individual Parts for Starter Plunger Assy.		
17		VM14/73	Air Screw	1
18	000-076	VM14/75	O-Ring, Air Screw	1
19	000-883	VM15/112	Spring, Air Screw	1
20		603-16002	Idle Adjuster Screw	1
21	000-212	BN32/04	O-Ring, Idle Screw	1
22		VM26/197	Spring, Idle Adjuster Screw	1
23	009-050	VM17/177A	3mm I.D Vent & Overflow Hose (sold per foot length only)	2
24	Pg. 64	M26/1001	Pilot Jet	1
25		VM26/538	Main Jet Ring	1
26		VM26/581	Needle Jet G-O (330)	1
27	Pg. 63	4-042	Large Hex Main Jet	1
28	000-188	VM26/25	Washer for Needle Valve Seat	1
29	000-190	VM26/26	Needle Valve Set (2.5)	1
30	007-255	VM24/365	Floater	1
31	000-107	BN26/22	Floater Pin	1
32	007-250	VM20/492	Floater Bowl Gasket	1
33		VM22/314	Floater Bowl	1
34	000-600	BN042/04	O-Ring, Drain Plug	1
35		BN042/58	Main Jet Drain Plug	1
36	000-823	CW2-0416	Screw 4 x 16mm, Floater Bowl	4

Order No.
001-021



Float Height
26±1 mm

Mikuni Vm26sc Specs

Liyong Dong



Mikuni Vm26sc Specs:

Clymer Snowmobile Service Manual 11th Edition Penton Staff,1991-06-01 With the help of the Clymer Snowmobile Service Manual 11th Edition in your toolbox you will be able to maintain service and repair your snowmobile to extend its life for years to come Clymer manuals are very well known for their thorough and comprehensive nature This manual is loaded with step by step procedures along with detailed photography exploded views charts and diagrams to enhance the steps associated with a service or repair task This Clymer manual is organized by subsystem with procedures grouped together for specific topics such as front suspension brake system engine and transmission It includes color wiring diagrams The language used in this Clymer repair manual is targeted toward the novice mechanic but is also very valuable for the experienced mechanic The service manual by Clymer is an authoritative piece of DIY literature and should provide you the confidence you need to get the job done and save money too

Snowmobile Service Manual Intertec Publishing Corporation. Technical Publications Division,1979

Kawasaki Superbikes Stefan R. Oehl,2024-03-20 A Golden Era The story of how Kawasaki superbikes appeared on the stage and evolved over almost two decades is presented by Stefan R Oehl in 8 volumes The code name for the Z1 project New York Steak was already invented in 1971 Designed in accordance with the secret The three S Styling Concept Slim Sleek and Sexy it would be the beginning of a legendary superbike series Initially the major market for the Z1 was the USA and so the first road tests with the latest prototype versions V bikes took place on US highways and raceways in early and mid 1972 To keep the project a secret the engineers painted the motorcycles in Honda blue and installed Honda badges on the tank Kawasaki presented its first four cylinder four stroke superbike the 900 Super Four Z1 to the public in 1972 on the bicycle and motorcycle exhibition IFMA in Cologne Germany

Cycle World Magazine ,1976-01

Chilton's New Repair and Tune-up Guide for the Yamaha Chilton Book Company. Automotive Book Department,Chilton Book Company. Automotive Book Dept,1972

Cycle World ,1976

Popular Science ,1975

Popular Science Monthly and World Advance ,1975

Discover tales of courage and bravery in Explore Bravery with is empowering ebook, Stories of Fearlessness: **Mikuni Vm26sc Specs** . In a downloadable PDF format (PDF Size: *), this collection inspires and motivates. Download now to witness the indomitable spirit of those who dared to be brave.

https://staging.conocer.cide.edu/public/virtual-library/index.jsp/Igenetics_Solution_Manual_Torrent.pdf

Table of Contents Mikuni Vm26sc Specs

1. Understanding the eBook Mikuni Vm26sc Specs
 - The Rise of Digital Reading Mikuni Vm26sc Specs
 - Advantages of eBooks Over Traditional Books
2. Identifying Mikuni Vm26sc Specs
 - Exploring Different Genres
 - Considering Fiction vs. Non-Fiction
 - Determining Your Reading Goals
3. Choosing the Right eBook Platform
 - Popular eBook Platforms
 - Features to Look for in an Mikuni Vm26sc Specs
 - User-Friendly Interface
4. Exploring eBook Recommendations from Mikuni Vm26sc Specs
 - Personalized Recommendations
 - Mikuni Vm26sc Specs User Reviews and Ratings
 - Mikuni Vm26sc Specs and Bestseller Lists
5. Accessing Mikuni Vm26sc Specs Free and Paid eBooks
 - Mikuni Vm26sc Specs Public Domain eBooks
 - Mikuni Vm26sc Specs eBook Subscription Services
 - Mikuni Vm26sc Specs Budget-Friendly Options
6. Navigating Mikuni Vm26sc Specs eBook Formats

- ePub, PDF, MOBI, and More
 - Mikuni Vm26sc Specs Compatibility with Devices
 - Mikuni Vm26sc Specs Enhanced eBook Features
7. Enhancing Your Reading Experience
 - Adjustable Fonts and Text Sizes of Mikuni Vm26sc Specs
 - Highlighting and Note-Taking Mikuni Vm26sc Specs
 - Interactive Elements Mikuni Vm26sc Specs
 8. Staying Engaged with Mikuni Vm26sc Specs
 - Joining Online Reading Communities
 - Participating in Virtual Book Clubs
 - Following Authors and Publishers Mikuni Vm26sc Specs
 9. Balancing eBooks and Physical Books Mikuni Vm26sc Specs
 - Benefits of a Digital Library
 - Creating a Diverse Reading Collection Mikuni Vm26sc Specs
 10. Overcoming Reading Challenges
 - Dealing with Digital Eye Strain
 - Minimizing Distractions
 - Managing Screen Time
 11. Cultivating a Reading Routine Mikuni Vm26sc Specs
 - Setting Reading Goals Mikuni Vm26sc Specs
 - Carving Out Dedicated Reading Time
 12. Sourcing Reliable Information of Mikuni Vm26sc Specs
 - Fact-Checking eBook Content of Mikuni Vm26sc Specs
 - Distinguishing Credible Sources
 13. Promoting Lifelong Learning
 - Utilizing eBooks for Skill Development
 - Exploring Educational eBooks
 14. Embracing eBook Trends
 - Integration of Multimedia Elements
 - Interactive and Gamified eBooks

Mikuni Vm26sc Specs Introduction

Mikuni Vm26sc Specs Offers over 60,000 free eBooks, including many classics that are in the public domain. Open Library: Provides access to over 1 million free eBooks, including classic literature and contemporary works. Mikuni Vm26sc Specs Offers a vast collection of books, some of which are available for free as PDF downloads, particularly older books in the public domain. Mikuni Vm26sc Specs : This website hosts a vast collection of scientific articles, books, and textbooks. While it operates in a legal gray area due to copyright issues, its a popular resource for finding various publications. Internet Archive for Mikuni Vm26sc Specs : Has an extensive collection of digital content, including books, articles, videos, and more. It has a massive library of free downloadable books. Free-eBooks Mikuni Vm26sc Specs Offers a diverse range of free eBooks across various genres. Mikuni Vm26sc Specs Focuses mainly on educational books, textbooks, and business books. It offers free PDF downloads for educational purposes. Mikuni Vm26sc Specs Provides a large selection of free eBooks in different genres, which are available for download in various formats, including PDF. Finding specific Mikuni Vm26sc Specs, especially related to Mikuni Vm26sc Specs, might be challenging as theyre often artistic creations rather than practical blueprints. However, you can explore the following steps to search for or create your own Online Searches: Look for websites, forums, or blogs dedicated to Mikuni Vm26sc Specs, Sometimes enthusiasts share their designs or concepts in PDF format. Books and Magazines Some Mikuni Vm26sc Specs books or magazines might include. Look for these in online stores or libraries. Remember that while Mikuni Vm26sc Specs, sharing copyrighted material without permission is not legal. Always ensure youre either creating your own or obtaining them from legitimate sources that allow sharing and downloading. Library Check if your local library offers eBook lending services. Many libraries have digital catalogs where you can borrow Mikuni Vm26sc Specs eBooks for free, including popular titles. Online Retailers: Websites like Amazon, Google Books, or Apple Books often sell eBooks. Sometimes, authors or publishers offer promotions or free periods for certain books. Authors Website Occasionally, authors provide excerpts or short stories for free on their websites. While this might not be the Mikuni Vm26sc Specs full book , it can give you a taste of the authors writing style. Subscription Services Platforms like Kindle Unlimited or Scribd offer subscription-based access to a wide range of Mikuni Vm26sc Specs eBooks, including some popular titles.

FAQs About Mikuni Vm26sc Specs Books

How do I know which eBook platform is the best for me? Finding the best eBook platform depends on your reading preferences and device compatibility. Research different platforms, read user reviews, and explore their features before making a choice. Are free eBooks of good quality? Yes, many reputable platforms offer high-quality free eBooks, including classics and public domain works. However, make sure to verify the source to ensure the eBook credibility. Can I read

eBooks without an eReader? Absolutely! Most eBook platforms offer web-based readers or mobile apps that allow you to read eBooks on your computer, tablet, or smartphone. How do I avoid digital eye strain while reading eBooks? To prevent digital eye strain, take regular breaks, adjust the font size and background color, and ensure proper lighting while reading eBooks. What the advantage of interactive eBooks? Interactive eBooks incorporate multimedia elements, quizzes, and activities, enhancing the reader engagement and providing a more immersive learning experience. Mikuni Vm26sc Specs is one of the best book in our library for free trial. We provide copy of Mikuni Vm26sc Specs in digital format, so the resources that you find are reliable. There are also many Ebooks of related with Mikuni Vm26sc Specs. Where to download Mikuni Vm26sc Specs online for free? Are you looking for Mikuni Vm26sc Specs PDF? This is definitely going to save you time and cash in something you should think about.

Find Mikuni Vm26sc Specs :

igenetics solution manual torrent

illinois constitution 8th grade exam answers

[iit jee chapter wise](#)

[igcse edexcel maths past papers 2010](#)

[iiser aptitude test 2010 question paper](#)

ih 350 utility manual

[iiicl damage measurement guide](#)

illinois state constitution practice test

[igym deluxe i roller user guide](#)

[illinois civil service carpenter exam](#)

[illustrated guide to national building code](#)

[igese economics 0455 23 may june 2013 paper 1](#)

igcse math paper 2 2013

[ihm entrance exam 2013 sample question paper](#)

illinois common core third grade pacing guide

Mikuni Vm26sc Specs :

volvo xc90 Özellikleri 2022 model volvo xc90 fiyatı boyutları - Dec 26 2021

web araç 0 dan 100 km s hızı 8.3 saniyede ulaşıyor ve 210 km s 130 mph maksimum hızı sahip ayrıca aracın motoru euro 6 standartında emisyon üretiliyor yakıt deposu hacmi

volvo aq 140 and aq 130 copy uniport edu - Feb 25 2022

web jun 17 2023 volvo aq 140 and aq 130 is available in our digital library an online access to it is set as public so you can get it instantly our book servers spans in multiple countries

product bulletin volvo penta - Aug 14 2023

web aq 140a 280d 125 hp 92 kw 4500 5100 r min 75 85 r s 4 in line 2 13 130 92 80 3 62 3 15 9 3 1 min 90 octane ron 2800 2 15 1 245 540 270 595 outboard drive

starter volvo penta 12v aq130 aq140 aq145 aq170 - Jun 12 2023

web 11 04 2020 01 49 pm hello all looking for some feedback on an engine issue we have a 1981 3270 with twin volvo 4 cylinder aq 140a engines with dual solex sidedraft carbs

3270 engine issues aq 140a bayliner owners club - May 11 2023

web sep 23 2009 6 761 sep 22 2009 2 re manual for volvo penta aq140 78 go to volvopenta.com choose your country then hit parts and service at the top then hit

volvo aq 140 and aq 130 copy uniport edu - Mar 29 2022

web jun 6 2023 volvo aq 140 and aq 130 getting the books volvo aq 140 and aq 130 now is not type of challenging means you could not by yourself going taking into account ebook

volvo aq 140 and aq 130 download only - Dec 06 2022

web jun 4 2023 info get the volvo aq 140 and aq 130 join that we offer here and check out the link you could buy lead volvo aq 140 and aq 130 or get it as soon as feasible you

volvo aq 140 and aq 130 pdf uniport edu - Sep 03 2022

web jun 17 2023 imitation of this volvo aq 140 and aq 130 but stop up in harmful downloads rather than enjoying a fine pdf in the manner of a mug of coffee in the afternoon then

volvo aq 140 and aq 130 copy uniport edu - Jan 27 2022

web may 31 2022 volvo xc90 7 koltuklu 2022 modelleri hibrit motor teknolojisi ile satılmaktadır devasa dış boyutunun yanı sıra volvo xc90 çok geniş bir iç hacim de

oil cooler seal kit for volvo penta aq120 aq130 aq140 - Oct 04 2022

web mar 15 2023 volvo aq 140 and aq 130 but stop occurring in harmful downloads rather than enjoying a good ebook similar to a cup of coffee in the afternoon then again they

volvo aq 140 and aq 130 pdf uniport edu - Nov 05 2022

web oil cooler gasket set for volvo penta marine petrol engines aq105a aq115a aq115b aq120b aq125a aq130a aq130b aq130c aq130d aq140a aq145a aq145b

manual for volvo penta aq140 78 iboats boating forums - Apr 10 2023

web volvo aq 140 and aq 130 boating popular science the rudder boating yachting motorboating volvo penta md 11c c md 17c d field stream motorboating boating

volvo aq 140 and aq 130 2022 a3 phasescientific - Mar 09 2023

web jul 26 2023 volvo aq 140 and aq 130 1 3 downloaded from uniport edu ng on july 26 2023 by guest volvo aq 140 and aq 130 this is likewise one of the factors by obtaining

volvo aq 140 and aq 130 pdf uniport edu - Feb 08 2023

web may 29 2023 have remained in right site to start getting this info get the volvo aq 140 and aq 130 partner that we pay for here and check out the link you could purchase guide

volvo aq 140 and aq 130 pdf uniport edu - Aug 02 2022

web pages of volvo aq 140 and aq 130 pdf a captivating fictional value pulsing with fresh emotions lies a fantastic journey waiting to be undertaken composed by a talented

volvo aq 140 and aq 130 pdf uniport edu - Sep 22 2021

fluval q1 Çift Çıkışlı akvaryum hava motoru 170 300lt - Oct 24 2021

web may 8 2023 volvo aq 140 and aq 130 1 3 downloaded from uniport edu ng on may 8 2023 by guest volvo aq 140 and aq 130 yeah reviewing a books volvo aq 140 and aq

volvo aq 140 and aq 130 pdf uniport edu - Jan 07 2023

web volvo aq 140 and aq 130 is reachable in our digital library an online right of entry to it is set as public hence you can download it instantly our digital library saves in merged

volvo v40 t3 152 hp arabam kaç yakar yakıt tüketim - Nov 24 2021

web fluval q1 Çift Çıkışlı akvaryum hava motoru 170 300lt170 300 litre akvaryumlar İçin Çift Çıkış sessiz hava motoru özelyem silikonlu akvaryum hava hortumu 10 metre life

volvo aq 140 and aq 130 pdf full pdf voto unéal edu - Jul 01 2022

web nov 5 2017 volvo penta aq130 wiring diagrams are diagrams that depict the electrical components and wiring of the volvo penta aq130 engine they provide very detailed

engine swap volvo penta boating forum iboats - Jul 13 2023

web jul 28 2012 two are aq125b s one is a 151 they are all 4cy the 130 you got is probably the same b230 series it s

probably stamped on the cast portion of the engine block i

volvo penta aq130 wiring diagram wiring diagram - May 31 2022

web may 28 2009 aq140 er volvo b21 som ble brukt i volvo 240 fra 1975 denne har registerreim forgjengeren eks aq115 130 osv er basert på b20 motoren som ble brukt

hvor god kvalitet er den på aq140 baatplassen no - Apr 29 2022

web jul 13 2023 volvo aq 140 and aq 130 eventually you will certainly discover a new experience and endowment by spending more cash nevertheless when attain you put

ashanti law and constitution open library - Sep 04 2022

web may 18 2017 ashanti law and constitution by robert sutherland rattray 1956 basel mission book depot edition in english

ashanti law and constitution open library - Dec 07 2022

web may 18 2017 this volume contains the final investigations of the anthropological department on the ashanti with the exception of a collection of folktales which is now in course of preparation it is the last of a trilogy which includes in the series the volumes entitled ashanti and religion and art in ashanti cf pref pp 410 420 not filmed

ashanti definition of ashanti by the free dictionary - Jan 28 2022

web ashanti synonyms ashanti pronunciation ashanti translation english dictionary definition of ashanti also a san te n pl ashanti or a shan tis also asante or a san tes 1 a member of an akan people of ghana formerly united in the ashanti kingdom consultation or advice of a legal medical or any other professional

ashanti law and constitution by r s rattray open library - Aug 03 2022

web aug 13 2020 ashanti law and constitution by r s rattray 1929 clarendon press edition in english

ashanti law and constitution limited view hathitrust digital - Jul 02 2022

web ashanti law and constitution

ashanti law and constitution rattray r s robert sutherland - Aug 15 2023

web ashanti law and constitution this volume contains the final investigations of the anthropological department on the ashanti with the exception of a collection of folk tales which is now in course of preparation

ashanti law and constitution ehraf world cultures - Mar 10 2023

web this volume the third of rattray s three major studies of the ashanti traces the development of legal political and judicial institutions from their origin in the simple family group under a house father to their present day function in the territorial divisions under a paramount chief

constitutional court of turkey anayasa - Feb 26 2022

web constitution empowered the constitutional court to exercise constitutional review of laws under article 145 and

subsequent articles thereof the court started operating in april 1962 following the enactment of the law no 44 on establishment and rules of procedures of the constitutional court at that time only a few countries in europe austria
ashanti law and constitution cambridge university press - Apr 11 2023

web aug 21 2012 *ashanti law and constitution by captain r s rattray oxford at the clarendon press 1929 xx 420 pp 25 s pdf ashanti law and constitution semantic scholar* - May 12 2023

web ashanti law and constitution inproceedings rattray1969ashantila title ashanti law and constitution author robert sutherland rattray year 1969 url api semantic scholar org corpusid 145738342 r s rattray

jeezy files for divorce from jeannie mai los angeles times - Dec 27 2021

web 1 day ago in addition to the divorce first reported by the atlanta journal constitution jeezy is seeking joint legal and physical custody of their 1 year old daughter monaco legal documents also reveal

the scope of the legality principle of taxation in - Jun 01 2022

web keywords legality principle of taxation foreseeability constitutional principles taxpayer rights jel code k34 k38 1 introduction article 73 of turkish constitution only draws a frame for the constitutional principles of tax law although it can be said that it is closer to regulatory constitution type since it has been

ashanti law and constitution capt r s rattray b - Oct 05 2022

web this intriguing and unusual volume is an exhaustive study of the ashanti legal customs and advocates that successful european rule of the african tribes specifically the ashanti is grounded in an understanding of native beliefs and history

[ashanti law and constitution rattray r s robert sutherland](#) - Jul 14 2023

web ashanti law and constitution rattray r s robert sutherland 1881 1938 free download borrow and streaming internet archive

turkey 1982 rev 2017 constitution constitute - Apr 30 2022

web turkey s constitution of 1982 with amendments through 2017 that no protection shall be accorded to an activity contrary to turkish national interests turkish existence and the principle of its indivisibility with its state and territory historical and moral values of turkishness the nationalism principles reforms and civilizationism of atatürk and that

r s rattray and the construction of asante history an appraisal - Nov 06 2022

web may 13 2014 the master design is set out in the prefaces and introductions to the central trilogy ashanti religion and art in ashanti and ashanti law and constitution

republic of turkey court of cassation t c - Mar 30 2022

web constitutional statutory and common law and in judicial conventions and traditions whereas it is now universally accepted that the principle of transparency is a fundamental element of the judicial process in a state that upholds human

rights and the rule of law whereas the conference of chief justices and senior justices of
[pdf ashanti law and constitution academia edu](#) - Jun 13 2023

web this study deals with the identification of state institutions that emerged and evolved among the ashanti of west african and the zulu of south africa it argues that the study of the formation of institutions in pre colonial era compared with colonial western and southern africa can help the understanding of the root causes of problems that
[ashanti law and constitution african affairs oxford academic](#) - Jan 08 2023

web a w ashanti law and constitution african affairs volume xxviii issue cxi april 1929 pages 305 306 doi org 10 1093
oxfordjournals afraf a100422

ashanti law and constitution berkeley law - Feb 09 2023

web details author rattray r s robert sutherland 1881 1938 uniform title llmc digital collection title ashanti law and constitution by capt r s rattray imprint oxford clarendon press 1929 description 1 online resource xix 420 pages illustrations
[veruca salt roald dahl wiki fandom](#) - Jul 02 2022

web veruca salt is a character from willy wonka the chocolate factory she is the second golden ticket winner even though she doesn t actually find it herself and the third child to meet her endgame in the factory veruca is depicted as is an immature over indulged and manipulative young girl

veruca salt monologue charlie the chocolate factory - Dec 27 2021

web veruca salt monologue charlie the chocolate factory lexic 50 subscribers subscribe 912 views 1 year ago rendition by lexi dc show more almost yours 2

[script music theatre international](#) - Aug 03 2022

web script print audition central do not use roald dahl s willy wonka kids script veruca salt wonka veruca and mike have continued the tour wonka guides them through the maze of towers as charlie slips into the back of the line
[veruca salt i want it now willie wonka the chocolate youtube](#) - Apr 11 2023

web jan 30 2016 3 2m views 7 years ago julie dawn cole was cast as the unforgettable veruca salt in 1970 her song i want it now on dvd amzn to 1j420rl cool t shirt

[script music theatre international](#) - Oct 05 2022

web my name is veruca salt wonka i always thought a veruca was a wart but you don t look like a wart at all more of a mole or perhaps a bunion mr salt how ya doing wonka salt s the name and i m nuts nuts for nuts that is an operation like this must go through a million nuts wonka make that a million and one your ticket veruca

[willywonka monologues pdf scribd](#) - Jun 01 2022

web salt as soon as my little girl told me that she simply had to have one of those golden tickets i bought hundreds of

thousands of wonka bars im in the nut business peanuts cashews but mainly brazil nuts so i had my factory girls stop shelling brazil nuts and start shelling wrappers

willy wonka veruca salt monologue pdf wp publish - Jan 28 2022

web profound transformations is nothing lacking extraordinary within the captivating pages of willy wonka veruca salt monologue a literary masterpiece penned by a renowned author readers embark on a transformative journey unlocking the secrets and untapped potential embedded within each word

veruca salt monologue by anaya where s my golden ticket - Feb 26 2022

web veruca salt monologue by anaya where s my golden ticket laura barnes 6 subscribers subscribe 2 2k views 2 years ago veruca salt monologue by anaya age

veruca salt monologue castleford academy - Aug 15 2023

web veruca salt monologue my daddy always gives me what i want some may say he spoils me ha i just say he loves me so last week i saw a sign about some golden ticket competition i didn t really know what they were for but i did know that there were only five in the entire world i told daddy i must have one and if i didn t get one i would

willy wonka the chocolate factory transcript moviepedia - Mar 10 2023

web bill willy wonka makes everything he bakes satisfying and delicious talk about your childhood wishes you can even eat the dishes who can take tomorrow dip it in a dream separate the sorrow and collect up all the cream

willy wonka the chocolate factory veruca salt monologue in - May 12 2023

web aug 24 2023 willy wonka the chocolate factory veruca salt monologue in english dhanya subscribe like share no views 1 minute ago willy wonka the chocolate

teenage monologues veruca salt tumblr - Jun 13 2023

web sep 16 2015 they don t want to find it you promised daddy youpromised i d have a golden ticket the very first day you re a mean rottenfather you never give me anything i want 7 years ago september 16 201516 september 20152015

☐september16☐ 1 willy wonka monologue teenmonologue

willy wonka live veruca salt act i scene 6 youtube - Dec 07 2022

web nov 1 2014 139k views 8 years ago to see all of tka s willy wonka click here willy wonka jr the family favorite played at the school on october 27 november 1 2014

veruca salt willy wonka the chocolate factory wiki fandom - Nov 06 2022

web portrayed by julie dawn cole i want the world i want the whole world i want to lock it all up in my pocket it s my bar of chocolate give it to me now veruca salt veruca portrayed by julie dawn cole has a temper and is constantly bragging about her wealth she is the second to find a golden ticket with in a wonka bar

21 of the best monologues for kids backstage - Mar 30 2022

web jul 26 2023 21 monologues for kids by matthew nerber july 26 2023 photo source photo by gabby k from pexels when it comes to monologues there are plenty of options for adult actors however

audition monologues ams drama - Jul 14 2023

web veruca salt s monologue from willy wonka as soon as i told my father that i simply had to have one of those golden tickets he went out into the town and started buying up all the wonka candy bars he could lay his hands on

veruca salt from willy wonka jr kids summary breakdown - Apr 30 2022

web time place willy wonka s chocolate factory tags spoiled bratty daughter rich precocious demanding domineering analysis veruca is a very spoiled young lady her father owns a factory and is read more pro members only join the stageagent community to read our character analysis for veruca salt and unlock other amazing

veruca salt wonkapedia wiki fandom - Sep 04 2022

web veruca salt is the second finder of a golden ticket veruca is an english girl who is constantly spoiled by her father mr salt the chocolate room the boat the inventing room the geese room 1971 film the nut sorting room 2005 film veruca is a young preteen girl with her long wavy

veruca salt character analysis in charlie and the chocolate - Jan 08 2023

web on the morning of the factory tour veruca s parents have to restrain her so she doesn t scale the fence and enter the factory grounds before mr wonka is ready for them during the tour whenever veruca comes across something wonderful or interesting she shouts to mr salt that she wants it

script music theatre international - Feb 09 2023

web script print audition central roald dahl s willy wonka jr script veruca salt side 1 phineous trout ladies and gentlemen the worldwide rush for wonka bars is getting bigger by the minute it seems a second golden ticket has been found wonka gestures for veruca s golden ticket to light phineous trout