

Fastener Locations

▶ : Bolt, 19

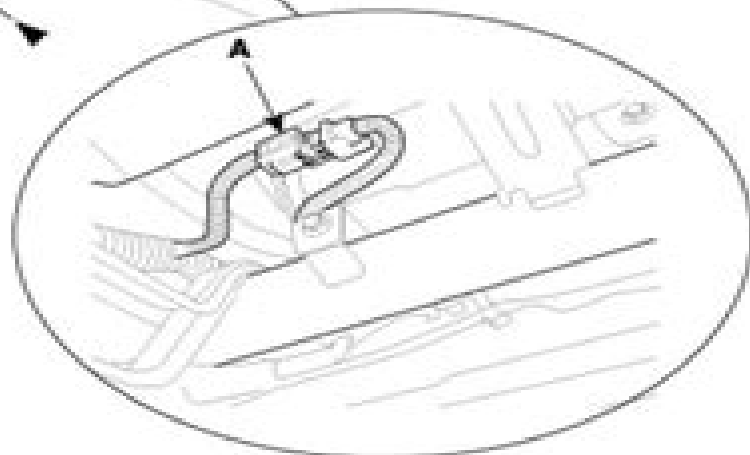
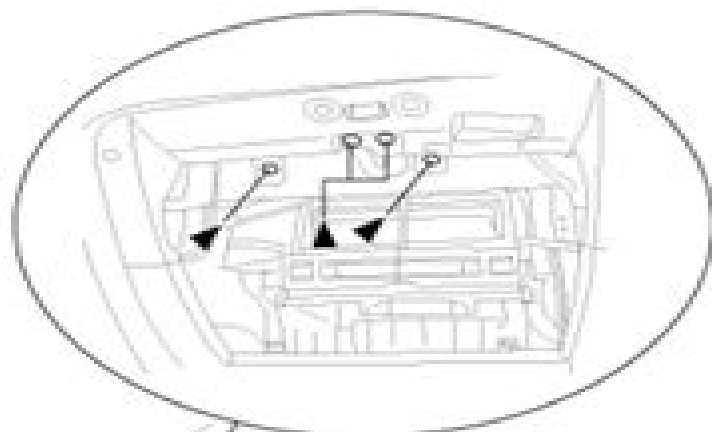
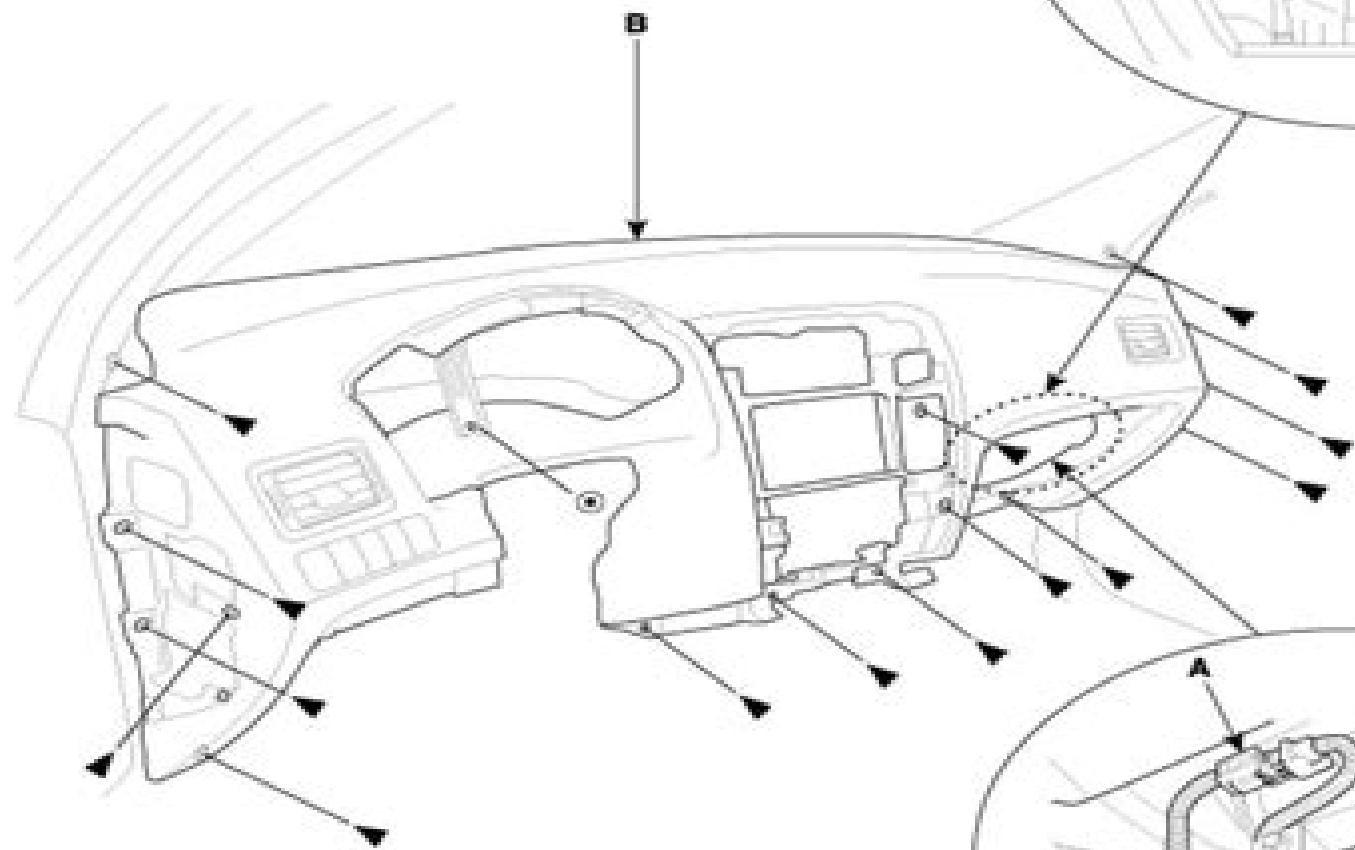
⊙ : Nut, 1



6x1.25mm
0.7~1.1 kgfΣm



6x1.25mm
0.7~1.1 kgfΣm



Haundai Tucson Blend Door Actuator Location

ML Morrison



Haundai Tucson Blend Door Actuator Location:

Fuel your quest for knowledge with this thought-provoking masterpiece, **Haundai Tucson Blend Door Actuator Location** . This educational ebook, conveniently sized in PDF (PDF Size: *), is a gateway to personal growth and intellectual stimulation. Immerse yourself in the enriching content curated to cater to every eager mind. Download now and embark on a learning journey that promises to expand your horizons. .

https://staging.conocer.cide.edu/About/publication/default.aspx/How_Will_You_Know_Unless_I_Tell_You_The_Positive_Power_Of_Praising_People.pdf

Table of Contents Haundai Tucson Blend Door Actuator Location

1. Understanding the eBook Haundai Tucson Blend Door Actuator Location
 - The Rise of Digital Reading Haundai Tucson Blend Door Actuator Location
 - Advantages of eBooks Over Traditional Books
2. Identifying Haundai Tucson Blend Door Actuator Location
 - Exploring Different Genres
 - Considering Fiction vs. Non-Fiction
 - Determining Your Reading Goals
3. Choosing the Right eBook Platform
 - Popular eBook Platforms
 - Features to Look for in an Haundai Tucson Blend Door Actuator Location
 - User-Friendly Interface
4. Exploring eBook Recommendations from Haundai Tucson Blend Door Actuator Location
 - Personalized Recommendations
 - Haundai Tucson Blend Door Actuator Location User Reviews and Ratings
 - Haundai Tucson Blend Door Actuator Location and Bestseller Lists
5. Accessing Haundai Tucson Blend Door Actuator Location Free and Paid eBooks
 - Haundai Tucson Blend Door Actuator Location Public Domain eBooks
 - Haundai Tucson Blend Door Actuator Location eBook Subscription Services

- Haundai Tucson Blend Door Actuator Location Budget-Friendly Options
- 6. Navigating Haundai Tucson Blend Door Actuator Location eBook Formats
 - ePub, PDF, MOBI, and More
 - Haundai Tucson Blend Door Actuator Location Compatibility with Devices
 - Haundai Tucson Blend Door Actuator Location Enhanced eBook Features
- 7. Enhancing Your Reading Experience
 - Adjustable Fonts and Text Sizes of Haundai Tucson Blend Door Actuator Location
 - Highlighting and Note-Taking Haundai Tucson Blend Door Actuator Location
 - Interactive Elements Haundai Tucson Blend Door Actuator Location
- 8. Staying Engaged with Haundai Tucson Blend Door Actuator Location
 - Joining Online Reading Communities
 - Participating in Virtual Book Clubs
 - Following Authors and Publishers Haundai Tucson Blend Door Actuator Location
- 9. Balancing eBooks and Physical Books Haundai Tucson Blend Door Actuator Location
 - Benefits of a Digital Library
 - Creating a Diverse Reading Collection Haundai Tucson Blend Door Actuator Location
- 10. Overcoming Reading Challenges
 - Dealing with Digital Eye Strain
 - Minimizing Distractions
 - Managing Screen Time
- 11. Cultivating a Reading Routine Haundai Tucson Blend Door Actuator Location
 - Setting Reading Goals Haundai Tucson Blend Door Actuator Location
 - Carving Out Dedicated Reading Time
- 12. Sourcing Reliable Information of Haundai Tucson Blend Door Actuator Location
 - Fact-Checking eBook Content of Haundai Tucson Blend Door Actuator Location
 - Distinguishing Credible Sources
- 13. Promoting Lifelong Learning
 - Utilizing eBooks for Skill Development
 - Exploring Educational eBooks
- 14. Embracing eBook Trends

- Integration of Multimedia Elements
- Interactive and Gamified eBooks

Haundai Tucson Blend Door Actuator Location Introduction

In the digital age, access to information has become easier than ever before. The ability to download Haundai Tucson Blend Door Actuator Location has revolutionized the way we consume written content. Whether you are a student looking for course material, an avid reader searching for your next favorite book, or a professional seeking research papers, the option to download Haundai Tucson Blend Door Actuator Location has opened up a world of possibilities. Downloading Haundai Tucson Blend Door Actuator Location provides numerous advantages over physical copies of books and documents. Firstly, it is incredibly convenient. Gone are the days of carrying around heavy textbooks or bulky folders filled with papers. With the click of a button, you can gain immediate access to valuable resources on any device. This convenience allows for efficient studying, researching, and reading on the go. Moreover, the cost-effective nature of downloading Haundai Tucson Blend Door Actuator Location has democratized knowledge. Traditional books and academic journals can be expensive, making it difficult for individuals with limited financial resources to access information. By offering free PDF downloads, publishers and authors are enabling a wider audience to benefit from their work. This inclusivity promotes equal opportunities for learning and personal growth. There are numerous websites and platforms where individuals can download Haundai Tucson Blend Door Actuator Location. These websites range from academic databases offering research papers and journals to online libraries with an expansive collection of books from various genres. Many authors and publishers also upload their work to specific websites, granting readers access to their content without any charge. These platforms not only provide access to existing literature but also serve as an excellent platform for undiscovered authors to share their work with the world. However, it is essential to be cautious while downloading Haundai Tucson Blend Door Actuator Location. Some websites may offer pirated or illegally obtained copies of copyrighted material. Engaging in such activities not only violates copyright laws but also undermines the efforts of authors, publishers, and researchers. To ensure ethical downloading, it is advisable to utilize reputable websites that prioritize the legal distribution of content. When downloading Haundai Tucson Blend Door Actuator Location, users should also consider the potential security risks associated with online platforms. Malicious actors may exploit vulnerabilities in unprotected websites to distribute malware or steal personal information. To protect themselves, individuals should ensure their devices have reliable antivirus software installed and validate the legitimacy of the websites they are downloading from. In conclusion, the ability to download Haundai Tucson Blend Door Actuator Location has transformed the way we access information. With the convenience, cost-effectiveness, and accessibility it offers, free PDF downloads have become a popular choice for students, researchers, and book lovers worldwide. However, it is

crucial to engage in ethical downloading practices and prioritize personal security when utilizing online platforms. By doing so, individuals can make the most of the vast array of free PDF resources available and embark on a journey of continuous learning and intellectual growth.

FAQs About Haundai Tucson Blend Door Actuator Location Books

What is a Haundai Tucson Blend Door Actuator Location PDF? A PDF (Portable Document Format) is a file format developed by Adobe that preserves the layout and formatting of a document, regardless of the software, hardware, or operating system used to view or print it. **How do I create a Haundai Tucson Blend Door Actuator Location PDF?**

There are several ways to create a PDF: Use software like Adobe Acrobat, Microsoft Word, or Google Docs, which often have built-in PDF creation tools. Print to PDF: Many applications and operating systems have a "Print to PDF" option that allows you to save a document as a PDF file instead of printing it on paper. Online converters: There are various online tools that can convert different file types to PDF. **How do I edit a Haundai Tucson Blend Door Actuator Location PDF?** Editing a PDF can be done with software like Adobe Acrobat, which allows direct editing of text, images, and other elements within the PDF. Some free tools, like PDFescape or Smallpdf, also offer basic editing capabilities. **How do I convert a Haundai**

Tucson Blend Door Actuator Location PDF to another file format? There are multiple ways to convert a PDF to another format: Use online converters like Smallpdf, Zamzar, or Adobe Acrobats export feature to convert PDFs to formats like Word, Excel, JPEG, etc. Software like Adobe Acrobat, Microsoft Word, or other PDF editors may have options to export or save PDFs in different formats. **How do I password-protect a Haundai Tucson Blend Door Actuator Location PDF?** Most PDF

editing software allows you to add password protection. In Adobe Acrobat, for instance, you can go to "File" -> "Properties" -> "Security" to set a password to restrict access or editing capabilities. Are there any free alternatives to Adobe Acrobat for working with PDFs? Yes, there are many free alternatives for working with PDFs, such as: LibreOffice: Offers PDF editing features. PDFsam: Allows splitting, merging, and editing PDFs. Foxit Reader: Provides basic PDF viewing and editing capabilities. How do I compress a PDF file? You can use online tools like Smallpdf, ILovePDF, or desktop software like Adobe Acrobat to compress PDF files without significant quality loss. Compression reduces the file size, making it easier to share and download. Can I fill out forms in a PDF file? Yes, most PDF viewers/editors like Adobe Acrobat, Preview (on Mac), or various online tools allow you to fill out forms in PDF files by selecting text fields and entering information. Are there any restrictions when working with PDFs? Some PDFs might have restrictions set by their creator, such as password protection, editing restrictions, or print restrictions. Breaking these restrictions might require specific software or tools, which may or may not be legal depending on the circumstances and local laws.

Find Haundai Tucson Blend Door Actuator Location :

how will you know unless i tell you the positive power of praising people

hubble a new window to the universe

how to win at sony playstation games

human anatomy and physiology instructors guide

hugga bunch a hugga bunch hello

html and cgi unleashed

human blueprint

how to teach grammar

how words get their meanings or the concepture theory of language

how to take care of yourself healing messages for codependents

human approach to world peace

how will we get to the beach

human biology and health - science explorer - spanish edition biologia humana y salud

hugo wolf and the wagnerian inheritance

how we are hungry

Haundai Tucson Blend Door Actuator Location :

secret life of bees quiz ch9 10 223 plays quizizz - Sep 24 2022

web secret life of bees quiz ch9 10 quiz for 7th grade students find other quizzes for english and more on quizizz for free

the secret life of bees vocabulary quiz verbalworkout com - Apr 19 2022

web this quiz presents a word in a sentence with multiple choice meanings of the word that helps students get comfortable with the format of vocabulary questions on act sat tests the format also corresponds with how words are encountered when reading

the secret life of bees study questions multiple choice - Sep 05 2023

web the secret life of bees online study notesstudy questions multiple choice quiz 1 lily s mother died a of a mysterious disease b in a mysterious accident involving a gun c in a mysterious plane crash 2 when lily grows up she wants to a be writer and an english teacher

the secret life of bees chapter quizzes editable - Feb 15 2022

web description the secret life of bees this packet contains quizzes for the entire novel as follows chapter 1 short answer and 2 different multiple choice versions chapter 2 short answer and true false along with 2 different multiple choice with true false versions chapters 3 4 multiple choice in 2 versions

[the secret life of bees quizzes gradesaver](#) - Aug 04 2023

web the secret life of bees quiz 1 1 in what year does the book begin 1946 1964 1968 1972 2 what tragic event befell lily at the young age of four her mother died she was abandoned her father died she suffered a knee injury 3 where does the owens family live sylvan south carolina mcclellanville south carolina charleston south carolina

secret life of bees exam proprofs quiz - Jul 03 2023

web mar 21 2023 create your own quiz this test will assess your knowledge of the literary elements found in the novel secret life of bees by sue monk kidd literary elements include but are not limited to setting characterization plot allusion symbolism conflict and historical context vocabulary acquisition is also assessed

secret life of bees multiple choice 2023 assets ceu social - Aug 24 2022

web secret life of bees multiple choice whispering the strategies of language an psychological journey through secret life of bees multiple choice in a digitally driven earth wherever screens reign supreme and instant conversation drowns out the subtleties of language the profound secrets and emotional subtleties concealed within phrases usually

[secret life of bees chapter 1 quizizz](#) - Jul 23 2022

web multiple choice 10 seconds 1 pt what event causes lily to realize rosaleen really loves her rosaleen stands up to t ray for lily s pet rosaleen rescued lily from a rabid dog rosaleen tells lily happy birthday rosaleen asked to

[secret life of bees multiple choice pdf protese odontocompany](#) - Jun 02 2023

web secret life of bees multiple choice ready reference treatise the secret life of bees secret life of a tiger the secret of our success adaptation authorship and contemporary women filmmakers queen bees and wannabes sweetness and light fever 1793 the beekeeper s lament fruitless fall

[the secret life of bees full book quiz quick quiz sparknotes](#) - Oct 06 2023

web full book quick quizzes test your knowledge on all of the secret life of bees perfect prep for the secret life of bees quizzes and tests you might have in school

the secret life of bees reading group choices - Mar 19 2022

web sue monk kidd s first novel the secret life of bees spent more than one hundred weeks on the new york times bestseller list has sold more than four million copies and was chosen as the 2004 booksense paperback book of the year and good morning america s read this book club pick she is also the author of several acclaimed memoirs and

[secret life of bees multiple choice orientation sutd edu](#) - May 01 2023

web contract can be gotten by just checking out a book secret life of bees multiple choice moreover it is not right away done you could believe even more close to this life nearly the world

secret life of bees multiple choice copy protease odontocompany - Nov 26 2022

web secret life of bees multiple choice the secret lives of garden bees when the heart waits the secret life of flies my teacher s secret life the invention of wings the invisible life of addie larue fever 1793 the secret of the stone frog the murmur of bees the little secret i am an emotional creature this tender land stuff you should

secret life of bees 476 plays quizizz - Jan 29 2023

web secret life of bees quiz for 8th grade students find other quizzes for english and more on quizizz for free
the secret life of bees 338 plays quizizz - Dec 28 2022

web the secret life of bees deleted user 338 plays 20 questions copy edit live session assign show answers see preview multiple choice 10 seconds 1 pt in what state does the story take place south carolina virginia africa multiple choice 10 seconds 1 pt what time does the story take place 1987 b c it takes place in 1946 1964 multiple choice

secret life of bees chapter 1 360 plays quizizz - Mar 31 2023

web secret life of bees chapter 1 quiz for 7th grade students find other quizzes for english and more on quizizz for free
the secret life of bees study guide sparknotes - Feb 27 2023

web the secret life of bees is a novel by sue monk kidd that was first published in 2001 explore a plot summary an in depth analysis of lily owens and important quotes summary read our full plot summary and analysis of the secret life of bees scene by scene break downs and more summary analysis chapter 1 chapters 2 3 chapters

secret life of bees literary devices quizizz - Oct 26 2022

web secret life of bees literary devices quiz for 9th grade students find other quizzes for english and more on quizizz for free
the secret life of bees pte king pte real exam questions - Jun 21 2022

web mcq multiple select mcq single select listening sst summarize spoken text listening multiple choice single listening multiple choice multiple listening select missing word listening fill in the blanks wfd write from dictation practice tips pte priority tasks pte overall exam strategy prices

the secret life of bees 373 plays quizizz - May 21 2022

web the secret life of bees quiz for kg students find other quizzes for english and more on quizizz for free

the racecar book build and race mousetrap cars dragsters tri - Oct 11 2022

web the racecar book build and race mousetrap cars dragsters tri can haulers more science in motion long range agricultural policy may 03 2021 fcs circular nov 21 2022 occupational safety and health act review 1974 jan 11 2022 bulk milk tanks on ohio farms sep 26 2020 farmer cooperatives sep 07 2021

the racecar book build and race mousetrap cars dragsters - Mar 16 2023

web the racecar book will teach readers how to use mousetraps rubber bands chemical reactions gravity and air pressure to power these fast moving cars they will learn how to turn a potato

the racecar book build and race mousetrap cars dragsters - Dec 13 2022

web browse borrow and enjoy titles from the national library board singapore digital collection

pdf the racecar book build and race mousetrap cars - Oct 23 2023

web free essays homework help flashcards research papers book reports term papers history science politics studylib documents flashcards chrome extension login upload document create flashcards pdf the racecar book build and race mousetrap cars dragsters

the racecar book build and race mousetrap cars dr pdf - Mar 04 2022

web presents instructions for building race cars using a classic lego set including such models as stock cars dragsters formula cars and sports cars build my own race cars dec 23 2022 read all about the world of car racing and then build three race cars with the included bricks this set of over 100 building bricks plus book is an amazing

the racecar book build and race mousetrap by mercer bobby - Sep 22 2023

web oct 1 2013 the racecar book build and race mousetrap by mercer bobby stores education early childhood buy new 8 17 list price 14 95 save 6 78 45 3 99 delivery november 22 24 details select delivery location in stock qty 1 buy now ships from bookmarkit sold by bookmarkit returns returnable until jan 31 2024 payment

the racecar book on apple books - Aug 09 2022

web oct 1 2013 each of the 25 easy to build racecars is constructed for little or no cost using recycled and repurposed materials retrofit a toy car with a model plane propeller to make an air powered prop car turn a potato chip can a

the racecar book build and race mousetrap cars dr - Jun 07 2022

web the racecar book build and race mousetrap cars dr an introduction to mechanical engineering si edition oct 30 2021 an introduction to mechanical engineering introduces students to the ever emerging field of mechanical engineering giving an appreciation for how engineers design the hardware that builds and improves

the racecar book build and race mousetrap cars dragsters - Sep 10 2022

web the racecar book build and race mousetrap cars dragsters tri can haulers more science in motion by mercer bobby isbn 10 1613747144 isbn 13 9781613747148 chicago review press 2013 softcover

the racecar book build and race mousetrap cars dragsters - Jun 19 2023

web the racecar book build and race mousetrap cars dragsters tri can haulers more ebook written by bobby mercer read this book using google play books app on your pc android ios devices

the racecar book build and race mousetrap cars dragsters - Nov 12 2022

web order the book the racecar book build and race mousetrap cars dragsters tri can haulers more paperback in bulk at wholesale prices isbn 9781613747148 by bobby mercer

the racecar book build and race mousetrap cars dragsters tri can - May 18 2023

web oct 1 2013 author and physics teacher bobby mercer shows how to use mousetraps rubber bands chemical reactions gravity and air pressure to power fast moving vehicles each of the 25 easy to build racecars is constructed for little or no cost using recycled and repurposed materials

the racecar book build and race mousetrap cars dragst - Jul 20 2023

web jan 1 2013 3 50 4 ratings1 review you may not be old enough to drive but that doesn't mean you can't satisfy your need for speed author and physics teacher bobby mercer shows how to use mousetraps rubber bands chemical reactions gravity and air pressure to power fast moving vehicles

racecar book build and race mousetrap cars dragsters tri - Apr 17 2023

web instantly access racecar book build and race mousetrap cars dragsters tri can haulers more plus over 40 000 of the best books videos for kids racecar book build and race mousetrap cars dragsters tri can haulers

the racecar book build and race mousetrap cars dragsters - Feb 15 2023

web oct 1 2013 though students aren't yet old enough to drive that doesn't mean they can't satisfy their need for speed author and physics teacher bobby mercer will show readers 25 easy to build racecars that can be driven both indoors and out better still each of these vehicles is constructed for little or no cost using recycled and repurposed materials the

build and race mousetrap cars dragsters tri can haulers and - Jul 08 2022

web build and race mousetrap cars dragsters tri can haulers and more science in motion the racecar book build and race mousetrap cars dragsters tri can haulers more science in motion bobby mercer the racecar book build and race mousetrap cars dragsters tri can haulers more science in motion read harbor

the racecar book chicago review press build a mousetrap car - Apr 05 2022

web suggested reading from chicago review press presidents day

the racecar book build and race mousetrap cars dragsters tri - Aug 21 2023

web the racecar book build and race mousetrap cars dragsters tri can haulers more by mercer bobby 1961 author

the racecar book build and race mousetrap cars dragsters - Jan 14 2023

web every project in the racecar book contains a materials list and detailed step by step instructions with photos for easy assembly mercer also includes explanations of the science behind each racecar including concepts such as friction newton's laws of motion kinetic and potential energy and more

free pdf download the racecar book build and race mousetrap cars dr - May 06 2022

web you read and create your own amazing race car to bring the story to life building a race car mar 31 2022 build my own race cars jun 14 2023 read all about the world of car racing and then build three race cars with the included bricks this set of over 100 building bricks plus book is an amazing value when priced against similar products

taylor manuals htg service - Feb 08 2023

web download the operators manual for your taylor soft serve and frozen beverage machines or taylor clamshell grills

taylor model 35 grill manual pdf jupiter goinglobal - Aug 02 2022

web the taylor grills included in this manual consist of the base model numbers 811 813 819 and 821 prefix letters were added to the base model numbers to denote minor design

taylor c850 series equipment manual pdf - Oct 04 2022

web taylor model 35 grill manual taylor grill user manuals download manualslib taylor grill manuals and user guides pdf preview and download taylor model 35 grill

[taylor grill manuals and user guides pdf preview and download](#) - Jul 13 2023

web taylor grill manuals 21 taylor grill manuals and user guides 73 models were found in all guides database

weatherguide deluxe weather forecaster with barometer - Feb 25 2022

web view and download baltur tbg 35p instruction manual for installation use and maintenance online two stage gas burners tbg 35p burner pdf manual

[free taylor electric grill user manuals manualsonline com](#) - Sep 22 2021

taylor grill user manuals download manualslib - Aug 14 2023

web download 54 taylor grill pdf manuals user manuals taylor grill operating guides and service manuals

[taylor c832 service manual pdf download](#) - May 11 2023

web view and download taylor c832 service manual online mcdonald s intelligap grills c832 grill pdf manual download also for c834 c842 c844 c845 c836 c835 c838

taylor 7335 instruction manual pdf download - Nov 24 2021

web je cherche la notice du grill taylor model 22 62 clamshell grill manual i am in need of a presses foot lifter for my tailo need manual for 22 23 taylor grill

taylor product support manualsonline com - Oct 24 2021

baltur tbg 35p instruction manual for installation use and - Dec 26 2021

web cooking manuals and free pdf instructions find the outdoor cooking product manual you need at manualsonline

model 811 813 819 821 series auto lift gas grills - May 31 2022

web tbg 35 mc mekanik oransal gaz brülörleri 80 410 kw teknik Özellikler en676 standartlarına uygun ce sertifikalı gaz brülörü ısıl güç kw model kod elektrik

taylor c835 manuals manualslib - Apr 10 2023

web manuals and user guides for taylor c835 we have 1 taylor c835 manual available for free pdf download service manual taylor c835 service manual 219 pages

taylor model 32 35 controller programming youtube - Jun 12 2023

web apr 17 2018 taylor model 32 35 controller programming dlauser 36 subscribers subscribe 4 4k views 4 years ago how to program a taylor 32 35 grill controller show

taylor 5535e user manual pdf download manualslib - Jan 27 2022

web also some models have a static cling label on the lens to prevent scratching please remove before use 2 your scale has been set at the factory to read weight in pounds

taylor user manuals download manualslib - Apr 29 2022

web model 1735 instruction manual welcome to the taylor weatherguide system simple reliable accurate it allows you to monitor indoor or outdoor locations from one room

taylor product support manualsonline com - Jul 01 2022

web view download of more than 994 taylor pdf user manuals service manuals operating guides guitar scales user manuals operating guides specifications

tbg 35 mc yildizteknikisitma com - Mar 29 2022

web indoor thermometer with humidiguide 5535e thermometer pdf manual download sign in upload download add to my manuals delete from my manuals share url of this

operator s manual static pt com - Sep 03 2022

web free kitchen appliance user manuals instructions and product support information find owners guides and pdf support documentation for blenders coffee makers juicers and

clamshell grill taylor model 36 static pt com - Mar 09 2023

web clamshell grill taylor model 36 place this chapter in the grill section of the equipment manual manufactured exclusively for mcdonald sr by taylor a division of carrier

free taylor kitchen grill user manuals manualsonline com - Jan 07 2023

web free kitchen appliance user manuals instructions and product support information find owners guides and pdf support

documentation for blenders coffee makers juicers and

taylor manuals and user guides - Nov 05 2022

web sep 15 2010 the taylor grills included in this manual consist of the base model numbers 810 812 820 822 and 828
prefix letters were added to the base model

taylor c850 manual pdf download manualslib - Dec 06 2022

web taylor 444 manuals taylor ice cream maker 444 operator s manual 42 pages taylor ice cream maker 444 operator s
manual 35 pages 8 taylor 702 manuals taylor ice