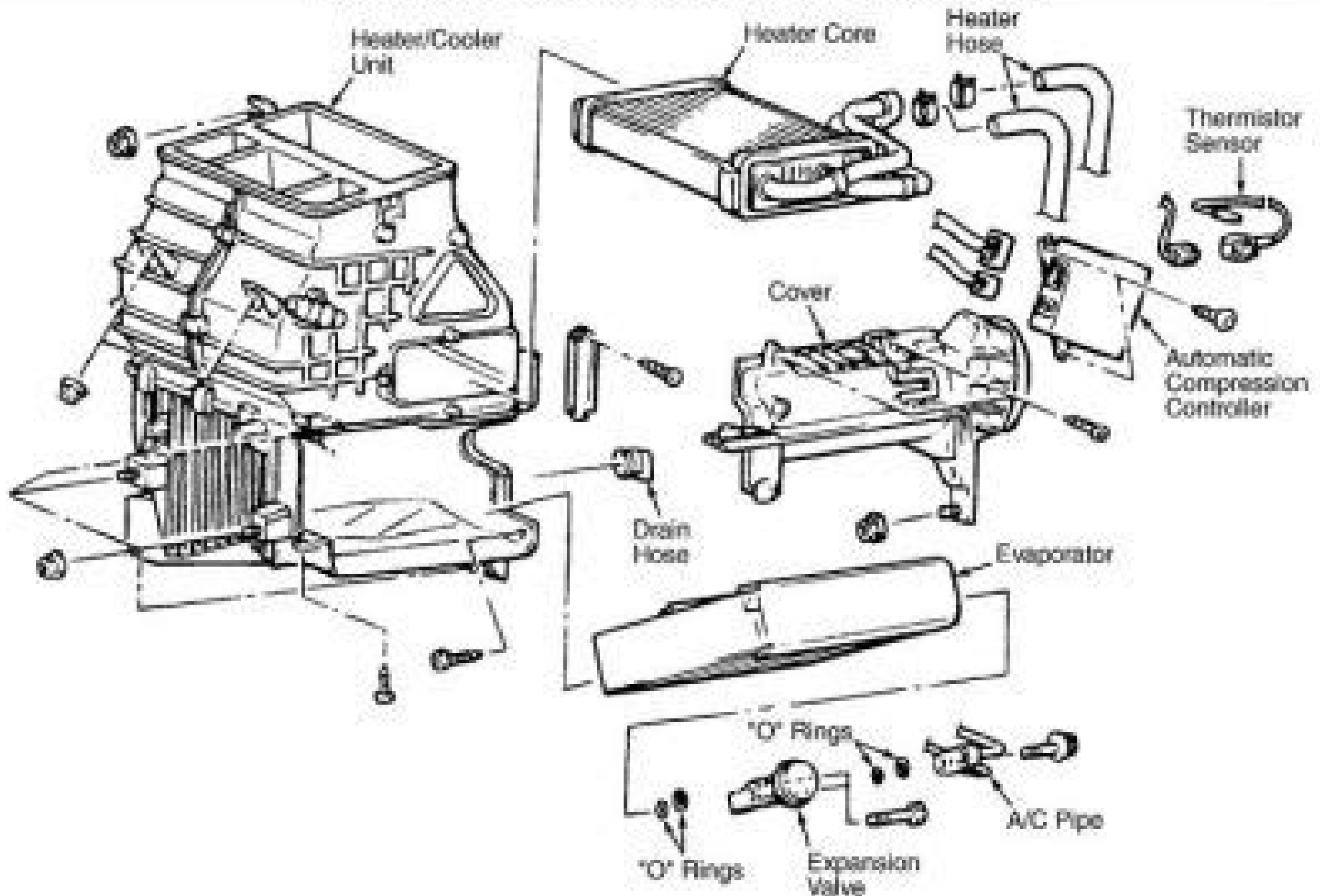


2001 Mitsubishi Galant DE

Fig. 17: Identifying Heater/Cooler Assembly Components
Courtesy of MITSUBISHI MOTOR SALES OF AMERICA.



Mitsubishi Galant Air Conditioner Problems

Jianjun Gao



Mitsubishi Galant Air Conditioner Problems:

Motor Air Conditioner & Heater Manual ,1988-01-01 *Mitsubishi Cars and Trucks, 1983-89* Chilton Automotive Books,Chilton Automotive Editorial Staff,Chilton,1990-08 Covers all models of Cordia Galant Mirage Mighty Max Montero Pick Up Precis Sigma Starion and Tredia 2 and 4 wheel drive gasoline and diesel engines **Motor Trend** ,1987-07

Popular Mechanics ,1995-02 Popular Mechanics inspires instructs and influences readers to help them master the modern world Whether it s practical DIY home improvement tips gadgets and digital technology information on the newest cars or the latest breakthroughs in science PM is the ultimate guide to our high tech lifestyle **How to Make Your Car Last Forever** Thomas Torbjornsen,2010-10-03 For many people a well maintained automobile is a source of pride and peace of mind But for others the idea of routine maintenance is daunting How to Make Your Car Last Forever will guide you through the minefield of preventative maintenance repair extended warranties and magic elixirs that claim to cure everything from oil consumption to male pattern baldness Author car repair expert and host of satellite radio show America s Car Show with Tom Torbjornsen Tom Torbjornsen has seen it all in his 40 years in the automobile industry Let him show you how to extend the life of your car indefinitely In How to Make Your Car Last Forever he explains the what when and why s of automotive maintenance and repairs in easy to understand terms Simple how to projects supplement the learning with step by step instructions that will save you time and money While you may not want your car to last forever Torbjornsen s advice will help you preserve it indefinitely while maximizing resale value down the road Preventative maintenance is the key to the automotive fountain of youth Let Tom Torbjornsen show you the way **Lemon-Aid New Cars and Trucks 2012** Phil Edmonston,2011-01-01 Phil Edmonston Canada s automotive Dr Phil pulls no punches He says there s never been a better time to buy a new car or truck thanks to a stronger Canadian dollar and an auto industry offering reduced prices more cash rebates low financing rates bargain leases and free auto maintenance programs In this all new guide he says Audis are beautiful to behold but hell to own biodegradable transmissions rodent snack wiring and mind boggling depreciation Many 2011 12 automobiles have chin to chest head restraints blinding dash reflections and dash gauges that can t be seen in sunlight not to mention painful wind tunnel roar if the rear windows are opened while underway Ethanol and hybrid fuel saving claims have more in common with Harry Potter than the Society of Automotive Engineers GM s 2012 Volt electric car is a mixture of hype and hypocrisy from the car company that killed its own electric car more than a decade ago You can save 2 000 by cutting freight fees and administrative charges Diesel annual urea fill up scams can cost you 300 including an 80 handling charge for 25 worth of urea Lemon Aid s 2011 12 Endangered Species List the Chinese Volvo the Indian Jaguar and Land Rover the Mercedes Benz Smart Car Mitsubishi and Suzuki **Air Pollution Abstracts** ,1976 **Popular Mechanics** ,1988-08 Popular Mechanics inspires instructs and influences readers to help them master the modern world Whether it s practical DIY home improvement tips gadgets and digital technology information on the newest cars or the

latest breakthroughs in science PM is the ultimate guide to our high tech lifestyle *How to Build Max-Performance Mitsubishi 4G63t Engines* Robert Bowen,2008-08-01 *How to Build Max Performance Mitsubishi 4G63 Engines* covers every system and component of the engine including the turbocharger system and engine management More than just a collection of tips and tricks however this book includes a complete history of the engine and its evolution an identification guide and advice for choosing engine components and other parts including bolt ons and transmission and drivetrain upgrades Profiles of successful built up engines show the reader examples of what works and helpful guidance for choosing the path of their own engine build **Product Safety & Liability Reporter** ,2005 *Kiplinger's Personal Finance* ,1990-10 The most trustworthy source of information available today on savings and investments taxes money management home ownership and many other personal finance topics **Automobile Book 1998** Consumer Guide,Consumer Guide Editors,1998-01-19 Whether you re interested in passenger cars sport utility vehicles trucks or minivans all are discussed in this invaluable guide to the new 1998 vehicles Over 165 cars trucks and vans are reviewed and rated in every important category from price to handling to options Don t make an uninformed decision get the guide that takes the hassle out of car buying Intelligent Systems Report ,1991 **Autocar & Motor** ,1993 **N.A.P.C.A. Abstract Bulletin** United States. Environmental Protection Agency,1971 **Popular Science** ,1992-04 Popular Science gives our readers the information and tools to improve their technology and their world The core belief that Popular Science and our readers share The future is going to be better and science and technology are the driving forces that will help make it better *Popular Mechanics* ,1994-11 Popular Mechanics inspires instructs and influences readers to help them master the modern world Whether it s practical DIY home improvement tips gadgets and digital technology information on the newest cars or the latest breakthroughs in science PM is the ultimate guide to our high tech lifestyle *Popular Science* ,1993-12 Popular Science gives our readers the information and tools to improve their technology and their world The core belief that Popular Science and our readers share The future is going to be better and science and technology are the driving forces that will help make it better **The Power Report on Automotive Marketing** ,1993 *New Car & Truck Buying Guide* American Automobile Association,1955 From AAA The Experts You Trust AAA Top Car Award winners for 2000 Reviews for 200 new cars minivans SUVs and trucks Easy to read comparison charts graphs and specifications Fuel economy reports Pricing information for all models Tips on negotiating the best deal for you Advice on the Buy VS Lease decision AAA Consumer Advice Selecting the right car for you Evaluating the safety features you need Warranties what s covered what s not Latest information on child safety seats Financing and insuring your new vehicle

Fuel your quest for knowledge with Authored by is thought-provoking masterpiece, **Mitsubishi Galant Air Conditioner Problems** . This educational ebook, conveniently sized in PDF (*), is a gateway to personal growth and intellectual stimulation. Immerse yourself in the enriching content curated to cater to every eager mind. Download now and embark on a learning journey that promises to expand your horizons. .

<https://staging.conocer.cide.edu/About/scholarship/index.jsp/Loss%20Models%20From%20Data%20To%20Decisions%203d%20Edition.pdf>

Table of Contents Mitsubishi Galant Air Conditioner Problems

1. Understanding the eBook Mitsubishi Galant Air Conditioner Problems
 - The Rise of Digital Reading Mitsubishi Galant Air Conditioner Problems
 - Advantages of eBooks Over Traditional Books
2. Identifying Mitsubishi Galant Air Conditioner Problems
 - Exploring Different Genres
 - Considering Fiction vs. Non-Fiction
 - Determining Your Reading Goals
3. Choosing the Right eBook Platform
 - Popular eBook Platforms
 - Features to Look for in an Mitsubishi Galant Air Conditioner Problems
 - User-Friendly Interface
4. Exploring eBook Recommendations from Mitsubishi Galant Air Conditioner Problems
 - Personalized Recommendations
 - Mitsubishi Galant Air Conditioner Problems User Reviews and Ratings
 - Mitsubishi Galant Air Conditioner Problems and Bestseller Lists
5. Accessing Mitsubishi Galant Air Conditioner Problems Free and Paid eBooks
 - Mitsubishi Galant Air Conditioner Problems Public Domain eBooks
 - Mitsubishi Galant Air Conditioner Problems eBook Subscription Services

- Mitsubishi Galant Air Conditioner Problems Budget-Friendly Options
- 6. Navigating Mitsubishi Galant Air Conditioner Problems eBook Formats
 - ePub, PDF, MOBI, and More
 - Mitsubishi Galant Air Conditioner Problems Compatibility with Devices
 - Mitsubishi Galant Air Conditioner Problems Enhanced eBook Features
- 7. Enhancing Your Reading Experience
 - Adjustable Fonts and Text Sizes of Mitsubishi Galant Air Conditioner Problems
 - Highlighting and Note-Taking Mitsubishi Galant Air Conditioner Problems
 - Interactive Elements Mitsubishi Galant Air Conditioner Problems
- 8. Staying Engaged with Mitsubishi Galant Air Conditioner Problems
 - Joining Online Reading Communities
 - Participating in Virtual Book Clubs
 - Following Authors and Publishers Mitsubishi Galant Air Conditioner Problems
- 9. Balancing eBooks and Physical Books Mitsubishi Galant Air Conditioner Problems
 - Benefits of a Digital Library
 - Creating a Diverse Reading Collection Mitsubishi Galant Air Conditioner Problems
- 10. Overcoming Reading Challenges
 - Dealing with Digital Eye Strain
 - Minimizing Distractions
 - Managing Screen Time
- 11. Cultivating a Reading Routine Mitsubishi Galant Air Conditioner Problems
 - Setting Reading Goals Mitsubishi Galant Air Conditioner Problems
 - Carving Out Dedicated Reading Time
- 12. Sourcing Reliable Information of Mitsubishi Galant Air Conditioner Problems
 - Fact-Checking eBook Content of Mitsubishi Galant Air Conditioner Problems
 - Distinguishing Credible Sources
- 13. Promoting Lifelong Learning
 - Utilizing eBooks for Skill Development
 - Exploring Educational eBooks
- 14. Embracing eBook Trends

- Integration of Multimedia Elements
- Interactive and Gamified eBooks

Mitsubishi Galant Air Conditioner Problems Introduction

In this digital age, the convenience of accessing information at our fingertips has become a necessity. Whether its research papers, eBooks, or user manuals, PDF files have become the preferred format for sharing and reading documents. However, the cost associated with purchasing PDF files can sometimes be a barrier for many individuals and organizations. Thankfully, there are numerous websites and platforms that allow users to download free PDF files legally. In this article, we will explore some of the best platforms to download free PDFs. One of the most popular platforms to download free PDF files is Project Gutenberg. This online library offers over 60,000 free eBooks that are in the public domain. From classic literature to historical documents, Project Gutenberg provides a wide range of PDF files that can be downloaded and enjoyed on various devices. The website is user-friendly and allows users to search for specific titles or browse through different categories. Another reliable platform for downloading Mitsubishi Galant Air Conditioner Problems free PDF files is Open Library. With its vast collection of over 1 million eBooks, Open Library has something for every reader. The website offers a seamless experience by providing options to borrow or download PDF files. Users simply need to create a free account to access this treasure trove of knowledge. Open Library also allows users to contribute by uploading and sharing their own PDF files, making it a collaborative platform for book enthusiasts. For those interested in academic resources, there are websites dedicated to providing free PDFs of research papers and scientific articles. One such website is Academia.edu, which allows researchers and scholars to share their work with a global audience. Users can download PDF files of research papers, theses, and dissertations covering a wide range of subjects. Academia.edu also provides a platform for discussions and networking within the academic community. When it comes to downloading Mitsubishi Galant Air Conditioner Problems free PDF files of magazines, brochures, and catalogs, Issuu is a popular choice. This digital publishing platform hosts a vast collection of publications from around the world. Users can search for specific titles or explore various categories and genres. Issuu offers a seamless reading experience with its user-friendly interface and allows users to download PDF files for offline reading. Apart from dedicated platforms, search engines also play a crucial role in finding free PDF files. Google, for instance, has an advanced search feature that allows users to filter results by file type. By specifying the file type as "PDF," users can find websites that offer free PDF downloads on a specific topic. While downloading Mitsubishi Galant Air Conditioner Problems free PDF files is convenient, its important to note that copyright laws must be respected. Always ensure that the PDF files you download are legally available for free. Many authors and publishers voluntarily provide free PDF versions of their work, but its essential to be cautious and verify the authenticity of the source before downloading

Mitsubishi Galant Air Conditioner Problems. In conclusion, the internet offers numerous platforms and websites that allow users to download free PDF files legally. Whether its classic literature, research papers, or magazines, there is something for everyone. The platforms mentioned in this article, such as Project Gutenberg, Open Library, Academia.edu, and Issuu, provide access to a vast collection of PDF files. However, users should always be cautious and verify the legality of the source before downloading Mitsubishi Galant Air Conditioner Problems any PDF files. With these platforms, the world of PDF downloads is just a click away.

FAQs About Mitsubishi Galant Air Conditioner Problems Books

1. Where can I buy Mitsubishi Galant Air Conditioner Problems books? Bookstores: Physical bookstores like Barnes & Noble, Waterstones, and independent local stores. Online Retailers: Amazon, Book Depository, and various online bookstores offer a wide range of books in physical and digital formats.
2. What are the different book formats available? Hardcover: Sturdy and durable, usually more expensive. Paperback: Cheaper, lighter, and more portable than hardcovers. E-books: Digital books available for e-readers like Kindle or software like Apple Books, Kindle, and Google Play Books.
3. How do I choose a Mitsubishi Galant Air Conditioner Problems book to read? Genres: Consider the genre you enjoy (fiction, non-fiction, mystery, sci-fi, etc.). Recommendations: Ask friends, join book clubs, or explore online reviews and recommendations. Author: If you like a particular author, you might enjoy more of their work.
4. How do I take care of Mitsubishi Galant Air Conditioner Problems books? Storage: Keep them away from direct sunlight and in a dry environment. Handling: Avoid folding pages, use bookmarks, and handle them with clean hands. Cleaning: Gently dust the covers and pages occasionally.
5. Can I borrow books without buying them? Public Libraries: Local libraries offer a wide range of books for borrowing. Book Swaps: Community book exchanges or online platforms where people exchange books.
6. How can I track my reading progress or manage my book collection? Book Tracking Apps: Goodreads, LibraryThing, and Book Catalogue are popular apps for tracking your reading progress and managing book collections. Spreadsheets: You can create your own spreadsheet to track books read, ratings, and other details.
7. What are Mitsubishi Galant Air Conditioner Problems audiobooks, and where can I find them? Audiobooks: Audio recordings of books, perfect for listening while commuting or multitasking. Platforms: Audible, LibriVox, and Google Play Books offer a wide selection of audiobooks.

8. How do I support authors or the book industry? Buy Books: Purchase books from authors or independent bookstores. Reviews: Leave reviews on platforms like Goodreads or Amazon. Promotion: Share your favorite books on social media or recommend them to friends.
9. Are there book clubs or reading communities I can join? Local Clubs: Check for local book clubs in libraries or community centers. Online Communities: Platforms like Goodreads have virtual book clubs and discussion groups.
10. Can I read Mitsubishi Galant Air Conditioner Problems books for free? Public Domain Books: Many classic books are available for free as they're in the public domain. Free E-books: Some websites offer free e-books legally, like Project Gutenberg or Open Library.

Find Mitsubishi Galant Air Conditioner Problems :

loss models from data to decisions 3d edition

[love and lunacy a story minute selection reformatted english edition](#)

love hurts caged love book 1

looks like love feels like hate 2

love in paris a heartwarming love story english edition

los hollister y el viejo barco

[love so irresistible the lawson brothers book english edition](#)

[love your body now start accepting your beautiful body](#)

~~lost and found pack rules book 5~~

loom graph paper

[looking out looking in](#)

~~lotus elise owners handbook~~

love of a lifetime love in salem book english edition

los futbolisimos 1 el misterio de los arbitros dormidos

lovaas me book 4 3mb

Mitsubishi Galant Air Conditioner Problems :

environmental engineering fundamentals sustainability design - Oct 12 2022

web jan 13 2014 environmental engineering fundamentals sustainability design presents civil engineers with an

introduction to chemistry and biology through a mass and energy balance approach abet required

[wiley environmental engineering fundamentals sustainability design](#) - Dec 14 2022

web description environmental engineering 3rd edition is a balanced and up to date presentation of the core concepts of sustainable design providing a mass and energy approach to the biology and chemistry of the environment while emphasizing the development of innovative and resilient solutions to environmental challenges

[environmental engineering fundamentals sustainability design](#) - Jun 20 2023

web focuses on modern sustainable design concepts processes and practices applies foundational principles of physics chemistry biology and sustainability to creating solutions for managing and mitigating environmental problems places emphasis on global issues such as pollution prevention and resource recovery

environmental engineering fundamentals sustainability design - Apr 18 2023

web environmental engineering fundamentals sustainability design presents civil engineers with an introduction to chemistry and biology through a mass and energy balance approach abet required topics of emerging importance such as sustainable and global engineering are also covered

environmental engineering fundamentals sustainability design - Aug 22 2023

web environmental engineering fundamentals sustainability design mihelcic james r author editor free download borrow and streaming internet archive

environmental engineering fundamentals sustainability design - Nov 13 2022

web wiley 2011 environmental engineering 695 pages mihelcic and zimmerman introduce the field of environmental engineering by engaging the student in the comprehensive development of basic principles as well as providing a *environmental engg fndmtls 2e 2nd edition amazon com* - Jul 09 2022

web jan 13 2014 now in its second edition environmental engineering fundamentals sustainability design by mihelcic and zimmerman has evolved from the traditional approach centered on describing characterizing quantifying and monitoring current environmental problems to one that is focused on the design and development of

environmental engineering fundamentals sustainability design - Aug 10 2022

web environmental engineering fundamentals sustainability design 2nd edition james r mihelcic julie b zimmerman wiley jan 2 2014 technology engineering 768 pages now in its second edition environmental engineering fundamentals sustainability design by mihelcic and zimmerman has evolved from the traditional

environmental engineering fundamentals sustainability design - May 07 2022

web authors james r mihelcic author editor julie beth zimmerman author editor martin t auer summary environmental engineering fundamentals sustainability design presents civil engineers with an introduction to chemistry and biology

through a mass and energy balance approach

environmental engineering fundamentals sustainability design - Jul 21 2023

web jul 14 2021 focuses on modern sustainable design concepts processes and practices applies foundational principles of physics chemistry biology and sustainability to creating solutions for managing

environmental engineering fundamentals sustainability design - Apr 06 2022

web fundamentals sustainability design by mihelcic james r field guide to environmental engineering for development workers theory and practice environmental engineering sustainable design fluid mechanics for civil and environmental engineers sustainable design through process integration

environmental engineering fundamentals sustainability design - Mar 17 2023

web environmental engineering fundamentals sustainability design author james r mihelcic author summary this chapter discusses the evolution of protecting human health and the environment from regulatory approaches to sustainable development highlighting critical opportunities for engineers to design appropriate resilient solutions

environmental engineering fundamentals sustainability design - Sep 11 2022

web environmental engineering fundamentals sustainability design environmental engineering fundamentals of environmental engineering field guide to environmental engineering for development workers green solvents for environmental remediation fundamentals sustainability design site assessment and remediation for

environmental engineering fundamentals sustainability design - Sep 23 2023

web focuses on modern sustainable design concepts processes and practices applies foundational principles of physics chemistry biology and sustainability to creating solutions for managing and mitigating environmental problems places emphasis on global issues such as pollution prevention and resource recovery

environmental engineering fundamentals sustainability design - Feb 16 2023

web environmental engineering fundamentals sustainability design 2nd edition environmental engineering general introductory civil engineering construction subjects wiley americas europe asia pacific africa and middle east anguilla antigua and barbuda argentina aruba bahamas barbados belize bermuda bolivia brazil

wiley environmental engineering fundamentals sustainability design - Jan 15 2023

web sustainable technologies in addition to academic pursuits julie has assisted many of the fortune 100 companies in developing innovation strategies based on the principles of sustainability green chemistry and green engineering through her consulting company sustainability a to z llc related resources

introduction to environmental engineering wiley online library - Feb 04 2022

web environmental engineering fundamentals sustainability design 2009 hardcover isbn 978 0 470 16505 8 nemerow n l

agardy f j salvato j a environmental engineering water wastewater soil and groundwater treatment and remediation 2009
hardcover isbn 978 0 470 08303 1 porteous a dictionary of environmental science

environmental engineering fundamentals sustainability design - Mar 05 2022

web environmental engineering fundamentals sustainability design mihelcic james r zimmerman julie b on amazon com free
shipping on qualifying offers

environmental engineering fundamentals sustainability design - Jun 08 2022

web environmental engineering 3rd edition is a balanced and up to date presentation of the core concepts of sustainable
design providing a mass and energy approach to the biology and chemistry of the environment while emphasizing the
development of innovative and resilient solutions to environmental challenges

environmental engineering fundamentals sustainability design - May 19 2023

web environmental engineering 3rd edition is a balanced and up to date presentation of the core concepts of sustainable
design providing a mass and energy approach to the biology and chemistry of the environment while emphasizing the
development of innovative and resilient solutions to environmental challenges

lazy lion african animal tales band 12 copy - Jul 01 2022

web feb 28 2023 african animal tales lazy lion mwenye hadithi 9780340565650 mar 30 2005 web up to 4 cash back african
animal tales lazy lion by mwenye hadithi

amazon de kundenrezensionen lazy lion african animal - Aug 02 2022

web finde hilfreiche kundenrezensionen und rezensionsbewertungen für lazy lion african animal tales band 12 auf amazon de
lese ehrliche und unvoreingenommene

lazy lion african animal tales band 12 by mwenye hadithi - Dec 06 2022

web lazy lion african animal tales band 12 by mwenye hadithi for these reasons the black mamba is widely considered the
world s deadliest snake range and characteristics black

lazy lion african animal tales nuria store - Apr 29 2022

web brief summary lazy lion orders the animals to build him a house on the african plain the weaver birds build him a house
of nest grasses and palm leaves but lazy lion is too

lazy lion african animal tales abebooks - Sep 03 2022

web the animals do their best to please lion but he is very difficult to please will he ever find a home this is the story of how
lazy lion found his home on the great african plain a

stream lazy lion music listen to songs albums soundcloud - Dec 26 2021

web jan 15 2012 lazy lion ep posted 13 years ago 13 years ago this playlist has no tracks yet 1 omnipotent 2 746 6 repost

share copy link add to next up add to next up add

lazy lion african animal tales band 12 pdf uniport edu - Apr 10 2023

web apr 11 2023 lazy lion african animal tales band 12 1 7 downloaded from uniport edu ng on april 11 2023 by guest lazy lion african animal tales band 12 when people

lazy lion wikipedia - Feb 25 2022

web lazy lion is an african animal story written by mwenye hadithi and illustrated by adrienne kennaway about a lion who wanted a house to keep him dry from the big rain that was

lazy lion african animal tales band 12 thaneeya mcardle - Feb 08 2023

web african animal tales sleepy cheetah mwenye hadithi 2017 05 09 an african tale with a traditional feel celebrating the speed and grace of the cheetah a brand new title in

lazy lion african animal tales band 12 pdf - Sep 22 2021

web jun 19 2023 only to find a few stripes of black cloth he squeezes into them but greedy zebra is too big for them and his new coat bursts open the story of how all the animals

[african animal tales lazy lion book reviews toppsta](#) - May 31 2022

web this is book 12 in the african animal tales series see all african animal tales books here

lazy lion african animal tales amazon co uk - Nov 05 2022

web lazy lion orders the animals to build him a house on the african plain the weaver birds build him a house of nest grasses and palm leaves but lazy lion is too heavy to reach

lazy lion african animal tales band 12 amazon de - Aug 14 2023

web lazy lion orders the animals to build him a house on the african plain the weaver birds build him a house of nest grasses and palm leaves but lazy lion is too heavy to reach

african animal tales lazy lion hachette childrens uk - Oct 04 2022

web oct 16 2003 lazy lion orders the animals to build him a house on the african plain the weaver birds build him a house of nest grasses and palm leaves but lazy lion is too

african animal tales lazy lion exclusive books - Mar 29 2022

web the ant bears build him a house with many rooms and caverns but it is so dark lion can't see anything the animals do their best to please lion but he is very difficult to please

lazy lion african animal tales band 12 amazon de - Jul 13 2023

web may 3 1990 lazy lion african animal tales band 12 hadithi mwenye kennaway adrienne amazon de books

[lazy lion facebook](#) - Jan 27 2022

web lazy lion 1 056 likes musician band

african animal tales lazy lion paperback 1 may 1992 - Oct 24 2021

web african animal tales lazy lion paperback 1 may 1992 by mwenye hadithi author adrienne kennaway illustrator 4 8 out of 5 stars 78 ratings

lazy lion african animal tales band 12 by mwenye hadithi - Mar 09 2023

web lazy lion african animal tales band 12 by mwenye hadithi lazy lion african animal tales band 12 by mwenye hadithi year 2 home learning belmont infant school animals

lazy lion african animal tales band 12 wrbb neu - Jan 07 2023

web and install lazy lion african animal tales band 12 appropriately simple lazy lion african animal tales band 12 2020 05 14 mays lizeth i want to be a lion

lazy lion african animal tales band 12 by mwenye hadithi - Nov 24 2021

web lazy lion african animal tales band 12 by mwenye hadithi year 2 home learning belmont infant school may 18th 2020 lazy lion lives on the hot dusty plains of the

lazy lion african animal tales band 12 pdf stoa - May 11 2023

web this lazy lion african animal tales band 12 pdf as one of the most energetic sellers here will categorically be accompanied by the best options to review handsome hog

african animal tales lazy lion amazon com - Jun 12 2023

web may 3 1990 african animal tales lazy lion paperback picture book may 3 1990 lazy lion orders the animals to build him a house on the african plain the weaver

national senior certificate grade 12 national - Feb 10 2023

web nov 13 2009 physical sciences p1 3 doe november 2009 1 nsc copyright reserved please turn over

doe november 2009 physical science p2 grade12memo pdf - Dec 28 2021

web right here we have countless book doe november 2009 physical science p2 grade12memo pdf and collections to check out we additionally give variant types and furthermore type of the books to browse the within acceptable limits book fiction history novel scientific research as capably as various other sorts of books are readily

a national senior certificate grade 12 physics 101 - Dec 08 2022

web physical sciences p2 10 doe november 2009 1 nsc copyright reserved please turn over

a national senior certificate grade 12 - Jan 09 2023

web physical sciences p2 10 doe november 2009 1 nsc copyright reserved please turn over
download gr 12 question papers and memo s 2008 2014 physical sciences - Apr 12 2023

web physical sciences p1 nov 2014 eng 1 physical sciences p1 nov 2014 memo afr eng 1 physical sciences p2 nov 2014 eng 1
physical sciences p2 nov 2014 memo afr eng 1 physical sciences p1 nov 2013 eng physical sciences p1 nov 2013 memo afr
eng physical sciences p2 nov 2013 eng physical sciences p2 nov

national department of education physical sciences - Jun 14 2023

web physical sciences p2 fisiese wetenskappe v2 4 doe november 2009 nsc nss memorandum copyright reserved kopiereg
voorbehou please turn over blaai om asseblief 3

doe november 2009 physical science p2 grade12memo pdf - Nov 07 2022

web may 9 2023 to download and install the doe november 2009 physical science p2 grade12memo it is unquestionably
simple then since currently we extend the belong to to purchase and create bargains to download and install doe

doe november 2009 physical science p2 grade12memo - Jul 03 2022

web doe november 2009 physical science p2 grade12memo doe november 2009 physical science p2 grade12memo national
senior certificate grade 12 smartlearner thutong south african education portal thutong doe gov za a national senior
certificate grade 12 curriculum past exam papers for grade 12 physical

[national senior certificate grade 12](#) - Mar 11 2023

web 1 2 the stage in a reversible reaction when the rate of the forward reaction equals the rate of the reverse reaction 1 1 3
the reactant which undergoes an increase in oxidation number during a

doe november 2009 physical science p2 grade12memo pdf - Oct 06 2022

web doe november 2009 physical science p2 grade12memo is simple in our digital library an online right of entry to it is set
as public therefore you can download it instantly our digital library saves in complex countries allowing you to acquire the
most less latency epoch to download any of our books when this one

doe november 2009 physical science p2 grade12memo - Mar 31 2022

web jun 20 2023 doe november 2009 physical science p2 grade12memo or get it as soon as achievable it will hugely ease
you to see handbook doe november 2009 physical science p2 grade12memo as you such as just mentioned the doe november
2009 physical science p2 grade12memo is commonly consistent

doe november 2009 physical science p2 grade12memo pdf - Jun 02 2022

web the declaration doe november 2009 physical science p2 grade12memo pdf that you are looking for it will completely
squander the time however below afterward you visit this web page it will be so utterly easy to acquire as with ease as
download guide doe november 2009 physical science p2 grade12memo pdf it will not endure many period as we

[grade 12 physics chemistry past papers memos 2009](#) - Jul 15 2023

web jul 29 2021 grade 12 physics chemistry past papers memos 2009 a list of past papers with their respective

memorandums made easy for students that are striving to do their very best in grade 12 go ahead and click on the following link s below in order to download the required grade 12 physics chemistry past papers memos

[doe november 2009 physical science p2 grade12memo test - Jan 29 2022](#)

web jul 1 2023 tutorial doe november 2009 physical science p2 grade12memo as you such as we settle for you this appropriate as expertly as straightforward arrogance to get those all read the doe november 2009 physical science p2 grade12memo join that we have the funding for here and check out the link

[doe november 2009 physical science p2 grade12memo - May 01 2022](#)

web doe november 2009 physical science p2 grade12memo is available in our book collection an online access to it is set as public so you can get it instantly our book servers spans in multiple countries allowing you to get the most less latency time to download any of our books like this one

[doe november 2009 physical science p2 grade12memo pdf - Feb 27 2022](#)

web may 28 2023 doe november 2009 physical science p2 grade12memo 1 5 downloaded from uniport edu ng on may 28 2023 by guest doe november 2009 physical science p2 grade12memo this is likewise one of the factors by obtaining the soft documents of this doe november 2009 physical science p2 grade12memo by online

grade 12 2009 physical science papers dragonfly exam papers - May 13 2023

web nov 2009 physical sciences p2 1 memo eng afr download nov 2009 physical sciences p2 1 eng download nov 2009 physical science p1 1 eng download nov 2009 physical science p1 1 afr download nov 2009 physical sciences p21 afr download side menu home free past exam papers 2009 exam papers 2010 exam

[national senior certificate grade 12 national - Sep 05 2022](#)

web dec 9 2009 title microsoft word life sciences p2 nov 2009 memo eng final 2 doc author nsc83 created date 12 9 2009 2 29 36 pm

doe november 2009 physical science p2 grade12memo - Aug 04 2022

web doe november 2009 physical science p2 grade12memo physical sciences p2 memo eng amp afr nov 2008 physical science p1 november 2009 eng capacitor force physical science p2 memo pdf download kitchenideass com national senior certificate grade 12 gr 12 physical sciences exam question papers

doe november 2009 physical science p2 grade12memo pdf - Aug 16 2023

web jul 14 2023 guide doe november 2009 physical science p2 grade12memo as you such as by searching the title publisher or authors of guide you in reality want you can discover them rapidly in the house workplace or perhaps in your method can be all best area within net connections if you object to download and install the doe november 2009 physical