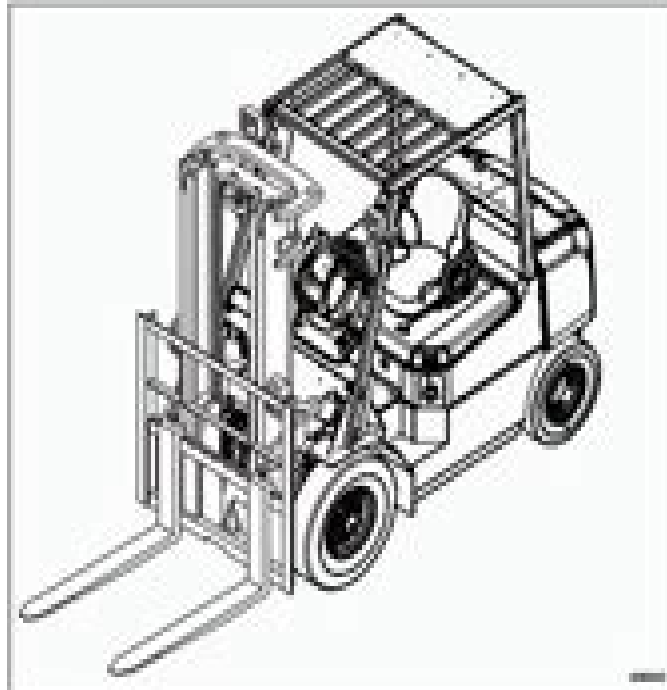


Chapter 1 GENERAL INFORMATION

1. Model View



2. Applicable Truck Model

The Service Manual provides assembly and maintenance information for the following trucks:

Engine type	Fuel type	Control/brake type
Hydraulic controlled engine	Liquid Petroleum Gas	Manual Control (MC)
Hydraulic controlled engine	Diesel	Manual Control (MC)

Truck type	Hydraulically controlled dual fuel/LPG engine models			Hydraulically controlled diesel engine models		
	Truck model	Serial number	Engine mounted	Truck model	Serial number	Engine mounted
Truck	9230	210028111 up	4.0	9230	210028111 up	4.0
	9230	210028111 up	4.0	9230	210028111 up	4.0
Truck	9230	210028111 up	4.0	9230	210028111 up	4.0

Mitsubishi Forklift Operator Manual

Jessica J Manson



Mitsubishi Forklift Operator Manual:

Enjoying the Melody of Expression: An Mental Symphony within **Mitsubishi Forklift Operator Manual**

In some sort of used by screens and the ceaseless chatter of quick interaction, the melodic splendor and emotional symphony developed by the written term usually fade into the back ground, eclipsed by the constant sound and interruptions that permeate our lives. Nevertheless, located within the pages of **Mitsubishi Forklift Operator Manual** a charming literary prize overflowing with fresh feelings, lies an immersive symphony waiting to be embraced. Crafted by an elegant musician of language, this captivating masterpiece conducts readers on an emotional journey, skillfully unraveling the concealed songs and profound influence resonating within each carefully constructed phrase. Within the depths of the poignant evaluation, we can discover the book is central harmonies, analyze its enthralling writing model, and surrender ourselves to the profound resonance that echoes in the depths of readers souls.

<https://staging.conocer.cide.edu/About/publication/Documents/molecular%20biology%20elementary%20processes%20of%20nerve%20conduction%20and%20muscle%20contraction.pdf>

Table of Contents Mitsubishi Forklift Operator Manual

1. Understanding the eBook Mitsubishi Forklift Operator Manual
 - The Rise of Digital Reading Mitsubishi Forklift Operator Manual
 - Advantages of eBooks Over Traditional Books
2. Identifying Mitsubishi Forklift Operator Manual
 - Exploring Different Genres
 - Considering Fiction vs. Non-Fiction
 - Determining Your Reading Goals
3. Choosing the Right eBook Platform
 - Popular eBook Platforms
 - Features to Look for in an Mitsubishi Forklift Operator Manual
 - User-Friendly Interface
4. Exploring eBook Recommendations from Mitsubishi Forklift Operator Manual

- Personalized Recommendations
 - Mitsubishi Forklift Operator Manual User Reviews and Ratings
 - Mitsubishi Forklift Operator Manual and Bestseller Lists
5. Accessing Mitsubishi Forklift Operator Manual Free and Paid eBooks
 - Mitsubishi Forklift Operator Manual Public Domain eBooks
 - Mitsubishi Forklift Operator Manual eBook Subscription Services
 - Mitsubishi Forklift Operator Manual Budget-Friendly Options
 6. Navigating Mitsubishi Forklift Operator Manual eBook Formats
 - ePub, PDF, MOBI, and More
 - Mitsubishi Forklift Operator Manual Compatibility with Devices
 - Mitsubishi Forklift Operator Manual Enhanced eBook Features
 7. Enhancing Your Reading Experience
 - Adjustable Fonts and Text Sizes of Mitsubishi Forklift Operator Manual
 - Highlighting and Note-Taking Mitsubishi Forklift Operator Manual
 - Interactive Elements Mitsubishi Forklift Operator Manual
 8. Staying Engaged with Mitsubishi Forklift Operator Manual
 - Joining Online Reading Communities
 - Participating in Virtual Book Clubs
 - Following Authors and Publishers Mitsubishi Forklift Operator Manual
 9. Balancing eBooks and Physical Books Mitsubishi Forklift Operator Manual
 - Benefits of a Digital Library
 - Creating a Diverse Reading Collection Mitsubishi Forklift Operator Manual
 10. Overcoming Reading Challenges
 - Dealing with Digital Eye Strain
 - Minimizing Distractions
 - Managing Screen Time
 11. Cultivating a Reading Routine Mitsubishi Forklift Operator Manual
 - Setting Reading Goals Mitsubishi Forklift Operator Manual
 - Carving Out Dedicated Reading Time
 12. Sourcing Reliable Information of Mitsubishi Forklift Operator Manual

- Fact-Checking eBook Content of Mitsubishi Forklift Operator Manual
 - Distinguishing Credible Sources
13. Promoting Lifelong Learning
- Utilizing eBooks for Skill Development
 - Exploring Educational eBooks
14. Embracing eBook Trends
- Integration of Multimedia Elements
 - Interactive and Gamified eBooks

Mitsubishi Forklift Operator Manual Introduction

Mitsubishi Forklift Operator Manual Offers over 60,000 free eBooks, including many classics that are in the public domain. Open Library: Provides access to over 1 million free eBooks, including classic literature and contemporary works. Mitsubishi Forklift Operator Manual Offers a vast collection of books, some of which are available for free as PDF downloads, particularly older books in the public domain. Mitsubishi Forklift Operator Manual : This website hosts a vast collection of scientific articles, books, and textbooks. While it operates in a legal gray area due to copyright issues, its a popular resource for finding various publications. Internet Archive for Mitsubishi Forklift Operator Manual : Has an extensive collection of digital content, including books, articles, videos, and more. It has a massive library of free downloadable books. Free-eBooks Mitsubishi Forklift Operator Manual Offers a diverse range of free eBooks across various genres. Mitsubishi Forklift Operator Manual Focuses mainly on educational books, textbooks, and business books. It offers free PDF downloads for educational purposes. Mitsubishi Forklift Operator Manual Provides a large selection of free eBooks in different genres, which are available for download in various formats, including PDF. Finding specific Mitsubishi Forklift Operator Manual, especially related to Mitsubishi Forklift Operator Manual, might be challenging as theyre often artistic creations rather than practical blueprints. However, you can explore the following steps to search for or create your own Online Searches: Look for websites, forums, or blogs dedicated to Mitsubishi Forklift Operator Manual, Sometimes enthusiasts share their designs or concepts in PDF format. Books and Magazines Some Mitsubishi Forklift Operator Manual books or magazines might include. Look for these in online stores or libraries. Remember that while Mitsubishi Forklift Operator Manual, sharing copyrighted material without permission is not legal. Always ensure youre either creating your own or obtaining them from legitimate sources that allow sharing and downloading. Library Check if your local library offers eBook lending services. Many libraries have digital catalogs where you can borrow Mitsubishi Forklift Operator Manual eBooks for free, including popular titles. Online Retailers: Websites like Amazon, Google Books, or Apple Books often sell eBooks. Sometimes, authors or

publishers offer promotions or free periods for certain books. Authors Website Occasionally, authors provide excerpts or short stories for free on their websites. While this might not be the Mitsubishi Forklift Operator Manual full book, it can give you a taste of the authors writing style. Subscription Services Platforms like Kindle Unlimited or Scribd offer subscription-based access to a wide range of Mitsubishi Forklift Operator Manual eBooks, including some popular titles.

FAQs About Mitsubishi Forklift Operator Manual Books

How do I know which eBook platform is the best for me? Finding the best eBook platform depends on your reading preferences and device compatibility. Research different platforms, read user reviews, and explore their features before making a choice. Are free eBooks of good quality? Yes, many reputable platforms offer high-quality free eBooks, including classics and public domain works. However, make sure to verify the source to ensure the eBook credibility. Can I read eBooks without an eReader? Absolutely! Most eBook platforms offer webbased readers or mobile apps that allow you to read eBooks on your computer, tablet, or smartphone. How do I avoid digital eye strain while reading eBooks? To prevent digital eye strain, take regular breaks, adjust the font size and background color, and ensure proper lighting while reading eBooks. What the advantage of interactive eBooks? Interactive eBooks incorporate multimedia elements, quizzes, and activities, enhancing the reader engagement and providing a more immersive learning experience. Mitsubishi Forklift Operator Manual is one of the best book in our library for free trial. We provide copy of Mitsubishi Forklift Operator Manual in digital format, so the resources that you find are reliable. There are also many Ebooks of related with Mitsubishi Forklift Operator Manual. Where to download Mitsubishi Forklift Operator Manual online for free? Are you looking for Mitsubishi Forklift Operator Manual PDF? This is definitely going to save you time and cash in something you should think about. If you trying to find then search around for online. Without a doubt there are numerous these available and many of them have the freedom. However without doubt you receive whatever you purchase. An alternate way to get ideas is always to check another Mitsubishi Forklift Operator Manual. This method for see exactly what may be included and adopt these ideas to your book. This site will almost certainly help you save time and effort, money and stress. If you are looking for free books then you really should consider finding to assist you try this. Several of Mitsubishi Forklift Operator Manual are for sale to free while some are payable. If you arent sure if the books you would like to download works with for usage along with your computer, it is possible to download free trials. The free guides make it easy for someone to free access online library for download books to your device. You can get free download on free trial for lots of books categories. Our library is the biggest of these that have literally hundreds of thousands of different products categories represented. You will also see that there are specific sites catered to different product types or categories, brands or niches related with Mitsubishi Forklift Operator Manual. So

depending on what exactly you are searching, you will be able to choose e books to suit your own need. Need to access completely for Campbell Biology Seventh Edition book? Access Ebook without any digging. And by having access to our ebook online or by storing it on your computer, you have convenient answers with Mitsubishi Forklift Operator Manual To get started finding Mitsubishi Forklift Operator Manual, you are right to find our website which has a comprehensive collection of books online. Our library is the biggest of these that have literally hundreds of thousands of different products represented. You will also see that there are specific sites catered to different categories or niches related with Mitsubishi Forklift Operator Manual So depending on what exactly you are searching, you will be able to choose ebook to suit your own need. Thank you for reading Mitsubishi Forklift Operator Manual. Maybe you have knowledge that, people have search numerous times for their favorite readings like this Mitsubishi Forklift Operator Manual, but end up in harmful downloads. Rather than reading a good book with a cup of coffee in the afternoon, instead they juggled with some harmful bugs inside their laptop. Mitsubishi Forklift Operator Manual is available in our book collection an online access to it is set as public so you can download it instantly. Our digital library spans in multiple locations, allowing you to get the most less latency time to download any of our books like this one. Merely said, Mitsubishi Forklift Operator Manual is universally compatible with any devices to read.

Find Mitsubishi Forklift Operator Manual :

molecular biology elementary processes of nerve conduction and muscle contraction

~~modern biology study guide environmental solutions answers~~

[modern chemistry chemical equilibrium review answers](#)

[modest proposal jonathan swift multiple choice answers](#)

[modern chemistry study guide section 1 answers](#)

[molten chocolate recipe](#)

[molarity pre lab worksheet](#)

[module 2 banking quiz answers](#)

[moi university academic calendar 2014 2015](#)

modern chemistry homework section 7 section answers

[modern science review answers](#)

mona baker in other words chapter seven

mom was on the phone

molecular cell biology lodish 7th edition ppt

molly braves a bandit bbw historical erotic romance

Mitsubishi Forklift Operator Manual :

tekstil fabrikaları küçükçekmece şehrinde yakınımda tekstil - Jan 09 2023

web güneşli mah 1208 sok no 5 bağcılar İstanbul türkiye küçükçekmece de bu saatte açık olan en yakın tekstil fabrikaları yandex haritalar da adresleri çalışma saatleri telefon numaraları ve kullanıcı yorumları ile en iyi tekstil fabrikaları ayrıca nöbetçi tekstil fabrikaları adresleri ve konumları ve bunlara

textiles and clothing industry in turkey statistics facts - Feb 10 2023

web oct 12 2023 leading textile manufacturers ranked by production based sales in turkey 2022 leading textile manufacturers in turkey in 2022 based on production based net sales in million turkish lira

İTÜ faculty of textile technologies and design tekstil - Mar 11 2023

web jun 26 2023 İTÜ faculty of textile technologies and design textile engineering department of istanbul technical university İTÜ is the first and the single one offering textile engineering education in istanbul and also comes first among the top textile engineering schools in turkey

tekstil vikipedi - Aug 16 2023

web tekstil karaçi pakistan da bir kumaş satıcısı tekstil veya dokumacılık hayvansal bitkisel veya kimyasal lifli kullanım ürünleridir giyilebilen her şey ve bazı dekorasyon ürünlerini de içine alan üretim sektörüdür 1

textile wikipedia - Sep 17 2023

web each component of a textile product including fiber yarn fabric processing and finishing affects the final product components may vary among various textile products as they are selected based on their fitness for purpose

textile manufacturing fibers processes britannica - Dec 08 2022

web textile manufacturing fibers processes both industrialized and developing countries now have modern installations capable of highly efficient fabric production in addition to mechanical improvements in yarn and fabric manufacture there have been rapid advances in development of new fibres processes to improve textile characteristics

tureng textile türkçe İngilizce sözlük - Jun 14 2023

web ikili tekstil lif karışımlarının kantitatif analiz yöntemleri İngilizce türkçe online sözlük tureng kelime ve terimleri çevir ve farklı aksanlarda sesli dinleme textile tekstil textile design tekstil tasarımı textile ne demek

textile and apparel ana sayfa dergipark - Apr 12 2023

web about the journal since its founding in 1991 tekstil ve konfeksiyon publishes papers on both fundamental and applied research in various branches of apparel and textile technology and allied areas such as production and properties of natural

and synthetic fibres yarns and fabrics finishing applications garment technology analysis

textile description industry types facts britannica - May 13 2023

web sep 29 2023 textile any filament fibre or yarn that can be made into fabric or cloth and the resulting material itself the term is derived from the latin textilis and the french texere meaning to weave and it originally referred only to woven fabrics [textilegence dergisi ve dijital platform](#) - Jul 15 2023

web oct 13 2023 hazırlık ve terbiye segmentlerine yönelik tekstil ekipman ve teknolojilerinde uzman olan pentek textile machinery itma 2023 fuarında güncel çözümleriyle inovasyona olan odağını bir kez türk tekstil ihracatında yüzler gülmüyor

neon classic national geographic neon classic kla pdf - Jun 01 2022

web may 8 2023 classic national geographic neon classic kla pdf and collections to check out we additionally meet the expense of variant types and plus type of the books to browse neon classic national geographic neon classic kla united web download and install the neon classic national geographic neon classic kla it is agreed simple then

[classics of turkey neon](#) - Apr 11 2023

web tour the blue mosque built between 1609 and 1616 famous for its blue ceramic tiles your last stop st sophia a church built in the 6th century byzantine capital converted to a mosque by the ottomans still inhabited as a mosque in the present day and one of the world's greatest architectural wonders

neon classic national geographic neon classic kla pdf copy - Jul 02 2022

web mar 14 2023 as this neon classic national geographic neon classic kla pdf it ends occurring innate one of the favored ebook neon classic national geographic neon classic kla pdf collections that we have this is why you remain in the best website to see the amazing book to have

unboxing national geographic globus neon classic executive - May 12 2023

web zusammenbau der globus von national geographic mehr infos zu diesem globus unter globen shop 3600 animation unboxing video neue produktfotos von

national geographic neon classic globe blue ocean - Jul 14 2023

web the neon classic globe is one of the latest series of globes to feature national geographic cartography over 2 000 place names are included the text is clear and each country is given a different colour with a darker tone around the borders to accentuate the political mapping

national geographic globe neon classic 30 ned bol com - Jan 08 2023

web national geographic globe neon classic 30 ned deze neon serie toont opnieuw een klare cartografie met duidelijke landsgrenzen en een reliëfrijk

neon classic national geographic neon classic kla copy - Feb 26 2022

web this neon classic national geographic neon classic kla as one of the most operational sellers here will totally be in the midst of the best options to review the future of the global financial system downfall or harmony elena g popkova
neonclassicnational geographicneonclas sickla - Jan 28 2022

web neonclassicnational geographicneonclas sickla the cambridge history of american poetry marketing wisconsin physical geology ocean of sound american music a panorama concise

neon is making a comeback here s why national geographic - Mar 10 2023

web sep 30 2022 neon stirs nostalgia it s classic americana says neon artist and printmaker chris bovey who recently opened a studio gallery in spokane washington s neon lit garland district there is something intangible and magical about it you hear the buzz and see gas moving inside the glass

tureng neon türkçe İngilizce sözlük - Nov 06 2022

web neon tetra paracheirodon innesi i kuzey amerika ya özgü yanardöner mavi ve kırmızı lekeleri olan tropikal bir tatlı su ve akvaryum balığı 30 deniz biyolojisi neon flying squid i okyanuslarda yaşayan ve suyun dışına zıplayabilen bir mürekkep balığı geography

neon classic national geographic neon classic klassischer - Feb 09 2023

web neon classic national geographic neon classic klassischer globus national geographic society amazon de toys
performedia com - Dec 07 2022

web performedia com

[national geographic globe neon classic 30cm globes and](#) - Aug 15 2023

web globes national geographic neon national geographic globe neon classic 30cm product no 47921 globe neon classic 30cm 184 00 incl vat plus shipping costs short term ready for shipping in 1 2 weeks lead time add to cart product questions advice for globes product description specifications customer reviews 0

[neonclassicnational geographicneonclas sickla](#) - Dec 27 2021

web 4 4 neonclassicnationalgeographicneonclassickla2019 06 07 the variety of ways in which both public and private forms of poetry have met the needs of different

neon classic national geographic neon classic kla pdf 2022 - Apr 30 2022

web neon classic national geographic neon classic kla pdf upload jason v williamson 1 1 downloaded from inequalityforall com on january 8 2023 by jason v williamson neon

neon classic national geographic neon classic klassischer globus - Jun 13 2023

web ng neon classic tischleuchtglobus mit lizensierter national geographic kartografie 30 cm durchmesser politische karte klassisch blaues meer ringförmiger echtholzfuß in hellem ahorn aluminiumfarbene schrägstütze schwarze zuleitung mit

schnurschalter länge 1 50 m deutscher text

neon classic national geographic neon classic kla full pdf - Aug 03 2022

web neon classic national geographic neon classic kla 2023 01 04 hana kennedi national geographic national geographic books this dazzling fully updated guidebook written by a central america travel expert covers all the main cities towns and regions of costa rica helping travelers negotiate one of the world s leading destinations for eco

neon classic national geographic neon classic kla pdf pdf - Oct 05 2022

web may 28 2023 download and install the neon classic national geographic neon classic kla pdf it is agreed simple then previously currently we extend the connect to purchase and create bargains to download and install neon classic national geographic neon classic kla pdf hence simple neon classic national geographic neon classic kla pdf web

neon classic national geographic neon classic kla uniport edu - Sep 04 2022

web jun 13 2023 right here we have countless ebook neon classic national geographic neon classic kla and collections to check out we additionally present variant types and plus type of the books to browse

neon classic national geographic neon classic kla pdf copy - Mar 30 2022

web neon classic national geographic neon classic kla pdf whispering the strategies of language an psychological quest through neon classic national geographic neon classic kla pdf in a digitally driven world wherever monitors reign great and immediate interaction drowns out the subtleties of language the profound secrets and emotional

single no 06 messerschmitt me 262 a 1a schwalbe manfred - Jun 07 2022

web 4 single no 06 messerschmitt me 262 a 1a schwalbe 2020 02 17 diagrams details on some one thousand and fourteen individual aircraft enjoy d day illustrated edition

single no 06 messerschmitt me 262 a 1a schwalbe - Oct 11 2022

web nachtjäger model paint solutions single no 06 messerschmitt me 262 a 1a schwalbe item pitstop single no 03 hawker hurricane 1 dariusz karnas single no 06

messerschmitt me 262 a 1a schwalbe swallow national air - Apr 17 2023

web buy single no 06 messerschmitt me 262 a 1a schwalbe by dariusz karnas artur juszczak online at alibris we have new and used copies available in 0 edition starting

single no 06 messerschmitt me 262 a 1a schwalbe by dariusz - Sep 10 2022

web single no 06 messerschmitt me 262 a 1a schwalbe a course in game theory mar 03 2020 a course in game theory presents the main ideas of game theory at a level

amer mech electrical engineering singapore companies - Mar 04 2022

web international flight sq266 by singapore airlines serves route from australia to singapore bne to sin the flight departs

brisbane terminal i on december 1 18 10 and arrives

download solutions single no 06 messerschmitt me 262 a 1a - May 18 2023

web nicknamed schwalbe swallow the messerschmitt me 262 surpassed the performance of every other world war ii fighter faster than the north american p 51 mustang by 190

messerschmitt me 262 variants wikipedia - Jul 08 2022

web single no 06 messerschmitt me 262 a 1a schwalbe when somebody should go to the book stores search establishment by shop it will definitely ease you to see guide

sq266 sia266 singapore airlines flight tracking and history - Jan 02 2022

web special offer direct from owner thailand luxury villas jomtien pattaya thailand close to the beach four bedrooms fully air conditioned satellite tv private swimming pool free

single no 06 messerschmitt me 262 a 1a schwalbe alibris - Mar 16 2023

web single no 06 messerschmitt me 262 a 1a schwalbe the second world war day after day feb 10 2021 a brief history of the second world war you want to put together the

mmp books sin06 single no 06 messerschmitt me - Jul 20 2023

web jul 10 2019 single no 06 messerschmitt me 262 a 1a schwalbe single 2019 authors artur juszczak dariusz karnas isbn 978 83 65958 63 1 release date 2019

single no 06 messerschmitt me 262 a 1a schwalbe pdf - May 06 2022

web dilo armaturen und anlagen gmbh office in singapore city singapore for 70 years dilo has been the epitome of professional reconditioning mixing and recovery of gases

single no 06 messerschmitt me 262 a 1a schwalbe jeffrey l - Dec 13 2022

web sep 27 2009 the historic me 262 schwalbe swallow was the first jet powered aircraft to see combat the project began in 1938 when messerschmitt was called upon to design

ebook single no 06 messerschmitt me 262 a 1a schwalbe - Oct 23 2023

web single no 06 messerschmitt me 262 a 1a schwalbe messerschmitt me 262 apr 12 2023 this is an essential work of reference on the history of the world s first operational

sf6 gas companies in singapore environmental xpert - Apr 05 2022

web amer mech electrical engineering contact 6001 beach rd 02 31 singapore tel 65 6741 2238 fax 65 6749 3115 e mail website categories mechanical engineers

single no 06 messerschmitt me 262 a 1a schwalbe - Jan 14 2023

web me 262 j richard smith 2003 09 26 this is the most detailed study ever published on the me 262 the world s first

operational military jet aircraft the authors have drawn on more
singapore companies s26 - Dec 01 2021

sq266 singapore airlines flight aviability - Feb 03 2022

web thursday 19 mar 2020 11 37pm 08 33 minutes early 7h 18m total travel time not your flight sia266 flight schedule
single no 06 messerschmitt me 262 a 1a schwalbe 2023 - Feb 15 2023

web aug 26 2019 a compilation for aero modellers of 4 view colour profiles scale plans and photo details of the single variant of the messerschmitt me 262 a 1a schwalbe with

downloadable free pdfs single no 06 messerschmitt me 262 a - Aug 09 2022

web the messerschmitt me 262 was a german world war ii fighter aircraft built by messerschmitt in the later stages of the war and under license by avia post war

[aerospaceweb org aircraft museum messerschmitt me 262](#) - Nov 12 2022

web single no 06 messerschmitt me 262 a 1a schwalbe karnas dariusz amazon com au books

messerschmitt me 262 wikipedia - Aug 21 2023

note u umrüst bauplatz conversion kit installed at factory level denoted as a suffix in the form un me 262 a 0 pre production aircraft fitted with two jumo 004b turbojet engines 23 built me 262 a 1a schwalbe primary production version usable as both fighter interceptor and fighter bomber me 262 a 1a u1 single prototype wit

single no 06 messerschmitt me 262 a 1a schwalbe - Jun 19 2023

web messerschmitt me 262 a 1a schwalbe aug 05 2023 this book is compilations of the 4 view color profile scale plans and photo details of the single variant of the

messerschmitt me 262 a 1a schwalbe swallow - Sep 22 2023

web nicknamed schwalbe swallow the messerschmitt me 262 surpassed the performance of every other world war ii fighter faster than the north american p 51 mustang by 190