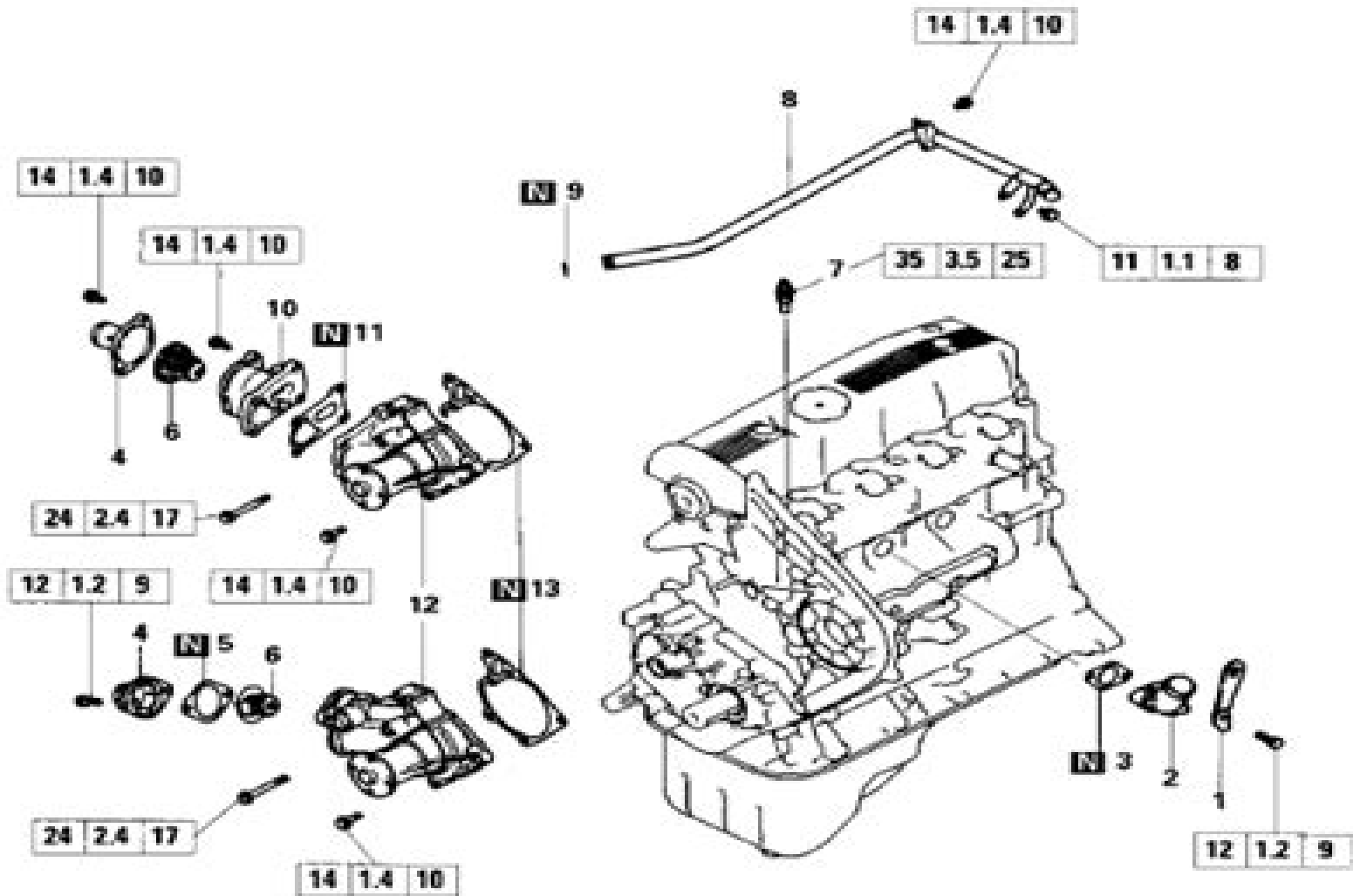


# B. WATER PUMP, THERMOSTAT, HOSE AND PIPE

## REMOVAL AND INSTALLATION



# Mitsubishi 4d56 Diesel Engine Repair Manual

**Michael Brown**



## **Mitsubishi 4d56 Diesel Engine Repair Manual:**

Mitsubishi Pajero Automotive Repair Manual Larry Warren, John Harold Haynes, 2005 Series NL NM NP NS NT with 3 0L 3 5L 3 8L petrol engines and 2 8L 3 2L diesel engines Mitsubishi Engine Workshop Manual, Mitsubishi Pajero Td04 Turbocharger Rebuild Guide and Shop Manual Brian Smothers, 2015-01-08 This shop manual covers the proper disassembly inspection rework assembly and installation of the TD04 turbocharger found on the Mitsubishi Pajero diesel trucks Written by an industry professional this book contains full color photos diagrams torque specs and best practices Repairing your vehicle s turbocharger is easy and cost effective if you know how Includes part numbers 49168 01202 49177 01010 49177 02502 49177 02503 49177 02510 49177 02500 49177 02511 49177 01510 49177 01511 49177 01500 49177 01501 49177 02501 49177 02512 49177 02513 49377 03033 49135 03130 49377 03041 49377 03043 MD017658 MD083538 MD194844 MR355224 MD170563 MD187211 MD106720 MD168054 MD094740 MD168053 MD187208 MD194845 MR355225 ME201635 ME202578 ME201258 ME201258 Mitsubishi Diesel Engine Maintenance Manual, 1981 Covers 4DR5 Dodge Canter trucks and 6DR5 stationery vehicles Mitsubishi Montero Td04 Turbocharger Rebuild Guide and Shop Manual Brian Smothers, 2015-01-08 This shop manual covers the proper disassembly inspection rework assembly and installation of the TD04 turbocharger found on the Mitsubishi Montero diesel trucks Written by an industry professional this book contains full color photos diagrams torque specs and best practices Repairing your vehicle s turbocharger is easy and cost effective if you know how Includes part numbers 49168 01202 49177 01010 49177 02502 49177 02503 49177 02510 49177 02500 49177 02511 49177 01510 49177 01511 49177 01500 49177 01501 49177 02501 49177 02512 49177 02513 49377 03033 49135 03130 49377 03041 49377 03043 MD017658 MD083538 MD194844 MR355224 MD170563 MD187211 MD106720 MD168054 MD094740 MD168053 MD187208 MD194845 MR355225 ME201635 ME202578 ME201258 ME201258 Mitsubishi Eclipse & Eagle Talon Automotive Repair Manual Alan Ahlstrand, John Harold Haynes, 2002-01-01 Inside this manual the reader will learn to do routine maintenance tune up procedures engine repair along with aspects of your car such as cooling and heating air conditioning fuel and exhaust emissions control ignition brakes suspension and steering electrical systems wiring diagrams **Mitsubishi Pajero 2000 to 2010** Editors Ellery Publications, 2009-12-15 Mitsubishi Pajero 2000 to 2010 Petrol Gasoline and Diesel engines including Common Rail and Turbo with World Wide Spec s This manual has over 500 pages It has step by step instructions in every chapter Covering both model produced the Station Wagons and tray models Mitsubishi Pajero Automotive Repair Manual Jeff Killingsworth, John Harold Haynes, 2012-09-01 This is a maintenance and repair manual for the DIY mechanic The book covers the Mitsubishi Pajero 1997 2009 models L Type Diesel Engine Repair Manual Toyota Jidōsha Hanbai Kabushiki Kaisha, 1982 **Mitsubishi Engine and Transmission Workshop Manual** Mitsubishi Jidōsha Kōgyō Kabushiki Kaisha, 1985 Mitsubishi Engine and Transmission Workshop Manual Mitsubishi Jidōsha Kōgyō Kabushiki Kaisha, 1985 Total Car Care Chilton Book Company, 2004-11-01 Professional

technicians count on Chilton you can too Includes coverage of Eagle Talon Mitsubishi Eclipse 1990 98 Mitsubishi Diamante 1992 00 Mitsubishi Eclipse Spyder 1997 98 Mitsubishi Galant Mitsubishi Mirage 1990 00 Mitsubishi Mighty Max Mitsubishi Montero Mitsubishi Pick Up 1983 95 Nissan 240SX Nissan Altima Nissan Maxima 1993 98 Nissan Pathfinder Nissan Pick Up 1989 95 Nissan Pulsar 1983 84 Nissan Pulsar NX 1985 90 Nissan Sentra 1982 96 Plymouth Laser 1990 94 This new repair manual on CD contain authentic Chilton service and repair instructions illustrations and specifications for the vehicles worked on most by Do It Yourself enthusiasts today Chilton Total Car Care CDs give you the confidence to service all the following systems of your own vehicle General Information Maintenance Engine Performance Tune Up Engine Mechanical Overhaul Emission Controls Fuel System Chassis Electrical Drive Train Suspension Steering Brakes Body Trim Troubleshooting Additional vehicles including European models are available by visiting the [www.ChiltonDIY.com](http://www.ChiltonDIY.com) Web site Standard code included with purchase provides users access to information for one vehicle

**4D30 Diesel Engine Shop Manual** Mitsubishi Jidōsha Kōgyō Kabushiki Kaisha,1982 This shop manual contains the specifications construction operation adjustment and service procedures of Model 4D30 diesel engine including the clutch and transmission Foreword

[Mitsubishi Triton Diesel Workshop Manual](#) ,1990      [L Type Diesel Engine Repair Manual](#) ,1980      [Mitsubishi Engine 4G6 Series Workshop Manual](#) ,1992      **Chilton's Mitsubishi Pick-ups & Montero 1983-95 Repair Manual** ,1995

Covers all models of Mighty Max Pick Ups and Montero 2 and 4 wheel drive gasoline and diesel engines      [Chilton's Truck Repair Manual](#) Chilton Book Company. Automotive Editorial Department,1974      **Mitsubishi Triton Engine 4M4 Workshop Manual** ,1995      **Mitsubishi 4G1, 4G3, 4G5, 4G6 Gasoline Engine Workshop Manual** ,1980

This is likewise one of the factors by obtaining the soft documents of this **Mitsubishi 4d56 Diesel Engine Repair Manual** by online. You might not require more times to spend to go to the books opening as competently as search for them. In some cases, you likewise complete not discover the proclamation Mitsubishi 4d56 Diesel Engine Repair Manual that you are looking for. It will very squander the time.

However below, following you visit this web page, it will be appropriately extremely simple to get as well as download guide Mitsubishi 4d56 Diesel Engine Repair Manual

It will not admit many epoch as we notify before. You can attain it even though take steps something else at house and even in your workplace. for that reason easy! So, are you question? Just exercise just what we come up with the money for under as with ease as review **Mitsubishi 4d56 Diesel Engine Repair Manual** what you once to read!

<https://staging.conocer.cide.edu/results/browse/default.aspx/Johnson%2088%20Hp%20Repair%20Manual.pdf>

## **Table of Contents Mitsubishi 4d56 Diesel Engine Repair Manual**

1. Understanding the eBook Mitsubishi 4d56 Diesel Engine Repair Manual
  - The Rise of Digital Reading Mitsubishi 4d56 Diesel Engine Repair Manual
  - Advantages of eBooks Over Traditional Books
2. Identifying Mitsubishi 4d56 Diesel Engine Repair Manual
  - Exploring Different Genres
  - Considering Fiction vs. Non-Fiction
  - Determining Your Reading Goals
3. Choosing the Right eBook Platform
  - Popular eBook Platforms
  - Features to Look for in an Mitsubishi 4d56 Diesel Engine Repair Manual
  - User-Friendly Interface
4. Exploring eBook Recommendations from Mitsubishi 4d56 Diesel Engine Repair Manual

- Personalized Recommendations
  - Mitsubishi 4d56 Diesel Engine Repair Manual User Reviews and Ratings
  - Mitsubishi 4d56 Diesel Engine Repair Manual and Bestseller Lists
5. Accessing Mitsubishi 4d56 Diesel Engine Repair Manual Free and Paid eBooks
    - Mitsubishi 4d56 Diesel Engine Repair Manual Public Domain eBooks
    - Mitsubishi 4d56 Diesel Engine Repair Manual eBook Subscription Services
    - Mitsubishi 4d56 Diesel Engine Repair Manual Budget-Friendly Options
  6. Navigating Mitsubishi 4d56 Diesel Engine Repair Manual eBook Formats
    - ePub, PDF, MOBI, and More
    - Mitsubishi 4d56 Diesel Engine Repair Manual Compatibility with Devices
    - Mitsubishi 4d56 Diesel Engine Repair Manual Enhanced eBook Features
  7. Enhancing Your Reading Experience
    - Adjustable Fonts and Text Sizes of Mitsubishi 4d56 Diesel Engine Repair Manual
    - Highlighting and Note-Taking Mitsubishi 4d56 Diesel Engine Repair Manual
    - Interactive Elements Mitsubishi 4d56 Diesel Engine Repair Manual
  8. Staying Engaged with Mitsubishi 4d56 Diesel Engine Repair Manual
    - Joining Online Reading Communities
    - Participating in Virtual Book Clubs
    - Following Authors and Publishers Mitsubishi 4d56 Diesel Engine Repair Manual
  9. Balancing eBooks and Physical Books Mitsubishi 4d56 Diesel Engine Repair Manual
    - Benefits of a Digital Library
    - Creating a Diverse Reading Collection Mitsubishi 4d56 Diesel Engine Repair Manual
  10. Overcoming Reading Challenges
    - Dealing with Digital Eye Strain
    - Minimizing Distractions
    - Managing Screen Time
  11. Cultivating a Reading Routine Mitsubishi 4d56 Diesel Engine Repair Manual
    - Setting Reading Goals Mitsubishi 4d56 Diesel Engine Repair Manual
    - Carving Out Dedicated Reading Time
  12. Sourcing Reliable Information of Mitsubishi 4d56 Diesel Engine Repair Manual

- Fact-Checking eBook Content of Mitsubishi 4d56 Diesel Engine Repair Manual
  - Distinguishing Credible Sources
13. Promoting Lifelong Learning
- Utilizing eBooks for Skill Development
  - Exploring Educational eBooks
14. Embracing eBook Trends
- Integration of Multimedia Elements
  - Interactive and Gamified eBooks

### **Mitsubishi 4d56 Diesel Engine Repair Manual Introduction**

In the digital age, access to information has become easier than ever before. The ability to download Mitsubishi 4d56 Diesel Engine Repair Manual has revolutionized the way we consume written content. Whether you are a student looking for course material, an avid reader searching for your next favorite book, or a professional seeking research papers, the option to download Mitsubishi 4d56 Diesel Engine Repair Manual has opened up a world of possibilities. Downloading Mitsubishi 4d56 Diesel Engine Repair Manual provides numerous advantages over physical copies of books and documents. Firstly, it is incredibly convenient. Gone are the days of carrying around heavy textbooks or bulky folders filled with papers. With the click of a button, you can gain immediate access to valuable resources on any device. This convenience allows for efficient studying, researching, and reading on the go. Moreover, the cost-effective nature of downloading Mitsubishi 4d56 Diesel Engine Repair Manual has democratized knowledge. Traditional books and academic journals can be expensive, making it difficult for individuals with limited financial resources to access information. By offering free PDF downloads, publishers and authors are enabling a wider audience to benefit from their work. This inclusivity promotes equal opportunities for learning and personal growth. There are numerous websites and platforms where individuals can download Mitsubishi 4d56 Diesel Engine Repair Manual. These websites range from academic databases offering research papers and journals to online libraries with an expansive collection of books from various genres. Many authors and publishers also upload their work to specific websites, granting readers access to their content without any charge. These platforms not only provide access to existing literature but also serve as an excellent platform for undiscovered authors to share their work with the world. However, it is essential to be cautious while downloading Mitsubishi 4d56 Diesel Engine Repair Manual. Some websites may offer pirated or illegally obtained copies of copyrighted material. Engaging in such activities not only violates copyright laws but also undermines the efforts of authors, publishers, and researchers. To ensure ethical downloading, it is advisable to utilize reputable websites that prioritize the legal distribution of content. When downloading Mitsubishi 4d56 Diesel Engine

Repair Manual, users should also consider the potential security risks associated with online platforms. Malicious actors may exploit vulnerabilities in unprotected websites to distribute malware or steal personal information. To protect themselves, individuals should ensure their devices have reliable antivirus software installed and validate the legitimacy of the websites they are downloading from. In conclusion, the ability to download Mitsubishi 4d56 Diesel Engine Repair Manual has transformed the way we access information. With the convenience, cost-effectiveness, and accessibility it offers, free PDF downloads have become a popular choice for students, researchers, and book lovers worldwide. However, it is crucial to engage in ethical downloading practices and prioritize personal security when utilizing online platforms. By doing so, individuals can make the most of the vast array of free PDF resources available and embark on a journey of continuous learning and intellectual growth.

### **FAQs About Mitsubishi 4d56 Diesel Engine Repair Manual Books**

How do I know which eBook platform is the best for me? Finding the best eBook platform depends on your reading preferences and device compatibility. Research different platforms, read user reviews, and explore their features before making a choice. Are free eBooks of good quality? Yes, many reputable platforms offer high-quality free eBooks, including classics and public domain works. However, make sure to verify the source to ensure the eBook credibility. Can I read eBooks without an eReader? Absolutely! Most eBook platforms offer web-based readers or mobile apps that allow you to read eBooks on your computer, tablet, or smartphone. How do I avoid digital eye strain while reading eBooks? To prevent digital eye strain, take regular breaks, adjust the font size and background color, and ensure proper lighting while reading eBooks. What the advantage of interactive eBooks? Interactive eBooks incorporate multimedia elements, quizzes, and activities, enhancing the reader engagement and providing a more immersive learning experience. Mitsubishi 4d56 Diesel Engine Repair Manual is one of the best book in our library for free trial. We provide copy of Mitsubishi 4d56 Diesel Engine Repair Manual in digital format, so the resources that you find are reliable. There are also many Ebooks of related with Mitsubishi 4d56 Diesel Engine Repair Manual. Where to download Mitsubishi 4d56 Diesel Engine Repair Manual online for free? Are you looking for Mitsubishi 4d56 Diesel Engine Repair Manual PDF? This is definitely going to save you time and cash in something you should think about.

### **Find Mitsubishi 4d56 Diesel Engine Repair Manual :**

[johnson 88 hp repair manual](#)



[journal of cancer research and clinical oncology](#)

**joshuas muse fae sutherland**

**joke turkey and lemon recipe**

**joint examination time table for 2015 2016**

[johnson evinrude 85 350hp workshop repair manual](#)

[jonathan strange amp mr norrell susanna clarke](#)

[jomo kenyatta worksheet answers](#)

[johnson seahorse 25 hp outboard owners manual](#)

*johnson gt outboard manual*

[jordan lake fishing report](#)

[journal of political economy submission guidelines](#)

*johnson p7000 user guide*

**jones and shipman 540 grinder manual**

*joining jesus a manual for new believers christian discipleship 101 volume 1*

### **Mitsubishi 4d56 Diesel Engine Repair Manual :**

Volvo penta KAD32P Manuals Manuals and User Guides for Volvo Penta KAD32P. We have 2 Volvo Penta KAD32P manuals available for free PDF download: Workshop Manual ; Table of Contents. 3 ... Workshop Manual are no separate instructions in the Workshop Manual. Certain elementary ... 300 and KAD32 also have a mechanically driven compressor for higher power at ... Volvo Penta KAD TAMD KAMD 31, 32, 41, 42, 43, 44, 300 ... Workshop service manual set for the Volvo Penta engine an invaluable must-have for any boat owner running a Penta engine. With a full 7 volume set of Volvo ... Manuals & Handbooks Your engine. Here you can search for operator manuals, service protocols and other product related information for your Volvo Penta product. Related pages. Volvo-KAD32P-instruction-manual.pdf Always change oil, oil filters and fuel filters at the re- commended intervals. Service and replacement parts. Volvo Penta engines and are designed for maximum. Volvo 30 31 32 Series - workshop manual Hi All , just looking for some help in tracking down a wrkshop manual for Kad 32 or at least a wiring diagram. Any help appreciated thanks ; Reply: mike c ... Volvo Penta type 2001-2002-2003 Workshop Manual This workshop manual contains repair instructions for the 2001, 2002 and 2003 engines. The instructions concerning overhauling describe the most suitable ... Workshop Manual This Workshop Manual contains technical specifica- tions, descriptions and instructions for the repair of the following engines in standard format: 2001, 2002,. Volvo Penta TAMD31P-A KAD32P AD41B TMD41B ... - eBay Volvo Penta TAMD31P-A KAD32P AD41B TMD41B Engine Service Repair Manual

7741725 ; manualbasket (40775) ; Time left. 16h 25m16 hours 25 minutes ; Est. delivery. Mon, ... VZ Commodore Workshop Manual Dec 3, 2020 — This is the Holden factory manual, not a 3rd-party aftermarket manual. Great, this is the real deal as used by service garages. Unzip the zip ... Holden Commodore Workshop Manual 2004 - 2007 VZ ... Download a free pdf Holden Commodore workshop manual / factory service manual / repair manual for cars built between 2004 - 2007. Suit VZ series vehicles. Holden Commodore VT VX VY VZ Workshop Service ... This manual covers all aspects of vehicle repair, maintenance, servicing and rebuild advice for engine, gearbox, axles, suspension, steering, brakes, interior ... 1997 2007 Holden Commodore Workshop Repair Manual ... 1997 2007 Holden Commodore Workshop Repair Manual VT VU VX VY VZ Booklet Book ... Used : This booklet is in used condition. Store · Feedback; Follow us. 1997 ... Holden VT-VX-VY-VU Commodore Workshop Manual | PDF Holden VT-VX-VY-VU Commodore Workshop Manual - Free ebook download as PDF File (.pdf), Text File (.txt) or read book online for free. VZ Holy Grail workshop manual - Page 1 - HSV & Monaro Dec 17, 2018 — But never a Holden /HSV factory manual that covers RHD Aus spec 5.7 and 6.0 VZ models..... until now :-)  
<https://mega.nz/#!Oex2gYyI!> SERVICE MANUAL VZ V8 ENGINE GENUINE NEW GMH SERVICE MANUAL VZ V8 ENGINE GENUINE NEW GMH. SKU: 92193989. Share: Facebook · Twitter · Pinterest · Google+. \$69.95. More info. Holden Commodore (1997 - 2006) Introduction Chapter 1: Tune-up and routine maintenance. Chapter 2A: 3.3L V6 (3MZ-FE) engine. Chapter 2B: 3.5L V6 (2GR-FE) engine Repair Manual Book for Commodore VZ V6 LY7 3.6L 3565cc Looking for a repair manual book to help you maintain or repair your vehicle? Check out our selection of high-quality manuals, including repair manuals, ... Integrated Food Safety and Veterinary Public Health Integrated Food Safety and Veterinary Public Health. 1st Edition. ISBN-13: 978 ... Paperback, 416 pages. ISBN-10, 9780851999081. ISBN-13, 978-0851999081. Item ... Integrated food safety and veterinary public health This textbook covers an integrated approach to this type of food production, hygiene and safety and shows how it results in concurrent benefits to animal well ... Integrated Food Safety and Veterinary ... - Stylus Publishing This textbook covers an integrated approach to this type of food production, hygiene and safety and shows how it results in concurrent benefits to animal well ... INTEGRATED FOOD SAFETY AND VETERINARY PUBLIC ... by S Buncic · Cited by 103 — A catalogue record for this book is available from the British Library,. London, UK. Library of Congress Cataloging-in-Publication Data. Buncic, Sava. Integrated Food Safety and Veterinary Public Health ... This textbook covers an integrated approach to this type of food production, hygiene and safety and shows how it results in concurrent benefits to animal well ... Integrated Food Safety and Veterinary Public Health This textbook covers an integrated approach to this type of food production, hygiene and safety and shows how it results in concurrent benefits to animal well ... Integrated Food Safety and Veterinary Public Health Apr 19, 2018 — This book will be of significant interest to students of veterinary medicine, animal science, environmental health and food science and ... Integrated Food Safety and Veterinary Public Health ... This textbook covers an integrated approach to this type of food production, hygiene and safety and shows how it results in

concurrent benefits to animal well ... Integrated Food Safety and Veterinary Public Health This textbook covers an integrated approach to this type of food production, hygiene and safety and shows how it results in concurrent benefits to animal well ... Integrated Food Safety and Veterinary Public Health Integrated Food Safety and Veterinary Public Health · Selected pages · Contents · Other editions - View all · Common terms and phrases · Bibliographic information ...