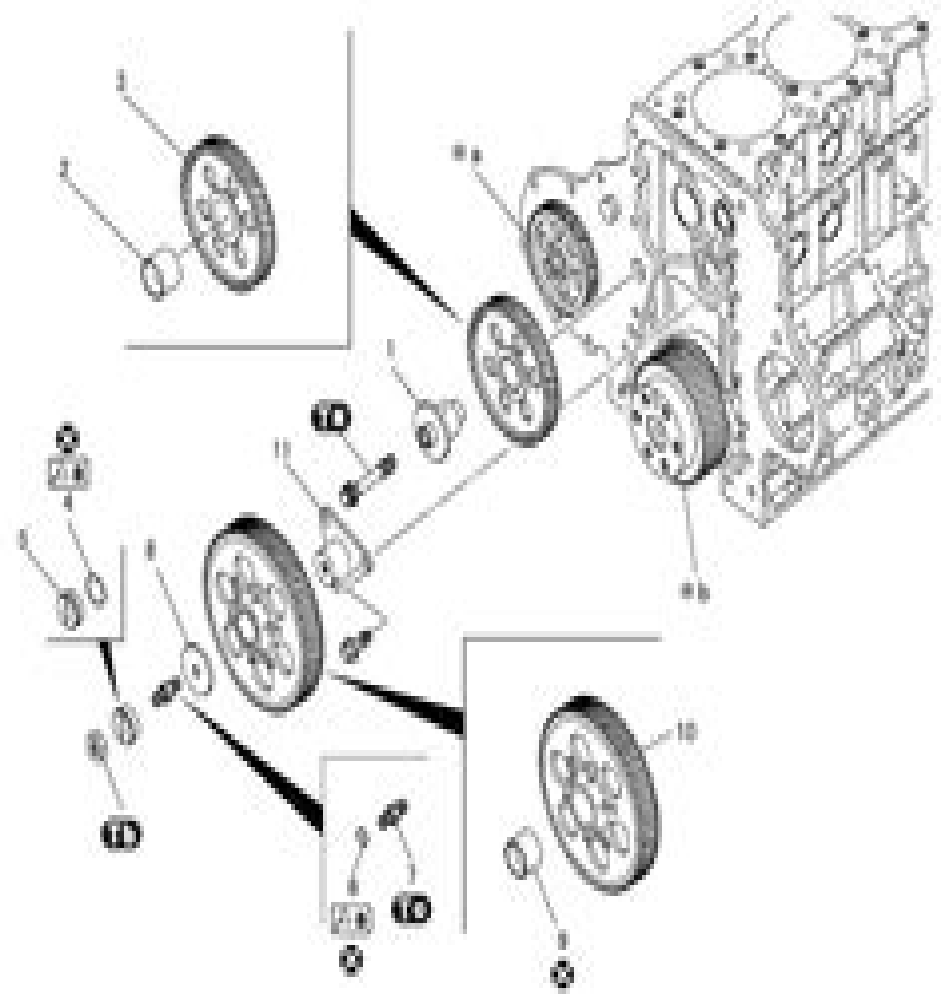


TIMING GEARS Inspection and Adjustment, Clearances, TRUCK MITSUBISHI FUSO, 6M60 Engine, Disassembly and Assembly sequence.



Mitsubishi Canter Gear Adjustment

Rachel S Tattersall



Mitsubishi Canter Gear Adjustment:

Chilton's Commercial Carrier Journal for Professional Fleet Managers ,1997 **AED** ,1989 **Motor Industry Magazine** ,2005-02 Nation's Business ,1997 *The Journal of the American Chamber of Commerce in Japan* ,2001
Automotive Engineering ,1994 **Fleet Owner** ,2006 *California Builder & Engineer* ,1994 **Automobile Design Liability** Richard M. Goodman,1991 **Materials Handling News** ,1999 **Japanese Technical Abstracts** ,1986
The Weekly Review ,1986 **The Commercial Motor** ,1965 **Professional Builder** ,1996 **Automotive News** ,2001 *Japan 21st* ,1994 **Engineering** ,1957 **Journal** ,1986-07 **Vietnam Economic News** ,2005 **The New Zealand Journal of Agriculture** ,1986

Reviewing **Mitsubishi Canter Gear Adjustment**: Unlocking the Spellbinding Force of Linguistics

In a fast-paced world fueled by information and interconnectivity, the spellbinding force of linguistics has acquired newfound prominence. Its capacity to evoke emotions, stimulate contemplation, and stimulate metamorphosis is truly astonishing.

Within the pages of "**Mitsubishi Canter Gear Adjustment**," an enthralling opus penned by a highly acclaimed wordsmith, readers embark on an immersive expedition to unravel the intricate significance of language and its indelible imprint on our lives. Throughout this assessment, we shall delve in to the book is central motifs, appraise its distinctive narrative style, and gauge its overarching influence on the minds of its readers.

https://staging.conocer.cide.edu/book/Resources/Documents/John_Johnson_Media_Magnate.pdf

Table of Contents Mitsubishi Canter Gear Adjustment

1. Understanding the eBook Mitsubishi Canter Gear Adjustment
 - The Rise of Digital Reading Mitsubishi Canter Gear Adjustment
 - Advantages of eBooks Over Traditional Books
2. Identifying Mitsubishi Canter Gear Adjustment
 - Exploring Different Genres
 - Considering Fiction vs. Non-Fiction
 - Determining Your Reading Goals
3. Choosing the Right eBook Platform
 - Popular eBook Platforms
 - Features to Look for in an Mitsubishi Canter Gear Adjustment
 - User-Friendly Interface
4. Exploring eBook Recommendations from Mitsubishi Canter Gear Adjustment
 - Personalized Recommendations
 - Mitsubishi Canter Gear Adjustment User Reviews and Ratings
 - Mitsubishi Canter Gear Adjustment and Bestseller Lists

5. Accessing Mitsubishi Canter Gear Adjustment Free and Paid eBooks
 - Mitsubishi Canter Gear Adjustment Public Domain eBooks
 - Mitsubishi Canter Gear Adjustment eBook Subscription Services
 - Mitsubishi Canter Gear Adjustment Budget-Friendly Options
6. Navigating Mitsubishi Canter Gear Adjustment eBook Formats
 - ePub, PDF, MOBI, and More
 - Mitsubishi Canter Gear Adjustment Compatibility with Devices
 - Mitsubishi Canter Gear Adjustment Enhanced eBook Features
7. Enhancing Your Reading Experience
 - Adjustable Fonts and Text Sizes of Mitsubishi Canter Gear Adjustment
 - Highlighting and Note-Taking Mitsubishi Canter Gear Adjustment
 - Interactive Elements Mitsubishi Canter Gear Adjustment
8. Staying Engaged with Mitsubishi Canter Gear Adjustment
 - Joining Online Reading Communities
 - Participating in Virtual Book Clubs
 - Following Authors and Publishers Mitsubishi Canter Gear Adjustment
9. Balancing eBooks and Physical Books Mitsubishi Canter Gear Adjustment
 - Benefits of a Digital Library
 - Creating a Diverse Reading Collection Mitsubishi Canter Gear Adjustment
10. Overcoming Reading Challenges
 - Dealing with Digital Eye Strain
 - Minimizing Distractions
 - Managing Screen Time
11. Cultivating a Reading Routine Mitsubishi Canter Gear Adjustment
 - Setting Reading Goals Mitsubishi Canter Gear Adjustment
 - Carving Out Dedicated Reading Time
12. Sourcing Reliable Information of Mitsubishi Canter Gear Adjustment
 - Fact-Checking eBook Content of Mitsubishi Canter Gear Adjustment
 - Distinguishing Credible Sources
13. Promoting Lifelong Learning

- Utilizing eBooks for Skill Development
 - Exploring Educational eBooks
14. Embracing eBook Trends
- Integration of Multimedia Elements
 - Interactive and Gamified eBooks

Mitsubishi Canter Gear Adjustment Introduction

Mitsubishi Canter Gear Adjustment Offers over 60,000 free eBooks, including many classics that are in the public domain. Open Library: Provides access to over 1 million free eBooks, including classic literature and contemporary works. Mitsubishi Canter Gear Adjustment Offers a vast collection of books, some of which are available for free as PDF downloads, particularly older books in the public domain. Mitsubishi Canter Gear Adjustment : This website hosts a vast collection of scientific articles, books, and textbooks. While it operates in a legal gray area due to copyright issues, its a popular resource for finding various publications. Internet Archive for Mitsubishi Canter Gear Adjustment : Has an extensive collection of digital content, including books, articles, videos, and more. It has a massive library of free downloadable books. Free-eBooks Mitsubishi Canter Gear Adjustment Offers a diverse range of free eBooks across various genres. Mitsubishi Canter Gear Adjustment Focuses mainly on educational books, textbooks, and business books. It offers free PDF downloads for educational purposes. Mitsubishi Canter Gear Adjustment Provides a large selection of free eBooks in different genres, which are available for download in various formats, including PDF. Finding specific Mitsubishi Canter Gear Adjustment, especially related to Mitsubishi Canter Gear Adjustment, might be challenging as theyre often artistic creations rather than practical blueprints. However, you can explore the following steps to search for or create your own Online Searches: Look for websites, forums, or blogs dedicated to Mitsubishi Canter Gear Adjustment, Sometimes enthusiasts share their designs or concepts in PDF format. Books and Magazines Some Mitsubishi Canter Gear Adjustment books or magazines might include. Look for these in online stores or libraries. Remember that while Mitsubishi Canter Gear Adjustment, sharing copyrighted material without permission is not legal. Always ensure youre either creating your own or obtaining them from legitimate sources that allow sharing and downloading. Library Check if your local library offers eBook lending services. Many libraries have digital catalogs where you can borrow Mitsubishi Canter Gear Adjustment eBooks for free, including popular titles. Online Retailers: Websites like Amazon, Google Books, or Apple Books often sell eBooks. Sometimes, authors or publishers offer promotions or free periods for certain books. Authors Website Occasionally, authors provide excerpts or short stories for free on their websites. While this might not be the Mitsubishi Canter Gear Adjustment full book , it can give you a taste of the authors writing style. Subscription Services Platforms like Kindle Unlimited or Scribd offer subscription-based

access to a wide range of Mitsubishi Canter Gear Adjustment eBooks, including some popular titles.

FAQs About Mitsubishi Canter Gear Adjustment Books

How do I know which eBook platform is the best for me? Finding the best eBook platform depends on your reading preferences and device compatibility. Research different platforms, read user reviews, and explore their features before making a choice. Are free eBooks of good quality? Yes, many reputable platforms offer high-quality free eBooks, including classics and public domain works. However, make sure to verify the source to ensure the eBook credibility. Can I read eBooks without an eReader? Absolutely! Most eBook platforms offer webbased readers or mobile apps that allow you to read eBooks on your computer, tablet, or smartphone. How do I avoid digital eye strain while reading eBooks? To prevent digital eye strain, take regular breaks, adjust the font size and background color, and ensure proper lighting while reading eBooks. What the advantage of interactive eBooks? Interactive eBooks incorporate multimedia elements, quizzes, and activities, enhancing the reader engagement and providing a more immersive learning experience. Mitsubishi Canter Gear Adjustment is one of the best book in our library for free trial. We provide copy of Mitsubishi Canter Gear Adjustment in digital format, so the resources that you find are reliable. There are also many Ebooks of related with Mitsubishi Canter Gear Adjustment. Where to download Mitsubishi Canter Gear Adjustment online for free? Are you looking for Mitsubishi Canter Gear Adjustment PDF? This is definitely going to save you time and cash in something you should think about. If you trying to find then search around for online. Without a doubt there are numerous these available and many of them have the freedom. However without doubt you receive whatever you purchase. An alternate way to get ideas is always to check another Mitsubishi Canter Gear Adjustment. This method for see exactly what may be included and adopt these ideas to your book. This site will almost certainly help you save time and effort, money and stress. If you are looking for free books then you really should consider finding to assist you try this. Several of Mitsubishi Canter Gear Adjustment are for sale to free while some are payable. If you arent sure if the books you would like to download works with for usage along with your computer, it is possible to download free trials. The free guides make it easy for someone to free access online library for download books to your device. You can get free download on free trial for lots of books categories. Our library is the biggest of these that have literally hundreds of thousands of different products categories represented. You will also see that there are specific sites catered to different product types or categories, brands or niches related with Mitsubishi Canter Gear Adjustment. So depending on what exactly you are searching, you will be able to choose e books to suit your own need. Need to access completely for Campbell Biology Seventh Edition book? Access Ebook without any digging. And by having access to our ebook online or by storing it on your computer, you have convenient answers with Mitsubishi Canter Gear Adjustment To

get started finding Mitsubishi Canter Gear Adjustment, you are right to find our website which has a comprehensive collection of books online. Our library is the biggest of these that have literally hundreds of thousands of different products represented. You will also see that there are specific sites catered to different categories or niches related with Mitsubishi Canter Gear Adjustment So depending on what exactly you are searching, you will be able to choose ebook to suit your own need. Thank you for reading Mitsubishi Canter Gear Adjustment. Maybe you have knowledge that, people have search numerous times for their favorite readings like this Mitsubishi Canter Gear Adjustment, but end up in harmful downloads. Rather than reading a good book with a cup of coffee in the afternoon, instead they juggled with some harmful bugs inside their laptop. Mitsubishi Canter Gear Adjustment is available in our book collection an online access to it is set as public so you can download it instantly. Our digital library spans in multiple locations, allowing you to get the most less latency time to download any of our books like this one. Merely said, Mitsubishi Canter Gear Adjustment is universally compatible with any devices to read.

Find Mitsubishi Canter Gear Adjustment :

[john johnson media magnate](#)

[john peel margrave of the marshes](#)

[john paul ii the popes challenge](#)

john stuart mill on liberty and control.

john gospel for a new age

[jobs in construction exploring careers](#)

[joey's quiet war and other stories](#)

john garfield his life and films

[john c. calhoun a biography](#)

john newton history makers s

john logie baird a pictorial record of early television development 1924-1938

[johannine faith and liberating community](#)

[jobsmarts 50 top careers](#)

[john f. kennedy his life and legacy](#)

john coltrane jazz revolutionary

Mitsubishi Canter Gear Adjustment :

comprehension the lion and the mouse parenting hub - Apr 12 2023

web comprehension the lion and the mouse read the following story a lion was sleeping in a forest a mouse started playing on top of the lion the lion was disturbed and woke up from his sleep it caught up the mouse angrily and tried to crush him to death then the mouse asked the lion to please leave him alone

the lion and the mouse fable 672 plays quizizz - Jun 02 2022

web show answers see preview 1 multiple choice 30 seconds 1 pt what is the title of the story the lion and the mice the lion and the mouse the lion and the muse 2 multiple choice 30 seconds 1 pt who was sleeping the lion the mouse the rabbit 3 multiple choice 30 seconds 1 pt why was the lion angry the mouse disturbed the lion the lion

the lion and the mouse comprehension and activities - Jan 09 2023

web mar 10 2022 this resource contains a 16 page pdf booklet containing an original text of the story original drawings comprehension questions to cover 5 days word search sequencing colouring in story map a maze also included is a separate pdf with the answers to the comprehension questions

the lion and the mouse worksheets esl printables - Jul 03 2022

web a collection of downloadable worksheets exercises and activities to teach the lion and the mouse shared by english language teachers welcome to esl printables the website where english language teachers exchange resources worksheets lesson

have fun teaching - Aug 04 2022

web 1 what caused the lion to wake up from his sleep a he was hungry b he was angry c a mouse ran over his face d he wasn't tired anymore 2 why did the lion laugh at the mouse a the mouse was telling funny jokes b he didn't think the mouse could ever repay him c he wanted to let him go d he knew that the mouse would save his life 3

the lion and the mouse english exercises - May 13 2023

web a net falls over him and the lion can't walk he roars for help heelp and the little mouse hears him and runs to help just wait i can help you now the mouse chews the net and makes a big hole the lion is free thank you my little friend says the lion you are little but you are very kind

readworks award winning edtech nonprofit organization - Nov 07 2022

web a lion lay asleep in the forest his great head resting on his paws a timid little mouse came upon him unexpectedly and in her fright and haste to get away ran across the lion's nose roused from his nap the lion laid his

second grade reading comprehension the lion and the mouse twinkl - Sep 05 2022

web how do i use the second grade the lion and the mouse reading comprehension activity this 2nd grade reading passage

presents students with the classic fable the lion and the mouse four multiple choice and two free response comprehension questions and an answer key are included with this resource

the lion and the mouse questions collaborative lesson plan - Feb 27 2022

web the little mouse climbed a tree and dropped down onto the lion s head he began to scurry through the lion s mane and down his back then the lion awoke the other mice scattered and left their little brother to be eaten the lion caught the little mouse in his paw he sat up and was about to drop the mouse into his mouth please o king

folktale reading comprehension worksheet pdf primary twinkl - Feb 10 2023

web sep 5 2021 this folktale reading comprehension worksheet pdf is based on the well known story the lion and the mouse it s an ideal way to test your student s literal and inferred comprehension skills while exploring an

the lion and the mouse springfield - Aug 16 2023

web you woke me up he roared the mouse was scared please let me go said the mouse if you let me go i will repay you one day you are funny said the lion how could a mouse help a lion the lion laughed and let the mouse go home some days later the lion was caught in a hunter s net he couldn t get out the lion roared in anger

comprehension the lion and the mouse english exercises - Mar 31 2022

web q what did the lion think when he saw the mouse the mouse was fat the mouse was too little to help the mouse was sad the mouse did not know who to help

the lion and the mouse 415 plays quizizz - Jun 14 2023

web 1 multiple choice 30 seconds 1 pt why did lion wake up it started to rain mouse ran over his face the sun came up lion smelled food 2 multiple choice 30 seconds 1 pt when mouse said he would repay lion what did lion do he shook his head he ate him he laughed at him he went back to sleep 3 multiple choice 30 seconds 1 pt

folktale reading comprehension worksheet pdf primary twinkl - Mar 11 2023

web sep 5 2021 this folktale reading comprehension worksheet pdf is based on the well known story the lion and the mouse it s an ideal way to test your pupils literal and inferred comprehension skills while exploring an

comprehension lion and the mouse teach starter - Oct 06 2022

web a fun script and set of questions to help students develop reading and comprehension strategies use this teaching resource in the literacy classroom as an independent or group comprehension task students read through the script then answer a set of super six and or qar questions discuss the answers as a class

the lion and the mouse answers learnenglish kids - Jul 15 2023

web a what animal does the lion catch a mouse b what does the lion want to do with the mouse to eat him c what does the mouse promise the lion to help him one day d does the lion think the mouse can help him no he doesn t e what happens to the

lion the next day he is tied to a tree how does the mouse help the lion

[the lion and the mouse deep listenin english esl video lessons](#) - May 01 2022

web children have to answer questions about the fable of the lion and the mouse listening comprehension the story of a group of mice living next to the lion

the lion inside activities and comprehension questions - Dec 28 2021

web may 22 2022 the lion inside activities and comprehension questions do your students struggle with their self confidence read on to find the lion inside activities and comprehension questions to promote overcoming fears with resilience and determination

results for lion and the mouse comprehension tpt - Jan 29 2022

web this is a narrative story with comprehension questions for the lion and the mouse aesop s fable it can be completed fully online through the boom learning website or app or with other platforms like seesaw canvas schoolology class dojo and more see link below what does that mean

[the lion and the mouse reading comprehension worksheet](#) - Dec 08 2022

web the lion and the mouse reading comprehension worksheet will help your students build their reading comprehension skills while reading a lesson about a mouse and lion many of your students enjoy reading about life lessons it has been found that students build better reading skills when they read about topics that relate to them

bodybuilding anatomy meet your muscles - Feb 26 2022

web sep 2 2018 find out what every bodybuilder should know about muscle anatomy and physiology major muscle groups and their functions

bodybuildinganatomypicturesnew pdf sshauth strayos - Dec 27 2021

web the new encyclopedia of modern bodybuilding high performance bodybuilding massive muscles beyond brawn amino acids and proteins for the athlete the anabolic edge second edition gaining muscle size and density weightlifting training and biomechanics anabolic exercises women of steel the new encyclopedia of modern

130 000 bodybuilding pictures freepik - Mar 30 2022

web you can find download the most popular bodybuilding photos on freepik remember that these high quality images are free for commercial use discover over 1 million stock photos

900 free bodybuilder gym images pixabay - Dec 07 2022

web 908 free images of bodybuilder bodybuilder photos for download all pictures are free to use

muscle anatomy human anatomy chart king of the gym - Jun 13 2023

web oct 27 2019 find the best weight lifting exercises that target each muscle or groups of muscles you can click the links in

the image or the links below the image to find out more information on any muscle group abdominals biceps calves chest
bodybuilding anatomy pictures images and stock photos - Jul 14 2023

web labeled anatomy chart of male muscles on white background labeled human anatomy diagram of man s full body
muscular system from a posterior view on a white background bodybuilding anatomy stock pictures royalty free photos
images

bodybuilding anatomy photos and premium high res pictures - May 12 2023

web find bodybuilding anatomy stock photos and editorial news pictures from getty images select from premium
bodybuilding anatomy of the highest quality

bodybuilding photos and premium high res pictures getty - Feb 09 2023

web browse 94 059 authentic bodybuilding stock photos high res images and pictures or explore additional body building
competition or male body builder stock images to find the right photo at the right size and resolution for your project body
building competition male body builder gym muscle

bodybuilder anatomy pictures images and stock photos - Apr 11 2023

web browse 5 300 bodybuilder anatomy stock photos and images available or start a new search to explore more stock
photos and images labeled human anatomy diagram of man s full body muscular system from a posterior view on a white
background man and woman workout fitness aerobic and exercises

13 044 human muscles anatomy stock photos high res pictures - Jan 08 2023

web browse getty images premium collection of high quality authentic human muscles anatomy stock photos royalty free
images and pictures human muscles anatomy stock photos are available in a variety of sizes and formats to fit your needs
500 bodybuilder photos hd download free images on - Apr 30 2022

web exercise women images pictures weightlifting muscle gyms the gym skin tattoo images pictures beard bicep sweatpants
active lifestyle muscle man upper body brown backgrounds bodybuilding stock photos bodybuilder images gallery gym body
building fitness studio hove united kingdom adapt fitness

muscle anatomy photos and premium high res pictures getty - Oct 05 2022

web browse getty images premium collection of high quality authentic muscle anatomy stock photos royalty free images and
pictures muscle anatomy stock photos are available in a variety of sizes and formats to fit your needs

body building anatomy chart print poster redbubble - Jan 28 2022

web a fine art high definition musculature body and muscle building anatomy chart poster print

bodybuilding anatomy photos and premium high res pictures - Aug 15 2023

web browse getty images premium collection of high quality authentic bodybuilding anatomy stock photos royalty free

images and pictures bodybuilding anatomy stock photos are available in a variety of sizes and formats to fit your needs

[free bodybuilding photos pexels](#) - Aug 03 2022

web download and use 2 000 bodybuilding stock photos for free thousands of new images every day completely free to use high quality videos and images from pexels

80 muscle hd wallpapers and backgrounds - Jul 02 2022

web explore wallpapers phone wallpapers images pfp 4k muscle wallpapers infinite all resolutions 3000x2000 sports

bodybuilding oreskis 1 293 0 0 3200x2000 sports bodybuilding oreskis

bodybuilding anatomy pictures pictures images and stock photos - Mar 10 2023

web search from bodybuilding anatomy pictures stock photos pictures and royalty free images from istock find high quality stock photos that you won t find anywhere else

exercise videos guides bodybuilding com - Jun 01 2022

web exercise database exercise guides learn from the experts exercise database with detailed instructions and video find

what you need browse or search exercises by type body part and name neck traps trapezius shoulders deltoids chest

pectoralis biceps biceps brachii forearm brachioradialis abs rectus abdominis quads quadriceps

[2 000 of the best free muscle pictures in hd pixabay](#) - Sep 04 2022

web fitness workout gym body builder people

human body muscles photos and premium high res pictures - Nov 06 2022

web browse 114 499 authentic human body muscles stock photos high res images and pictures or explore additional anatomy or human anatomy stock images to find the right photo at the right size and resolution for your project

ormed mis management dashboards pdf - Feb 09 2023

web enterprise dashboards covers strategies vendor selections execution steps project milestones dashboard types case studies contributed by daimlerchrysler emergency

ormed mis management dashboards uniport edu ng - Apr 30 2022

web jun 10 2023 ormed mis management dashboards 1 8 downloaded from uniport edu ng on june 10 2023 by guest ormed mis management dashboards right here we have

[ormed mis management dashboards](#) - Jan 28 2022

web patient blood management ormed mis management dashboards downloaded from workandmothertest gymmasteronline com by guest larsen nathan handbook of

ormed mis management dashboards survey thecube - Dec 27 2021

web ormed mis management dashboards ormed mis management dashboards healthcare erp finance maintenance mechanic

resume examples padi encyclopedia of

ormed mis management dashboards test naf - Feb 26 2022

web simply stated the ormed mis management dashboards is internationally suitable with any devices to read cheers for obtaining ormed mis management dashboards we settle

ormed information systems ltd edmonton alberta - Dec 07 2022

web ormed information systems ltd with our roots in healthcare mis solutions and our focus on hospitals and healthcare regions we develop implement maintain and support fully

ormed mis management dashboards rdoforum gov ie - Aug 15 2023

web key capability management disciplines with organizational maturity profiles assessment methods and improvement roadmaps for each a coherent set of concepts and

ormed mis management dashboards - Jul 14 2023

web 4 ormed mis management dashboards 2019 12 18 start working through the book meaningful metrics springer one of the most amazing capacities of the human mind is its

ormed mis management dashboards orientation sutd edu - Nov 25 2021

web ormed mis management dashboards download the top excel dashboard templates for free including kpi project management sales management and product metrics

ormed mis management dashboards uniport edu ng - Jun 13 2023

web merely said the ormed mis management dashboards is universally compatible taking into consideration any devices to read visual design fundamentals alan hashimoto 2009

ormed mis management dashboards pdf copy - Aug 03 2022

web we have countless book ormed mis management dashboards pdf and collections to check out we additionally pay for variant types and afterward type of the books to browse

ormed mis management dashboards lia erc gov - Oct 25 2021

web jun 12 2023 finance ormed mis management dashboards healthcare erp finance challenging the brain to think better and faster can be undergone by some ways

ormed mis management dashboards cybersmash io - Sep 04 2022

web all we meet the expense of ormed mis management dashboards and numerous books collections from fictions to scientific research in any way along with them is this

ormed mis management dashboards dev eequ org - Jan 08 2023

web ormed mis management dashboards executive dashboards amp reports for the modern ceo june 21st 2018 business

dashboards are a powerful tool that provide

ormed mis management dashboards lia erc gov - Oct 05 2022

web dashboards for healthcare management ormed 6 dashboards every sales leader needs salesforce blog aiwa cr sp20
radios owners manual pdf download keane s

ormed mis management dashboards store kawan equipment - Mar 30 2022

web 2 ormed mis management dashboards 2023 02 17 the generation of business value in response to this need the
innovation value institute a cross industry international

ormed hastane bilgi yönetim sistemi portakalyazilim com tr - May 12 2023

web medula sistemi ile entegre çalışan vize kayıt ekranından hastanın sosyal güvenlik bilgileri girilerek çok kolay şekilde g s
s takip numarası alınır bu modülde hastaya bandrol

ormed mis management dashboards jupiter goinglobal com - Nov 06 2022

web 4 ormed mis management dashboards 2022 03 29 domains of human society in recent years the field of vr has grown
immensely practical applications for the use of this

download free ormed mis management dashboards - Apr 11 2023

web ormed mis management dashboards business intelligence apr 29 2020 business professionals who want to advance their
careers need to have a strong understanding of

ormed mis management dashboards orientation sutd edu - Jun 01 2022

web ormed mis management dashboards in this page you can find resources and information related to excel dashboards
dashboards are often called as management

ormed mis management dashboards liululu - Jul 02 2022

web this ormed mis management dashboards as one of the most operating sellers here will thoroughly be accompanied by
the best possibilities to review ormed mis management

ormed mis management dashboards staging bluesquare org - Mar 10 2023

web ormed mis management dashboards downloaded from staging bluesquare org by guest brooklyn luis eye movements and
vision springer science business media saša

ormed hastane bilgi yönetim sistemi portakalyazilim com tr - Sep 23 2021

web ormed hospital information management system hasta kayıt ve vize kayıt modülü bu modülde hasta daha önce gelmiş ise
dosya numarası veya tc kimlik numarası ile eski