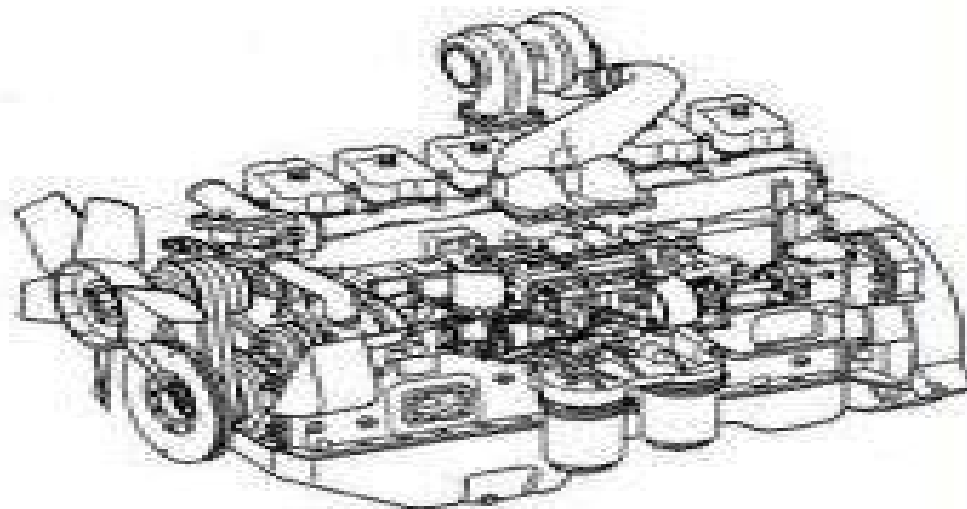
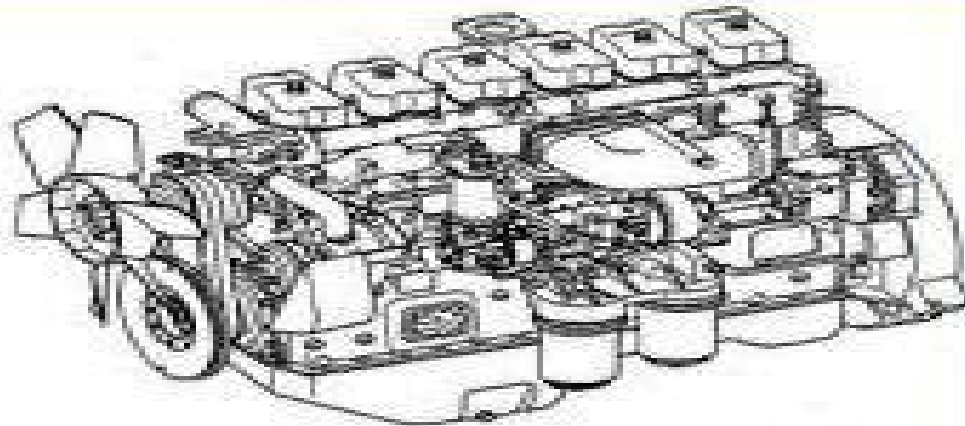




# Mitsubishi 6D24



**Workshop Manual**

# Mitsubishi 6d24 Manual

**S Baum**



## **Mitsubishi 6d24 Manual:**

**Shop Manual Diesel Engine 6D2 '97** ,1997 This shop manual is published for the information and guidance of personnel responsible for maintenance of Mitsubishi 6D2 series diesel engine and includes procedures for adjustment and maintenance services Applicable models are 6D24 Pub no TWJE9705 [Mitsubishi Engine and Transmission Workshop Manual](#) Mitsubishi Jidōsha Kōgyō Kabushiki Kaisha,1985 *Mitsubishi Triton Diesel Workshop Manual* ,1990

**Mitsubishi Engine and Transmission Workshop Manual** Mitsubishi Jidōsha Kōgyō Kabushiki Kaisha,1985

**Mitsubishi Engine Workshop Manual** , **Mitsubishi Engine 4G6 Series Workshop Manual** ,1992 [Mitsubishi Triton General Workshop Manual](#) ,1994 [Mitsubishi Triton Engine 6G7 Series Workshop Manual](#) ,1990 *Mitsubishi ME Series Utility* ,1986 *Mitsubishi Pajero Rear Wheel Drive Manual Transmission Workshop Manual* ,1989 **Mitsubishi Engine Electrical Workshop Manual** ,1990 *Mitsubishi SF Series Express & Starwagon Workshop Manual* ,1986 Mitsubishi SF series Express Starwagon workshop manual Mitsubishi engine and transmission workshop manual

**Mitsubishi Models MT160 MT160D+** Penton Staff,2000-05-24 Diesel Models MT160 MT160D MT180 MT180D MT180H MT180HD MT210 MT210D MT250 MT250D MT300 MT300D **Mitsubishi Triton Rear Wheel Drive**

**Automatic Transmission Workshop Manual** Mitsubishi Jidōsha Kōgyō Kabushiki Kaisha,1989 *4G1, 4G3, 4G5 Workshop Manual, Engine* ,1978 [Mitsubishi Galant Workshop Manual](#) Mitsubishi Jidōsha Kōgyō Kabushiki Kaisha,1987

[Mitsubishi 4G1, 4G3, 4G5, 4G6 Gasoline Engine Workshop Manual](#) ,1980 **Mitsubishi Jeep Full Mechanical**

**English Service Manual** James Danko,2009-06-06 Full Mechanical English Service Manual General Vehicle Data General Maintenance Fuel System Coolant System Intake Exhaust Turbocharger Engine Electrical Components Diagrams Engine Complete Overhaul Turbo Non Turbo Clutch Transmission Driveline Front Axle Differential Overhaul Rear Axle Differential Overhaul Front Rear Suspension Brake System Steering Heater System Much More See Contents Pages for Full Listings Over 330 Pages of Details and Diagrams **Mitsubishi Pajero Rear Wheel Drive Automatic Transmission Workshop**

**Manual** ,1989 **Mitsubishi MINICAB/TOWNBOX U61T/U62T Full Mechanical English Service Manual** James Danko,2013-01-24 Full Service English Factory Service Manual for the U61T U62T Series Mitsubishi MINICAB TOWNBOX Trucks Vans A must have manual for maintenance or repairing your MINICAB Truck or Van Over 450 Pages loaded with specifications and step by step repair of all mechanical systems Easy to follow diagrams and instructions Covers both 3G83 SOHC and 4A30 DOHC Turbocharged Engines 3 4 Speed Automatic Transmissions and all other mechanical parts of the vehicle See table of contents for details

## Unveiling the Power of Verbal Art: An Mental Sojourn through **Mitsubishi 6d24 Manual**

In a global inundated with screens and the cacophony of quick conversation, the profound energy and mental resonance of verbal artistry often fade into obscurity, eclipsed by the constant barrage of noise and distractions. However, nestled within the lyrical pages of **Mitsubishi 6d24 Manual**, a fascinating perform of fictional beauty that impulses with fresh emotions, lies an remarkable trip waiting to be embarked upon. Composed with a virtuoso wordsmith, that magical opus manuals visitors on a psychological odyssey, lightly revealing the latent possible and profound affect embedded within the elaborate internet of language. Within the heart-wrenching expanse with this evocative analysis, we can embark upon an introspective exploration of the book is main themes, dissect its interesting publishing model, and immerse ourselves in the indelible impression it leaves upon the depths of readers souls.

<https://staging.conocer.cide.edu/public/browse/HomePages/mfe%202013%20study%20manual.pdf>

### **Table of Contents Mitsubishi 6d24 Manual**

1. Understanding the eBook Mitsubishi 6d24 Manual
  - The Rise of Digital Reading Mitsubishi 6d24 Manual
  - Advantages of eBooks Over Traditional Books
2. Identifying Mitsubishi 6d24 Manual
  - Exploring Different Genres
  - Considering Fiction vs. Non-Fiction
  - Determining Your Reading Goals
3. Choosing the Right eBook Platform
  - Popular eBook Platforms
  - Features to Look for in an Mitsubishi 6d24 Manual
  - User-Friendly Interface
4. Exploring eBook Recommendations from Mitsubishi 6d24 Manual
  - Personalized Recommendations

- 
- Mitsubishi 6d24 Manual User Reviews and Ratings
  - Mitsubishi 6d24 Manual and Bestseller Lists
5. Accessing Mitsubishi 6d24 Manual Free and Paid eBooks
    - Mitsubishi 6d24 Manual Public Domain eBooks
    - Mitsubishi 6d24 Manual eBook Subscription Services
    - Mitsubishi 6d24 Manual Budget-Friendly Options
  6. Navigating Mitsubishi 6d24 Manual eBook Formats
    - ePub, PDF, MOBI, and More
    - Mitsubishi 6d24 Manual Compatibility with Devices
    - Mitsubishi 6d24 Manual Enhanced eBook Features
  7. Enhancing Your Reading Experience
    - Adjustable Fonts and Text Sizes of Mitsubishi 6d24 Manual
    - Highlighting and Note-Taking Mitsubishi 6d24 Manual
    - Interactive Elements Mitsubishi 6d24 Manual
  8. Staying Engaged with Mitsubishi 6d24 Manual
    - Joining Online Reading Communities
    - Participating in Virtual Book Clubs
    - Following Authors and Publishers Mitsubishi 6d24 Manual
  9. Balancing eBooks and Physical Books Mitsubishi 6d24 Manual
    - Benefits of a Digital Library
    - Creating a Diverse Reading Collection Mitsubishi 6d24 Manual
  10. Overcoming Reading Challenges
    - Dealing with Digital Eye Strain
    - Minimizing Distractions
    - Managing Screen Time
  11. Cultivating a Reading Routine Mitsubishi 6d24 Manual
    - Setting Reading Goals Mitsubishi 6d24 Manual
    - Carving Out Dedicated Reading Time
  12. Sourcing Reliable Information of Mitsubishi 6d24 Manual
    - Fact-Checking eBook Content of Mitsubishi 6d24 Manual

- 
- Distinguishing Credible Sources
13. Promoting Lifelong Learning
    - Utilizing eBooks for Skill Development
    - Exploring Educational eBooks
  14. Embracing eBook Trends
    - Integration of Multimedia Elements
    - Interactive and Gamified eBooks

### **Mitsubishi 6d24 Manual Introduction**

Free PDF Books and Manuals for Download: Unlocking Knowledge at Your Fingertips In today's fast-paced digital age, obtaining valuable knowledge has become easier than ever. Thanks to the internet, a vast array of books and manuals are now available for free download in PDF format. Whether you are a student, professional, or simply an avid reader, this treasure trove of downloadable resources offers a wealth of information, conveniently accessible anytime, anywhere. The advent of online libraries and platforms dedicated to sharing knowledge has revolutionized the way we consume information. No longer confined to physical libraries or bookstores, readers can now access an extensive collection of digital books and manuals with just a few clicks. These resources, available in PDF, Microsoft Word, and PowerPoint formats, cater to a wide range of interests, including literature, technology, science, history, and much more. One notable platform where you can explore and download free Mitsubishi 6d24 Manual PDF books and manuals is the internet's largest free library. Hosted online, this catalog compiles a vast assortment of documents, making it a veritable goldmine of knowledge. With its easy-to-use website interface and customizable PDF generator, this platform offers a user-friendly experience, allowing individuals to effortlessly navigate and access the information they seek. The availability of free PDF books and manuals on this platform demonstrates its commitment to democratizing education and empowering individuals with the tools needed to succeed in their chosen fields. It allows anyone, regardless of their background or financial limitations, to expand their horizons and gain insights from experts in various disciplines. One of the most significant advantages of downloading PDF books and manuals lies in their portability. Unlike physical copies, digital books can be stored and carried on a single device, such as a tablet or smartphone, saving valuable space and weight. This convenience makes it possible for readers to have their entire library at their fingertips, whether they are commuting, traveling, or simply enjoying a lazy afternoon at home. Additionally, digital files are easily searchable, enabling readers to locate specific information within seconds. With a few keystrokes, users can search for keywords, topics, or phrases, making research and finding relevant information a breeze. This efficiency saves time and effort, streamlining the learning process and allowing individuals to focus on extracting the information they

need. Furthermore, the availability of free PDF books and manuals fosters a culture of continuous learning. By removing financial barriers, more people can access educational resources and pursue lifelong learning, contributing to personal growth and professional development. This democratization of knowledge promotes intellectual curiosity and empowers individuals to become lifelong learners, promoting progress and innovation in various fields. It is worth noting that while accessing free Mitsubishi 6d24 Manual PDF books and manuals is convenient and cost-effective, it is vital to respect copyright laws and intellectual property rights. Platforms offering free downloads often operate within legal boundaries, ensuring that the materials they provide are either in the public domain or authorized for distribution. By adhering to copyright laws, users can enjoy the benefits of free access to knowledge while supporting the authors and publishers who make these resources available. In conclusion, the availability of Mitsubishi 6d24 Manual free PDF books and manuals for download has revolutionized the way we access and consume knowledge. With just a few clicks, individuals can explore a vast collection of resources across different disciplines, all free of charge. This accessibility empowers individuals to become lifelong learners, contributing to personal growth, professional development, and the advancement of society as a whole. So why not unlock a world of knowledge today? Start exploring the vast sea of free PDF books and manuals waiting to be discovered right at your fingertips.

## **FAQs About Mitsubishi 6d24 Manual Books**

1. Where can I buy Mitsubishi 6d24 Manual books? Bookstores: Physical bookstores like Barnes & Noble, Waterstones, and independent local stores. Online Retailers: Amazon, Book Depository, and various online bookstores offer a wide range of books in physical and digital formats.
2. What are the different book formats available? Hardcover: Sturdy and durable, usually more expensive. Paperback: Cheaper, lighter, and more portable than hardcovers. E-books: Digital books available for e-readers like Kindle or software like Apple Books, Kindle, and Google Play Books.
3. How do I choose a Mitsubishi 6d24 Manual book to read? Genres: Consider the genre you enjoy (fiction, non-fiction, mystery, sci-fi, etc.). Recommendations: Ask friends, join book clubs, or explore online reviews and recommendations. Author: If you like a particular author, you might enjoy more of their work.
4. How do I take care of Mitsubishi 6d24 Manual books? Storage: Keep them away from direct sunlight and in a dry environment. Handling: Avoid folding pages, use bookmarks, and handle them with clean hands. Cleaning: Gently dust the covers and pages occasionally.

5. Can I borrow books without buying them? Public Libraries: Local libraries offer a wide range of books for borrowing. Book Swaps: Community book exchanges or online platforms where people exchange books.
6. How can I track my reading progress or manage my book collection? Book Tracking Apps: Goodreads, LibraryThing, and Book Catalogue are popular apps for tracking your reading progress and managing book collections. Spreadsheets: You can create your own spreadsheet to track books read, ratings, and other details.
7. What are Mitsubishi 6d24 Manual audiobooks, and where can I find them? Audiobooks: Audio recordings of books, perfect for listening while commuting or multitasking. Platforms: Audible, LibriVox, and Google Play Books offer a wide selection of audiobooks.
8. How do I support authors or the book industry? Buy Books: Purchase books from authors or independent bookstores. Reviews: Leave reviews on platforms like Goodreads or Amazon. Promotion: Share your favorite books on social media or recommend them to friends.
9. Are there book clubs or reading communities I can join? Local Clubs: Check for local book clubs in libraries or community centers. Online Communities: Platforms like Goodreads have virtual book clubs and discussion groups.
10. Can I read Mitsubishi 6d24 Manual books for free? Public Domain Books: Many classic books are available for free as they're in the public domain. Free E-books: Some websites offer free e-books legally, like Project Gutenberg or Open Library.

### **Find Mitsubishi 6d24 Manual :**

[mfe 2013 study manual](#)

~~metaphors and similes to describe bullying~~

[mf 3165 manual](#)

*message to my fellow class mates*

**meteorology study guide**

*methematics papernovember 2014 grade10*

*metra electronics user manual*

~~merrill geometry applications and connections solution manual~~

[mercury outboard motor repair guides](#)

*mercury power trim manual*

**message in code graphing making practice fun 54 answers**



[metacarpal pain manual guide](#)

[methods of documenting internal control](#)

[meyers saber plow lights wiring diagram](#)

**[mettler toledo ae100 balance manual](#)**

### **Mitsubishi 6d24 Manual :**

Forensic Investigative Accounting 5th Edition Grumbley ... Full Download Forensic Investigative Accounting 5th Edition Grumbley Test Bank - Free download as PDF File (.pdf), Text File (.txt) or read online for free. Forensic Investigative Accounting 5th - Test Bank Forensic Investigative Accounting 5th. Edition Grumbley Test Bank. Visit to download the full and correct content document: Forensic and Investigative Accounting Test Bank - buy online This book reveals how forensic and investigative accounting works. Students get familiar with accounting methods, criminology, investigative auditing methods, ... Test Bank for guide to computer forensics and ... View Test prep - Test Bank for guide to computer forensics and investigations 5th edition sample from ACC 1233 at Masaryk University. Forensic And Investigative Accounting 5th Edition Solution Nov 2, 2023 — The book also has some coverage on using Minitab, IDEA,. R, and Tableau to run forensic-focused tests. The use of SAS and Power BI rounds out ... Forensic and Investigative Accounting Crumbley 4 Test Bank -Financial Accounting Theory, 5th edition,Scott, W.R. SM -Supply Chain ... I am interested in both the solution manual and test bank for "Forensic and ... Forensic & Investigative Accounting (Fifth Edition) A complete and readily teachable text on todays most timely accounting topics. The growing area of forensic accounting in which the knowledge, ... Test Bank - Forensic accounting and fraud examination - ... Test bank project for Forensic Accounting and Fraud Examination (2nd Ed.) by Mary-Jo Kranacher and Dick RileyTest bank written by Brian L. Carpenter, PhD, ... Forensic investigative accounting 5th edition grumbley test ... Nov 7, 2023 — 9. Expert testimony must be based upon sufficient facts or data. \*a. True b. False. 10. Evidence may not be excluded on grounds of prejudice, ... Economics 181: International Trade Midterm Solutions Answer: e. High tariffs block companies from selling goods to a country. By producing goods in these countries directly, they sidestep these tariffs. Producing ... Economics 181: International Trade Midterm Solutions We can describe what is happening in China using the Specific Factor Model. Assume that there are two goods, tea and computers. Midterm Exam (SOLUTIONS) (1) (pdf) ECON C181 (Fall 2022) International Trade Midterm Exam SOLUTIONS Thursday, October 13th, 2022 5:10pm-6:30pm Last Name: First Name: Student ID Number: 1. Midterm 4 solutions - some questions for you to practice Economics 181: International Trade. Midterm Solutions. 1 Short Answer (20 points). Please give a full answer. If you need to indicate whether the answer is ... Midterm 4 solutions - Economics 181: International Trade ... In world trade equilibrium, wages are the same in home and foreign,  $w = w^*$ . What good(s) will Home produce? What good(s) will Foreign produce?

---

Each country's ... ECON c181 : International Trade - UC Berkeley 2nd Mid-Term practice questions with answers; University of California, Berkeley; International Trade; ECON C181 - Spring 2015; Register Now. Your Name: ECON-181 International Trade MIDTERM ... View Test prep - MidtermSolution from ECON 181 at University of California, Berkeley. Your Name: ECON-181 International Trade MIDTERM Wednesday, July 17, ... Economics 181 International Trade Midterm Solutions (2023) 4 days ago — 2010-01-01 Unesco This report reviews engineering's importance to human, economic, social and cultural development and in. Economics 181: International Trade Homework # 4 Solutions First off, the restricted imports allow domestic producers to sell more strawberries at a higher price of \$0/box. Therefore, producer surplus increases by area ... HW2s Ric HO f11 | PDF | Labour Economics Economics 181: International Trade Midterm Solutions: 1 Short Answer (40 Points). Introduction to Social Work, Fourth Edition This engaging text gives readers a practical guide to the many ways in which social workers effect change in their communities and the world. The authors offer ... Introduction to Social Work, Fourth Edition: The People's ... This engaging text gives readers a practical guide to the many ways in which social workers effect change in their communities and the world. The authors offer ... Empowerment Series: An Introduction to the Profession of ... Get an overview of the social work profession and learn about the role of the social worker in the social welfare system with Segal, Gerdes and Steiner's text. Introduction to Social Work, Fourth Edition The People's ... Book Details. Full Title: Introduction to Social Work, Fourth Edition: The People's Profession. Edition: 4th edition. ISBN-13: 978-0190615666. Format: Paperback ... Introduction to Social Work, Fourth Edition: The People's ... The authors offer an overview and history of the profession; introduce readers to the practice of social work at the micro, mezzo, and macro level; and finally ... Introduction to Social Work, Fourth Edition - Ira Colby The authors offer an overview and history of the profession; introduce readers to the practice of social work at the micro, mezzo, and macro level; and finally ... Introduction to Social Work, Fourth Edition: The People's ... Introduction to Social Work, Fourth Edition: The People's Profession ; Author: Ira Colby ; Publisher: Oxford University Press ; Release Date: 2015 ; ISBN-13: ... Introduction to Social Work, Fourth Edition - Paperback The authors offer an overview and history of the profession; introduce readers to the practice of social work at the micro, mezzo, and macro level; and finally ... An Introduction to the Profession of Social Work Assess how social welfare and economic policies impact the delivery of and access to social services. 4, 7, 10, 11 c. Apply critical thinking to analyze, ... Introduction to Social Work, Fourth Edition: The ... Introduction to Social Work, Fourth Edition: The People's Profession (4th Edition). by Sophia F. Dziegielewski, Ira Colby. Paperback, 480 Pages, Published ...