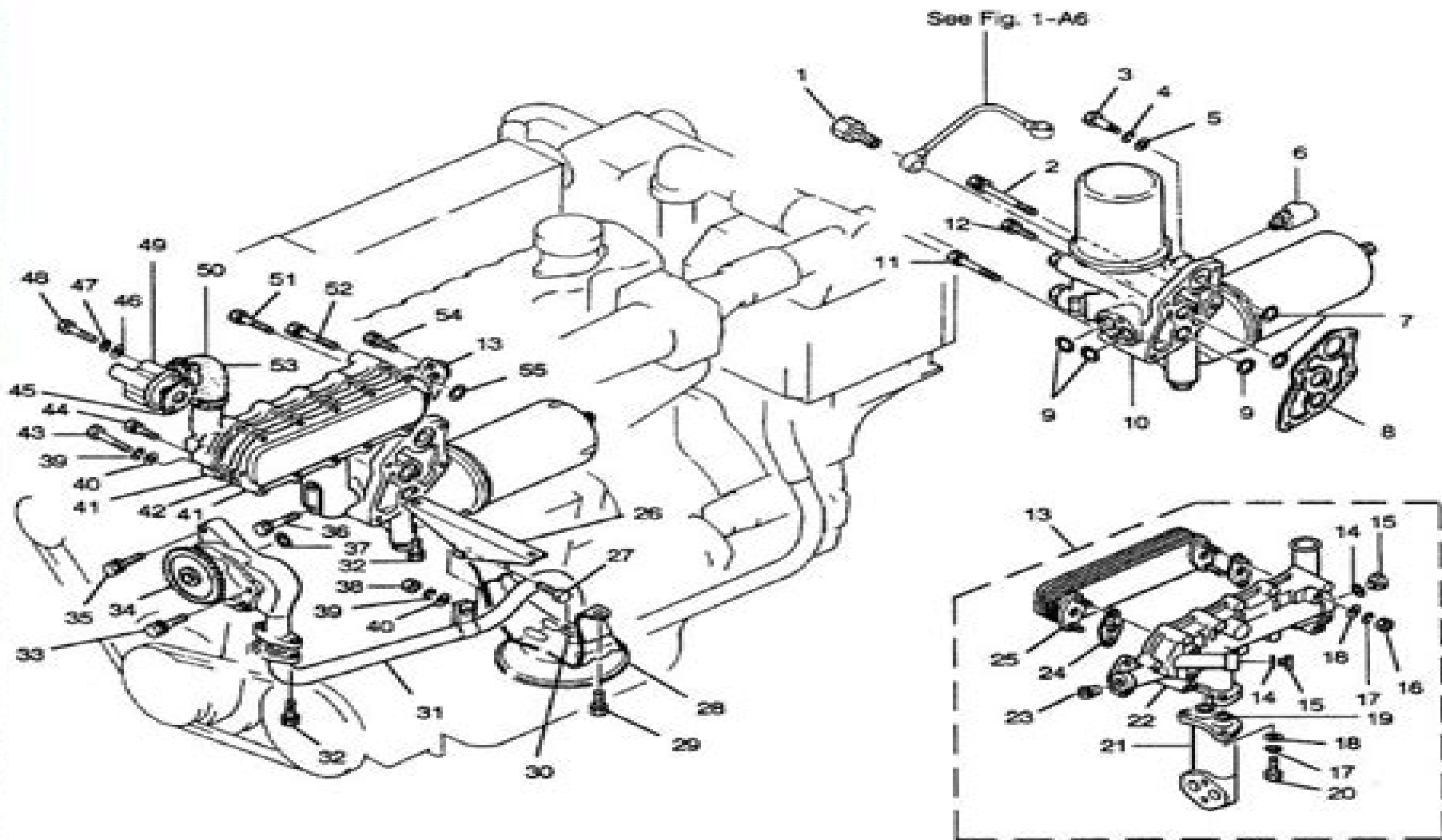


1-A3

1400 LUBRICATING SYSTEM



Hino Manual Eh700 Pumps

Joacim Rocklöv



Hino Manual Eh700 Pumps:

Hino Truck Workshop Manual Motors Ltd Hino, **Hino Truck Model LB EH300 Engine Series** , **Hino Truck Chassis** Jidosha Hanbai Kabushiki Kaisha Hino, **Hino Truck Model KL, EC 100 Engine Series, Workshop Manual** ,1988* **Hino GD17** Ltd. Overseas Operations Service Division Hino Motors, **Hino Truck Engine** Jidosha Hanbai Kabushiki Kaisha Hino, **Hino Workshop Manual** ,1985 **Service Manual, MP Pumps** MP Pumps, Inc,1962 Hino Truck Engine Workshop Manual, H07D. Hino Jidōsha Kōgyō Kabushiki Kaisha. Overseas Service Division,1992* **Hino Engine** ,1988

Hino Manual Eh700 Pumps Book Review: Unveiling the Power of Words

In a global driven by information and connectivity, the ability of words has be evident than ever. They have the capability to inspire, provoke, and ignite change. Such is the essence of the book **Hino Manual Eh700 Pumps**, a literary masterpiece that delves deep to the significance of words and their effect on our lives. Compiled by a renowned author, this captivating work takes readers on a transformative journey, unraveling the secrets and potential behind every word. In this review, we will explore the book is key themes, examine its writing style, and analyze its overall effect on readers.

https://staging.conocer.cide.edu/files/scholarship/Download_PDFS/halsoer61b%20api%20strip%20mcq.pdf

Table of Contents Hino Manual Eh700 Pumps

1. Understanding the eBook Hino Manual Eh700 Pumps
 - The Rise of Digital Reading Hino Manual Eh700 Pumps
 - Advantages of eBooks Over Traditional Books
2. Identifying Hino Manual Eh700 Pumps
 - Exploring Different Genres
 - Considering Fiction vs. Non-Fiction
 - Determining Your Reading Goals
3. Choosing the Right eBook Platform
 - Popular eBook Platforms
 - Features to Look for in an Hino Manual Eh700 Pumps
 - User-Friendly Interface
4. Exploring eBook Recommendations from Hino Manual Eh700 Pumps
 - Personalized Recommendations
 - Hino Manual Eh700 Pumps User Reviews and Ratings
 - Hino Manual Eh700 Pumps and Bestseller Lists
5. Accessing Hino Manual Eh700 Pumps Free and Paid eBooks

- Hino Manual Eh700 Pumps Public Domain eBooks
 - Hino Manual Eh700 Pumps eBook Subscription Services
 - Hino Manual Eh700 Pumps Budget-Friendly Options
6. Navigating Hino Manual Eh700 Pumps eBook Formats
 - ePub, PDF, MOBI, and More
 - Hino Manual Eh700 Pumps Compatibility with Devices
 - Hino Manual Eh700 Pumps Enhanced eBook Features
 7. Enhancing Your Reading Experience
 - Adjustable Fonts and Text Sizes of Hino Manual Eh700 Pumps
 - Highlighting and Note-Taking Hino Manual Eh700 Pumps
 - Interactive Elements Hino Manual Eh700 Pumps
 8. Staying Engaged with Hino Manual Eh700 Pumps
 - Joining Online Reading Communities
 - Participating in Virtual Book Clubs
 - Following Authors and Publishers Hino Manual Eh700 Pumps
 9. Balancing eBooks and Physical Books Hino Manual Eh700 Pumps
 - Benefits of a Digital Library
 - Creating a Diverse Reading Collection Hino Manual Eh700 Pumps
 10. Overcoming Reading Challenges
 - Dealing with Digital Eye Strain
 - Minimizing Distractions
 - Managing Screen Time
 11. Cultivating a Reading Routine Hino Manual Eh700 Pumps
 - Setting Reading Goals Hino Manual Eh700 Pumps
 - Carving Out Dedicated Reading Time
 12. Sourcing Reliable Information of Hino Manual Eh700 Pumps
 - Fact-Checking eBook Content of Hino Manual Eh700 Pumps
 - Distinguishing Credible Sources
 13. Promoting Lifelong Learning
 - Utilizing eBooks for Skill Development

- Exploring Educational eBooks
- 14. Embracing eBook Trends
 - Integration of Multimedia Elements
 - Interactive and Gamified eBooks

Hino Manual Eh700 Pumps Introduction

In this digital age, the convenience of accessing information at our fingertips has become a necessity. Whether its research papers, eBooks, or user manuals, PDF files have become the preferred format for sharing and reading documents. However, the cost associated with purchasing PDF files can sometimes be a barrier for many individuals and organizations. Thankfully, there are numerous websites and platforms that allow users to download free PDF files legally. In this article, we will explore some of the best platforms to download free PDFs. One of the most popular platforms to download free PDF files is Project Gutenberg. This online library offers over 60,000 free eBooks that are in the public domain. From classic literature to historical documents, Project Gutenberg provides a wide range of PDF files that can be downloaded and enjoyed on various devices. The website is user-friendly and allows users to search for specific titles or browse through different categories. Another reliable platform for downloading Hino Manual Eh700 Pumps free PDF files is Open Library. With its vast collection of over 1 million eBooks, Open Library has something for every reader. The website offers a seamless experience by providing options to borrow or download PDF files. Users simply need to create a free account to access this treasure trove of knowledge. Open Library also allows users to contribute by uploading and sharing their own PDF files, making it a collaborative platform for book enthusiasts. For those interested in academic resources, there are websites dedicated to providing free PDFs of research papers and scientific articles. One such website is Academia.edu, which allows researchers and scholars to share their work with a global audience. Users can download PDF files of research papers, theses, and dissertations covering a wide range of subjects. Academia.edu also provides a platform for discussions and networking within the academic community. When it comes to downloading Hino Manual Eh700 Pumps free PDF files of magazines, brochures, and catalogs, Issuu is a popular choice. This digital publishing platform hosts a vast collection of publications from around the world. Users can search for specific titles or explore various categories and genres. Issuu offers a seamless reading experience with its user-friendly interface and allows users to download PDF files for offline reading. Apart from dedicated platforms, search engines also play a crucial role in finding free PDF files. Google, for instance, has an advanced search feature that allows users to filter results by file type. By specifying the file type as "PDF," users can find websites that offer free PDF downloads on a specific topic. While downloading Hino Manual Eh700 Pumps free PDF files is convenient, its important to note that copyright laws must be respected. Always ensure that the PDF files you download are legally available

for free. Many authors and publishers voluntarily provide free PDF versions of their work, but its essential to be cautious and verify the authenticity of the source before downloading Hino Manual Eh700 Pumps. In conclusion, the internet offers numerous platforms and websites that allow users to download free PDF files legally. Whether its classic literature, research papers, or magazines, there is something for everyone. The platforms mentioned in this article, such as Project Gutenberg, Open Library, Academia.edu, and Issuu, provide access to a vast collection of PDF files. However, users should always be cautious and verify the legality of the source before downloading Hino Manual Eh700 Pumps any PDF files. With these platforms, the world of PDF downloads is just a click away.

FAQs About Hino Manual Eh700 Pumps Books

How do I know which eBook platform is the best for me? Finding the best eBook platform depends on your reading preferences and device compatibility. Research different platforms, read user reviews, and explore their features before making a choice. Are free eBooks of good quality? Yes, many reputable platforms offer high-quality free eBooks, including classics and public domain works. However, make sure to verify the source to ensure the eBook credibility. Can I read eBooks without an eReader? Absolutely! Most eBook platforms offer web-based readers or mobile apps that allow you to read eBooks on your computer, tablet, or smartphone. How do I avoid digital eye strain while reading eBooks? To prevent digital eye strain, take regular breaks, adjust the font size and background color, and ensure proper lighting while reading eBooks. What the advantage of interactive eBooks? Interactive eBooks incorporate multimedia elements, quizzes, and activities, enhancing the reader engagement and providing a more immersive learning experience. Hino Manual Eh700 Pumps is one of the best book in our library for free trial. We provide copy of Hino Manual Eh700 Pumps in digital format, so the resources that you find are reliable. There are also many Ebooks of related with Hino Manual Eh700 Pumps. Where to download Hino Manual Eh700 Pumps online for free? Are you looking for Hino Manual Eh700 Pumps PDF? This is definitely going to save you time and cash in something you should think about.

Find Hino Manual Eh700 Pumps :

[halsoer61b-api-strip-mcq](#)

[ham and cabbage recipe](#)

[harcourt nyc science grade 4 teacher edition](#)

[hampden motor manual](#)

handbook of proteolytic enzymes

~~happy 17th birthday to my son~~

~~harcourt math practice workbook grade 4 answers~~

~~hannspree support user guide~~

~~hands are not for hitting social story powerpoint~~

~~hamm roller manual~~

~~hamlet by william shakespeare study guide answers~~

~~hampton dining guide~~

~~hapuna beach surf report~~

~~hamilton beach summit brewstation manual~~

~~hamilton beach juicer user39s manual~~

Hino Manual Eh700 Pumps :

programmazione cuori con le ali - Jan 27 2022

web apr 15 2023 cuori con le ali le libellule 2 is available in our digital library an online access to it is set as public so you can get it instantly our book servers saves in multiple

amazon it le libellule - Mar 09 2023

web cuori con le ali le libellule vol 2 di elena peduzzi b bongini e al 4 5 su 5 stelle 15 copertina flessibile oppure 1 29 per acquistare un album mp3 la storia della

cuori con le ali le libellule vol 2 paperback jan 1 2012 - Nov 05 2022

web cuori con le ali le libellule vol 2 elena peduzzi b bongini 9788850227600 books amazon ca

cuori con le ali le libellule vol 2 tea ragazzi amazon es - Apr 10 2023

web cuori con le ali le libellule vol 2 tea ragazzi peduzzi elena bongini b thaler s amazon es libros

cuori con le ali le libellule vol 2 elena peduzzi lafeltrinelli - Jan 07 2023

web cuori con le ali le libellule vol 2 è un libro di elena peduzzi pubblicato da tea nella collana tea ragazzi acquista su lafeltrinelli a 5 00

cuori con le ali le libellule elena peduzzi google books - Dec 06 2022

web i primi allenamenti con la nuova insegnante mettono a dura prova le libellule la signora ranieri è davvero severa e inflessibile martina e le sue compagne devono fare appello a

cuori con le ali le libellule vol 2 copertina flessibile amazon it - Jul 13 2023

web cuori con le ali le libellule vol 2 copertina flessibile 13 settembre 2012 di elena peduzzi autore b bongini illustratore s thaler illustratore 4 5 15 voti visualizza

[cuori con le ali facebook](#) - Jul 01 2022

web jun 19 2023 cuori con le ali le libellule vol 2 è un libro scritto da elena peduzzi pubblicato da tea nella collana tea ragazzi cuori con le ali serie le libellule n 2 elena

[cuori con le ali conversano facebook](#) - Feb 25 2022

web 01 aprile 2023 la bella e la bestia caronno pertusella va 0 13 25 marzo 2023 ma che musical maestro milano 14 settembre 2022 0 8

cuori con le ali le libellule peduzzi elena amazon com tr - May 11 2023

web le libellule peduzzi elena amazon com tr Çerez tercihlerinizi seçin alışveriş deneyiminizi geliştirmek hizmetlerimizi sunmak müşterilerin hizmetlerimizi nasıl

[cuori con le ali le libellule vol 2 amazon com br](#) - Oct 04 2022

web compre online cuori con le ali le libellule vol 2 de peduzzi elena bongini b thaler s na amazon frete grÁtis em milhares de produtos com o amazon prime

[cuori con le ali le libellule 2 by elena peduzzi b bongini s](#) - Apr 29 2022

web listen to cuore con le ali on spotify habamusic song 2021 habamusic song 2021 listen to cuore con le ali on spotify habamusic song 2021 sign up log in home

cuori con le ali le libellule vol 2 amazon fr - Aug 14 2023

web noté 5 retrouvez cuori con le ali le libellule vol 2 et des millions de livres en stock sur amazon fr achetez neuf ou d occasion

cuori con le ali le libellule 2 elena peduzzi mondadori store - Jun 12 2023

web acquista online il libro cuori con le ali le libellule 2 di elena peduzzi in offerta a prezzi imbattibili su mondadori store

[cuori con le ali le libellule 2 by elena peduzzi b bongini s thaler](#) - Oct 24 2021

[cuori con le ali le libellule 2 by elena peduzzi b bongini s](#) - May 31 2022

web jun 6 2023 elena peduzzi b bongini s thaler below we reimburse for cuori con le ali le libellule 2 by elena peduzzi b bongini s thaler and abundant books

cuori con le ali le libellule vol 2 libro di peduzzi elena - Sep 03 2022

web martina e le sue compagne devono fare appello a tutta la loro grinta e al loro spirito di squadra per tenere alto il morale e preparare il nuovo esercizio per le gare regionali

cuori con le ali le libellule 2 by elena peduzzi b bongini s - Aug 02 2022

web scrapbooking cuori con le ali le libellule 2 elena peduzzi libro libro missione vittoria le libellule 3 di elena peduzzi l onda è il mare viaggio del cuore e della mente libro

cuore con le ali song and lyrics by habamusic spotify - Mar 29 2022

web cuori con le ali conversano 1 216 likes 56 talking about this 95 were here cuori con le ali centro di formazione arti dello spettacolo contenitore culturale produzione di

niccolò fabi amori con le ali live performance vevo - Nov 24 2021

web may 14th 2020 cuori con le ali le libellule vol 2 è un libro scritto da elena peduzzi pubblicato da tea nella collana tea ragazzi 11 fantastiche immagini su carta da parati a

cuori con le ali le libellule 2 uniport edu - Dec 26 2021

web niccolò fabi presenta il brano amori con le ali in questa speciale performance dal vivo per vevo accompagnato da costanza francavilla e stefano cabrera g

cuori con le ali le libellule vol 2 paperback amazon com au - Feb 08 2023

web cuori con le ali le libellule vol 2 peduzzi elena bongini b thaler s amazon com au books

cuori con le ali facebook - Sep 22 2021

daastan meri pyari baji 4 main baji k aur qareeb hua facebook - Nov 27 2022

web 1 saal main aik baar bhi tum ne meri phuddi ko touch nahi kia is liye plz meri gand maro apni baji ki gand main apna lun dalo apni baji ko gand main chodo main ne baji ko khara kia aur jhuka dia baji kuch aisay khari thi mere samne baji k hath ghutnoon pe the baji jhuki hui thi aur baji ki gand mere moonh k samne thi

devar par bhabhi ki nazar urdu kahani urdu story kanwal voice - May 22 2022

web may 12 2020 devar par bhabhi ki nazar urdu story urdu kahani kanwal voice kanwalvoice urdustory urdukananithis channel kanwal voice for educational purposes thanks f

pathan maali ne gand phaari blogger - Dec 29 2022

web jul 23 2013 pathan nay apni dhoti se mere chehre ko saaf kiya aur mujhe lita kar mujhe choomnay laga main bhi maali ko choom rahi thi 10 minutes baad hi uska lund phir akar gaya to main boli bapa ab meri choot ki chodai karna meri choot may bohat jalan ho rahi hai maali nay mujhe litaya aur apna lund meri choot kay bajaay meri gand may phir se

majboori ka fayda uthaya x kahani full story - Oct 07 2023

web majboori ka fayda uthaya majboori ka fayda uthaya ello doston main karachi ek school main principal hoon first time aap ki khidmat main hazir ho raha hoon apni kahani lekar umeed hai pasand aayegi yeh ab se koi 2 saal pahle ki baat hai main

apne office main tha ek 35 years ki ek khaton dakhil huin aur apna taroof karaya k mera naam rehana

2 behny aur ek bhai ki kahani aarif patel aur vo facebook - Apr 01 2023

web august 8 2016 2 behny aur ek bhai ki kahani hello mera naam sunayana h or me haryana ki rahne wali hu ye story meri or mere bade bhai anil ki or ye sachi kahani h ab m aap ko apne or apne parivar ke bare me btati hu humari join family h jis me mere tau ji tayi ji or un ka beta anil or badi didi kavita rahte h or mere mere

gaun ki kahani bahen ki zubani tm s contest tafreeh mela - Mar 20 2022

web sep 9 2012 ay gaon se aany waly bata ay gaon se aany waly bata kia haal hi mery gaon ka pipal ki thandi chhaon ka sharmili shokh nighahon ka un naz bhari adaon ka ay gaon se aay waly bata ay gaon se aany waly bata ajkal humary gaon main kiasa swera hota hi kia ab bhi unky aangan main pholon ka basera hota hi panchi geet sunaty hain jab door

urdu sexy stories - Sep 06 2023

web keep up with your favorite sexy urdu stories urdu sex story urdu suhagrat kahani urdu romantic home all story story series geo ki larki meri bhen ki gand bap or bati monday august 28 2023 دیلشاد احمد dilshad ahmed

ajjabi mard ne zabardasti hostel me urdu sex stories - Aug 25 2022

web ajnabi mard ne zabardasti hostel me choda hi friends mera naam payal negi hai main chattisgarh se hoon meri age 24 hain aur mere gharme mummy papa aur chota bhai hai main dikhne me bahut khubsurat hoon aur main bahut gori hoon main healthy hoon

urdu stories pk ghar main chudai ki kahani part 1 پاکستان - Jul 24 2022

web urdu stories pk ghar main chudai ki kahani part 1 پاکستان facebook urdu stories pk april 4 2020 ghar main chudai ki kahani part 1 پاکستان پاکستان پاکستان پاکستان پاکستان پاکستان پاکستان پاکستان پاکستان پاکستان

femmes et islam amina mohammed appelle à l action pour - Jun 22 2022

web nov 7 2023 situation urgente en afghanistan l islam appelle clairement à mettre fin à toutes les lois et pratiques discriminatoires qui entravent l accès à l éducation a t elle ajouté notant que 130 millions de filles dans le monde ne sont pas scolarisées pointant la situation particulière de l afghanistan

barsat ki ek raat ma chudai or desi gand mari sex stories - Sep 25 2022

web mere lund ka fowara shalini ki choot mein ja gira aur hum dono jhad gaye dusre room se mahesh aur kamla ki chudayi ki awaz sun rahi thee jab vo bhi free ho gaye to hum unko milne chale gaye barsat ki ek raat ma chudai or desi gand mari sex stories

aamer mughal ki baji ki gandi story pakistani real story - May 02 2023

web sep 25 2015 aamer mughal ki baji ki gandi story pakistani real story by pk on september 25 2015 in behan ki chudai ki sachi kahaniyan pakistani and inden sexy stories pakistani gandi kahani urdu kahani hi mera naam maya hai main aamer

inspiration and insights while writing your own report cards the 107 report card comments in this list will help you instill a growth mindset in students build stronger home to school connections

325 amazing report card comments and remarks to save your time - Aug 15 2023

web apr 4 2022 we have made your task easier by providing a list of report card comments for every feedback category and applicable to all grades just copy and paste the comment insert the student s name and you are good to go

report card comments phrases for all subjects teachervision - Nov 06 2022

web this list of 38 ready to use comments covers academic subjects social skills behavior and time task management for preschool report cards looking for more report card comment examples download or purchase over 90 pages of grading comments examples tips and advice for managing student grades view more examples

125 report card comments save you time education world - Jun 01 2022

web we have organized our 125 report card comments by category read the entire list or click one of the category links below to jump to that list attitude behavior character communication skills group work interests and talents participation

89 top report card comments for junior infants teaching - May 12 2023

web explore more than 89 report card comments for junior infants resources for teachers parents and pupils

the ultimate guide for preschool report card comments 150 - Apr 30 2022

web 6 strategies for effectively nursery report joker comments that classified zauber format of typing preschool report card commentary 80 sample preschool report bill comments 5 tips for writing preschool report card comments express preschool report card templates from illumine

223 copy and paste final report card comments 2023 - Jan 28 2022

web aug 28 2023 223 copy and paste final report card comments by chris drew phd august 28 2023 hey teacher is it report writing time again hopefully these comments for student report cards will come in helpful copy and paste these report card comments for your students it ll save you time and heartache contents show

90 quick report card comments for kindergarten - Feb 26 2022

web sample report card comments let s take a look at some examples of kindergarten report card comments often found at the end of a student s report card these sample report card comments are broken down into categories for positive needs improvement and suggestions for home then we will look at ways you can compile these comments

preschool report card comment examples lovetoknow - Dec 27 2021

web mar 26 2019 report cards help track a child s progress and let both the teacher and parents know what the child is excelling in and what they need to work on comments and observations can provide tremendous insight into the child s wellbeing and help foster a supportive network of teachers and family members

140 preschool report card comments preschool teacher - Jun 13 2023

web apr 6 2023 using these preschool report card comment examples you ll be able to write precise and motivating preschool report card comments for your preschool children 20 preschool report card comments for learning skills here are 20 comments for preschool children on their learning skills

the ultimate guide for preschool report card comments - Feb 09 2023

web 6 strategies for effective preschool report card comments the secret magic format of writing preschool report card comments 80 sample preschool report card comments 5 tips for writing preschool report card comments fast preschool report card templates from illumine 10 steps for creating progress reports on the illumine app

15 best report card comments samples splashlearn - Mar 30 2022

web apr 28 2023 1 positive and solution focused it s important to focus on the positive when writing report card comments for every negative comment there should be at least two positive comments this report card comment template is a great way to make sure you re including both positive and negative feedback in your comments

100 report card comments you can use now the teacher - Jan 08 2023

web now that the principles are out of the way here is my list of 100 report card comments updated to include 150 comments i ve included a wide variety of comments for the wide variety of ability levels and behavioral challenges of

free report card comments nursery and kindergarten - Dec 07 2022

web oct 31 2020 i am very excited to share sample of personalised report card comments general form tutor comments with you that are ready for use for a complete set of over 70 comments tes com teaching resource ib pyp report card comments nursery and kindergarten 12427753

38 free preschool report card comments with grading remarks - Jul 14 2023

web may 18 2022 this list of 38 ready to use report card comments covers academic subjects social skills behavior and time task management for preschool report cards and provides both examples of positive feedback for students and suggestions for improvement

sample report card comments for any teaching situation - Mar 10 2023

web nov 14 2022 we ve got 75 sample report card comments below that are sorted for students at every level emerging developing proficient and extending standards also get a free google slide version of these comments by submitting your email here

report card comments in childcare kidskinder child care centre - Aug 03 2022

web the main objectives of kindergarten report card comments and preschool report comments is to give parents a clear picture of their child s achievements general comments for report cards should be original incisive and encouraging what

characteristics to discuss comments should always be honest while remaining positive

mash infants senior infants report statements - Oct 05 2022

web some sample comments for english irish and maths for senior infant report cards also some common ideas for the section how to support your child s learning this document is a pdf but you can copy and paste these comments into aladdin or use them to handwrite your report cards best of luck

sample report card comments for any teaching situation 125 report - Jul 02 2022

web nov 14 2022 by way these sample reports card comments will establish an how that attaches to the that of any number or anschreiben grade you are documenting report card comments for students whose skills will emerging your baby puts in great work in preferred subject if they apply those skills to non preferred subject there s nay

100 sample report card comments and 5 strategies for - Apr 11 2023

web apr 7 2020 here are a few tips to help you provide honest and valuable feedback while being encouraging and professional including 100 sample report card comments that you can use today download a free pdf of 100 report card comments here 5 strategies for simplifying report cards 1 employ the sandwich feedback technique