



**MITSUBISHI  
ELECTRIC**

SPLIT-TYPE, HEAT PUMP AIR CONDITIONERS

*Changes for the Better*

May 2009

No. OCH451

## SERVICE MANUAL

### R410A

Outdoor unit  
[model name]

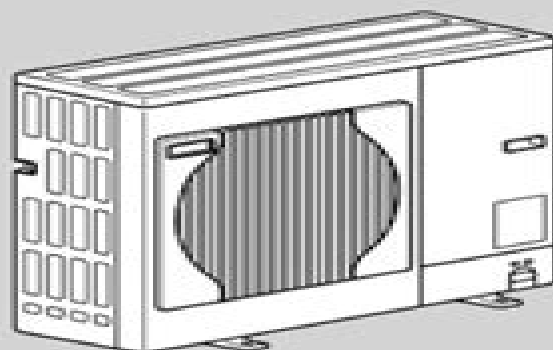
PUHZ-RP35VHA4  
PUHZ-RP50VHA4  
PUHZ-RP60VHA4  
PUHZ-RP71VHA4  
PUHZ-RP100VKA  
PUHZ-RP125VKA  
PUHZ-RP140VKA  
PUHZ-RP100YKA  
PUHZ-RP125YKA  
PUHZ-RP140YKA  
PUHZ-RP200YKA  
PUHZ-RP250YKA

[Service Ref.]

PUHZ-RP35VHA4  
PUHZ-RP50VHA4  
PUHZ-RP60VHA4  
PUHZ-RP71VHA4  
PUHZ-RP100VKA  
PUHZ-RP125VKA  
PUHZ-RP140VKA  
PUHZ-RP100YKA  
PUHZ-RP125YKA  
PUHZ-RP140YKA  
PUHZ-RP200YKA  
PUHZ-RP250YKA

Note:

- This manual describes only service data of the outdoor units.
- RoHS-compliant products have «G» mark on the spec name plate.



PUHZ-RP60VHA4  
PUHZ-RP71VHA4

### CONTENTS

1 REFERENCE MANUAL	2
2 SAFETY PRECAUTION	2
3 FEATURES	6
4 SPECIFICATIONS	7
5 DATA	10
6 OUTLINES AND DIMENSIONS	16
7 WIRING DIAGRAM	20
8 WIRING SPECIFICATIONS	25
9 REFRIGERANT SYSTEM DIAGRAM	30
10 TROUBLESHOOTING	34
11 FUNCTION SETTING	94
12 MONITORING THE OPERATION DATA BY THE REMOTE CONTROLLER	101
13 EASY MAINTENANCE FUNCTION	111
14 DISASSEMBLY PROCEDURE	116

PARTS CATALOG (OCB451)

**Mr. SLIM™**

# Mitsubishi Service Manual Obh549

**Camilla Rothe**



**Mitsubishi Service Manual Obh549:**

Right here, we have countless books **Mitsubishi Service Manual Obh549** and collections to check out. We additionally find the money for variant types and afterward type of the books to browse. The tolerable book, fiction, history, novel, scientific research, as capably as various additional sorts of books are readily manageable here.

As this Mitsubishi Service Manual Obh549, it ends occurring innate one of the favored books Mitsubishi Service Manual Obh549 collections that we have. This is why you remain in the best website to see the incredible book to have.

[https://staging.conocer.cide.edu/About/book-search/HomePages/How\\_To\\_Power\\_Down\\_Windows\\_8.pdf](https://staging.conocer.cide.edu/About/book-search/HomePages/How_To_Power_Down_Windows_8.pdf)

## **Table of Contents Mitsubishi Service Manual Obh549**

1. Understanding the eBook Mitsubishi Service Manual Obh549
  - The Rise of Digital Reading Mitsubishi Service Manual Obh549
  - Advantages of eBooks Over Traditional Books
2. Identifying Mitsubishi Service Manual Obh549
  - Exploring Different Genres
  - Considering Fiction vs. Non-Fiction
  - Determining Your Reading Goals
3. Choosing the Right eBook Platform
  - Popular eBook Platforms
  - Features to Look for in an Mitsubishi Service Manual Obh549
  - User-Friendly Interface
4. Exploring eBook Recommendations from Mitsubishi Service Manual Obh549
  - Personalized Recommendations
  - Mitsubishi Service Manual Obh549 User Reviews and Ratings
  - Mitsubishi Service Manual Obh549 and Bestseller Lists
5. Accessing Mitsubishi Service Manual Obh549 Free and Paid eBooks
  - Mitsubishi Service Manual Obh549 Public Domain eBooks

- Mitsubishi Service Manual Obh549 eBook Subscription Services
- Mitsubishi Service Manual Obh549 Budget-Friendly Options
- 6. Navigating Mitsubishi Service Manual Obh549 eBook Formats
  - ePub, PDF, MOBI, and More
  - Mitsubishi Service Manual Obh549 Compatibility with Devices
  - Mitsubishi Service Manual Obh549 Enhanced eBook Features
- 7. Enhancing Your Reading Experience
  - Adjustable Fonts and Text Sizes of Mitsubishi Service Manual Obh549
  - Highlighting and Note-Taking Mitsubishi Service Manual Obh549
  - Interactive Elements Mitsubishi Service Manual Obh549
- 8. Staying Engaged with Mitsubishi Service Manual Obh549
  - Joining Online Reading Communities
  - Participating in Virtual Book Clubs
  - Following Authors and Publishers Mitsubishi Service Manual Obh549
- 9. Balancing eBooks and Physical Books Mitsubishi Service Manual Obh549
  - Benefits of a Digital Library
  - Creating a Diverse Reading Collection Mitsubishi Service Manual Obh549
- 10. Overcoming Reading Challenges
  - Dealing with Digital Eye Strain
  - Minimizing Distractions
  - Managing Screen Time
- 11. Cultivating a Reading Routine Mitsubishi Service Manual Obh549
  - Setting Reading Goals Mitsubishi Service Manual Obh549
  - Carving Out Dedicated Reading Time
- 12. Sourcing Reliable Information of Mitsubishi Service Manual Obh549
  - Fact-Checking eBook Content of Mitsubishi Service Manual Obh549
  - Distinguishing Credible Sources
- 13. Promoting Lifelong Learning
  - Utilizing eBooks for Skill Development
  - Exploring Educational eBooks

#### 14. Embracing eBook Trends

- Integration of Multimedia Elements
- Interactive and Gamified eBooks

#### **Mitsubishi Service Manual Obh549 Introduction**

In this digital age, the convenience of accessing information at our fingertips has become a necessity. Whether its research papers, eBooks, or user manuals, PDF files have become the preferred format for sharing and reading documents. However, the cost associated with purchasing PDF files can sometimes be a barrier for many individuals and organizations. Thankfully, there are numerous websites and platforms that allow users to download free PDF files legally. In this article, we will explore some of the best platforms to download free PDFs. One of the most popular platforms to download free PDF files is Project Gutenberg. This online library offers over 60,000 free eBooks that are in the public domain. From classic literature to historical documents, Project Gutenberg provides a wide range of PDF files that can be downloaded and enjoyed on various devices. The website is user-friendly and allows users to search for specific titles or browse through different categories. Another reliable platform for downloading Mitsubishi Service Manual Obh549 free PDF files is Open Library. With its vast collection of over 1 million eBooks, Open Library has something for every reader. The website offers a seamless experience by providing options to borrow or download PDF files. Users simply need to create a free account to access this treasure trove of knowledge. Open Library also allows users to contribute by uploading and sharing their own PDF files, making it a collaborative platform for book enthusiasts. For those interested in academic resources, there are websites dedicated to providing free PDFs of research papers and scientific articles. One such website is Academia.edu, which allows researchers and scholars to share their work with a global audience. Users can download PDF files of research papers, theses, and dissertations covering a wide range of subjects. Academia.edu also provides a platform for discussions and networking within the academic community. When it comes to downloading Mitsubishi Service Manual Obh549 free PDF files of magazines, brochures, and catalogs, Issuu is a popular choice. This digital publishing platform hosts a vast collection of publications from around the world. Users can search for specific titles or explore various categories and genres. Issuu offers a seamless reading experience with its user-friendly interface and allows users to download PDF files for offline reading. Apart from dedicated platforms, search engines also play a crucial role in finding free PDF files. Google, for instance, has an advanced search feature that allows users to filter results by file type. By specifying the file type as "PDF," users can find websites that offer free PDF downloads on a specific topic. While downloading Mitsubishi Service Manual Obh549 free PDF files is convenient, its important to note that copyright laws must be respected. Always ensure that the PDF files you download are legally available for free. Many authors and publishers voluntarily provide free PDF versions of their work, but its essential to

be cautious and verify the authenticity of the source before downloading Mitsubishi Service Manual Obh549. In conclusion, the internet offers numerous platforms and websites that allow users to download free PDF files legally. Whether its classic literature, research papers, or magazines, there is something for everyone. The platforms mentioned in this article, such as Project Gutenberg, Open Library, Academia.edu, and Issuu, provide access to a vast collection of PDF files. However, users should always be cautious and verify the legality of the source before downloading Mitsubishi Service Manual Obh549 any PDF files. With these platforms, the world of PDF downloads is just a click away.

### **FAQs About Mitsubishi Service Manual Obh549 Books**

How do I know which eBook platform is the best for me? Finding the best eBook platform depends on your reading preferences and device compatibility. Research different platforms, read user reviews, and explore their features before making a choice. Are free eBooks of good quality? Yes, many reputable platforms offer high-quality free eBooks, including classics and public domain works. However, make sure to verify the source to ensure the eBook credibility. Can I read eBooks without an eReader? Absolutely! Most eBook platforms offer web-based readers or mobile apps that allow you to read eBooks on your computer, tablet, or smartphone. How do I avoid digital eye strain while reading eBooks? To prevent digital eye strain, take regular breaks, adjust the font size and background color, and ensure proper lighting while reading eBooks. What the advantage of interactive eBooks? Interactive eBooks incorporate multimedia elements, quizzes, and activities, enhancing the reader engagement and providing a more immersive learning experience. Mitsubishi Service Manual Obh549 is one of the best book in our library for free trial. We provide copy of Mitsubishi Service Manual Obh549 in digital format, so the resources that you find are reliable. There are also many Ebooks of related with Mitsubishi Service Manual Obh549. Where to download Mitsubishi Service Manual Obh549 online for free? Are you looking for Mitsubishi Service Manual Obh549 PDF? This is definitely going to save you time and cash in something you should think about.

### **Find Mitsubishi Service Manual Obh549 :**

[how to power down windows 8](#)

*how to make a maintenance report*

**how to reset blackberry bold 9780 to factory settings**

~~how to remove fisher plow wire harness~~

[how to have a successful life unshakable 7 secrets to know](#)

[how to quote someone in a paper](#)

~~[how to rebuild a marine starter](#)~~

*how to reset an htc incredible to factory default*

[how to get a jammed cd out of car stereo](#)

~~[how to replace ac fan motor capacitor](#)~~

[how to reset maintenance light on 2004 acura rsx](#)

**how to make papers longer**

[how to replace a torque converter](#)

[how to pay visa application fee in axis bank](#)

**how to reset mercedes headrest**

**Mitsubishi Service Manual Obh549 :**

**chapters eaa chapter 8** - Jul 02 2022

web welcome to our chapter whether you fly build restore or simply enjoy airplanes and aviation you are welcome to attend our events and join our chapter we are a group of

**eaa chapter 98ul newsletter chickasha wings inc thor byteorbit** - Jul 14 2023

web eaa chapter 98ul newsletter chickasha wings inc eaa chapter 98ul newsletter chickasha first solo eaa chapter 35 ray aviation scholarship tas the twin

*eaa chapter 98ul newsletter chickasha wings inc pdf* - May 12 2023

web chapter 98ul newsletter chickasha wings inc the glycemic index diet for dummies pirp mental health documentation

samples notes explore the bible study guide rehan

[eaa chapter 98ul newsletter chickasha wings inc download](#) - Nov 06 2022

web eaa chapter 98ul newsletter chickasha wings inc the glycemic in dex diet for dummies pirp mental health documentation samples notes explore the bible study guide rehan

**eaa chapter 98ul newsletter chickasha wings inc full pdf** - Aug 15 2023

web eaa chapter 98ul newsletter chickasha wings inc 1 eaa chapter 98ul newsletter chickasha wings inc this is likewise one of the factors by obtaining the soft documents

[eaa chapter 98ul newsletter chickasha wings inc full pdf](#) - Dec 27 2021

web it is not on the order of the costs its more or less what you dependence currently this eaa chapter 98ul newsletter chickasha wings inc as one of the most functioning sellers



*eea chapter 98ul newsletter chickasha wings inc pdf pdf* - Oct 05 2022

web apr 12 2023 it is not approaching the costs its just about what you infatuation currently this eea chapter 98ul newsletter chickasha wings inc pdf as one of the most

eea chapter 98ul newsletter chickasha wings inc tux sydgros - Feb 26 2022

web chapter 98ul newsletter chickasha wings inc the glycemic index diet for dummies pirp mental health documentation samples notes explore the bible study guide rehan

**eea chapter 98ul newsletter chickasha wings inc pdf pdf** - Mar 10 2023

web aug 14 2023 site to start getting this info acquire the eea chapter 98ul newsletter chickasha wings inc pdf pdf join that we find the money for here and check out the link

eea chapter 98ul newsletter chickasha wings inc pdf - Apr 11 2023

web jul 13 2023 acquire the eea chapter 98ul newsletter chickasha wings inc belong to that we manage to pay for here and check out the link you could buy lead eea chapter

eea chapter 98ul newsletter chickasha wings inc download - Oct 25 2021

web 2 eea chapter 98ul newsletter chickasha wings inc 2021 04 25 as well as search for them in some cases you epub eea chapter 98ul newsletter chickasha wings

*eea chapter 98ul newsletter chickasha wings inc 2022* - Mar 30 2022

web chapter 98ul newsletter chickasha wings inc eea chapter 98ul newsletter chickasha this is likewise one of the factors by obtaining the soft documents of this eea chapter

*eea chapter 98ul newsletter chickasha wings inc 2022* - Dec 07 2022

web eea chapter 98ul newsletter chickasha wings inc getting the books eea chapter 98ul newsletter chickasha wings inc now is not type of challenging means you could not

**eea chapter 98ul newsletter chickasha wings inc** - Jun 13 2023

web eea chapter 98ul newsletter chickasha wings inc 5 5 study guide maxima tutorial microeconomia teoria e page 4 8 eea chapter 98ul newsletter chickasha

**eea chapter 98ul newsletter chickasha wings inc wrbb neu** - Jan 28 2022

web publication eea chapter 98ul newsletter chickasha wings inc as competently as review them wherever you are now eea chapter 98ul newsletter chickasha wings inc 2020

eea chapter 908 experimental aircraft association - Apr 30 2022

web the eea chapter 908 is located on the grounds of the treasure coast international airport in sunny ft pierce florida we lease 3 acres from the airport on which we have 8 t

**eea chapter 98ul newsletter chickasha wings inc 2022** - Nov 25 2021

web as this eea chapter 98ul newsletter chickasha wings inc it ends taking place beast one of the favored book eea chapter 98ul newsletter chickasha wings inc collections that

**eea chapter 98ul newsletter chickasha wings inc** - Aug 03 2022

web jul 2 2023 eea chapter 98ul newsletter chickasha wings inc yeah reviewing a books eea chapter 98ul newsletter chickasha wings inc could be credited with your near

*chapters eea chapter 38* - Sep 23 2021

web welcome to our chapter whether you fly build restore or simply enjoy airplanes and aviation you are welcome to attend our events and join our chapter we are a group of

chapters eea chapter 88 - Jun 01 2022

web please send your dues to eea chapter 88 po box 780833 wichita ks 67278 0833 you can also click join renew on the left on this website contact us

eea chapter 98ul newsletter chickasha wings inc tunxis - Sep 04 2022

web mar 28 2023 april 14th 2018 big loda pic pdf free download here eea chapter 98ul newsletter chickasha wings inc chickashawings com files

*eea chapter 98ul newsletter chickasha wings inc download* - Jan 08 2023

web this eea chapter 98ul newsletter chickasha wings inc as one of the most enthusiastic sellers here will completely be among the best options to review find an eea chapter

eea chapter 98ul newsletter chickasha wings inc full pdf - Feb 09 2023

web eea chapter 98ul newsletter chickasha wings inc yeah reviewing a books eea chapter 98ul newsletter chickasha wings inc could build up your near contacts

**star wars le nouvel ordre jedi tome 1 vecteur prime** - Jun 19 2023

web aug 27 2005 premier tome du nouvel ordre jedi vecteur prime a pour principal mérite d amener sur le devant de la scène un nouvel ennemi les yuuzhan vietcong euh pardon yuuzhan vong il était temps

**le nouvel ordre jedi 1 vecteur prime critique du roman star wars** - Jul 08 2022

web publiée le 04 mai 2020 vecteur prime est le premier tome de ce qui reste encore aujourd'hui la série de romans star wars la plus ambitieuse le nouvel ordre jedi l origine de la série le nouvel ordre jedi remonte à 1997 quand lucasfilm ltd négocie un nouveau contrat de publication littéraire avec l éditeur del rey

**nouvel ordre jedi star wars wiki fandom** - Apr 05 2022

web le nouvel ordre jedi aussi connu sous le nom d ordre jedi était issu de la restauration et de la réforme de l organisation

jedi précédente l ordre jedi à la suite de la grande purge jedi qui vit la disparition de la plupart de ses membres cette reformation ne fut possible qu après la chute

**the new jedi order vector prime wookieepedia fandom** - Sep 22 2023

web sci fi the new jedi order vector prime is a star wars legends novel written by r a salvatore it is the first volume in the series star wars the new jedi order and it was first published on october 5 1999 by del rey the events of the novel are set in 25 aby and the story introduces the

**star wars le nouvel ordre jedi 1 vecteur prime amazon fr** - Apr 17 2023

web star wars le nouvel ordre jedi 1 vecteur prime broché grand livre 17 février 2000 vingt et un ans après son triomphe sur l empire la nouvelle république doit affronter un ennemi plus impitoyable encore

le nouvel ordre jedi vol 01 vecteur prime star wars holonet - Sep 10 2022

web le nouvel ordre jedi vol 01 vecteur prime accueil encyclopédie documents romans nouvelles e book vecteur prime est le premier tome de la série le nouvel

**star wars the new jedi order vector prime amazon fr** - Oct 11 2022

web star wars the new jedi order vector prime broché 6 juillet 2000 Édition en anglais de r a salvatore auteur 4 5 4 5 sur 5 mettre volontiers en avant la nouvelle génération était également une bonne idée en lire plus utile

**star wars le nouvel ordre jedi vecteur prime rakuten** - Aug 09 2022

web les meilleurs avis sur star wars le nouvel ordre jedi tome 1 vecteur prime de robert anthony salvatore format poche livre science fiction les avis publiés font l objet d un contrôle automatisé de rakuten

**star wars le nouvel ordre jedi tome 1 vecteur prime** - May 18 2023

web découvrez star wars le nouvel ordre jedi tome 1 vecteur prime de robert anthony salvatore sur booknode la communauté du livre

**télécharger star wars le nouvel ordre jedi tome 1 vecteur prime** - Mar 04 2022

web sep 12 2020 nouvel ordre jedi tome 1 vecteur prime vous vous sentirez à l aise lorsque vous lirez star wars le nouvel ordre jedi tome 1 vecteur prime ce chapitre est assez court mais cette brièveté témoigne de la facilité avec laquelle vous pouvez étendre vos connaissances

*le nouvel ordre jedi vecteur prime littérature rakuten* - Jan 14 2023

web jun 20 2011 le premier tome de la longue série du nouvel ordre jedi nous offre la présentation de nouveaux personnages aux caractères bien trempés on assiste également aux prémices d une transition intergénérationnelle

**star wars le nouvel ordre jedi 1 vecteur prime paperback** - Feb 15 2023

web feb 17 2000 amazon com star wars le nouvel ordre jedi 1 vecteur prime 9782258053335 salvatore r a books

**le nouvel ordre jedi wikipédia** - Jul 20 2023

web vecteur prime vector prime 25 ap by la marée des ténèbres i assaut dark tide i onslaught 25 ap by la marée des ténèbres ii naufrage dark tide ii ruin 25 ap by les agents du chaos i la colère d un héros agents of chaos i

**vecteur prime star wars wiki fandom** - Dec 13 2022

web vecteur prime titre original vector prime est le premier livre de la série littéraire le nouvel ordre jedi il a été écrit par r a salvatore et publié par del rey aux États unis en 1999

**star wars le nouvel ordre jedi tome 1 vecteur prime fnac** - Aug 21 2023

web star wars le nouvel ordre jedi tome 1 vecteur prime r a salvatore presses de la cite des milliers de livres avec la livraison chez vous en 1 jour ou en magasin avec 5 de réduction star wars le nouvel ordre jedi tome 1 vecteur prime r a salvatore broché achat livre fnac

star wars le nouvel ordre jedi tome 1 vecteur prime - Jun 07 2022

web sep 14 2009 star wars le nouvel ordre jedi vecteur prime star wars le nouvel ordre jedi tome 1 vecteur prime robert anthony salvatore no ti ce établ ie par dec itr e li brai re collection star wars format poche 485 pages voir le descriptif 5 9 avis vous en avez un à vendre vendez le vôtre filtrer par voir les formats voir les

*star wars le nouvel ordre jedi 1 vecteur prime open library* - Mar 16 2023

web feb 17 2000 star wars the new jedi order vector prime by r a salvatore february 17 2000 presses de la cité edition paperback in french français

star wars le nouvel ordre jedi tome 1 poche decitre - Nov 12 2022

web jan 1 2001 vecteur prime r a salvatore jean marc toussaint traducteur note moyenne donner le premier avis un boutefeufeu nom anor sème la discorde à des fins inavouables la nouvelle république assure la liberté de tous elle doit aussi préserver la paix alors lire la suite 5 95 neuf poche 5 95 grand format 18 50 voir tous les

**le nouvel ordre jedi encyclopédie star wars holonet** - May 06 2022

web le nouvel ordre jedi vol 01 vecteur prime le nouvel ordre jedi vol 02 la marée des ténèbres i assaut le nouvel ordre jedi vol 03 la marée des ténèbres ii naufrage le

**vecteur prime star wars le nouvel ordre jedi goodreads** - Oct 23 2023

web star wars the new jedi order 1 vecteur prime r a salvatore 3 83 15 708 ratings542 reviews twenty one years have passed since the heroes of the rebel alliance destroyed the death star breaking the power of the emperor since then the new republic has valiantly struggled to maintain peace and prosperity among the peoples of the galaxy

**pltw engineering ntroduction to engineering design ourse utline** - Aug 17 2023

web introduction to engineering design ied is a high school level foundation course in the pltw engineering program in ied

students are introduced to the engineering profession and a common approach to the solution of engineering

*pltw awards introduction to engineering design* - May 02 2022

web aug 24 2016 principles of engineering pltw 8 2016 page 4 of 4 domain careers core standard 9 students assess the education training and certification needed for careers in engineering and engineering technology for potential career choices standards poe 10 1 conduct research on the current and future outlook for engineering and

**high school engineering curriculum grades 9 12** - Dec 09 2022

web introduction to pltw engineering courses ap level concepts 21 st century skills introduction to engineering design unit 1

introduction to design lessons design process please note prerequisites for each pltw course listed in the course guide

**introduction to engineering design pltw cte resource** - Apr 13 2023

web in this foundation course in project lead the way pltw students use 3d computer modeling software as they learn the engineering design process and solve design problems for which they develop analyze and create product models

*pltw principles of engineering course framework* - Oct 07 2022

web geometric solids notes for pltw the engineering and design process guideline 3 related documents 3 1 1 outbreak

laboratory report 1 1 1 5 1 activity 1 1 5 1 gears pltw introduction to engineering design cte 100 1 9 2023 10 24 6 48 pm

office lens pltw introduction to engineering design cte none 1

**plt engineering introduction to engineering design course utline** - Dec 29 2021

web in this capstone course in project lead the way pltw teams of students guided by community mentors work together to research design and construct solutions to engineering problems students synthesize knowledge skills and abilities through an authentic engineering experience

[bookmark file pdf pltw introduction to engineering design](#) - Jan 30 2022

web jun 23 2020 plt engineering introduction to engineering design course utline bmur 2020 ba xrpc rmq fvr imh p y engineers make a world of difference students apply the engineering design process using math science and engineering standards to identify and design mechanical solutions to a variety of real problems they work both

*3 4 a linear dimensions activity 3 linear dimensions studocu* - Sep 06 2022

web pltw engineering 9 through 12 pltw biomedical science 9 through 12 pltw algebra 1 advantage plan for pltw plan for pltw investment funding grants introduction to engineering design computer science 3 min pltw alumnus gives back by sharing career insights read more engineering

**engineering design and development pltw cte resource** - Nov 27 2021

*project lead the way pltw introduction to engineering* - Mar 12 2023

web course description introduction to engineering design ied is an activity project problem based course designed to build on foundational engineering concepts with an emphasis on the application of modeling in the engineering design process to

**pltw introduction to engineering design cte studocu** - Oct 19 2023

web studying pltw introduction to engineering design cte in honors on studocu you will find 26 assignments 17 class notes 10 essays and much more for

introduction to engineering design smu - Jun 03 2022

web pltw engineering 9 through 12 pltw biomedical science 9 through 12 pltw algebra 1 advantage plan for pltw plan for pltw investment funding grants introduction to engineering design engineering design and development 3 min pltw alumnus spotlight eduardo seyffert read more

**introduction to engineering design at a glance lamar cisd** - Jan 10 2023

web ied 1 1 a the student will apply engineering notebook standards and protocols when documenting their work during the school year disciplines of engineering 5 days 21st century skills pltw does not have this on their out of date teks but career exploration is part of 21st century skills and standard work for an intro level cte course

pltw engineering rinciples of ngineering ourse utline - Feb 28 2022

web pltw introduction to engineering design author blogs post gazette com 2023 11 13t00 00 00 01 subject pltw

introduction to engineering design keywords pltw introduction to engineering design created date 11 13 2023 6 34 48 pm

*principles of engineering pltw* - Apr 01 2022

web principles of engineering poe is a foundation course of the high school engineering pathway this survey course exposes students to some of the major concepts that they will encounter in a postsecondary engineering course of study through problems that engage and challenge students explore a broad range of engineering topics

*principles of engineering pltw cte resource* - Jul 04 2022

web 2 identify design constraints the engineer must also develop a list of constraints that the design must meet in order to be useful constraints are requirements that limit how engineers design their products cost design time and available materials

are among the most frequent constraints for example a cell phone with many

*pltw introduction to engineering design course framework* - Jun 15 2023

web pltw introduction to engineering design course framework pltw framework overview pltw frameworks are representations of the knowledge skills and understandings that empower students to thrive in an evolving world the pltw frameworks define the scope of learning and instruction within the pltw curricula

*introduction to engineering ied detailed outline mvrop* - Jul 16 2023

web an engineering design process involves a characteristic set of practices and steps identify and define the terminology

used in engineering design and development identify the steps in an engineering design process and summarize the  
[pltw introduction to engineering design gbs engineering](#) - Feb 11 2023

web introduction to engineering design is one of the foundation courses in the project lead the way high school pre  
engineering program the course applies and concurrently develops secondary level knowledge and skills in mathematics  
science and technology

[introduction to](#) - Nov 08 2022

web explain that engineering disciplines continue to evolve and emerge as new interdisciplinary fields or sub disciplines to  
better meet the needs of society examples include aerospace engineering biomedical engineering environmental engineering  
computer engineering structural engineering and water resource engineering car a 2

**1 5 a deep dive guided notes activity 1 the deep dive** - May 14 2023

web activity 1 the deep dive guided notes complete the notes and answer the questions that follow as you watch the deep  
dive from the buildings in which we live and work to the cars we drive or the knives and forks with which we eat everything  
we use was designed to create some sort of marriage between and

[introduction to engineering design course outline](#) - Sep 18 2023

web introduction to engineering design ied is a high school engineering course in the pltw engineering program in ied  
students explore engineering tools and apply a common approach to the solution of engineering problems an

**blog introduction to engineering design pltw org** - Aug 05 2022

web in this project lead the way pltw course students explore the engineering profession and the fundamental aspects of  
engineering problem solving students study the historical and current impacts of engineering on society including ethical  
implications