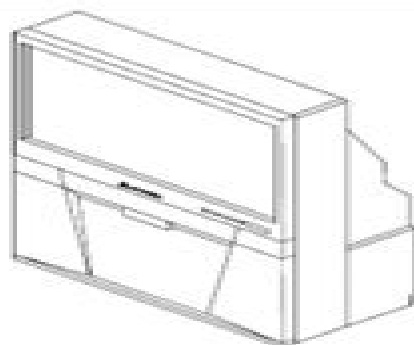


Service Manual

PROJECTION TELEVISION

V23 / V23+ / V23++ / V23+++ CHASSIS

WS-48613

V23 MODELS

WS-48513
 WS-55513
 WS-65513
 WS-73513

V23+ MODELS

WS-48613
 WS-55613
 WS-65613

V23++ MODELS

WS-65713
 WS-73713

V23+++ MODELS

WS-55813
 WS-65813

CAUTION:

Before servicing this chassis, it is important that the service person read the "SAFETY PRECAUTIONS" and "PRODUCT SAFETY NOTICE" contained in this manual.

SPECIFICATIONS

- | | | | |
|---|---|---------------------|---|
| • Power Input | : AC 120V, 60Hz | • Input Level | : VIDEO IN JACK (RCA Type)
1.0Vp-p 75Ω unbalanced |
| • Power Usage | : 275W
300W [WS-65813/ WS-73513/
WS-73713 only] | | : AUDIO IN JACK (RCA Type)
-4.7dBm 49kΩ unbalanced |
| • Frequency Range | : VHF 54 - 470MHz
UHF 470 - 806MHz | | : S-VIDEO IN JACK
(Y/C separate type)
Y: 1.0 Vp-p C-0.286Vp-p(BURST)
75Ω unbalanced |
| • Antenna Input | : VHF/UHF 75Ω unbalanced
2 - NTSC
1 - ATVDAM | | : COMP / Y, Cr, Cb (RCA Type)
Y: 1.0 Vp-p Cr, Cb: 700mVp-p
: ATV / Y(G), Pr(R), Pb(B), H, V
Y: 1.0Vp-p with sync 75Ω (BNC)
Pr, Pb: 700mV 75Ω
H, V: 3.0Vp-p 75Ω |
| • CRT Size | : [7 inches]
: [9 inches] WS-65813/ WS-73513/
WS-73713 only | | : VGA / R, G, B, V, H (15 pin D)
: VIDEO OUT JACK (RCA Type)
1.0Vp-p 75Ω unbalanced |
| • High Voltage | : 32.0kV (at 0A) | | : AUDIO OUT JACK (RCA Type)
-4.7dBm 4.7kΩ unbalanced |
| • Cabinet Weight and Dimensions (Refer to page 5) | | • Output Level | : IEEE-1394 I/O Jacks
: AC-3 Digital Audio Output
: MonitorLink™ iDVI
: MonitorLink™ Control/RS-232C
: 4 Memory Card Reader Inputs |
| • Speakers (8 Ohms 10W) | : 2-5" full range [WS-48513 / WS-48613]
: 2-6" full range [WS-55513 / WS-65513 / WS-73513]
: 2-6" coaxials [WS-55613 / WS-65613]
: 2-6" woofers/
2-1.5" tweeters [WS-65713 / WS-73713]
: 2-5"x7" coaxial [WS-55813 / WS-65813] | • Digital Interface | |
| • Design specifications are subject to change without notice. | | | |

MITSUBISHI DIGITAL ELECTRONICS AMERICA, INC.

9351 Jeronimo Road, Irvine, CA 92618-1904

Copyright © 2003 Mitsubishi Digital Electronics America, Inc.

All Rights Reserved

Mitsubishi Ws 65813 Manual

C Cleary



Mitsubishi Ws 65813 Manual:

Mitsubishi I-MiEV, 2010 **Mitsubishi Eclipse & Eagle Talon Automotive Repair Manual** Alan Ahlstrand, John Harold Haynes, 2002-01-01 Inside this manual the reader will learn to do routine maintenance tune up procedures engine repair along with aspects of your car such as cooling and heating air conditioning fuel and exhaust emissions control ignition brakes suspension and steering electrical systems wiring diagrams *Mitsubishi Pajero Automotive Repair Manual* Larry Warren, John Harold Haynes, 2005 Series NL NM NP NS NT with 3 0L 3 5L 3 8L petrol engines and 2 8L 3 2L diesel engines

Chilton's Mitsubishi Eclipse 1990-93 Repair Manual, 1993 Today's technologies are a world apart from the cars of a generation ago That's why Chilton created a new breed of model specific repair manuals so comprehensive they set the standard Written in response to consumer studies they give your customers exactly what they want and need in specific automotive information Total Car Care provides the amateur mechanic with two essential ingredients In depth information on all systems from headlights to exhaust Complete easy to follow illustrated procedural directions for disassembly removal replacement and reinstallation Each volume lives up to its name with total information including Photographs and illustrations throughout Diagnostic and troubleshooting sections throughout Actual wiring and vacuum diagrams Complete electronic controls information Tune up specs and maintenance schedules Emissions controls data environmental and safety information Mitsubishi Eclipse & Eagle Talon 1995 thru 2005 John H Haynes, 2008-06-30 Haynes offers the best coverage for cars trucks vans SUVs and motorcycles on the market today Each manual contains easy to follow step by step instructions linked to hundreds of photographs and illustrations Included in every manual troubleshooting section to help identify specific problems tips that give valuable short cuts to make the job easier and eliminate the need for special tools notes cautions and warnings for the home mechanic color spark plug diagnosis and an easy to use index *Mitsubishi Operator's Manual*, 1997

Mitsubishi Operator's Manual, 1997 Mitsubishi Audio Systems, 2009 *Mitsubishi L 300 Express* GREGORY'S., 1984

Mitsubishi Verada Operator's Manual, 1996

Uncover the mysteries within is enigmatic creation, **Mitsubishi Ws 65813 Manual** . This downloadable ebook, shrouded in suspense, is available in a PDF format (Download in PDF: *). Dive into a world of uncertainty and anticipation. Download now to unravel the secrets hidden within the pages.

<https://staging.conocer.cide.edu/public/book-search/HomePages/Konsulskaiia%20Sluzhba%20Uchebnoe%20Posobie.pdf>

Table of Contents Mitsubishi Ws 65813 Manual

1. Understanding the eBook Mitsubishi Ws 65813 Manual
 - The Rise of Digital Reading Mitsubishi Ws 65813 Manual
 - Advantages of eBooks Over Traditional Books
2. Identifying Mitsubishi Ws 65813 Manual
 - Exploring Different Genres
 - Considering Fiction vs. Non-Fiction
 - Determining Your Reading Goals
3. Choosing the Right eBook Platform
 - Popular eBook Platforms
 - Features to Look for in an Mitsubishi Ws 65813 Manual
 - User-Friendly Interface
4. Exploring eBook Recommendations from Mitsubishi Ws 65813 Manual
 - Personalized Recommendations
 - Mitsubishi Ws 65813 Manual User Reviews and Ratings
 - Mitsubishi Ws 65813 Manual and Bestseller Lists
5. Accessing Mitsubishi Ws 65813 Manual Free and Paid eBooks
 - Mitsubishi Ws 65813 Manual Public Domain eBooks
 - Mitsubishi Ws 65813 Manual eBook Subscription Services
 - Mitsubishi Ws 65813 Manual Budget-Friendly Options
6. Navigating Mitsubishi Ws 65813 Manual eBook Formats

- ePub, PDF, MOBI, and More
 - Mitsubishi Ws 65813 Manual Compatibility with Devices
 - Mitsubishi Ws 65813 Manual Enhanced eBook Features
7. Enhancing Your Reading Experience
 - Adjustable Fonts and Text Sizes of Mitsubishi Ws 65813 Manual
 - Highlighting and Note-Taking Mitsubishi Ws 65813 Manual
 - Interactive Elements Mitsubishi Ws 65813 Manual
 8. Staying Engaged with Mitsubishi Ws 65813 Manual
 - Joining Online Reading Communities
 - Participating in Virtual Book Clubs
 - Following Authors and Publishers Mitsubishi Ws 65813 Manual
 9. Balancing eBooks and Physical Books Mitsubishi Ws 65813 Manual
 - Benefits of a Digital Library
 - Creating a Diverse Reading Collection Mitsubishi Ws 65813 Manual
 10. Overcoming Reading Challenges
 - Dealing with Digital Eye Strain
 - Minimizing Distractions
 - Managing Screen Time
 11. Cultivating a Reading Routine Mitsubishi Ws 65813 Manual
 - Setting Reading Goals Mitsubishi Ws 65813 Manual
 - Carving Out Dedicated Reading Time
 12. Sourcing Reliable Information of Mitsubishi Ws 65813 Manual
 - Fact-Checking eBook Content of Mitsubishi Ws 65813 Manual
 - Distinguishing Credible Sources
 13. Promoting Lifelong Learning
 - Utilizing eBooks for Skill Development
 - Exploring Educational eBooks
 14. Embracing eBook Trends
 - Integration of Multimedia Elements
 - Interactive and Gamified eBooks

Mitsubishi Ws 65813 Manual Introduction

In today's digital age, the availability of Mitsubishi Ws 65813 Manual books and manuals for download has revolutionized the way we access information. Gone are the days of physically flipping through pages and carrying heavy textbooks or manuals. With just a few clicks, we can now access a wealth of knowledge from the comfort of our own homes or on the go. This article will explore the advantages of Mitsubishi Ws 65813 Manual books and manuals for download, along with some popular platforms that offer these resources. One of the significant advantages of Mitsubishi Ws 65813 Manual books and manuals for download is the cost-saving aspect. Traditional books and manuals can be costly, especially if you need to purchase several of them for educational or professional purposes. By accessing Mitsubishi Ws 65813 Manual versions, you eliminate the need to spend money on physical copies. This not only saves you money but also reduces the environmental impact associated with book production and transportation. Furthermore, Mitsubishi Ws 65813 Manual books and manuals for download are incredibly convenient. With just a computer or smartphone and an internet connection, you can access a vast library of resources on any subject imaginable. Whether you're a student looking for textbooks, a professional seeking industry-specific manuals, or someone interested in self-improvement, these digital resources provide an efficient and accessible means of acquiring knowledge. Moreover, PDF books and manuals offer a range of benefits compared to other digital formats. PDF files are designed to retain their formatting regardless of the device used to open them. This ensures that the content appears exactly as intended by the author, with no loss of formatting or missing graphics. Additionally, PDF files can be easily annotated, bookmarked, and searched for specific terms, making them highly practical for studying or referencing. When it comes to accessing Mitsubishi Ws 65813 Manual books and manuals, several platforms offer an extensive collection of resources. One such platform is Project Gutenberg, a nonprofit organization that provides over 60,000 free eBooks. These books are primarily in the public domain, meaning they can be freely distributed and downloaded. Project Gutenberg offers a wide range of classic literature, making it an excellent resource for literature enthusiasts. Another popular platform for Mitsubishi Ws 65813 Manual books and manuals is Open Library. Open Library is an initiative of the Internet Archive, a non-profit organization dedicated to digitizing cultural artifacts and making them accessible to the public. Open Library hosts millions of books, including both public domain works and contemporary titles. It also allows users to borrow digital copies of certain books for a limited period, similar to a library lending system. Additionally, many universities and educational institutions have their own digital libraries that provide free access to PDF books and manuals. These libraries often offer academic texts, research papers, and technical manuals, making them invaluable resources for students and researchers. Some notable examples include MIT OpenCourseWare, which offers free access to course materials from the Massachusetts Institute of Technology, and the Digital Public Library of America, which provides a vast collection of digitized books and historical documents. In conclusion, Mitsubishi Ws 65813 Manual books and manuals for download have

transformed the way we access information. They provide a cost-effective and convenient means of acquiring knowledge, offering the ability to access a vast library of resources at our fingertips. With platforms like Project Gutenberg, Open Library, and various digital libraries offered by educational institutions, we have access to an ever-expanding collection of books and manuals. Whether for educational, professional, or personal purposes, these digital resources serve as valuable tools for continuous learning and self-improvement. So why not take advantage of the vast world of Mitsubishi Ws 65813 Manual books and manuals for download and embark on your journey of knowledge?

FAQs About Mitsubishi Ws 65813 Manual Books

How do I know which eBook platform is the best for me? Finding the best eBook platform depends on your reading preferences and device compatibility. Research different platforms, read user reviews, and explore their features before making a choice. Are free eBooks of good quality? Yes, many reputable platforms offer high-quality free eBooks, including classics and public domain works. However, make sure to verify the source to ensure the eBook credibility. Can I read eBooks without an eReader? Absolutely! Most eBook platforms offer web-based readers or mobile apps that allow you to read eBooks on your computer, tablet, or smartphone. How do I avoid digital eye strain while reading eBooks? To prevent digital eye strain, take regular breaks, adjust the font size and background color, and ensure proper lighting while reading eBooks. What the advantage of interactive eBooks? Interactive eBooks incorporate multimedia elements, quizzes, and activities, enhancing the reader engagement and providing a more immersive learning experience. Mitsubishi Ws 65813 Manual is one of the best book in our library for free trial. We provide copy of Mitsubishi Ws 65813 Manual in digital format, so the resources that you find are reliable. There are also many Ebooks of related with Mitsubishi Ws 65813 Manual. Where to download Mitsubishi Ws 65813 Manual online for free? Are you looking for Mitsubishi Ws 65813 Manual PDF? This is definitely going to save you time and cash in something you should think about.

Find Mitsubishi Ws 65813 Manual :

[konsulskaja sluzhba uchebnoe posobie](#)

[knaipi lvova](#)

klassische dramen und epen

[kniga ekzotichnikh sniv ta realnikh podii noveli](#)

klettersteig n limestone alps

knights before the game 19931994 a transitional year

knives military edged tools and weapons

kommentarii k federalnomu zakonu o gosudarstvennoi sudebnoekspertnoi deiatelnosti v robiiskoi federatsii

kodanshas pocket romanized japaneseenglish dictionary asian ed

kluane national park hiking guide

konig der lowen

klemers counseling in marital and sexual problems a clinicians handbook

know your aquarium

klinton gambit star trek numbered paperback

knapsack guide to disneyland paris

Mitsubishi Ws 65813 Manual :

cay horstmann java for everyone solutions - Apr 11 2023

web using the unified modeling language uml methodology expert cay s horstmann gives you clear concise explanations of object oriented design c and java in a way that makes these potentially daunting operations more accessible than they ve ever been before

free solutions for java for everyone 2nd edition quizlet - Jan 28 2022

web find step by step solutions and answers to java for everyone 9781118063316 as well as thousands of textbooks so you can move forward with confidence

cay horstmann java for everyone solutions pdf - May 12 2023

web cay horstmann java for everyone solutions java for everyone may 13 2023 java for everyone 2e compatible with java 5 6 and 7 binder ready version comp set mar 31 2022 wileyplus v5 card for java for everyone 2e may 09 2020 java for everyone 2e compatible with java 5 6 and 7 with wileyplus blackboard card feb 27 2022

wiley school solutions - Jul 02 2022

web java concepts late objects 3rd edition high school binding by cay s horstmann the third edition of java concepts late objects formerly java for everyone provides an approachable introduction to fundamental programming techniques and design skills helping students master basic concepts and become competent coders learn more

java for everyone cay s horstmann google books - Mar 10 2023

web feb 2 2010 java for everyone cay s horstmann john wiley sons feb 2 2010 computers 515 pages programmers computer scientists and engineers need a book that delivers the essentials of how to

java for everyone by cay s horstmann open library - Dec 27 2021

web java for everyone by cay s horstmann 2012 john wiley sons edition in english 2nd ed it looks like you re offline donate
Čeština cs deutsch de english en java for everyone compatible with java 5 6 and 7 2nd ed by cay s horstmann 0 ratings

java for everyone by cay s horstmann open library - Mar 30 2022

web nov 21 2008 java for everyone by cay s horstmann november 21 2008 john wiley sons inc edition paperback in english it
looks like you re offline donate Čeština cs an edition of java for everyone 2008 java for everyone by cay s horstmann 0 ratings
1 want to read

java for everyone by cay s horstmann goodreads - Oct 05 2022

web jan 8 1991 cay s horstmann 3 95 60 ratings4 reviews programmers computer scientists and engineers need a book that
delivers the essentials of how to program using java in a more accessible less rigorous approach java for everyone provides
them with a more user friendly graphics intensive design that conveys complex concepts simply and

wiley school solutions - Feb 09 2023

web java concepts late objects 3rd edition high school binding by cay s horstmann 978 1 119 37758 0 about the third edition
of java concepts late objects formerly java for everyone provides an approachable introduction to fundamental programming
techniques and design skills helping students master basic concepts and become competent coders

horstmann java for everyone instructor companion site - Jun 13 2023

web cay horstmann s wileyplus video screencast code testbank requires microsoft office viewer review and programming
solutions requires microsoft office viewer lecture slides art powerpoints

java for everyone amazon co uk horstmann cay s - Jun 01 2022

web buy java for everyone by horstmann cay s isbn 9780471791911 from amazon s book store everyday low prices and free
delivery on eligible orders

horstmann java concepts solutions - Sep 04 2022

web horstmann java concepts solutions 1 horstmann java concepts solutions cay horstmann feature evolution in java 13 and
beyond 4 5 java creating book class java oop objects classes setters getters java concurrency a nother peek under the hood
java 1 objectorientedprogramming java 1 spring 2020 chapter 1 cay

java for everyone horstmann - Jan 08 2023

web big java late objects 1st edition java for everyone 2nd edition isbn 978 1 1180 8788 6 isbn 978 1 1180 6331 6 cay s
horstmann san jose state university support materials companion sites for instructors and students wiley s showcase site for
the interactive edition java for everyone first edition

java for everyone ebok cay s horstmann 9781118214244 - Apr 30 2022

web java for everyone 2nd edition is a comprehensive introduction to java and computer programming which focuses on the principles of programming software engineering and effective learning it is designed for a one semester mixed major first **java for everyone horstmann cay s 1959 free download** - Nov 06 2022

web compatible with java 5 6 7 p 1 cover includes bibliographical references and index **cay horstmann s home page** - Dec 07 2022

web big java brief java former title java concepts big java late objects java concepts late objects big c brief c former title c for everyone python for everyone updated core java for the impatient java se 8 for the really impatient core javaserver faces oo design patterns practical object oriented development with **core java horstmann** - Feb 26 2022

web about the authors cay s horstmann has written many books on c java and object oriented development is the series editor for core books at prentice hall and a frequent speaker at computer industry conferences for four years cay was vp and cto of an internet startup that went from 3 people in a tiny office to a public company

java for everyone by cay s horstmann goodreads - Aug 03 2022

web jan 8 1991 programmers computer scientists and engineers need a book that delivers the essentials of how to program using java in a more accessible less rigorous approach java for everyone provides them with a more user friendly graphics intensive design that conveys complex concepts simply and effectively

java for everyone 2nd edition textbook solutions chegg com - Jul 14 2023

web our interactive player makes it easy to find solutions to java for everyone 2nd edition problems you re working on just go to the chapter for your book hit a particularly tricky question bookmark it to easily review again before an exam

[java for everyone horstmann](#) - Aug 15 2023

web welcome to the web page for java for everyone isbn 978 0 470 79191 1 cay s horstmann san jose state university support materials companion sites for instructors and students

applied plastics engineering handbook 2nd edition - Jul 14 2023

web description applied plastics engineering handbook processing sustainability materials and applications third edition presents the fundamentals of plastics

applied plastics engineering handbook processing and - Aug 03 2022

web applied plastics engineering handbook processing materials and applications third edition presents the fundamentals of plastics engineering helping bring readers up to

applied plastics engineering handbook processing and materials - Oct 05 2022

web summary a practical reference for all plastics engineers who are seeking to answer a question solve a problem reduce a

cost improve a design or fabrication process or

applied plastics engineering handbook 1st edition elsevier - Nov 06 2022

web jul 20 2011 applied plastics engineering handbook covers both polymer basics helpful to bring readers quickly up to speed if they are not familiar with a particular area

applied plastics engineering handbook researchgate - Apr 30 2022

web jan 1 2011 roger rothon rothon consultants abstract and figures additives are crucial to the successful application and proliferation of plastics small amounts of the

engineering thermoplastics materials properties trends - Jan 28 2022

web jan 1 2011 pdf over the last several decades thermoplastics have flour ished replacing traditional materials such as glass metal and wood today they are a

surface modification of plastics sciencedirect - Jun 01 2022

web jan 1 2011 applied plastics engineering handbook authors m kutz download citation citations 149 abstract the expert contributors to this new handbook demystify new

applied plastics engineering handbook google books - Oct 25 2021

pdf applied plastics engineering handbook researchgate - Mar 30 2022

web jan 1 2011 19 1 introduction thermoforming is a generic term that refers to a process that begins with an extruded sheet of plastic the process involves heating the plastic

applied plastics engineering handbook google books - Feb 09 2023

web applied plastics engineering handbook processing materials and applications edition 2 ebook written by myer kutz read this book using google play books app on

applied plastics engineering handbook processing materials - Apr 11 2023

web 1 engineering thermoplastics materials properties trends 2 polyolefins 3 introduction to fluoropolymers 4 poly vinyl chloride 5 thermoplastic elastomers 6

[applied plastics engineering handbook google books](#) - May 12 2023

web sep 29 2016 applied plastics engineering handbook processing materials and applications second edition covers both the polymer basics that are helpful to bring

applied plastics engineering handbook processing - Jul 02 2022

web jan 1 2017 this chapter gives an overview of different methods for improving surface properties of plastics plastics are inherently hydrophobic low surface energy materials

[kutz m ed applied plastics engineering handbook processing](#) - Nov 25 2021

web sep 29 2016 applied plastics engineering handbook processing materials and applications second edition covers both the polymer basics that are helpful to bring

applied plastics engineering handbook processing materials - Dec 07 2022

web jul 20 2011 applied plastics engineering handbook covers both polymer basics helpful to bring readers quickly up to speed if they are not familiar with a particular area

[applied plastics engineering handbook sciencedirect](#) - Aug 15 2023

web applied plastics engineering handbook covers both polymer basics helpful to bring readers quickly up to speed if they are not familiar with a particular area of plastics

[applied plastics engineering handbook 3rd edition elsevier](#) - Jun 13 2023

web sep 15 2016 applied plastics engineering handbook processing materials and applications second edition covers both the polymer basics that are helpful to bring

applied plastics engineering handbook sciencedirect - Sep 16 2023

web book description applied plastics engineering handbook processing materials and applications second edition covers both the polymer basics that are helpful to bring

applied plastics engineering handbook processing materials - Mar 10 2023

web oct 1 2023 applied plastics engineering handbook processing sustainability materials and applications third edition presents the fundamentals of plastics

pdf applied plastics engineering handbook researchgate - Dec 27 2021

web oct 15 2011 applied plastics engineering handbook covers both polymer basics helpful to bring readers quickly up to speed if they are not familiar with a particular area

[thermoforming sciencedirect](#) - Feb 26 2022

web jan 1 2017 processing aids facilitate the melt processing of plastics and fabrication of plastic parts stabilizers and antioxidants extend service life and increase the stability

applied plastics engineering handbook processing materials - Jan 08 2023

web oct 13 2016 applied plastics engineering handbook processing materials and applications second edition covers both the polymer basics that are helpful to bring

applied plastics engineering handbook processing and materials - Sep 04 2022

web isbn 978 1 4377 3514 7 574 pages 1st edition 265 00 summary table of contents about author the expert contributors to this new handbook demystify new technologies

art oracles creative life inspiration from the great artists - Dec 16 2021

web be guided and inspired by the world s greatest artists with this creative set of oracle cards are you suffering from creative block struggling to make a difficult life decision

art oracles creative life inspiration from the great artists - Aug 04 2023

web art oracles creative life inspiration from the great artists cards tylevich katya and sommer christensen mikkell kartlar İngilizce baskı 625 değerlendirme tüm biçimleri ve

art oracles creative life inspiration abebooks - Oct 26 2022

web simply select an artist s card from the pack select the oracles advice on life work or inspiration and any obstacle becomes surmountable contains 50 oracle cards plus a

art oracles creative life inspiration from the great artists - May 01 2023

web art oracles creative life inspiration from great artists kahlo and other great artists would have done simply select an artist s card from the pack select the oracles

art oracles creative life inspiration from great artists - Mar 31 2023

web find out what picasso pollock kahlo and other great artists would have done simply select an artist s card from the pack select the oracle s advice on life work or

art oracles creative life inspiration from the great artists - Jul 23 2022

web nov 13 2017 magic written by kayla tylevich and illustrated by mikel sommer it s a beautiful deck gold foiled no less that has the ability to be light and yet serious enough

art oracles creative life inspiration from the great artists - Feb 15 2022

web buy art oracles creative and life inspiration from the great artists by katya tylevich mikkell sommer online at alibris we have new and used copies available in 1 editions

art oracles laurence king publishing uk - Feb 27 2023

web art oracles creative life inspiration from great artists tylevich katya published by laurence king publishing 2017 isbn 10 1786270137 isbn 13 9781786270139 new

art oracles creative and life inspiration from the great artists - Jan 17 2022

web aug 7 2017 ua 204021962 1 ua 204021962 2 ua 204021962 3 skip to main content toggle menu compare search sign in or register cart

art oracles creative life inspiration from the great artists - Jul 03 2023

web this item art oracles creative life inspiration from the great artists 26 96 26 96 only 4 left in stock more on the way ships from and sold by amazon au music

art oracles creative and life inspiration from 50 artists - Nov 26 2022

web art oracles creative life inspiration from the great artists by tylevich katya and a great selection of related books art and collectibles available now at abebooks co uk

amazon com customer reviews art oracles creative amp life - Apr 19 2022

web jul 1 2017 booktopia has art oracles creative life inspiration from the great artists by katya tylevich buy a discounted card or card deck of art oracles online from

combat creative block with life lessons from - Jun 02 2023

web this item art oracles creative life inspiration from the great artists s 26 49 s 26 49 in stock ships from and sold by amazon sg music oracles creative life

review art oracles creative life inspiration from the great artists - Jun 21 2022

web art oracles creative life inspiration from the great artists be guided and inspired by the world s greatest artists with this creative set of oracle cards are you suffering from

art oracles creative and life inspiration from 50 artists - Dec 28 2022

web aug 28 2017 art oracles creative and life inspiration from 50 artists 50 by katya tylevich mikkel sommer christensen illustrator view more 16 99 16 99 learn

art oracles creative life inspiration from the great - Sep 05 2023

web buy art oracles creative life inspiration from the great artists 1 by tylevich katya sommer christensen mikkel isbn 9781786270139 from amazon s book store

art oracles creative life inspiration from great artists - Nov 14 2021

art oracles creative life inspiration from the great artists - May 21 2022

web nov 12 2022 each card has three little blurbs on it pithy insights on how to approach work life and creativity in the spirit of the artist depicted one thing i liked about this

art oracles creative life inspiration from great artists - Oct 06 2023

web aug 8 2017 art oracles creative life inspiration from great artists cards august 8 2017 by katya tylevich author mikkel sommer christensen illustrator 4 7 4 7 out

art oracles creative life inspiration from great artists - Jan 29 2023

web art oracles creative and life inspiration from 50 artists tylevich katya christensen mikkel sommer 9781786270139 music oracles creative life inspiration from

art oracles creative and life inspiration from 50 artists bookshop - Aug 24 2022

web jul 1 2017 be guided and inspired by the world s greatest artists with this creative set of oracle cards are you suffering from creative block struggling to make a difficult life

art oracles creative life inspiration from the great artists by - Mar 19 2022

web be guided and inspired by the world s greatest artists with this creative set of oracle cards are you suffering from creative block struggling to make a difficult life decision

art oracles creative and life inspiration from the great artists - Sep 24 2022

web aug 8 2017 find out what picasso pollock kahlo and other great artists would have done simply select an artist s card from the pack select the oracles advice on life