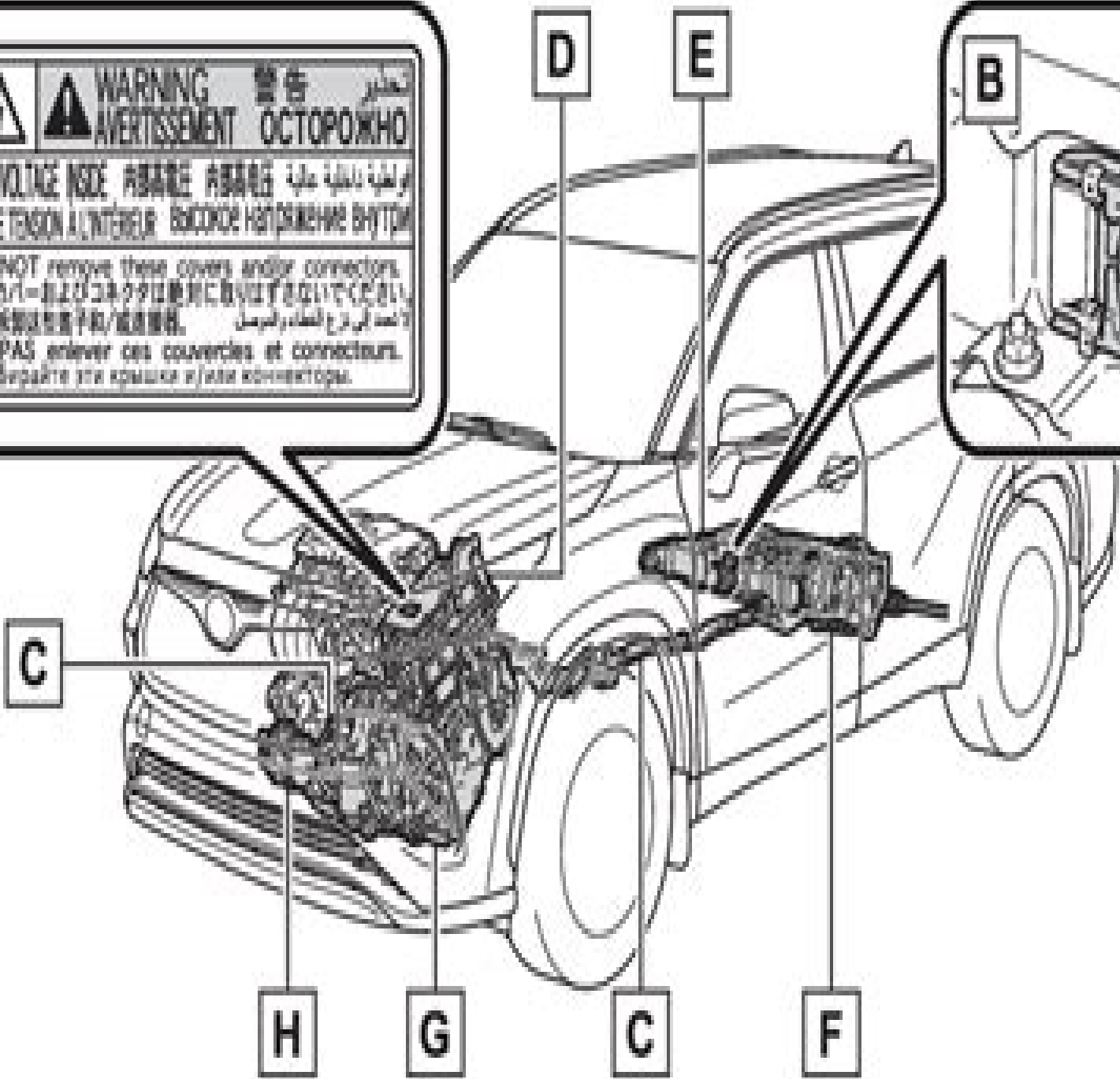
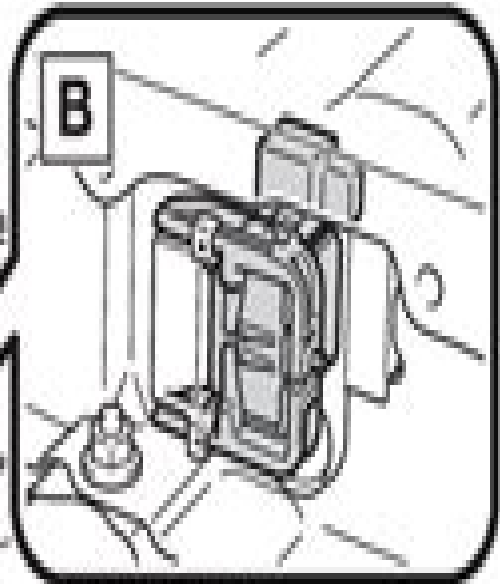


A

	WARNING	警告	تحذير
	AVERTISSEMENT	ОСТОРОЖНО	
HIGH VOLTAGE INSIDE. REMOVE COVERS.			
HAUTE TENSION A L'INTERIEUR. ENLEVER LES COUVERTURES.			
DO NOT remove these covers and/or connectors.			
この車に - HV の部品は絶対に取外してはいけません。			
不要に部品を取り外す/接続しない。			
لا تبتعد عن هذه الغطاءات والموصلات.			
NE PAS enlever ces couvercles et connecteurs.			
не убирайте эти крышки и/или коннекторы.			



Maintenance How Long Battery Toyota Highlander Hybrid User Guide

Guillaume Favre



Maintenance How Long Battery Toyota Highlander Hybrid User Guide:

Thank you extremely much for downloading **Maintenance How Long Battery Toyota Highlander Hybrid User Guide**. Most likely you have knowledge that, people have seen numerous periods for their favorite books once this Maintenance How Long Battery Toyota Highlander Hybrid User Guide, but stop stirring in harmful downloads.

Rather than enjoying a good PDF gone a mug of coffee in the afternoon, instead they juggled taking into consideration some harmful virus inside their computer. **Maintenance How Long Battery Toyota Highlander Hybrid User Guide** is within reach in our digital library; an online admission to it is set as public, consequently you can download it instantly. Our digital library saves in multiple countries, allowing you to acquire the most less latency era to download any of our books later than this one. Merely said, the Maintenance How Long Battery Toyota Highlander Hybrid User Guide is universally compatible on any devices to read.

https://staging.conocer.cide.edu/public/virtual-library/index.jsp/makerere_university_mastersnadmisions_2015_2016.pdf

Table of Contents Maintenance How Long Battery Toyota Highlander Hybrid User Guide

1. Understanding the eBook Maintenance How Long Battery Toyota Highlander Hybrid User Guide
 - The Rise of Digital Reading Maintenance How Long Battery Toyota Highlander Hybrid User Guide
 - Advantages of eBooks Over Traditional Books
2. Identifying Maintenance How Long Battery Toyota Highlander Hybrid User Guide
 - Exploring Different Genres
 - Considering Fiction vs. Non-Fiction
 - Determining Your Reading Goals
3. Choosing the Right eBook Platform
 - Popular eBook Platforms
 - Features to Look for in a Maintenance How Long Battery Toyota Highlander Hybrid User Guide
 - User-Friendly Interface
4. Exploring eBook Recommendations from Maintenance How Long Battery Toyota Highlander Hybrid User Guide
 - Personalized Recommendations

- Maintenance How Long Battery Toyota Highlander Hybrid User Guide User Reviews and Ratings
- Maintenance How Long Battery Toyota Highlander Hybrid User Guide and Bestseller Lists
- 5. Accessing Maintenance How Long Battery Toyota Highlander Hybrid User Guide Free and Paid eBooks
 - Maintenance How Long Battery Toyota Highlander Hybrid User Guide Public Domain eBooks
 - Maintenance How Long Battery Toyota Highlander Hybrid User Guide eBook Subscription Services
 - Maintenance How Long Battery Toyota Highlander Hybrid User Guide Budget-Friendly Options
- 6. Navigating Maintenance How Long Battery Toyota Highlander Hybrid User Guide eBook Formats
 - ePub, PDF, MOBI, and More
 - Maintenance How Long Battery Toyota Highlander Hybrid User Guide Compatibility with Devices
 - Maintenance How Long Battery Toyota Highlander Hybrid User Guide Enhanced eBook Features
- 7. Enhancing Your Reading Experience
 - Adjustable Fonts and Text Sizes of Maintenance How Long Battery Toyota Highlander Hybrid User Guide
 - Highlighting and Note-Taking Maintenance How Long Battery Toyota Highlander Hybrid User Guide
 - Interactive Elements Maintenance How Long Battery Toyota Highlander Hybrid User Guide
- 8. Staying Engaged with Maintenance How Long Battery Toyota Highlander Hybrid User Guide
 - Joining Online Reading Communities
 - Participating in Virtual Book Clubs
 - Following Authors and Publishers Maintenance How Long Battery Toyota Highlander Hybrid User Guide
- 9. Balancing eBooks and Physical Books Maintenance How Long Battery Toyota Highlander Hybrid User Guide
 - Benefits of a Digital Library
 - Creating a Diverse Reading Collection Maintenance How Long Battery Toyota Highlander Hybrid User Guide
- 10. Overcoming Reading Challenges
 - Dealing with Digital Eye Strain
 - Minimizing Distractions
 - Managing Screen Time
- 11. Cultivating a Reading Routine Maintenance How Long Battery Toyota Highlander Hybrid User Guide
 - Setting Reading Goals Maintenance How Long Battery Toyota Highlander Hybrid User Guide
 - Carving Out Dedicated Reading Time
- 12. Sourcing Reliable Information of Maintenance How Long Battery Toyota Highlander Hybrid User Guide
 - Fact-Checking eBook Content of Maintenance How Long Battery Toyota Highlander Hybrid User Guide

- Distinguishing Credible Sources
- 13. Promoting Lifelong Learning
 - Utilizing eBooks for Skill Development
 - Exploring Educational eBooks
- 14. Embracing eBook Trends
 - Integration of Multimedia Elements
 - Interactive and Gamified eBooks

Maintenance How Long Battery Toyota Highlander Hybrid User Guide Introduction

In the digital age, access to information has become easier than ever before. The ability to download Maintenance How Long Battery Toyota Highlander Hybrid User Guide has revolutionized the way we consume written content. Whether you are a student looking for course material, an avid reader searching for your next favorite book, or a professional seeking research papers, the option to download Maintenance How Long Battery Toyota Highlander Hybrid User Guide has opened up a world of possibilities. Downloading Maintenance How Long Battery Toyota Highlander Hybrid User Guide provides numerous advantages over physical copies of books and documents. Firstly, it is incredibly convenient. Gone are the days of carrying around heavy textbooks or bulky folders filled with papers. With the click of a button, you can gain immediate access to valuable resources on any device. This convenience allows for efficient studying, researching, and reading on the go. Moreover, the cost-effective nature of downloading Maintenance How Long Battery Toyota Highlander Hybrid User Guide has democratized knowledge. Traditional books and academic journals can be expensive, making it difficult for individuals with limited financial resources to access information. By offering free PDF downloads, publishers and authors are enabling a wider audience to benefit from their work. This inclusivity promotes equal opportunities for learning and personal growth. There are numerous websites and platforms where individuals can download Maintenance How Long Battery Toyota Highlander Hybrid User Guide. These websites range from academic databases offering research papers and journals to online libraries with an expansive collection of books from various genres. Many authors and publishers also upload their work to specific websites, granting readers access to their content without any charge. These platforms not only provide access to existing literature but also serve as an excellent platform for undiscovered authors to share their work with the world. However, it is essential to be cautious while downloading Maintenance How Long Battery Toyota Highlander Hybrid User Guide. Some websites may offer pirated or illegally obtained copies of copyrighted material. Engaging in such activities not only violates copyright laws but also undermines the efforts of authors, publishers, and researchers. To ensure ethical downloading, it is advisable to utilize reputable websites that prioritize the legal distribution of content. When downloading

Maintenance How Long Battery Toyota Highlander Hybrid User Guide, users should also consider the potential security risks associated with online platforms. Malicious actors may exploit vulnerabilities in unprotected websites to distribute malware or steal personal information. To protect themselves, individuals should ensure their devices have reliable antivirus software installed and validate the legitimacy of the websites they are downloading from. In conclusion, the ability to download Maintenance How Long Battery Toyota Highlander Hybrid User Guide has transformed the way we access information. With the convenience, cost-effectiveness, and accessibility it offers, free PDF downloads have become a popular choice for students, researchers, and book lovers worldwide. However, it is crucial to engage in ethical downloading practices and prioritize personal security when utilizing online platforms. By doing so, individuals can make the most of the vast array of free PDF resources available and embark on a journey of continuous learning and intellectual growth.

FAQs About Maintenance How Long Battery Toyota Highlander Hybrid User Guide Books

What is a Maintenance How Long Battery Toyota Highlander Hybrid User Guide PDF? A PDF (Portable Document Format) is a file format developed by Adobe that preserves the layout and formatting of a document, regardless of the software, hardware, or operating system used to view or print it. **How do I create a Maintenance How Long Battery Toyota Highlander Hybrid User Guide PDF?** There are several ways to create a PDF: Use software like Adobe Acrobat, Microsoft Word, or Google Docs, which often have built-in PDF creation tools. Print to PDF: Many applications and operating systems have a "Print to PDF" option that allows you to save a document as a PDF file instead of printing it on paper. Online converters: There are various online tools that can convert different file types to PDF. **How do I edit a Maintenance How Long Battery Toyota Highlander Hybrid User Guide PDF?** Editing a PDF can be done with software like Adobe Acrobat, which allows direct editing of text, images, and other elements within the PDF. Some free tools, like PDFescape or Smallpdf, also offer basic editing capabilities. **How do I convert a Maintenance How Long Battery Toyota Highlander Hybrid User Guide PDF to another file format?** There are multiple ways to convert a PDF to another format: Use online converters like Smallpdf, Zamzar, or Adobe Acrobats export feature to convert PDFs to formats like Word, Excel, JPEG, etc. Software like Adobe Acrobat, Microsoft Word, or other PDF editors may have options to export or save PDFs in different formats. **How do I password-protect a Maintenance How Long Battery Toyota Highlander Hybrid User Guide PDF?** Most PDF editing software allows you to add password protection. In Adobe Acrobat, for instance, you can go to "File" -> "Properties" -> "Security" to set a password to restrict access or editing capabilities. Are there any free alternatives to Adobe Acrobat for working with PDFs? Yes, there are many free alternatives for working with PDFs, such as: LibreOffice: Offers PDF editing features. PDFsam: Allows splitting, merging, and editing PDFs. Foxit Reader: Provides basic PDF viewing and

editing capabilities. How do I compress a PDF file? You can use online tools like Smallpdf, ILovePDF, or desktop software like Adobe Acrobat to compress PDF files without significant quality loss. Compression reduces the file size, making it easier to share and download. Can I fill out forms in a PDF file? Yes, most PDF viewers/editors like Adobe Acrobat, Preview (on Mac), or various online tools allow you to fill out forms in PDF files by selecting text fields and entering information. Are there any restrictions when working with PDFs? Some PDFs might have restrictions set by their creator, such as password protection, editing restrictions, or print restrictions. Breaking these restrictions might require specific software or tools, which may or may not be legal depending on the circumstances and local laws.

Find Maintenance How Long Battery Toyota Highlander Hybrid User Guide :

makerere university mastersn admissions 2015 2016

malaguti ciak 125 150 workshop repair service manual

malayalam question paper class 9

mammoth mountain ski report

~~man d20 engine manual~~

management accounting sample papers

malaysian economic report 2004

man d0836 diesel engine workshop manual

~~makita 682user guide~~

management accounting 5th edition hansen solution manual

male model posing guide

malignant mesothelioma pathogenesis diagnosis and translational therapies

malawi national examination exams2015

malaguti f 10 workshop service manual

makerere university law admissions

Maintenance How Long Battery Toyota Highlander Hybrid User Guide :

kashf al mahjub ali hujwiri google books - May 02 2022

web kashf al mahjub ali hujwiri apex books concern 1985 446 pages other editions view all the kashf al mahjub no preview available 2006 references to this book biographical encyclopaedia of sufis africa and europe n hanif full view 2002

biographical encyclopaedia of sufis africa and europe

[pdf language culture and translation theoretical](#) - Jan 10 2023

web dec 30 2018 abstract this paper reviews the english translation by nicholson of a persian sufi text kashf al mahjub by hujveri to explore the possibilities of translation from one culture to another culture

kashf al mahjub the revelation of the veiled an early - Nov 08 2022

web kashf al mahjub the revelation of the veiled an early persian treatise on sufism ali bin uthman al hujwiri ۱۰۰۰۰۰ ۱۱ ۱۱۱۱
۱۱۱۱۱۱۱۱ reynold alleyne nicholson translator 4 26 281 ratings 25 reviews al hujwīrī came from ghazna now in afghanistan then the capital of the mighty ghaznavid empire

editions of kashf al mahjub the revelation of the veiled an - Mar 12 2023

web oct 31 2014 editions for kashf al mahjub the revelation of the veiled an early persian treatise on sufism 0906094372 paperback published in 2014 english average rating 4 40 104 ratings more details want to read saving want to read currently

kashf al mahjub english the oldest persian treatise on sufism - Feb 28 2022

web kashf al mahjub english the oldest persian treatise on sufism author kashf al mahjub 800 cart shams wa roomi 150 cart related books kibriyati ahmar awradi 50 cart syed muhammad al 350 cart khwaja hasan sani

the kashf al maḥjūb by ali ibn usman project gutenber - May 14 2023

web mar 11 2021 the kashf al maḥjūb contains a persian rendering of some passages in the risāla of qushayrī with whom al hujwīrī seems to have been personally acquainted a citation from abdallāh anṣārī occurs on p 26 manuscripts of the kashf al maḥjūb are preserved in several european libraries 16

kashf ul mahjoob ۱۱۱۱۱۱۱۱ ۱۱۱۱ maktabah mujaddidiyah - Jul 04 2022

web nov 17 2008 1 2 3 4 5 kashf al mahjoob ۱۱۱۱۱۱۱۱ ۱۱۱۱ sayyad ali bin usman hajwari alias data ganj bakhsh rahmatullah alaih arabic ۱۱۱۱۱۱۱۱ read online kashf al mahjoob arabic translation translation by reynold a nicholson published by zia ul quran publications revelation of mystery translation by muhammad ashraf javed text persian ۱۱۱۱۱۱

the kashf al mahjūb the oldest persian treatise on súfiism by - Jun 15 2023

web mar 11 2021 72 041 free ebooks the kashf al mahjūb the oldest persian treatise on súfiism by hujviri read now or download free similar books readers also downloaded about this ebook free kindle book and epub digitized and proofread by volunteers

kashf ul mahjoob hazrat ali hajvairi english translation - Aug 17 2023

web in kashf al mahjub revelation of the veiled hazrat ali hajvairi in a mystic tone also outlines 11 veils as below veil 1 maarifat allah gnosis of god veil 2 tawhid unity of god veil 3 iman faith veil 4 tahaarat purification from foulness veil 5 salaah prayers veil 6 zakaat alms veil 7 sawm fasting veil 8 hajj pilgrimage

[a study of the english translations of kashf al mahjub](#) - Apr 13 2023

web the paper is an articulation of critical study of different translations of the book kashf al mahjub unveiling of the veiled is the oldest treatise on islamic mysticism sufism written by sayyed ali bin uthman al hujwiri popularly known as data gunj bakhsh chairman department of arabic islamic studies gc university lahore

the kashf al mahjub the revelation of the veiled of ali b - Dec 09 2022

web oct 31 2014 the kashf al mahjub the revelation of the veiled of ali b uthman al jullābi hujwiri an early persian treatise on sufism gibb memorial trust by reynold nicholson author 4 4 7 ratings see all formats and

[mohrsharif com kashf al mahjoob](#) - Jun 03 2022

web history of the khanqah shajra sharif daily azkars al qasim islamic library the great spiritual center mohra sharif holy village mohra for small village and sharif for holy or noble is an great spiritual center and home of the naqshbandia mujaddadiya qasimiya sufi order read more shajra sharif murids must read on daily

[kashf ul mahjoob english by hazrat ali bin usman al hujwiri](#) - Sep 18 2023

web feb 28 2021 kashf ul mahjoob english identifier ark ark 13960 t9290k89z ocr tesseract 5 0 0 alpha 20201231 7 gc75f ocr detected lang en ocr detected lang conf 1 0000 ocr detected script latin ocr detected script conf 1 0000 ocr module version 0 0 11 ocr parameters l eng page number confidence 97 15 ppi 300 scanner internet archive

[about kashf al mahjub dbpedia association](#) - Sep 06 2022

web kashf al mahjub an entity of type book from named graph dbpedia org within data space dbpedia org the kashf al mahjūb persian lit revelation of the hidden was the first formal treatise on sufism compiled in the 11th century by the persian scholar ali al hujwiri

[e book english kashf al mahjoob by hazrat ali hijviri pure](#) - Apr 01 2022

web large number of punjabi and punjab related ebooks in shahmukhi gurmukhi urdu and english on punjabi literature culture and history of punjab e book english kashf al mahjoob by hazrat ali hijviri pure

with good reason esteem most highly jami in his nafah it al - Oct 07 2022

web to his edition of the kashf al mahjub the following is a translation of the preface to the late professor zhukovsky s edition of the persian text of hujwiri s kashf al mahfjib which was published posthumously in leningrad in 1926 professor zhukovsky was already at work on this critical edition

a study of the english translations of kashf al mahjub - Aug 05 2022

web kashf al mahjub unveiling of the veiled is the oldest treatise on islamic mysticism sufism written by sayyed ali bin uthman al hujwiri popularly known as data gunj bakhsh see full pdf download pdf free related pdfs approach of early sufis toward sama dr tanveer jamal free pdf approach of early sufi towad sama dr tanveer

the kashf al mahjub the e j w gibb memorial trust - Feb 11 2023

web the kashf al mahjüb was probably written in lahore where he is buried not long before his death in about 1074 one of the oldest sufi works in persian it is a substantial treatise aiming to set forth a complete system of sufism

kashf al mahjub wikipedia - Oct 19 2023

web the kashf al mahjüb persian کشف‌المحجوب کتب lit revelation of the hidden was the first formal treatise on sufism compiled in the 11th century by the persian scholar ali al hujwiri the work contains a complete system of sufism with its doctrines and practices

the kashf al mahjüb the oldest persian treatise on súfiism - Jul 16 2023

web dec 31 2014 the kashf al mahjüb the oldest persian treatise on súfiism ali ibn usman called data ganj bakhsh jullabi hujviri fl 1030 free download borrow and streaming internet archive

download free nutrizione funzionale il primo libro sul bilancia - Nov 25 2022

web nutrizione funzionale il primo libro sul bilancia discipline filosofiche 2006 2 apr 10 2021 the jesuits their origin and order morality and practices suppression and

download free nutrizione funzionale il primo libro sul bilancia - Feb 26 2023

web aggiunto in ambito scolastico nutrizione funzionale il primo libro sul bilanciamento nutrizione fabbisogno per il raggiungimento della migliore forma fisica la massima

nutrizione funzionale il primo libro sul bilanciamento nutrizione - Oct 05 2023

web nutrizione funzionale il primo libro sul bilanciamento nutrizione fabbisogno per il raggiungimento della migliore forma fisica la massima prestazione e la longevità nuova ediz è un libro di frank casillo pubblicato da ats giacomo catalani editore acquista

nutrizione funzionale il primo libro sul bilancia charlotte - Mar 30 2023

web this online declaration nutrizione funzionale il primo libro sul bilancia can be one of the options to accompany you behind having new time it will not waste your time take

nutrizione funzionale il primo libro sul bilancia 2023 - Jun 20 2022

web il tommasi giornale di biologia e di medicina annuario nutrizione funzionale il primo libro sul bilanciamento nutrizione fabbisogno per il raggiungimento della migliore

nutrizione funzionale il primo libro sul bilanciamento nutrizione - Mar 18 2022

web warrior who sport amp allenamento tafuri domenico d angelo stefania libro nutrizione funzionale il primo libro sul nutrizione funzionale a 28 40 trovaprezzi it gt sport e

nutrizione funzionale il primo libro sul bilancia full pdf - Feb 14 2022

web nutrizione funzionale il primo libro sul bilanciamento nutrizione fabbisogno per il raggiungimento della migliore forma fisica la massima prestazione e la longevità

[nutrizione funzionale il primo libro sul bilancia pdf](#) - Sep 04 2023

web nutrizione funzionale il primo libro sul bilancia quando si aggiorna il profilo di funzionamento area sosta feb 02 2023 il profilo dinamico funzionale è l 39 atto

[libro nutrizione funzionale](#) - Apr 30 2023

web un testo rivoluzionario che stravolge l approccio alla nutrizione e all esercizio fisico per il raggiungimento della migliore forma fisica la massima prestazione e la longevità tutte

il grande libro degli alimenti dizionario illustrato 1000 alimenti - Jul 22 2022

web il libro è fatto davvero molto bene con consigli utili su come preparare i vari alimenti e su come conservarli è ci sono gli alimenti più comuni e quelli credo un pò meno utilizzati per

[nutrizione funzionale il primo libro sul bilancia pdf](#) - May 20 2022

web il primo libro sul bilanciamento nutrizione fabbisogno per il raggiungimento della migliore forma fisica la massima prestazione e la longevità quaderni urbinati di cultura classica

[nutrizione funzionale il primo libro sul bilancia crmtest](#) - Nov 13 2021

web il primo libro sul bilanciamento nutrizione fabbisogno per il raggiungimento della migliore forma fisica la massima prestazione e la longevità guarire il fegato con cibo piante

nutrizione funzionale il primo libro sul bilanciamento nutrizione - Aug 03 2023

web catalogo libri di casillo bibliografia libro nutrizione funzionale il primo libro sul dieta e nutrizione il migliore in confronto nutrizione funzionale il primo libro sul

[nutrizione funzionale il primo libro sul bilancia data northitalia](#) - Apr 18 2022

web nutrizione funzionale il primo libro sul bilancia 3 3 nutrizione funzionale il primo libro sul bilancia downloaded from data northitalia com by guest brooklyn kaiya

nutrizione funzionale il primo libro sul bilancia copy molecule - Dec 15 2021

web guarire il fegato con cibo piante e nutrizione gazzetta degli ospedali e delle cliniche nutrizione funzionale il primo libro sul bilanciamento nutrizione fabbisogno per il

[nutrizione funzionale il primo libro sul bilancia 2023](#) - Jul 02 2023

web 4 nutrizione funzionale il primo libro sul bilancia 2022 09 14 calorie patire la fame senza sostenere il proprio metabolismo porta a prendere peso nuovamente e a non

[nutrizione funzionale il primo libro sul bilancia pdf](#) - Dec 27 2022

web nutrizione funzionale il primo libro sul bilanciamento nutrizione fabbisogno per il raggiungimento della migliore forma fisica la massima prestazione e la longevità

pdf nutrizione funzionale il primo libro sul bilancia - Sep 23 2022

web nutrizione funzionale il primo libro sul bilancia domenico ferrabosco il primo libro de madrigali a quattro voci venice 1542 jul 01 2023 first published in 1995

cosa mangiamo la guida completa per conoscere segreti e - Aug 23 2022

web strumento di conoscenza delle peculiarità dei prodotti che mangiamo il libro realizzato a quattro mani da allan bay e nicola sorrentino guru rispettivamente della gastronomia

nutrizione funzionale bilanciamento - Jun 01 2023

web nutrizione funzionale si basa su dati scientificamente elaborati e validati grazie ai quali potrai apprendere come corpo umano e salute coesistano solo se ne rispettiamo la

nutrizione funzionale il primo libro sul bilancia pdf dotnbm - Jan 16 2022

web nutrizione funzionale il primo libro sul bilanciamento nutrizione fabbisogno per il raggiungimento della migliore forma fisica la massima prestazione e la longevità

i migliori libri di medicina funzionale e nutrizionale libri - Jan 28 2023

web sep 22 2022 medicina funzionale e nutrizionale i migliori libri e manuali su questo innovativo approccio mirato alla prevenzione della salute e alla cura delle malattie

nutrizione funzionale il primo libro sul bilancia pdf uniport edu - Oct 25 2022

web mar 28 2023 thank you very much for downloading nutrizione funzionale il primo libro sul bilancia as you may know people have look numerous times for their chosen

recipes for peace vegan cookbook based on the tra - Jun 06 2022

recipes for peace vegan cookbook based on the traditional arabic cuisine bilingual arabic and english recipe book delicious and healthy plant based and low fat dishes

recipes for peace vegan cookbook based on the tra pdf - Aug 20 2023

we present you this proper as capably as simple habit to get those all we provide recipes for peace vegan cookbook based on the tra pdf and numerous ebook collections from fictions to scientific research in any way in the middle of them is this recipes for peace vegan cookbook based on the tra pdf that can be your partner

these 12 vegan cookbooks make a plant based diet easy - Mar 03 2022

oct 5 2023 adopt a new plant based diet with the help of these vegan cookbooks looking to switch to a plant based diet consider these 12 vegan cookbooks as your starter kit learn how to cook and enjoy meatless versions of classic dishes

whether it s american comfort food favorites or globally inspired creations

recipes for peace vegan cookbook based on the tradi - Apr 16 2023

recipes for peace vegan cookbook based on the traditional middle eastern cuisine bilingual english and arabic recipe book delicious and healthy plant based cookbook and low fat dishes

recipes for peace vegan cookbook based on the tra - Oct 10 2022

recipes for peace vegan cookbook based on the tra recipes for peace vegan cookbook based on the tra 2 downloaded from smcapproved com on 2022 02 22 by guest local seasonal bounty along with colorful food photography quotes from jane goodall interspersed throughout transform this vegan staple into an inspiring guide to reclaiming our

recipes for peace vegan cookbook based on the tra 2022 - May 17 2023

all plants the food you love the vegan way recipes for peace vegan cookbook based on the traditional arabic cuisine bilingual arabic and english recipe book delicious and healthy plant based and low fat dishes speed vegan please don t feed the bears hungry for peace the happy pear vegan cooking for everyone the world peace diet vegan

recipes for peace vegan cookbook based on the - Mar 15 2023

buy recipes for peace vegan cookbook based on the traditional arabic cuisine bilingual arabic and english recipe book delicious and healthy plant based and low fat dishes by online on amazon ae at best prices fast and free shipping free returns cash on delivery available on eligible purchase

recipes for peace vegan cookbook based on the tra pdf - Aug 08 2022

recipes for peace vegan cookbook based on the tra the plantpower way italia the yoga plate the bean cookbook vegan athlete cookbook peace love and fibre recipes for peace vegan cookbook based on the tra 3 3 and fish making this mediterranean diet book both healthy and delicious want to adopt a healthy mediterranean diet but don t

the 11 best vegan cookbooks of 2023 the spruce eats - Jul 07 2022

mar 9 2023 by insisting the only real vip of any party is food these plant based pros make feeding a hungry group manageable with recipes like pumpkin french toast casserole breakfast tempeh and mexican lasagna price at time of publish 27 recipes 100 pages 256 date published 2021

vegan peace - Apr 04 2022

the vegan lifestyle is a compassionate way to live that supports life supports fairness and equality and promotes freedom robert cheeke becoming vegan is the most important and direct change we can immediately make to save the planet and its species

recipes for peace vegan cookbook based on the tra full - Sep 09 2022

recipes for peace vegan cookbook based on the traditional arabic cuisine bilingual arabic and english recipe book delicious

and healthy plant based and low fat dishes peace in every bite the earthy canvas vegan cookbook

[kifah dasuki author of recipes for peace vegan cookbook based](#) - Jul 19 2023

kifah dasuki author of recipes for peace vegan cookbook based on the traditional middle eastern cuisine bilingual english and arabic recipe book delicious and healthy plant based cookbook and low fat dishes

[recipes for peace vegan cookbook based on the](#) - Sep 21 2023

aug 22 2017 recipes for peace vegan cookbook based on the traditional middle eastern cuisine bilingual english and arabic recipe book delicious and healthy plant based cookbook and low fat dishes kindle edition by kifah dasuki author format kindle edition 4 7 73 ratings see all formats and editions kindle

recipes for peace vegan cookbook based on the tra copy - Feb 14 2023

the vegan meat cookbook dec 06 2022 100 hearty succulent people pleasing meals featuring vegan meat from comfort food classics and speedy weeknight dinners to global flavors and showstoppers plus recipes for diy vegan meats and

[recipes for peace vegan cookbook based on the tra](#) - Dec 12 2022

know people have search hundreds times for their chosen readings like this recipes for peace vegan cookbook based on the tra but end up in harmful downloads rather than enjoying a good book with a cup of coffee in the afternoon instead they cope with some infectious bugs inside their desktop computer recipes for peace vegan cookbook based

recipes for peace vegan cookbook based on the tra copy - Nov 11 2022

recipes for peace vegan cookbook based on the traditional arabic cuisine bilingual arabic and english recipe book delicious and healthy plant based and low fat dishes cooking for the senses the one peaceful world cookbook

recipes for peace vegan cookbook based on the - Jan 13 2023

title recipes for peace vegan cookbook based on the traditional arabic cuisine bilingual arabic and english recipe book delicious and healthy plant based and low fat dishes recipes for peace vegan cookbook based on the traditional arabic cuisine bi 9781975891626 ebay

[recipes for peace vegan cookbook based on the tra 2022](#) - Feb 02 2022

master international chef queen vida m amuah this cookbook is strictly vegan all of the recipes in this international vegan cuisine cookbook are prepared with positive energy spirit no meat by products or dairy products are included in any of the recipes in my cookbook food tastings catering celebrity chef services

[recipes for peace vegan cookbook based on the](#) - Jun 18 2023

recipes for peace vegan cookbook based on the traditional middle eastern cuisine bilingual english and arabic recipe book delicious and healthy plant based cookbook and low fat dishes ebook dasuki kifah amazon co uk kindle store

recipesforpeacevegancookbookbasedonthetra pdf - May 05 2022

recipes for peace vegan cookbook based on the traditional arabic cuisine bilingual arabic and english recipe book delicious and healthy plant based and low fat dishes provecho history of non dairy whip topping coffee creamer cottage cheese and icing frosting with and without soy 1900 2013