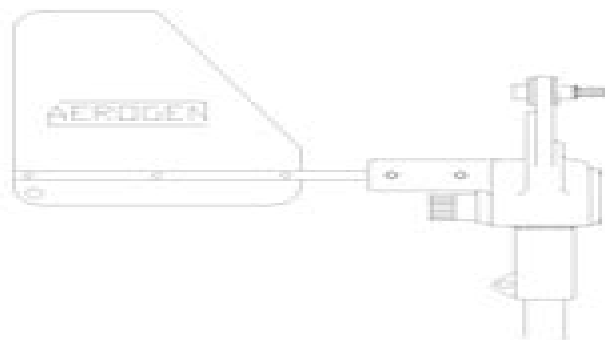
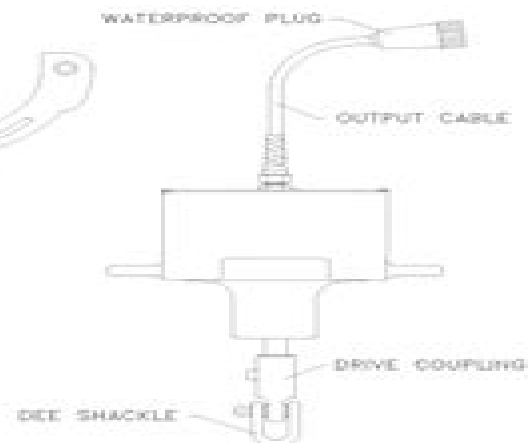
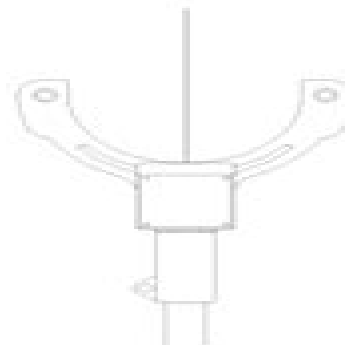


LVM AQA412 : 12 Volt LVM AQA424 : 24 Volt



AQUA4AEROGEN WIND MOUNTING



AQUA4GEN

Guarantee

Thank you for purchasing this product. It has been manufactured to exacting standards and LVM Products guarantees that should any defect in materials or workmanship occur within **ONE YEAR** of the date of purchase we will repair or replace the defective part free of charge.

Damage caused by misuse, failure to follow instructions, negligence, and modification or transit damage will not be warranted.



LVM Products will not be liable for any loss of revenue or any consequential loss or damage to property or persons from any cause whatsoever.

Retain your purchase invoice, as it will be needed in the event of a warranty claim.

What is Not Covered –

- Damage due to lightening
- Damage due to improper installation
- Damage due to improper wiring
- Damage from flying debris causing blade damage

Please read the manual thoroughly. If you have any questions please contact us at –

  <i>Engineered for life</i>	Jabsco & Rule, Singley Road, Hoddesdon, Hertfordshire EN11 0SU	UK
	Tel: +44 (0) 1992 450 145 Fax: +44 (0) 1992 467 132	
	Jabsco UK Sales, Icknield way, Letchworth Garden City, Hertfordshire SG6 1EZ	UK
	Tel: +44 (0) 1462 480 380 Fax: +44 (0) 1462 482 422	
	Jabsco GmbH, Oststraße 28, 22844 Nordstedt	GERMANY
	Tel: +49 (0) 40 53 53 73 0 Fax: +49 (0) 40 53 53 73 11	
	Jabsco Marine Italia S.r.L., Via Tommaseo, 6, 20059 Vimercate, Milano	ITALY
	Tel: +39 039 6857323 Fax: +39 039 666307	
Discover Jabsco at www.LVM-Ltd.com		

Lvm Aqua 4 Aerogen User Guide

JE Gale



Lvm Aqua 4 Aerogen User Guide:

Ignite the flame of optimism with its motivational masterpiece, Find Positivity in **Lvm Aqua 4 Aerogen User Guide** . In a downloadable PDF format (*), this ebook is a beacon of encouragement. Download now and let the words propel you towards a brighter, more motivated tomorrow.

<https://staging.conocer.cide.edu/book/publication/index.jsp/hawk%20tattoo%20manual.pdf>

Table of Contents Lvm Aqua 4 Aerogen User Guide

1. Understanding the eBook Lvm Aqua 4 Aerogen User Guide
 - The Rise of Digital Reading Lvm Aqua 4 Aerogen User Guide
 - Advantages of eBooks Over Traditional Books
2. Identifying Lvm Aqua 4 Aerogen User Guide
 - Exploring Different Genres
 - Considering Fiction vs. Non-Fiction
 - Determining Your Reading Goals
3. Choosing the Right eBook Platform
 - Popular eBook Platforms
 - Features to Look for in an Lvm Aqua 4 Aerogen User Guide
 - User-Friendly Interface
4. Exploring eBook Recommendations from Lvm Aqua 4 Aerogen User Guide
 - Personalized Recommendations
 - Lvm Aqua 4 Aerogen User Guide User Reviews and Ratings
 - Lvm Aqua 4 Aerogen User Guide and Bestseller Lists
5. Accessing Lvm Aqua 4 Aerogen User Guide Free and Paid eBooks
 - Lvm Aqua 4 Aerogen User Guide Public Domain eBooks
 - Lvm Aqua 4 Aerogen User Guide eBook Subscription Services
 - Lvm Aqua 4 Aerogen User Guide Budget-Friendly Options
6. Navigating Lvm Aqua 4 Aerogen User Guide eBook Formats

- ePub, PDF, MOBI, and More
 - Lvm Aqua 4 Aerogen User Guide Compatibility with Devices
 - Lvm Aqua 4 Aerogen User Guide Enhanced eBook Features
7. Enhancing Your Reading Experience
 - Adjustable Fonts and Text Sizes of Lvm Aqua 4 Aerogen User Guide
 - Highlighting and Note-Taking Lvm Aqua 4 Aerogen User Guide
 - Interactive Elements Lvm Aqua 4 Aerogen User Guide
 8. Staying Engaged with Lvm Aqua 4 Aerogen User Guide
 - Joining Online Reading Communities
 - Participating in Virtual Book Clubs
 - Following Authors and Publishers Lvm Aqua 4 Aerogen User Guide
 9. Balancing eBooks and Physical Books Lvm Aqua 4 Aerogen User Guide
 - Benefits of a Digital Library
 - Creating a Diverse Reading Collection Lvm Aqua 4 Aerogen User Guide
 10. Overcoming Reading Challenges
 - Dealing with Digital Eye Strain
 - Minimizing Distractions
 - Managing Screen Time
 11. Cultivating a Reading Routine Lvm Aqua 4 Aerogen User Guide
 - Setting Reading Goals Lvm Aqua 4 Aerogen User Guide
 - Carving Out Dedicated Reading Time
 12. Sourcing Reliable Information of Lvm Aqua 4 Aerogen User Guide
 - Fact-Checking eBook Content of Lvm Aqua 4 Aerogen User Guide
 - Distinguishing Credible Sources
 13. Promoting Lifelong Learning
 - Utilizing eBooks for Skill Development
 - Exploring Educational eBooks
 14. Embracing eBook Trends
 - Integration of Multimedia Elements
 - Interactive and Gamified eBooks

Lvm Aqua 4 Aerogen User Guide Introduction

In the digital age, access to information has become easier than ever before. The ability to download Lvm Aqua 4 Aerogen User Guide has revolutionized the way we consume written content. Whether you are a student looking for course material, an avid reader searching for your next favorite book, or a professional seeking research papers, the option to download Lvm Aqua 4 Aerogen User Guide has opened up a world of possibilities. Downloading Lvm Aqua 4 Aerogen User Guide provides numerous advantages over physical copies of books and documents. Firstly, it is incredibly convenient. Gone are the days of carrying around heavy textbooks or bulky folders filled with papers. With the click of a button, you can gain immediate access to valuable resources on any device. This convenience allows for efficient studying, researching, and reading on the go. Moreover, the cost-effective nature of downloading Lvm Aqua 4 Aerogen User Guide has democratized knowledge. Traditional books and academic journals can be expensive, making it difficult for individuals with limited financial resources to access information. By offering free PDF downloads, publishers and authors are enabling a wider audience to benefit from their work. This inclusivity promotes equal opportunities for learning and personal growth. There are numerous websites and platforms where individuals can download Lvm Aqua 4 Aerogen User Guide. These websites range from academic databases offering research papers and journals to online libraries with an expansive collection of books from various genres. Many authors and publishers also upload their work to specific websites, granting readers access to their content without any charge. These platforms not only provide access to existing literature but also serve as an excellent platform for undiscovered authors to share their work with the world. However, it is essential to be cautious while downloading Lvm Aqua 4 Aerogen User Guide. Some websites may offer pirated or illegally obtained copies of copyrighted material. Engaging in such activities not only violates copyright laws but also undermines the efforts of authors, publishers, and researchers. To ensure ethical downloading, it is advisable to utilize reputable websites that prioritize the legal distribution of content. When downloading Lvm Aqua 4 Aerogen User Guide, users should also consider the potential security risks associated with online platforms. Malicious actors may exploit vulnerabilities in unprotected websites to distribute malware or steal personal information. To protect themselves, individuals should ensure their devices have reliable antivirus software installed and validate the legitimacy of the websites they are downloading from. In conclusion, the ability to download Lvm Aqua 4 Aerogen User Guide has transformed the way we access information. With the convenience, cost-effectiveness, and accessibility it offers, free PDF downloads have become a popular choice for students, researchers, and book lovers worldwide. However, it is crucial to engage in ethical downloading practices and prioritize personal security when utilizing online platforms. By doing so, individuals can make the most of the vast array of free PDF resources available and embark on a journey of continuous learning and intellectual growth.

FAQs About Lvm Aqua 4 Aerogen User Guide Books

What is a Lvm Aqua 4 Aerogen User Guide PDF? A PDF (Portable Document Format) is a file format developed by Adobe that preserves the layout and formatting of a document, regardless of the software, hardware, or operating system used to view or print it. **How do I create a Lvm Aqua 4 Aerogen User Guide PDF?** There are several ways to create a PDF: Use software like Adobe Acrobat, Microsoft Word, or Google Docs, which often have built-in PDF creation tools. **Print to PDF:** Many applications and operating systems have a "Print to PDF" option that allows you to save a document as a PDF file instead of printing it on paper. **Online converters:** There are various online tools that can convert different file types to PDF. **How do I edit a Lvm Aqua 4 Aerogen User Guide PDF?** Editing a PDF can be done with software like Adobe Acrobat, which allows direct editing of text, images, and other elements within the PDF. Some free tools, like PDFescape or Smallpdf, also offer basic editing capabilities. **How do I convert a Lvm Aqua 4 Aerogen User Guide PDF to another file format?** There are multiple ways to convert a PDF to another format: Use online converters like Smallpdf, Zamzar, or Adobe Acrobat's export feature to convert PDFs to formats like Word, Excel, JPEG, etc. Software like Adobe Acrobat, Microsoft Word, or other PDF editors may have options to export or save PDFs in different formats. **How do I password-protect a Lvm Aqua 4 Aerogen User Guide PDF?** Most PDF editing software allows you to add password protection. In Adobe Acrobat, for instance, you can go to "File" -> "Properties" -> "Security" to set a password to restrict access or editing capabilities. **Are there any free alternatives to Adobe Acrobat for working with PDFs?** Yes, there are many free alternatives for working with PDFs, such as: LibreOffice: Offers PDF editing features. PDFsam: Allows splitting, merging, and editing PDFs. Foxit Reader: Provides basic PDF viewing and editing capabilities. **How do I compress a PDF file?** You can use online tools like Smallpdf, ILovePDF, or desktop software like Adobe Acrobat to compress PDF files without significant quality loss. Compression reduces the file size, making it easier to share and download. **Can I fill out forms in a PDF file?** Yes, most PDF viewers/editors like Adobe Acrobat, Preview (on Mac), or various online tools allow you to fill out forms in PDF files by selecting text fields and entering information. **Are there any restrictions when working with PDFs?** Some PDFs might have restrictions set by their creator, such as password protection, editing restrictions, or print restrictions. Breaking these restrictions might require specific software or tools, which may or may not be legal depending on the circumstances and local laws.

Find Lvm Aqua 4 Aerogen User Guide :

[hawk tattoo manual](#)

[harman kardon mini cooper wiring diagram](#)

[hatz e88 parts manual](#)

~~harris tierwelt das etwas andere lexikon neue version german edition~~

~~haykin adaptive filter theory solution manual~~

hasil osn matematika smp di jawa tengah 2015

~~hay stack candy recipe~~

~~harry buffalo drink mix recipe~~

hatco lfst 48 owners manual

harvest of empire a history of latinosaurs in america

~~hasil osn smp 2015 kab kebumen~~

~~hasil osn kab bekasi 2015~~

~~hasil osn smp kalteng 2015~~

~~harris quantitative analysis solutions manual~~

~~harmonic mechanisms for guitar volume 2~~

Lvm Aqua 4 Aerogen User Guide :

standard operating procedure templates for gmp s instantgmp - Jul 25 2022

web 11 sops and policies compliant with good manufacturing practices gmps for inventory management these documents primarily focus on guiding companies in creating and implementing tests methods and specifications crucial to compliance requirements additionally these documents help in assisting companies better organize their inventory

a who guide to good manufacturing practice gmp requirements - Apr 02 2023

web titled in the who s documents on gmp ref 21 27 a presentation of a format for a standard operating procedure sop and accompanying data recording form several sample sops and summaries of the expected contents of several types of sops it also provides information on the preparation of master formulae and batch process

standard operating procedure european medicines agency - Nov 28 2022

web the procedure also applies to dealing with reports or statements of suspected or confirmed gmp non compliance issued by the competent authorities of member states or from international partners e g fda warning letters who notices of concerns edqm or information received from whistle sop pdm 1004 core master files of medicinal

gmp manufacturing sop template template by clickup - Feb 17 2022

web clickup s gmp manufacturing sop template is designed to help you create and manage standard operating procedures sops for gmp manufacturing processes this doc template provides a structured format for documenting step by step instructions safety guidelines and quality control measures

good working practice facilities and equipments gmp sop - Mar 21 2022

web dedicated equipment cleaning at the end of a campaign equipment disassembly may be required to clean or to verify cleanliness equipment cleaning for major equipment must be conducted following written instruction records or standard operating procedures sop with an attached checklist s

standard operating procedure european medicines agency - May 03 2023

web standard operating procedure purpose this sop describes how gmp and gdp inspections are coordinated by the p ci mcq section for human and veterinary medicinal products under the centralised procedure or in the context of

which sops are required by gmp eca academy - Oct 28 2022

web aug 20 2014 sops required by eu gmp are mainly defined in the eu guidelines to good manufacturing practice of eudralex vol 4 eu gmp guide there is no comprehensive list provided but chapter 4 of part 1 documentation of the guide gives some examples

1 20 good manufacturing practices gmpls biology libretexts - Apr 21 2022

web jan 11 2023 quality systems are comprised of the policies processes and procedures for maintaining a product with specifications this lab exercise will utilize the manufacturing of a popcorn snack as an example where good manufacturing practices gmpls can be followed the exercise used the components of a quality system

standard operating procedure gmp sop - Jul 05 2023

web can shorten complex and detailed sop s branching flowcharts this format makes complex sop s easier to follow boxes within the flowchart can also be expanded to include checklists or sub steps example only receive order prepare materials process order despatch assemble order payment 1 level 0 main heading 1 1 level 1 sub heading

guidance on good manufacturing practice and distribution - Dec 30 2022

web eu gmp guide annexes supplementary requirements annex 19 reference and retention samples general gmp gmp certificates non compliance statements and manufacturing authorisations inspection coordination data integrity gdp

gmp standard operating procedures sops - Oct 08 2023

web 240 sops 197 gmp manuals 64 templates 30 training modules 167 forms additional documents included each month all written and updated by gmp experts checkout sample previews access to exclusive content for an affordable fee

a who guide to good manufacturing practice gmp requirements - Sep 26 2022

web the guide presents a review of the types and extent of validations required by gmp the preparation of a master validation plan formats for the equipment and systems qualifications and process and analytical assay validation protocols and examples of the typical requirements for various validation studies

pharmaceuticals quality assurance and validation procedure gmp sop - Sep 07 2023

web all written and updated by gmp experts checkout sample preview s access to exclusive content for an affordable fee
clear and authentic standard operating procedures sop on gmp quality assurance validation auditing whs

creating effective standard operating procedures - Mar 01 2023

web personnel management is the most challenging variable in maintaining current good manufacturing practice cgmp
across the life cycle of drug manufacture safety and supply a standard operating procedure sop outlines agreed upon
instructions for personnel training and instructions for maintaining systems machines documents and records in

documentation and records harmonized gmp requirements - Aug 26 2022

web gmp is that part of quality assurance which ensures that products are consistently produced and controlled to the
quality standards appropriate to their intended use gmp is aimed primarily at diminishing the risk inherent in any
pharmaceutical production for example sop titled writing revising numbering and distributing controlled

a comprehensive guide to gmp safetyculture - Jan 31 2023

web what are good manufacturing practices good manufacturing practices or gmp is a system that consists of processes
procedures and documentation that ensures manufacturing products such as food cosmetics and pharmaceutical goods are
consistently produced and controlled according to set quality standards

tips for writing clear and concise gmp sops linkedin - Jun 23 2022

web jul 19 2023 sops are the backbone of gmp documentation and records as they describe the steps roles responsibilities
and equipment involved in performing a specific task or process however writing

gmp manuals sample documents gmp sop - May 23 2022

web gmp manual samples lab manual 001 environmental monitoring lab manual 002 analytical laboratory management lab
manual 003 water quality standard lab manual 004 microbiology laboratory management lab manual 005 sterility testing lab
manual 006 endotoxin testing lab manual 007 guideline for stability

standard operating procedure gmp sop - Aug 06 2023

web this sop defines the approach to quality risk management qrm of a gmp site and gives practical examples for tools which
may be used to facilitate the process and to aid personnel performing the assessment 2 0 scope applicable to any process at a
gmp site which requires a risk management approach

gmp 12 standard operating procedure selection national - Jun 04 2023

web good measurement practice for standard operating procedure selection good laboratory practices use of proper
standards and equipment and selection of standard operating procedures are essential for providing calibration results with
accurate and traceable values with appropriate and suitable uncertainties

audi a6 sedan spec sheet dec 2022 - Nov 04 2022

web the new era of high class mobility the audi activesphere concept audi urbansphere concept audi grandsphere concept and the audi skysphere concept discover the

audi a6 owners manual pdf car owners manuals - Jan 26 2022

catalogues the new a6 sedan a6 audi singapore luxury - Jan 06 2023

web options and features of the audi a6 sedan are model dependent and available at the purchaser s option standard equipment optional equipment audi connect audi

audi a6 quick reference manual pdf download - May 10 2023

web wir haben das dazu passende werkstatthandbuch natürlich auch für zahlreiche audi a6 4b c5 modelle dabei bieten wir die bekanntesten reihen an ob reparaturanleitung

the new a6 sedan a6 audi singapore luxury - Oct 03 2022

web with the mmi navigation plus with mmi touch you use navigation data to achieve anticipatory efficient driving for instance with respect to speed limits and uphill

bedienungsanleitung audi a6 4b pdf by johnnn medium - Sep 02 2022

web sep 25 2019 audi a6 s6 rs 6 audi a7 s7 rs 7 audi a8 s8 audi q3 q5 q7 q8 audi r8 audi tt tt s tt rs other audi audi e tron technical discussion

bedienungsanleitung audi a6 2005 199 seiten - Sep 14 2023

web sehen sie sich hier kostenlos das handbuch für audi a6 2005 an dieses handbuch fällt unter die kategorie autos und wurde von 27 personen mit einem durchschnitt von 8 8 bewertet dieses handbuch ist in den folgenden sprachen verfügbar englisch haben sie eine frage zum audi a6 2005 oder benötigen sie hilfe stellen sie hier ihre frage

rs 6 avant 2020 a6 audi singapore luxury sedans suvs - Nov 23 2021

audi a6 4b handbuch pdf free black ortax - Mar 28 2022

web the next a4 internally designated typ 8e debuted on october 10 2000 now riding on the volkswagen group b6 pl46 platform the cars new styling by peter schreyer in 1997

handbuch für automobil audi a6 kostenlos herunterladen - Jun 11 2023

web view and download audi a6 quick reference manual online audi automobile a6 automobile pdf manual download also for a6 avant

2020 audi a6 owner s manual 316 pages pdf - Apr 09 2023

web ansicht und herunterladen audi a6 avant kurzanleitung online a6 avant autos pdf anleitung herunterladen auch für a6

hybrid a6

a4 sedan a4 audi singapore luxury sedans suvs - Jun 30 2022

web audi a6 4b handbuch pdf free black ortax org created date 9 15 2023 1 05 22 pm

audi a6 c5 4b limousine and avant video youtube - Dec 05 2022

web bedienungsanleitung audi a6 4b pdf rating 4 8 5 17328 votes downloads 103823 click here to download [інструкція обслуговування авто audi a6](#)

audi a4 quick reference guide vag links - Apr 28 2022

web here is our collection of audi a6 owners manuals by model year available in pdf and ready for download the audi a6 is an high end car manufactured by audi now in its fourth

audi a6 4b c5 reparaturanleitung und handbuch - Mar 08 2023

web download audi genuine accessories brochure customise your car to your liking with audi genuine accessories refer to the audi genuine accessories brochure for more

luxury sedans suvs convertibles electric vehicles audi - Aug 01 2022

web motoring with your audi audi ag audi a4 quick reference guide the central locking system locks and unlocks all the doors the boot lid and the tank flap it can be operated

bordbuch anleitungen audi deutschland - Oct 15 2023

web einfach schnell und unkompliziert mit dem myaudi service bordbuch haben sie die betriebsanleitung und handbücher für ihren audi immer dabei wählen sie einfach aus

bedienungsanleitung audi a6 1998 199 seiten - Jul 12 2023

web sie können handbuch kostenlos für audi a6 herunterladen sie können ebenfalls handbuch online lesen ohne es auf ihren pc herunterzuladen de manuals com

owners manual audiworld forums - May 30 2022

web audi a6 4b handbuch pdf whispering the techniques of language an psychological quest through audi a6 4b handbuch pdf in a digitally driven world where screens reign

audi a6 avant kurzanleitung pdf herunterladen - Feb 07 2023

web sep 27 2020 schnell unscheinbar handgerissen carranger 70k views 1 year ago audi a6 c5 4b limousine and avant video betriebsanleitung video

audi a6 kurzanleitung pdf herunterladen - Aug 13 2023

web sehen sie sich hier kostenlos das handbuch für audi a6 1998 an dieses handbuch fällt unter die kategorie autos und wurde von 12 personen mit einem durchschnitt von 8 7

audi a6 4b handbuch pdf full pdf live hubitat - Feb 24 2022

web ob fürs business meeting oder einen familienausflug sagen sie ja zum audi rs 6 avant denn der high performance sportwagen verspricht kompromissloses design gepaart

audi a4 b6 - Dec 25 2021

the elgar companion to radical political economy - Oct 07 2022

web the elgar companion to radical political economy edited by philip arestis university of east london and malcolm sawyer university of leeds i edward elgar contents list of

the elgar companion to radical political economy amazon com tr - Jan 10 2023

web the elgar companion to radical political economy amazon com tr kitap Çerez tercihlerinizi seçin Çerez bildirimimizde ayrıntılı şekilde açıklandığı üzere alışveriş

the elgar companion to radical political economy - Nov 08 2022

web radical economics encyclopedias economics publisher aldershot hants england brookfield vt usa elgar collection inlibrary printdisabled trent university

I in the elgar companion to radical political economy - May 02 2022

web jan 1 1994 international in scope the elgar companion to radical political economy includes contributions from a very wide range of specialists who discuss topics ideas

index in the elgar companion to radical political economy - Apr 01 2022

web this major reference book has been designed to provide a comprehensive coverage of radical political economy international in scope the elgar

the elgar companion to radical political economy goodreads - Aug 05 2022

web jan 1 1994 international in scope the elgar companion to radical political economy includes contributions from a very wide range of specialists who discuss topics ideas

the elgar companion to radical political economy by philip - Feb 28 2022

web elgar companion to radical political economy 1 arestis p ii sawyer malcolm c 335 library ofcongress cataloguing in publication data the elgar companion to radical

the elgar companion to radical political economy - Jul 16 2023

web this major reference book has been designed to provide a comprehensive coverage of radical political economy international in scope the elgar companion to radical

the elgar companion to radical political economy free yumpu - Oct 27 2021

econpapers the elgar companion to radical political economy - Dec 09 2022

web international in scope the elgar companion to radical political economy includes contributions from a very wide range of specialists who discuss topics ideas and theories

the elgar companion to radical political economy pdf scribd - Jun 03 2022

web jan 1 1994 international in scope the elgar companion to radical political economy includes contributions from a very wide range of specialists who discuss topics ideas

the elgar companion to radical political economy - Sep 06 2022

web jan 1 1994 international in scope the elgar companion to radical political economy includes contributions from a very wide range of specialists who discuss topics ideas

e in the elgar companion to radical political economy - Apr 13 2023

web jan 1 1994 international in scope the elgar companion to radical political economy includes contributions from a very wide range of specialists who discuss topics ideas

the elgar companion to radical political economy hardcover - Feb 11 2023

web international in scope i the elgar companion to radical political economy i includes contributions from a very wide range of specialists who discuss topics ideas

the elgar companion to radical political economy - May 14 2023

web jan 1 1994 the elgar companion to radical political economy philip arestis malcolm c sawyer edward elgar publishing jan 1 1994 business economics 492 pages

list of contributors in the elgar companion to radical political - Jul 04 2022

web the distinction between economics and political economy goes back to the ancient greeks economics referred to the study of the household political economy to

the elgar companion to radical political economy ideas repec - Jun 15 2023

web international in scope the elgar companion to radical political economy includes contributions from a very wide range of specialists who discuss topics ideas and theories

the elgar companion to radical political economy - Mar 12 2023

web this major reference book has been designed to provide a comprehensive coverage of radical political economy international in scope the elgar companion to radical

the elgar companion to radical political economy - Jan 30 2022

web this elgar companion is designed to provide a comprehensive coverage of radical political economy making such a statement raises the inevitable question of what is

the elgar companion to radical political economy - Aug 17 2023

web this major reference book has been designed to provide a comprehensive coverage of radical political economy international in scope the elgar companion to radical political economy includes contributions from a very wide range of specialists who

the elgar companion to radical political economy - Nov 27 2021

web capital markets which lie at the heart of a modern capitalist economy and banking which mediates all of its significant transactions have therefore been accorded a central role in

the elgar companion to radical political economy - Dec 29 2021

web jan 1 1995 the companion starts out with an introduction defining radical political economy then it contains 103 entries of about four pages each the entries were