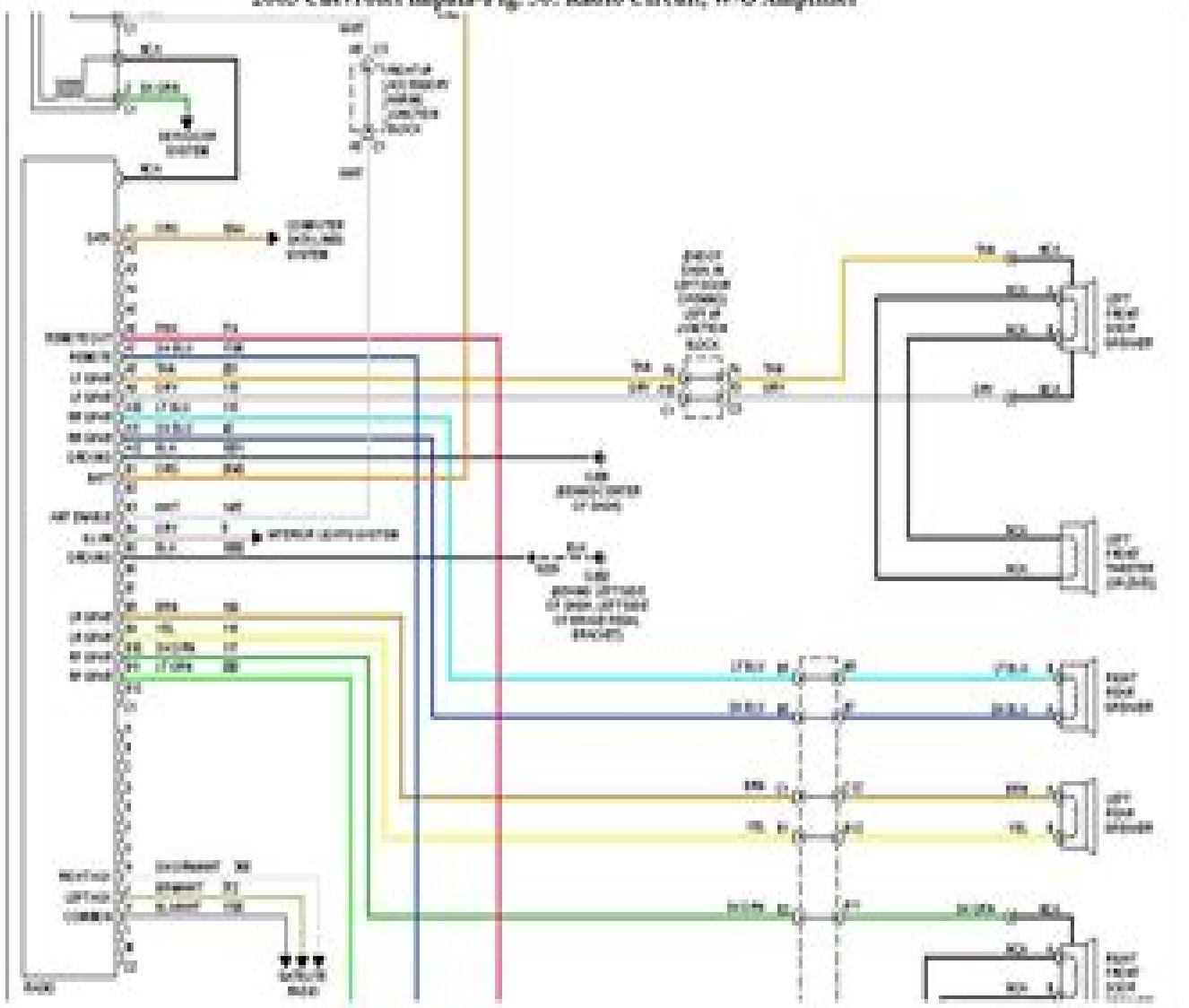




2001 Chevrolet Impala-Fig. 50: Radio Circuit, W/O Amplifier



Factory Stereo Wiring Diagram For 2004 Chevy Impala

RC Schank



Factory Stereo Wiring Diagram For 2004 Chevy Impala:

Reviewing **Factory Stereo Wiring Diagram For 2004 Chevy Impala**: Unlocking the Spellbinding Force of Linguistics

In a fast-paced world fueled by information and interconnectivity, the spellbinding force of linguistics has acquired newfound prominence. Its capacity to evoke emotions, stimulate contemplation, and stimulate metamorphosis is really astonishing. Within the pages of "**Factory Stereo Wiring Diagram For 2004 Chevy Impala**," an enthralling opus penned by a very acclaimed wordsmith, readers attempt an immersive expedition to unravel the intricate significance of language and its indelible imprint on our lives. Throughout this assessment, we shall delve to the book is central motifs, appraise its distinctive narrative style, and gauge its overarching influence on the minds of its readers.

<https://staging.conocer.cide.edu/book/detail/default.aspx/Jardin%20Daltitude%20Collection%20Sur%20La%20Photographie.pdf>

Table of Contents Factory Stereo Wiring Diagram For 2004 Chevy Impala

1. Understanding the eBook Factory Stereo Wiring Diagram For 2004 Chevy Impala
 - The Rise of Digital Reading Factory Stereo Wiring Diagram For 2004 Chevy Impala
 - Advantages of eBooks Over Traditional Books
2. Identifying Factory Stereo Wiring Diagram For 2004 Chevy Impala
 - Exploring Different Genres
 - Considering Fiction vs. Non-Fiction
 - Determining Your Reading Goals
3. Choosing the Right eBook Platform
 - Popular eBook Platforms
 - Features to Look for in an Factory Stereo Wiring Diagram For 2004 Chevy Impala
 - User-Friendly Interface
4. Exploring eBook Recommendations from Factory Stereo Wiring Diagram For 2004 Chevy Impala
 - Personalized Recommendations
 - Factory Stereo Wiring Diagram For 2004 Chevy Impala User Reviews and Ratings

- Factory Stereo Wiring Diagram For 2004 Chevy Impala and Bestseller Lists
- 5. Accessing Factory Stereo Wiring Diagram For 2004 Chevy Impala Free and Paid eBooks
 - Factory Stereo Wiring Diagram For 2004 Chevy Impala Public Domain eBooks
 - Factory Stereo Wiring Diagram For 2004 Chevy Impala eBook Subscription Services
 - Factory Stereo Wiring Diagram For 2004 Chevy Impala Budget-Friendly Options
- 6. Navigating Factory Stereo Wiring Diagram For 2004 Chevy Impala eBook Formats
 - ePub, PDF, MOBI, and More
 - Factory Stereo Wiring Diagram For 2004 Chevy Impala Compatibility with Devices
 - Factory Stereo Wiring Diagram For 2004 Chevy Impala Enhanced eBook Features
- 7. Enhancing Your Reading Experience
 - Adjustable Fonts and Text Sizes of Factory Stereo Wiring Diagram For 2004 Chevy Impala
 - Highlighting and Note-Taking Factory Stereo Wiring Diagram For 2004 Chevy Impala
 - Interactive Elements Factory Stereo Wiring Diagram For 2004 Chevy Impala
- 8. Staying Engaged with Factory Stereo Wiring Diagram For 2004 Chevy Impala
 - Joining Online Reading Communities
 - Participating in Virtual Book Clubs
 - Following Authors and Publishers Factory Stereo Wiring Diagram For 2004 Chevy Impala
- 9. Balancing eBooks and Physical Books Factory Stereo Wiring Diagram For 2004 Chevy Impala
 - Benefits of a Digital Library
 - Creating a Diverse Reading Collection Factory Stereo Wiring Diagram For 2004 Chevy Impala
- 10. Overcoming Reading Challenges
 - Dealing with Digital Eye Strain
 - Minimizing Distractions
 - Managing Screen Time
- 11. Cultivating a Reading Routine Factory Stereo Wiring Diagram For 2004 Chevy Impala
 - Setting Reading Goals Factory Stereo Wiring Diagram For 2004 Chevy Impala
 - Carving Out Dedicated Reading Time
- 12. Sourcing Reliable Information of Factory Stereo Wiring Diagram For 2004 Chevy Impala
 - Fact-Checking eBook Content of Factory Stereo Wiring Diagram For 2004 Chevy Impala
 - Distinguishing Credible Sources

13. Promoting Lifelong Learning
 - Utilizing eBooks for Skill Development
 - Exploring Educational eBooks
14. Embracing eBook Trends
 - Integration of Multimedia Elements
 - Interactive and Gamified eBooks

Factory Stereo Wiring Diagram For 2004 Chevy Impala Introduction

Free PDF Books and Manuals for Download: Unlocking Knowledge at Your Fingertips In today's fast-paced digital age, obtaining valuable knowledge has become easier than ever. Thanks to the internet, a vast array of books and manuals are now available for free download in PDF format. Whether you are a student, professional, or simply an avid reader, this treasure trove of downloadable resources offers a wealth of information, conveniently accessible anytime, anywhere. The advent of online libraries and platforms dedicated to sharing knowledge has revolutionized the way we consume information. No longer confined to physical libraries or bookstores, readers can now access an extensive collection of digital books and manuals with just a few clicks. These resources, available in PDF, Microsoft Word, and PowerPoint formats, cater to a wide range of interests, including literature, technology, science, history, and much more. One notable platform where you can explore and download free Factory Stereo Wiring Diagram For 2004 Chevy Impala PDF books and manuals is the internet's largest free library. Hosted online, this catalog compiles a vast assortment of documents, making it a veritable goldmine of knowledge. With its easy-to-use website interface and customizable PDF generator, this platform offers a user-friendly experience, allowing individuals to effortlessly navigate and access the information they seek. The availability of free PDF books and manuals on this platform demonstrates its commitment to democratizing education and empowering individuals with the tools needed to succeed in their chosen fields. It allows anyone, regardless of their background or financial limitations, to expand their horizons and gain insights from experts in various disciplines. One of the most significant advantages of downloading PDF books and manuals lies in their portability. Unlike physical copies, digital books can be stored and carried on a single device, such as a tablet or smartphone, saving valuable space and weight. This convenience makes it possible for readers to have their entire library at their fingertips, whether they are commuting, traveling, or simply enjoying a lazy afternoon at home. Additionally, digital files are easily searchable, enabling readers to locate specific information within seconds. With a few keystrokes, users can search for keywords, topics, or phrases, making research and finding relevant information a breeze. This efficiency saves time and effort, streamlining the learning process and allowing individuals to focus on extracting the information they need. Furthermore, the availability of free PDF books and manuals

fosters a culture of continuous learning. By removing financial barriers, more people can access educational resources and pursue lifelong learning, contributing to personal growth and professional development. This democratization of knowledge promotes intellectual curiosity and empowers individuals to become lifelong learners, promoting progress and innovation in various fields. It is worth noting that while accessing free Factory Stereo Wiring Diagram For 2004 Chevy Impala PDF books and manuals is convenient and cost-effective, it is vital to respect copyright laws and intellectual property rights. Platforms offering free downloads often operate within legal boundaries, ensuring that the materials they provide are either in the public domain or authorized for distribution. By adhering to copyright laws, users can enjoy the benefits of free access to knowledge while supporting the authors and publishers who make these resources available. In conclusion, the availability of Factory Stereo Wiring Diagram For 2004 Chevy Impala free PDF books and manuals for download has revolutionized the way we access and consume knowledge. With just a few clicks, individuals can explore a vast collection of resources across different disciplines, all free of charge. This accessibility empowers individuals to become lifelong learners, contributing to personal growth, professional development, and the advancement of society as a whole. So why not unlock a world of knowledge today? Start exploring the vast sea of free PDF books and manuals waiting to be discovered right at your fingertips.

FAQs About Factory Stereo Wiring Diagram For 2004 Chevy Impala Books

What is a Factory Stereo Wiring Diagram For 2004 Chevy Impala PDF? A PDF (Portable Document Format) is a file format developed by Adobe that preserves the layout and formatting of a document, regardless of the software, hardware, or operating system used to view or print it. **How do I create a Factory Stereo Wiring Diagram For 2004 Chevy Impala PDF?** There are several ways to create a PDF: Use software like Adobe Acrobat, Microsoft Word, or Google Docs, which often have built-in PDF creation tools. Print to PDF: Many applications and operating systems have a "Print to PDF" option that allows you to save a document as a PDF file instead of printing it on paper. Online converters: There are various online tools that can convert different file types to PDF. **How do I edit a Factory Stereo Wiring Diagram For 2004 Chevy Impala PDF?** Editing a PDF can be done with software like Adobe Acrobat, which allows direct editing of text, images, and other elements within the PDF. Some free tools, like PDFescape or Smallpdf, also offer basic editing capabilities. **How do I convert a Factory Stereo Wiring Diagram For 2004 Chevy Impala PDF to another file format?** There are multiple ways to convert a PDF to another format: Use online converters like Smallpdf, Zamzar, or Adobe Acrobats export feature to convert PDFs to formats like Word, Excel, JPEG, etc. Software like Adobe Acrobat, Microsoft Word, or other PDF editors may have options to export or save PDFs in different formats. **How do I password-protect a Factory Stereo Wiring Diagram**

For 2004 Chevy Impala PDF? Most PDF editing software allows you to add password protection. In Adobe Acrobat, for instance, you can go to "File" -> "Properties" -> "Security" to set a password to restrict access or editing capabilities. Are there any free alternatives to Adobe Acrobat for working with PDFs? Yes, there are many free alternatives for working with PDFs, such as: LibreOffice: Offers PDF editing features. PDFsam: Allows splitting, merging, and editing PDFs. Foxit Reader: Provides basic PDF viewing and editing capabilities. How do I compress a PDF file? You can use online tools like Smallpdf, ILovePDF, or desktop software like Adobe Acrobat to compress PDF files without significant quality loss. Compression reduces the file size, making it easier to share and download. Can I fill out forms in a PDF file? Yes, most PDF viewers/editors like Adobe Acrobat, Preview (on Mac), or various online tools allow you to fill out forms in PDF files by selecting text fields and entering information. Are there any restrictions when working with PDFs? Some PDFs might have restrictions set by their creator, such as password protection, editing restrictions, or print restrictions. Breaking these restrictions might require specific software or tools, which may or may not be legal depending on the circumstances and local laws.

Find Factory Stereo Wiring Diagram For 2004 Chevy Impala :

[jardin d'altitude collection sur la photographie](#)

[janes 1981 82 aviation annual](#)

[japanese cinema encyclopedia horror fantasy and science fiction films](#)

[japans role in asia](#)

[japanese business cultural perspectives](#)

[janet hamm needs a date for the dance](#)

[james taylor live](#)

[japanese innovation strategies technical support for business visions](#)

[janes radar & electronic warfare 1990 91](#)

[japanese management tradition and transition](#)

[japanese army handbook 19391945](#)

[jamsas 1001 dos and pc tips](#)

[japanese movie posters](#)

[japanese power elite the](#)

[japans economic ascent; international trade growth and postwar reconstruction](#)

Factory Stereo Wiring Diagram For 2004 Chevy Impala :**ts grewal accountancy class 11 solution chapter 8 journal** - Mar 30 2022

web sep 10 2023 class 11 accountancy ts grewal solutions chapter 4 origin of transactions source documents and preparation of voucher ts grewal class 11

ts grewal accountancy class 11 solution chapter 11 - Nov 06 2022

web t s grewal s double entry book keeping financial accounting textbook for cbse class 11 2023 24 examination by t s grewal h s grewal et al 25 april 2023 4 2

t s grewal s double entry book keeping financial accounting - Apr 30 2022

web jul 2 2023 the name of the book is t s grewal s double entry book keeping financial accounting textbook for cbse class 11 it is the latest revised and updated 2022 23

ts grewal solutions class 11 accountancy chapter 1 - Jan 28 2022ts grewal class 11 solutions for accountancy byju s - Aug 15 2023

web sep 22 2021 we at byju s provide ts grewal class 11 solutions for accountancy to assist students to comprehend all the theories in particular there are numerous

cbse ts grewal solutions class 11 2022 23 commerce - Jul 14 2023

web feb 13 2023 are you looking for the solutions of ts grewal class 11 accountancy cbse board for the 2022 23 session i have solved all unsolved questions of all chapters of it

ts grewal solution for class 11 accountancy chapter 1 - Feb 09 2023

web oct 5 2021 ts grewal class 11 accountancy solutions chapter 1 makes sure you must know it from the roots only then you can track your business finances in forms like

double entry bookkeeping ts grewal class 11 pdf sarkari - Nov 25 2021**ts grewal solutions class 11 accountancy vedantu** - Jun 13 2023

web sep 9 2023 views today 7 75k ts grewal solutions class 11 accountancy chapter 1 basic accounting terms chapter 2 accounting equation chapter 3 accounting

t s grewal solutions for class 11 commerce accountancy cbse - May 12 2023

web t s grewal s book for financial accounting is a great reference guide for the commerce students of cbse class 11 financial accounting gets easy with complete examples

ts grewal class 11 accountancy solutions chapter 1 kopykitab - Sep 04 2022

web these chapter wise answers for class 11 accountancy have been prepared by expert teachers of grade 11 these ts grewal class 11 solutions have been designed as per

financial accounting t s grewal solutions for class 11 - Dec 27 2021

ts grewal solutions class 12 and 11 2023 2024 studiestoday - Aug 03 2022

web these ts grewal class 11 solutions have been designed as per the latest accountancy ts grewal book for class 11 and if practiced thoroughly can help you to score good

amazon in t s grewal books - Jun 01 2022

web t s grewal solutions for cbse class 11 commerce financial accounting chapter 2 basic accounting terms chapter 5 accounting equation chapter 6 accounting

t s grewal solutions for class 11 commerce accountancy - Jul 02 2022

web class 11 ts grewal solutions accountancy chapter 1 download pdf here also check class 11 accountancy syllabus chapter 1 accounting terms defines the below

ts grewal accountancy class 11 solutions 2019 - Jan 08 2023

web ts grewal has been one of the most widely read books by commerce students of class 11 and class 12 for accountancy the cbse solutions for ts grewal accountancy has

ts grewal accountancy class 11 solutions ncert books - Dec 07 2022

web apr 16 2020 t s grewal solutions for class 11 commerce accountancy cbse chapter 8 get free access to journal class 11 commerce solutions which includes all the

ts grewal class 11 solutions 2023 24 - Oct 05 2022

web it is published for classes xi and xii in english and hindi t s grewal s analysis of financial statements author of popular text books on accountancy for isc

ts grewal accountancy class 11 solution chapter 10 - Feb 26 2022

ts grewal solution for class 11 accountancy chapter 4 - Oct 25 2021

download ts grewal books for class 11 gonzert - Mar 10 2023

web ts grewal accountancy class 11 solutions 2021 are the part of ts grewal solutions double entry book keeping ts grewal accountancy class 11 solutions for board

t s grewal 2019 solutions for class 11 accountancy meritnation - Apr 11 2023

web textbook solutions class 11 accountancy t s grewal 2019 t s grewal 2019 solutions are considered an extremely helpful resource for exam preparation

engineering problem solving with c 4th edition vitalsource - Jun 18 2022

web jul 17 2004 in this revision of a popular book the best selling author provides a new theme for the real world engineering and scientific examples and problems used

engineering problem solving with c 4th edition etter solutions - Dec 25 2022

web in engineering problem solving with c 4e best selling author delores etter uses real world engineering and scientific examples and problems throughout the text solutions

pdf engineering problem solving with c by delores etter - Jan 26 2023

web mar 18 2016 in engineering problem solving with c 4e best selling author delores etter uses real world engineering and scientific examples and problems throughout the

engineering problem solving with c 4th edition - Jun 30 2023

web engineering problem solving with c delores m etter jeanine a ingber 3rd ed engineering problem solving with c delores m etter jeanine a ingber 3rd ed

engineering problem solving with c delores m etter jeanine - May 30 2023

web engineering problem solving with c international edition 4th edition published by pearson united kingdom may 16 2012 2012 delores m etter southern methodist

engineering problem solving with c delores m etter google - Nov 23 2022

web feb 4 2018 engineering problem solving with c 4th edition etter test bank by jammie issuu engineering problem solving with c 3e chapter 2 test bank

engineering problem solving with c 4th edition 4th edition - Sep 02 2023

web feb 7 2014 in engineering problem solving with c 4 edition best selling author delores etter uses real world engineering and scientific examples and problems

engineering problem solving with c 4th 4e pdf ebook download - Aug 21 2022

web engineering problem solving with c 4th edition is written by delores m etter and published by pearson the digital and etextbook isbn for engineering problem

engineering problem solving with c pearson - Mar 28 2023

web in engineering problem solving with c 4th edition best selling author delores etter uses real world engineering and scientific examples and problems throughout the text

engineering problem solving with c 4th edition etter solutions - Dec 13 2021

engineering problem solving with c 4th edition paperback - May 18 2022

web mar 14 2012 edition 4th book isbn 10 0 13 608531 8 isbn 13 978 0 13 608531 7 in engineering problem solving with c 4e best selling author delores etter uses real

engineering problem solving with c 4th edition etter test bank issuu - Sep 21 2022

web engineering problem solving with c 4th edition by etter ingber isbn 0134444299 9780134444291 download solution manual at testbankpack com p solution

engineering problem solving with c 4th edition blogger - Aug 01 2023

web in engineering problem solving with c 4e best selling author delores etter uses real world engineering and scientific examples and problems throughout the text solutions

engineering problem solving with c 4th edition etter - Oct 23 2022

web engineering problem solving with c 4th 4e delores m etter jeanine a ingber year 2017 isbn 13 9780134444291 isbn 10 engineering problem solving with c 4th

engineering problem solving with c international edition pearson - Apr 28 2023

web mar 8 2016 engineering problem solving with c 4th edition published by pearson march 7 2016 2017 delores m etter southern methodist university jeanine a

engineering problem solving with c 4th edition vitalsource - Feb 12 2022

web may 10 2018 engineering problem solving with c 4th edition etter solutions manual by a696658620 issuu full file at *engineering problem solving with c 4th edition vitalsource* - Nov 11 2021

engineering problem solving with c 4th edition etter test - Jul 20 2022

web mar 14 2012 in engineering problem solving with c 4e best selling author delores etter uses real world engineering and scientific examples and problems throughout the

engineering problem solving with c pearson - Jan 14 2022

web engineering problem solving with c 4th edition author s delores m etter jeanine a ingber publisher pearson format reflowable what s this print isbn

engineering problem solving with c 4th edition - Oct 03 2023

web mar 24 2012 in engineering problem solving with c 4e best selling author delores etter uses real world engineering and scientific examples and problems throughout the

engineering problem solving with c 3rd edition amazon com - Apr 16 2022

web engineering problem solving with c 4th edition author s delores m etter jeanine a ingber publisher pearson format

reflowable what s this print isbn

engineering problem solving with c 4th edition etter - Feb 24 2023

web engineering problem solving with c 4th edition etter solutions manual uploaded by kevinbensongjyx solutions manual
copyright all rights reserved available

engineering problem solving with c 4th edition informit - Mar 16 2022

web mar 8 2016 engineering problem solving with c 4th edition published by pearson march 7 2016 2017 delores m etter
southern methodist university jeanine a

puppetry of the penis tv total prosieben archive org - Aug 28 2022

web apr 10 2002 da staunt sogar sachsen paule was die jungs von puppetry of the penis mit ihren riemen so alles machen
können kann die sächsische pornobacke nicht mal aussprechen aber bei dem dialekt würde das auch kein mensch hören
wollen

puppetry of the penis youtube - May 25 2022

web apr 19 2020 cancel anytime tim chizmar and kayla rae attends the puppetry of the penisshow a k a the art of genital
origami in las vegas and interview the performers jamie morris

puppetry of the penis show off their tricks triple j - Jan 01 2023

web apr 10 2018 puppetry of the penis show off their tricks barry and rich from puppetry of the penis adult content you
might have heard of puppetry of the penis but have you ever wondered exactly what they do well it s pretty much the art of
genital origami and did you know it s something we can be proud of inventing

off the las vegas strip show seeks penis puppeteers - Mar 23 2022

web jan 3 2023 puppetry of the penis is a live las vegas performance show that features two nude men wearing capes and
manipulating their genitalia into different shapes kind of like an adult variation of

puppetry of the penis morley simon 1966 free download - Apr 04 2023

web puppetry of the penis by morley simon 1966 publication date 2000 topics origami generative organs male in art
generative organs male publisher london bantam

puppetry of the penis backstage - May 05 2023

web nov 4 2019 puppetry of the penis by laura weinert last updated november 4 2019 the penis is a many splendored thing
it s also far far more flexible than i had ever dreamed if you ve ever mused on

puppetry of the penis tackle happy tv guide - Jul 27 2022

web find out how to watch puppetry of the penis tackle happy stream puppetry of the penis tackle happy watch trailers see
the cast and more at tv guide

puppetry of the penis 31 photos 110 reviews yelp - Apr 23 2022

web last updated on 10 29 2023 110 reviews of puppetry of the penis this is a new to vegas show the performances are 5 days a week mon wed fri at 8pm at the theatre in the erotic heritage museum going into the show i was pretty clueless as to what to expect

[puppetry of the penis youtube](#) - Sep 09 2023

web mar 21 2008 puppetry of the penis make no mistake there are no sock puppets in this show from aussie creators simon morley and david friend this video takes you behind the scenes of the hit show

puppetry of the penis audience reactions youtube - Oct 30 2022

web mar 8 2017 puppetry of the penis audience reactions recorded at the 2017 adelaide fringe festival book tickets to see puppetry of the penis here alist com au puppetry of t more recorded

[puppetry of the p youtube](#) - Feb 19 2022

web sep 14 2017 this show will feature all of your favourites including the eiffel tower the lochness monster the pelican and of course the iconic hamburger but will also include a host of new in stallations

[puppetry of the penis still a hit 20 years on the scotsman](#) - Sep 28 2022

web aug 15 2017 puppetry of the penis still a hit 20 years on man charged with murder of woman in her 60s after serious assault liverpool s luis diaz s father freed inside 695k london 3 bed property that is an

[puppetry of the penis live collection vimeo](#) - Aug 08 2023

web apr 16 2020 puppetry of the penis has been enjoyed by bono hugh grant joan rivers lulu joan collins jackie collins elton john tim rice posh spice naomi campbell david beckham and ruby wax and toured across australia uk usa france and germany get educated with tackle happy a brave documentary film that follows 2

puppetry of the penis live collection - Jul 07 2023

web apr 16 2020 puppetry of the penis has been enjoyed by bono hugh grant joan rivers lulu joan collins jackie collins elton john tim rice posh spice naomi campbell david beckham and ruby wax and toured across australia uk

puppetry of the penis - Jun 25 2022

web enter main website

puppetry of the penis wikipedia - Oct 10 2023

web puppetry of the penis is a comedic live performance art show featuring a series of genital contortions the show was initially conceived as the title of a highbrow art calendar released by australian simon morley in 1996

puppetry of the penis the sit down comedy club - Mar 03 2023

web together simon and friendly s solo acts became puppetry of the penis and a global phenomenon was born their debut at

the 1998 melbourne international comedy festival was a huge hit kicking off an eight month tour of australia

ep135 puppetry of the penis youtube - Jun 06 2023

web apr 30 2020 13k views 3 years ago simon moorely and friendly are the comedy duo better known as puppetry of the penis puppetryofthep they ve been performing their penis art for more 20 years toured

2023 puppetry of the penis tripadvisor - Feb 02 2023

web may 13 2019 puppetry of the penis by erotic heritage museum las vegas 20 reviews recommended by 95 of travelers see all photos about when you visit las vegas opt for a show unlike any other by bagging yourself a ticket to puppetry of the penis a performance focused on genital origami

remember puppetry of the penis jezebel - Nov 30 2022

web jan 26 2021 puppetry of the penis was created in australia by puppeteers simon morley and david friend two men who realized that making inanimate objects out of their dicks was funny and that people would