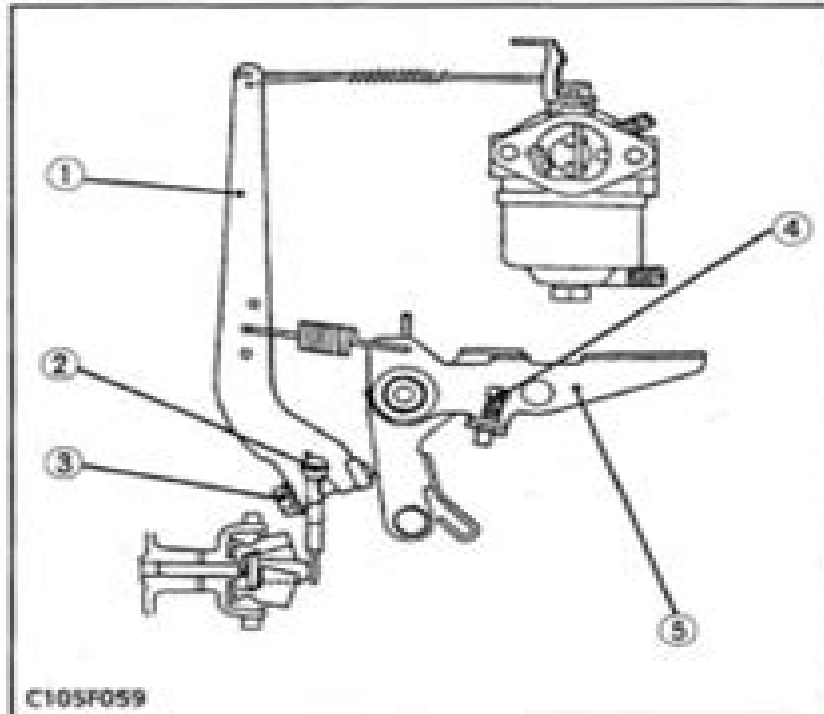


[2] GOVERNOR



Adjusting Governor and Maximum No-load Speed

1. Loosen tightening screw (3) at the lower end of governor lever (1).
2. Pushing the throttle valve to the fully open position with the governor lever, turn the groove on the governor lever shaft (2) fully clockwise with a screwdriver, and then tighten the screw in that position.
3. Start the engine, and adjust the high-speed adjusting screw (4) until the PTO shaft speed reaches 3900 to 4000 rpm (D type) or 1950 to 2050 rpm (G type) with the speed control lever (5) in the maximum speed position.

Tightening torque	Governor lever tightening screw	GH120 GH130 GH170 GH170-1	6.9 to 15.7 N·m 0.7 to 1.6 kgf·m 5.1 to 11.6 ft·lbs
		GH250 GH280 GH340	10.8 to 24.5 N·m 1.1 to 2.5 kgf·m 8.0 to 18.1 ft·lbs
		GH400	10.8 to 19.6 N·m 1.1 to 2.0 kgf·m 8.0 to 14.5 ft·lbs

- (1) Governor Lever
- (2) Governor Lever Shaft
- (3) Screw

- (4) High-Speed Adjusting screw
- (5) Speed Control Lever

Kubota Gh Manual

R Sandford



Kubota Gh Manual:

Booker Tropical Soil Manual J.R. Landon, 2014-01-27 First published in 1991 This is a more portable version of the Booker Tropical Soil Manual in which the format and weight of the first edition have been reduced whilst retaining as much as possible of the original clarity It also includes new content and appendices that cover the revised FAO publications on soil classification and on water quality for agriculture

Manual of Endocrinology and Metabolism Norman Lavin, 2018-03-13 Ideal for all health care professionals who evaluate diagnose treat or refer patients with endocrine disease or disorders Manual of Endocrinology and Metabolism Fifth Edition brings together nearly 150 global authorities who share their knowledge and expertise on endocrine disorders in children adolescents and adults Using a concise outline format this thoroughly updated manual presents clinical information and protocols needed in everyday practice with an emphasis on diagnosis and treatment Succinct chapters and an abundance of tables and diagrams make complex information easy to find and understand

Manual of Molecular and Clinical Laboratory Immunology Barbara Detrick, John L. Schmitz, Robert G. Hamilton, 2020-07-16 THE authoritative guide for clinical laboratory immunology For over 40 years the Manual of Molecular and Clinical Laboratory Immunology has served as the premier guide for the clinical immunology laboratory From basic serology testing to the present wide range of molecular analyses the Manual has reflected the exponential growth in the field of immunology over the past decades This eighth edition reflects the latest advances and developments in the diagnosis and treatment of patients with infectious and immune mediated disorders The Manual features detailed descriptions of general and specific methodologies placing special focus on the interpretation of laboratory findings and covers the immunology of infectious diseases including specific pathogens as well as the full range of autoimmune and immunodeficiency diseases cancer and transplantation Written to guide the laboratory director the Manual will also appeal to other laboratory scientists especially those working in clinical immunology laboratories and pathologists It is also a useful reference for physicians mid level providers medical students and allied health students with an interest in the role that immunology plays in the clinical laboratory

The SAGES Manual Operating Through the Endoscope Matthew Kroh, Salvatore Docimo Jr., Sofiane El Djouzi, Amber Shada, Kevin M. Reavis, 2023-03-13 In 2016 the first edition of the SAGES Manual Operating through the Endoscope was published At the time this represented a review of cutting edge new technologies that were being introduced within the field of flexible endoscopy Largely based on applications and data up to 2013 this served as a unique resource for clinicians and researchers to learn about this expanding field Since then there has been a significant expansion of new technologies and procedures within this discipline that have meaningfully changed this entire sub specialty In addition large numbers of high quality data have emerged that support more heartily the safety and efficacy of these techniques Major international societies now routinely include hands on training and scientific content of this field in meetings and educational efforts and many trainees and practitioners are looking for resources to improve their knowledge and technical skills sets For

these reasons an update on this rapidly advancing field seems appropriate at this time given the enormous amount of new content available Endoscopic surgical procedures allow for less invasive access for performing increasingly complex procedures This results in maximal benefit for patients with fewer complications faster recovery and less pain Endoscopy allows access to the gastrointestinal tract without transgressing the abdominal or chest walls by means of a truly less invasive route These technologies and skills are being sought out by practitioners and asked for by patients The proposed textbook is designed to present a comprehensive and state of the art approach to the diverse applications of surgical techniques and procedures through the endoscopic platform Written by experts and emerging specialists in that field each of these sections will address patient selection pre operative considerations technical conduct of the most common operations and avoiding complications A review of the existing literature addressing the particular topic will follow in each section Extensive endoscopic images and illustrations will make this an interactive text In addition to updates on most topics in the previous manual this edition will include exciting new fields of advanced imaging artificial intelligence and augmented imaging applications of robotics to endoscopy and more robust exposure of endoscopic applications for treatment of obesity a worldwide epidemic The subject of surgical endoscopy has changed meaningfully since publication of the first edition now a substantial focus of major journals scientific meetings and online platforms A timely update can capture this broad subject in an accessible manual focused on technologies and data supporting these interventions

The Fusarium Laboratory Manual
John F. Leslie, Brett A. Summerell, 2008-02-28 For the first time in over 20 years a comprehensive collection of photographs and descriptions of species in the fungal genus *Fusarium* is available This laboratory manual provides an overview of the biology of *Fusarium* and the techniques involved in the isolation identification and characterization of individual species and the populations in which they occur It is the first time that genetic morphological and molecular approaches have been incorporated into a volume devoted to *Fusarium* identification The authors include descriptions of species both new and old and provide protocols for genetic morphological and molecular identification techniques The *Fusarium Laboratory Manual* also includes some of the evolutionary biology and population genetics thinking that has begun to inform the understanding of agriculturally important fungal pathogens In addition to practical how to protocols it also provides guidance in formulating questions and obtaining answers about this very important group of fungi The need for as many different techniques as possible to be used in the identification and characterization process has never been greater These approaches have applications to fungi other than those in the genus *Fusarium* This volume presents an introduction to the genus *Fusarium* the toxins these fungi produce and the diseases they can cause The *Fusarium Laboratory Manual* is a milestone in the study of the genus *Fusarium* and will help bridge the gap between morphological and phylogenetic taxonomy It will be used by everybody dealing with *Fusarium* in the Third Millennium W F O Marasas Medical Research Council South Africa

Manual of Molecular and Clinical Laboratory Immunology John L. Schmitz, Barbara Detrick, Maurice R. G. O'Gorman, 2024-11-15

THE authoritative guide for clinical laboratory immunology For nearly 50 years the Manual of Molecular and Clinical Laboratory Immunology has been the premier resource for laboratories students and professionals involved in the clinical and technical details of diagnostic immunology testing The 9th Edition continues its tradition of providing comprehensive clinical and technical information on the latest technologies used in medical and diagnostic immunology Led by a world renowned group of authors and editors this new edition reflects substantial changes aimed at improving and updating the Manual s utility while reflecting the significant transformations that have occurred since the last edition including the revolution of gene editing and the widespread adoption of molecularly engineered cellular therapies Topical highlights include Laboratory Management three new chapters cover essential aspects of quality assurance quality improvement and quality management aligning with the increasingly stringent and demanding regulatory environment Inborn Errors of Immunity the primary immunodeficiency section has been completely updated to align with the latest International Union of Immunological Societies classifications of inborn errors of immunity Functional Cellular Assays expanded content includes detailed discussions on various functional assays critical for modern immunologic testing Autoimmune Diseases expanded chapters on systemic and organ specific autoimmune disorders including new chapters on Sj gren s syndrome and deficiency of ADA2 as well as significant updates on organ specific autoimmune diseases Transplantation Immunology updated chapters detail the assessment of immune reconstitution and ABO testing reflecting latest practices The 9th Edition of the Manual of Molecular and Clinical Laboratory Immunology serves as an invaluable resource for laboratory directors clinicians laboratory managers technologists and students It provides critical insights into the selection application and interpretation of immunologic tests offering practical guidance on troubleshooting clinical application and an understanding of test limitations This comprehensive and up to date manual remains an essential tool for anyone involved in the diagnosis evaluation and management of immune mediated and immune system related disorders

Manual de Vermicompostagem e

Vermicultura para a Agricultura Orgânica Nelson Lourenço,2014-03-03 A vermicompostagem e a vermicultura possuem um papel fundamental na manutenção dos ecossistemas agrícolas e no desenvolvimento de uma agricultura sustentável sendo a sua fertilização baseada numa utilização de fatores de produção de características orgânicas que promovem a valorização dos resíduos e a ciclagem e dinâmica dos nutrientes no solo e na planta Nesta base o tratamento dos resíduos da exploração por vermicompostagem a produção de minhocas em vermicultura e a aplicação de produtos resultantes da vermicompostagem constituem atividades que deverão ser realizadas de forma correta e rigorosa de modo a gerarem com os benefícios ambientais crescimento autonomia para o produtor Este livro desenvolvido para técnicos do Ambiente e Agronomia bem como para todos os que de uma forma geral pratiquem ou pretendam desenvolver agricultura e horticultura familiar rural ou urbana de uma forma sustentável permite desmistificar mas sobretudo inovar de uma forma que técnica quer prática os principais conceitos acerca da vermicompostagem e da vermicultura Escrito por Nelson Lourenço especialista em

vermiculture este livro tem como objetivo servir de apoio decisivo dos produtores e afirmar-se como uma referência para a utilização da vermicompostagem e da vermicultura nas explorações e hortas familiares ou na sua impossibilidade simplesmente na utilização dos produtos obtidos a partir destas

CRC Handbook of Mariculture James P. McVey, 1993-04-26 The Second Edition of the CRC Handbook of Mariculture provides an extensive comparison of marine shrimp culture techniques from around the world This extensively revised and updated Second Edition focuses on growout systems that have contributed to the production success of shrimp farms and systems worldwide Topics covered include methods for the culture and preparation of algae rotifers Artemia and other foodstuffs for use in crustacean farms recent developments on enriching larval food organisms to improve crustacean diets conditioning and spawning penaeid shrimp obtaining and manipulating shrimp eggs and sperm for controlled reproduction and use of intensive nursery raceways for juvenile shrimp production and discussions of many types of marine shrimp growout systems In addition culture systems used in Hawaii Ecuador Taiwan and Japan are described in detail Significant new information from Japan on hormonal control of penaeid shrimp maturation and spawning is discussed Marine shrimp and Macrobrachium shrimp diseases by the foremost authorities in the area are presented with detailed photographs and illustrations to help identify diseases The book also includes an update on American lobster larval and juvenile culture

Growth Hormone Therapy in Pediatrics - 20 Years of KIGS M. B. Ranke, D. A. Price, E. O. Reiter, 2007-04-27 For 20 years KIGS Pfizer International Growth Database has provided an outstanding tool for monitoring the use efficacy and safety of growth hormone GH treatment in children with short stature of varying origin This volume offers a comprehensive update of the continuing experiences in KIGS and is based on data from more than 50 countries and more than 60 000 patients International experts analyse in detail the basic auxological characteristics of patients and their response to GH treatment for a broad spectrum of growth disorders These include idiopathic GH deficiency organic GH deficiency due to a variety of causes such as congenital malformations and syndromes genetic disorders or treatment for leukaemia or central nervous system tumours and short stature in children born small for gestational age specific syndromes and systemic disorders Each growth disorder is also covered by a review of relevant published data by international experts KIGS has also established itself as a primary source of information about adverse events during long term GH treatment in children The recent analysis of KIGS data has revealed no new adverse drug reactions since the 10 year follow up Therefore treatment with GH seems a low risk intervention in children and adolescents with various growth disorders The process of developing disease specific growth response prediction models has been ongoing in KIGS for many years The available models are accurate precise and have a relatively high degree of predictive power although further predictors of the growth response remain to be identified The KIGS prediction models can be applied prospectively to new patients enabling their GH therapy to be better tailored and monitored to achieve optimal growth safety and cost outcomes The future of KIGS within the era of evidence based medicine will continue to depend upon the quality of

the data reported Therefore the commitment of participating physicians will continue to be a decisive element The ongoing recognition of the importance of valid safety and efficacy information in the practice of paediatric endocrinology is exemplified by this valuable international collaboration of clinicians and the pharmaceutical community Power System Simulation J.P. Barret,P. Bornard,B. Meyer,1996-12-31 The authors writing with the experience and technological background of Electricite de France an organisation at the forefront of simulation methods provide a comprehensive and comprehensible treatment of the modelling and simulation techniques currently in use The text emphasises model design applied to power plants producing energy generators and motors carrying out energy transformations and networks transmitting energy The systems are analysed considering each process from steady state to fast transients with detailed explanation of the problem to be solved the choice of models and methods for optimising efficiency Many examples and references are provided The book is essential reading for anyone involved in power system engineering from practising design and development engineers to researchers and postgraduate and advanced graduate students *Transplant Production in the 21st Century* Chieri Kubota,Changhoo Chun,2013-11-11 We are facing global issues concerning environmental pollution and shortages of food feed phytomass plant biomass and natural resources which will become more serious in the forthcoming decades To solve these issues immeasurable numbers of various plants and huge amounts of phytomass are required every year for food feed and for the improvement of amenities the environment and our quality of life Increased phytomass is also required as alternative raw material for producing bio energy biodegradable plastics and many other plant originated industrial products Only by using phytomass as a reproducible energy source and raw material instead of fossil fuels and atomic power we can save natural resources and minimize environmental pollution To increase phytomass globally we need billions of quality transplants small plants to be grown yearly in the field or in the greenhouse under various environmental conditions However these high quality transplants can be produced only under carefully controlled rather than variable environmental conditions Recent research has shown that the closed transplant production system requires considerably small amounts of electricity water fertilizer CO and pesticide to produce value added transplants as scheduled with minimum release of environmental pollutants and minimum loss of transplants The closed or closed type transplant production system is defined as a transplant production system covered with opaque walls with minimized or controlled ventilation rates using artificial lighting With this system photoperiod light intensity and quality air temperature humidity CO concentration and air current speed can be controlled as desired Electron-Microscopy-Based Tools for Imaging Cellular Circuits and Organisms Yoshiyuki Kubota,2019-12-30 *Encyclopedic Dictionary of Polymers* Jan W. Gooch,2010-11-08 This reference in its second edition contains more than 7 500 polymeric material terms including the names of chemicals processes formulae and analytical methods that are used frequently in the polymer and engineering fields In view of the evolving partnership between physical and life sciences this title includes an appendix of biochemical and microbiological

terms thus offering previously unpublished material distinct from all competitors Each succinct entry offers a broadly accessible definition as well as cross references to related terms Where appropriate to enhance clarity further the volume s definitions may also offer equations chemical structures and other figures The new interactive software facilitates easy access to a large database of chemical structures 2D 3D view audio files for pronunciation polymer science equations and many more

Distribution of Trace Elements Related to the Occurrence of Certain Cancers, Cardiovascular Diseases, and Urolithiasis U.S. National Committee for Geochemistry. Subcommittee on the Geochemical Environment in Relation to Health and Disease,1978 Abstract An attempt is made to identify relationships between the geochemical environment and certain diseases cancer cardiovascular disease and urolithiasis The sources of trace elements and simple inorganic compounds are discussed as well as radioactive elements Water quality and soil types are analyzed and related to plant foods and the bioavailability of trace elements There are plants that accumulate certain elements such as selenium fluorine and zinc Phytates are an example of the interaction of substances within plants The effects on food of processing sewage recycling and coal fly ash are considered Data and maps show the links of environmental factors to the diseases

Dairy Cattle Feeding and Nutrition W. J. Miller,2012-12-02 Dairy Cattle Feeding and Nutrition was designed to provide information needed by those interested in the feeding and nutrition of dairy cattle It contains basic information for students in courses on feeds and feeding dairy cattle production and animal nutrition *Small-scale Marine Fisheries* ,1983

Cosmetic Dermatologic Surgery Macrene Alexiades,Amanda Zubek,2019-10-17 This new comprehensive reference is tailor made for residents surgeons and dermatologists and features the latest medical cosmetic and surgical treatments for a variety of skin conditions Unlike many procedural references the book is organized by disorder so you can make better informed treatment options A must have for cosmetic dermatologists or plastic surgeons **Bibliography of Agriculture**

,1968-08 **Williams Textbook of Endocrinology E-Book** Shlomo Melmed,Kenneth S. Polonsky,P. Reed Larsen,Henry M. Kronenberg,2011-05-12 The latest edition of Williams Textbook of Endocrinology edited by Drs Shlomo Melmed Kenneth S Polonsky P Reed Larsen and Henry M Kronenberg helps you diagnose and treat your patients effectively with up to the minute practical know how on all endocrine system disorders Comprehensive yet accessible this extensively revised 12th Edition updates you on diabetes metabolic syndrome obesity thyroid disease testicular disorders and much more so you can provide your patients with the most successful treatments Find scientific insight and clinical data interwoven in every chapter reflecting advances in both areas of this constantly changing discipline and presented in a truly accessible format You ll also access valuable contributions from a dynamic list of expert authors and nearly 2 000 full color images to help you with every diagnosis This title has everything you need to manage any and all the clinical endocrinopathies you may encounter Rely on the one reference that integrates rapidly evolving basic and clinical science in a cohesive user friendly format definitively addresses every topic in the field and has remained a standard for more than half a century Update your

know how and skills to diagnose and treat your patients most effectively with exhaustively revised content on diabetes metabolic disease thyroid cancer fertility problems testicular problems weight issues and much more Apply reliable guidance on endocrine conditions of growing interest like hypothyroidism and testicular disorders with dedicated new chapters that expound on the latest research findings Overcome any clinical challenge with comprehensive and easy to use coverage of everything from hormone activity diagnostic techniques imaging modalities and molecular genetics to total care of the patient Apply the latest practices with guidance from expert authors who contribute fresh perspectives on every topic

Uncover the mysteries within Crafted by is enigmatic creation, Discover the Intrigue in **Kubota Gh Manual** . This downloadable ebook, shrouded in suspense, is available in a PDF format (PDF Size: *). Dive into a world of uncertainty and anticipation. Download now to unravel the secrets hidden within the pages.

https://staging.conocer.cide.edu/results/publication/index.jsp/Ipod_Nano_1st_Generation_Manual.pdf

Table of Contents Kubota Gh Manual

1. Understanding the eBook Kubota Gh Manual
 - The Rise of Digital Reading Kubota Gh Manual
 - Advantages of eBooks Over Traditional Books
2. Identifying Kubota Gh Manual
 - Exploring Different Genres
 - Considering Fiction vs. Non-Fiction
 - Determining Your Reading Goals
3. Choosing the Right eBook Platform
 - Popular eBook Platforms
 - Features to Look for in an Kubota Gh Manual
 - User-Friendly Interface
4. Exploring eBook Recommendations from Kubota Gh Manual
 - Personalized Recommendations
 - Kubota Gh Manual User Reviews and Ratings
 - Kubota Gh Manual and Bestseller Lists
5. Accessing Kubota Gh Manual Free and Paid eBooks
 - Kubota Gh Manual Public Domain eBooks
 - Kubota Gh Manual eBook Subscription Services
 - Kubota Gh Manual Budget-Friendly Options
6. Navigating Kubota Gh Manual eBook Formats

- ePub, PDF, MOBI, and More
 - Kubota Gh Manual Compatibility with Devices
 - Kubota Gh Manual Enhanced eBook Features
7. Enhancing Your Reading Experience
 - Adjustable Fonts and Text Sizes of Kubota Gh Manual
 - Highlighting and Note-Taking Kubota Gh Manual
 - Interactive Elements Kubota Gh Manual
 8. Staying Engaged with Kubota Gh Manual
 - Joining Online Reading Communities
 - Participating in Virtual Book Clubs
 - Following Authors and Publishers Kubota Gh Manual
 9. Balancing eBooks and Physical Books Kubota Gh Manual
 - Benefits of a Digital Library
 - Creating a Diverse Reading Collection Kubota Gh Manual
 10. Overcoming Reading Challenges
 - Dealing with Digital Eye Strain
 - Minimizing Distractions
 - Managing Screen Time
 11. Cultivating a Reading Routine Kubota Gh Manual
 - Setting Reading Goals Kubota Gh Manual
 - Carving Out Dedicated Reading Time
 12. Sourcing Reliable Information of Kubota Gh Manual
 - Fact-Checking eBook Content of Kubota Gh Manual
 - Distinguishing Credible Sources
 13. Promoting Lifelong Learning
 - Utilizing eBooks for Skill Development
 - Exploring Educational eBooks
 14. Embracing eBook Trends
 - Integration of Multimedia Elements
 - Interactive and Gamified eBooks

Kubota Gh Manual Introduction

In this digital age, the convenience of accessing information at our fingertips has become a necessity. Whether its research papers, eBooks, or user manuals, PDF files have become the preferred format for sharing and reading documents. However, the cost associated with purchasing PDF files can sometimes be a barrier for many individuals and organizations. Thankfully, there are numerous websites and platforms that allow users to download free PDF files legally. In this article, we will explore some of the best platforms to download free PDFs. One of the most popular platforms to download free PDF files is Project Gutenberg. This online library offers over 60,000 free eBooks that are in the public domain. From classic literature to historical documents, Project Gutenberg provides a wide range of PDF files that can be downloaded and enjoyed on various devices. The website is user-friendly and allows users to search for specific titles or browse through different categories. Another reliable platform for downloading Kubota Gh Manual free PDF files is Open Library. With its vast collection of over 1 million eBooks, Open Library has something for every reader. The website offers a seamless experience by providing options to borrow or download PDF files. Users simply need to create a free account to access this treasure trove of knowledge. Open Library also allows users to contribute by uploading and sharing their own PDF files, making it a collaborative platform for book enthusiasts. For those interested in academic resources, there are websites dedicated to providing free PDFs of research papers and scientific articles. One such website is Academia.edu, which allows researchers and scholars to share their work with a global audience. Users can download PDF files of research papers, theses, and dissertations covering a wide range of subjects. Academia.edu also provides a platform for discussions and networking within the academic community. When it comes to downloading Kubota Gh Manual free PDF files of magazines, brochures, and catalogs, Issuu is a popular choice. This digital publishing platform hosts a vast collection of publications from around the world. Users can search for specific titles or explore various categories and genres. Issuu offers a seamless reading experience with its user-friendly interface and allows users to download PDF files for offline reading. Apart from dedicated platforms, search engines also play a crucial role in finding free PDF files. Google, for instance, has an advanced search feature that allows users to filter results by file type. By specifying the file type as "PDF," users can find websites that offer free PDF downloads on a specific topic. While downloading Kubota Gh Manual free PDF files is convenient, its important to note that copyright laws must be respected. Always ensure that the PDF files you download are legally available for free. Many authors and publishers voluntarily provide free PDF versions of their work, but its essential to be cautious and verify the authenticity of the source before downloading Kubota Gh Manual. In conclusion, the internet offers numerous platforms and websites that allow users to download free PDF files legally. Whether its classic literature, research papers, or magazines, there is something for everyone. The platforms mentioned in this article, such as Project Gutenberg, Open Library, Academia.edu, and Issuu, provide access to a vast collection of PDF files. However, users should always be cautious and verify the legality of the source

before downloading Kubota Gh Manual any PDF files. With these platforms, the world of PDF downloads is just a click away.

FAQs About Kubota Gh Manual Books

What is a Kubota Gh Manual PDF? A PDF (Portable Document Format) is a file format developed by Adobe that preserves the layout and formatting of a document, regardless of the software, hardware, or operating system used to view or print it.

How do I create a Kubota Gh Manual PDF? There are several ways to create a PDF: Use software like Adobe Acrobat, Microsoft Word, or Google Docs, which often have built-in PDF creation tools. Print to PDF: Many applications and operating systems have a "Print to PDF" option that allows you to save a document as a PDF file instead of printing it on paper. Online converters: There are various online tools that can convert different file types to PDF.

How do I edit a Kubota Gh Manual PDF? Editing a PDF can be done with software like Adobe Acrobat, which allows direct editing of text, images, and other elements within the PDF. Some free tools, like PDFescape or Smallpdf, also offer basic editing capabilities.

How do I convert a Kubota Gh Manual PDF to another file format? There are multiple ways to convert a PDF to another format: Use online converters like Smallpdf, Zamzar, or Adobe Acrobat's export feature to convert PDFs to formats like Word, Excel, JPEG, etc. Software like Adobe Acrobat, Microsoft Word, or other PDF editors may have options to export or save PDFs in different formats.

How do I password-protect a Kubota Gh Manual PDF? Most PDF editing software allows you to add password protection. In Adobe Acrobat, for instance, you can go to "File" -> "Properties" -> "Security" to set a password to restrict access or editing capabilities. Are there any free alternatives to Adobe Acrobat for working with PDFs? Yes, there are many free alternatives for working with PDFs, such as: LibreOffice: Offers PDF editing features. PDFsam: Allows splitting, merging, and editing PDFs. Foxit Reader: Provides basic PDF viewing and editing capabilities. How do I compress a PDF file?

You can use online tools like Smallpdf, iLovePDF, or desktop software like Adobe Acrobat to compress PDF files without significant quality loss. Compression reduces the file size, making it easier to share and download. Can I fill out forms in a PDF file? Yes, most PDF viewers/editors like Adobe Acrobat, Preview (on Mac), or various online tools allow you to fill out forms in PDF files by selecting text fields and entering information. Are there any restrictions when working with PDFs?

Some PDFs might have restrictions set by their creator, such as password protection, editing restrictions, or print restrictions. Breaking these restrictions might require specific software or tools, which may or may not be legal depending on the circumstances and local laws.

Find Kubota Gh Manual :

~~ipod nano 1st generation manual~~

ipod classic parts user manual

investments bodie kane marcus 9th edition manual

iphone model a133user manual

~~ipod model a1320 user manual~~

iphone 4 for dummies book

ipt electrical training manual

~~ipod model a1236 user manual~~

invitrogen multisite gateway manual

ios programming the big nerd ranch guide th edition

iq service manual

~~ipad 4 retina wallpaper~~

iphone 3gs manual update

~~investments bkm 9th edition solutions~~

ipad ios user guide

Kubota Gh Manual :

the covenant elloras cave sam arabtravelers - Apr 30 2022

web the covenant elloras cave 3 3 many longstanding beliefs about our ancestors are being overturned through this celestial journey readers of all backgrounds will learn the basics about this exciting field and share in the wonders of cultural

astronomy the book of solomon s magick writers digest books from the bestselling pete the cat series

the covenant elloras cave whm frontlinepolicy com - Aug 03 2022

web covenant elloras cave can be taken as with ease as picked to act the covenant elloras cave 2021 01 01 sasha jacobs

nubia and abyssinia intervarsity press new in paperback this stunningly photographed book was hailed by the times higher education supplement as one of the most gorgeous and stimulating books of indian art ever

the covenant ellora s cave evangeline anderson - Feb 26 2022

web the covenant ellora s cave evangeline anderson the auspicious dragon in chinese decorative art exhibition the katonah gallery september 24 to november 26 1978 sandra carr grant a manual of catholic theology volume 1 thomas b scannell dd

kitten play kirsty seymour ure reducing fat 7 ways to burn fat lose inches

[ellora caves world history encyclopedia](#) - Jul 14 2023

web mar 8 2016 ellora also known as elura and in ancient times as elapura is a sacred site in maharashtra central india the ellora caves are listed by unesco as a world heritage site and is celebrated for its hindu buddhist and jain temples and monuments which were carved from the local cliff rock in the 6th to 8th century ce

[the covenant ellora s cave taschenbuch 12 juni 2012 amazon de](#) - Jan 08 2023

web the covenant ellora s cave anderson evangeline isbn 9781419966026 kostenloser versand für alle bücher mit versand und verkauf duch amazon

[the covenant ellora s cave evangeline anderson](#) - Sep 04 2022

web the covenant ellora s cave evangeline anderson the politics of industrial mobilization in russia 1914 17 st antony s series lewis h siegelbaum strategic intervention teacher resource book kindergarten harcourt school publishers storytown harcourt school publishers marketing the core roger kerin enterprise security solaris operating

[the covenant elloras cave download only](#) - May 12 2023

web edition of a history of asia continues as a leader in its field the covenant jun 13 2023 kaitlyn richards is a witch with powers beyond the norm her unique abilities make her one of the few people in the state of florida qualified to be an s e [the covenant elder scrolls fandom](#) - Dec 27 2021

web characters thaeril location id tel mora the covenant not to be confused with covenant or daggerfall covenant the covenant is a tavern located in tel mora thaeril is the publican and she offers a limited selection of

[unfolding a maṇḍala the buddhist cave temples at ellora](#) - Mar 30 2022

web details for unfolding a maṇḍala the buddhist cave temples at ellora normal view marc view isbd view unfolding a maṇḍala the buddhist cave temples at ellora by

the covenant elloras cave 50storiesfortomorrow ilfu com - Dec 07 2022

web the covenant elloras cave thank you very much for reading the covenant elloras cave as you may know people have look numerous times for their chosen books like this the covenant elloras cave but end up in malicious downloads rather than reading a good book with a cup of tea in the afternoon instead they cope with some

ellora caves wikipedia - Apr 11 2023

web ellora caves are situated 29 kilometres 18 miles north west of aurangabad and about 300 kilometres 190 miles east northeast of mumbai today the ellora caves along with the nearby ajanta caves are a major tourist attraction in the marathwada region of maharashtra and a are a protected monument under the archaeological survey of india

the covenant elloras cave reserve lasd org - Jul 02 2022

web ellora s cave ellora s cave romance and erotic romance the covenant ellora s cave by evangeline anderson historical dictionary of track and field historical may 2nd 2018 new covenant in my blood 1 corinthians 11 25 to what was he referring fri 27 apr 2018 08 16 00 gmt covenant ellora s cave keywords

the covenant elloras cave book cyberlab sutd edu sg - Feb 09 2023

web the covenant elloras cave into the darkness apr 23 2022 after arriving in new orleans escaping from a tragic past the virginal beauty falls victim to a series of strange unearthly attacks and for the first time in her life she *the covenant ellora s cave by evangeline anderson 2012 06* - Nov 06 2022

web the covenant ellora s cave by evangeline anderson 2012 06 12 books amazon ca

ellora s cave wikipedia - Mar 10 2023

web ellora s cave was an independent erotic fiction publisher it was launched in 2000 and initially published in e book only format and later moved into print ellora s cave published in several genres which included but were not limited to adult romance erotica erotica for men non fiction and traditional romance

[a study on the ark of the covenant tabot in ethiopian culture](#) - Jan 28 2022

web the inspiration name content and fate of the ark of the covenant which god had moses build with the sinai revelation has been the subject of many studies since this issue has been mentioned in the qur an it has also become the agenda of muslims due to its extraordinary powers there have been different narrations about the ark in

ellora caves ancient temples rock cut architecture india - Jun 13 2023

web aug 23 2023 ellora caves ellora caves ellora also spelled elura a series of 34 magnificent rock cut temples in northwest central maharashtra state western india they are located near the village of ellora 19 miles 30 km northwest of aurangabad and 50 miles 80 km southwest of the ajanta caves

end of ellora s cave unsuitable sites duke - Oct 05 2022

web founded in 2000 by a romance writer named tina engler ellora s cave was the first platform to publish novels that were sexually explicit in nature for years the company did well bringing together readers and writers who were frustrated with the lack of sexual content used in most romance novels at the time

[the covenant ellora s cave evangeline anderson](#) - Jun 01 2022

web the covenant ellora s cave evangeline anderson jason cohen was like the guy from typical books rich popular sexy the it guy but as the girl he had been hearing about all his life enters his life everything changes

[ellora caves unesco world heritage centre](#) - Aug 15 2023

web ellora caves these 34 monasteries and temples extending over more than 2 km were dug side by side in the wall of a high basalt cliff not far from aurangabad in maharashtra ellora with its uninterrupted sequence of monuments dating from a

d 600 to 1000 brings the civilization of ancient india to life

computer networking syllabus bca collegenote - Jun 25 2022

web course description this course offers detailed concept and structure of networking standards and principles it includes introduction functioning and significance of physical layer data link layer network layer transport layer application layer and some security mechanisms

bca notes pdf bca 1st year 2nd year and 3rd year - Jul 07 2023

web jun 11 2023 hello friends here i am going to provide you notes of the bca course all these notes are going to be very helpful in your preparation if you prepare for the exam properly with these notes then you can bring very good marks in the exam

computer networks notes pdf syllabus 2023 b tech - Mar 03 2023

web jan 11 2023 computer networks notes computer networkssubject is included in b tech cse bca mca m tech so students can able to download computer networks notes for cse 5th sem computer networks bca notes computer networks notes for cse 4th semand available in computer networks notes pdf table of content

[data communication and networking notes pdf 2023 b tech data](#) - Mar 23 2022

web mar 21 2020 how data communication and networking notes pdf syllabus books for b tech m tech got complete lecture notes course question glass tutorials

bca iv sem data network communication studocu - Jul 27 2022

web bca iv sem unit i data communication system data communication refers to the exchange of data between a source and a receiver data communication is said to be local if communicating devices are in the same building or a similarly restricted geographical area the meanings of source and receiver are very simple

[data communication and networking notes pdf 2023 b tech 5 sem bca](#) - Nov 30 2022

web mar 21 2020 download intelligence communication and networking notes pdf syllabus books for b tech thousand tech get complete lecture tips course question paper tutorials

data communication computer networks handwritten notes pdf - Jun 06 2023

web in these free computer networks handwritten notes pdf we will study the concepts of data communication and computer networks which comprises of the study of the standard models for the layered protocol architecture to communicate between autonomous computers in a network and also the main features and issues of

data communication and networking notes pdf 2023 b tech dcn notes - Feb 19 2022

web mar 21 2020 download dates communication real networking notes pdf syllabus books for b tech m tech received complete lecture cash course problem hard tutorials

data communications networks bca404 studocu - Feb 02 2023

web year ratings studying data communications networks bca404 at bangalore university on studocu you will find 43 lecture notes practice materials summaries mandatory

data communication and computer network complete bca notes - Apr 23 2022

web jul 1 2023 the data communication and computer network complete bca notes pdf offers students a comprehensive coverage of essential concepts it encompasses topics such as network models network protocols data

data communication computer networks notes bca pdf - Aug 08 2023

web 6 data communication and computer networks notes swetha r frequency range 1ghz 300ghz these are majorly used for mobile phone communication and television distribution iii infrared infrared waves are used for very short distance communication they cannot penetrate through obstacles this prevents interference

computer networks bca notes - Jan 01 2023

web a computer network is a network of computers that are geographically distributed but connected in a manner to enable meaningful transmission and exchange of data among them basic elements of a communication system sender creates and sends a message medium carriers a message receiver receives a message example medium

bca notes networking - Sep 09 2023

web computer network is a data communications system that helps us to interconnect two or more computing equipments at different parts of a room building campus continent or even planets some notes of networking are as follows data communication networking models networks type multiplexing switching techniques transmission

bca 14 i need a necessary notes for a semester bca data - Oct 30 2022

web computer network definition goals structure broadcast and point to point networks network topology and their various types types of network lan man wan server based lans peer to peer lans communications types synchronous asynchronous modes of communication simplex half duplex full duplex protocols and standards

data communications and networks pdf lecture notes - May 25 2022

web mar 16 2017 reu bca here on this thread i am uploading high quality pdf lecture notes on data communications and networks hope these lecture notes and handouts on data communications and networks will help you prepare for your semester exams the notes can be downloaded by clicking on the pdf icon below

bca books notes 2023 pdf 1st 2nd 3rd year exam updates - Sep 28 2022

web oct 13 2022 computer networks cisco track computer organization and architecture database management system data modeling oracle track business communication operating systems practicals computer networks lab cisco track database management system data modeling lab oracle track operating systems

bca dcn 5th sem apps on google play - May 05 2023

web mar 13 2023 data communication and networks is a critical subject for bca students to master by understanding the various topics taught in dcn and following the bca notes provided you can excel

data communication and networking notes pdf 2023 b tech - Oct 10 2023

web mar 21 2020 data communication and networking subject are included in b tech cse bca mca m tech so students can able to download data communication and networking notes pdf table of content 1 data communication and networking syllabus 2 data communication and networking pdf 3 data communication and

data communication and networking notes 2 studocu - Aug 28 2022

web this chapter provides an introduction to computer networks and covers fundamental topics like data information to the definition of communication and computer networks the main objective of data communication and networking is to enable seamless exchange of data between any two points in the world

data communication bca notes - Apr 04 2023

web jul 18 2011 second that a channel a link or even a network can transmit example one can say the bandwidth of a fast ethernet network is a maximum of 100mbps this means that this network can send 100mbps the bit length is the distance one bit occupies on the transmission medium bit length propagation speed bit duration 7 18 2011

lab report copper iron stoichiometry 1522 words cram - Jul 02 2022

web the purpose of the copper iron stoichiometry lab was to determine which of the two possible iron sulfate compounds formed when reacting aqueous copper ii sulfate with solid iron metal the techniques used in this lab were weighing by difference quantitative transfer and vacuum filtration

chem 1131 lab report 4 docx stoichiometry of iron copper ii - Apr 30 2022

web objective to apply stoichiometric principles to calculate the appropriate chemical equation for the reaction between iron metal and a solution of copper i sulfate introduction in the form of finely split powder copper metal is produced as a byproduct of the process as iron ions the ion meta dissolves

stoichiometry the reaction of iron with copper ii sulfate - Mar 10 2023

web purpose to enhance the understanding of stoichiometry a reaction between iron and copper ii sulfate solution will be conducted this will help you to differentiate limiting and excess reactant in a chemical reaction finally the theoretical and percent yield of this reaction will be calculated

single replacement stoichiometry lab central bucks school district - Sep 04 2022

web purpose in this experiment you will observe a single replacement reaction you will also use stoichiometry to predict what the theoretical yield of product is and calculate a percent yield reaction iron copper ii sulfate copper iron ii sulfate pre lab

questions write the balanced equation

lab report stoichiometry copper sulfate and iron 2023 - Dec 27 2021

web lab report stoichiometry copper sulfate and iron the oxidation of trimethylamine by copper ii chloride nov 10 2022 this research was on the irreversible oxidation of trimethylamine by copper ii chloride which takes place at temperatures of about 75 and higher the coordination of trimethylamine by copper ii

lab report on iron stoichiometry 1098 words bartleby - Jan 28 2022

web october 3 2017 abstract the techniques used in this lab are quantitative transfer and vacuum filtration with the reaction of 8 001 grams of copper ii sulfate CuSO_4 and 2 0153 grams of iron powder Fe the goal of this experiment was to determine the product of copper ii sulfate with iron

stoichiometry lab copper sulfate iron pdf stoichiometry - Jun 01 2022

web procedure 1 find the mass of a clean dry 100 ml beaker and record 2 measure out 8 00 grams of copper ii sulfate onto a piece of filter paper taking the filter paper s mass into account add these to the beaker 3 measure 50 0 ml of water in the cylinder and add it to the beaker 4

stoichiometry lab the reaction of iron with copper ii sulfate - Oct 05 2022

web stoichiometry lab the reaction of iron with copper ii sulfate the study of stoichiometry deals with the calculation of quantities in a chemical reaction how much product will be produced how much reactant do you need to make that much product

stoichiometry lab iron and copper ii sulfate ppt - Feb 26 2022

web description great lab for use during stoichiometry unit in chemistry reinforces ideas of mole ratios and stoichiometry calculations by measuring the mass of iron that reacts and the mass of copper metal produced students can calculate the ratio of moles of reactant to moles of product this experimental mole ratio from lab can be compared

stoichiometry the reaction of iron with copper ii sulfate - Jun 13 2023

web in this experiment we will use stoichiometric principles to deduce the appropriate equation for the reaction between metallic iron and a solution of copper ii sulfate this reaction produces metallic copper which is seen precipitating as a finely divided red powder

lab stoichiometry iron with copper ii sulfate pdf scribd - Nov 06 2022

web in this lab we will use experimental evidence and the principles of stoichiometry to determine which ion is formed in a single replacement reaction between iron and copper ii sulfate pre lab assignment in preparation for the lab activity we will investigate another single replacement reaction between copper and silver nitrate

lab report 4 iron copper ii sulfate studocu - Aug 15 2023

web through this experiment we sought to use stoichiometric principles which derive from stoichiometry the study of substance quantities in ratio or proportion in a chemical reaction in this lab experiment the principles help distinguish the equation between iron powder and aqueous copper ii sulfate in the iron copper ii sulfate redox reaction

lab 4 lab 4 stoichiometry of iron copper ii sulfate redox - Jan 08 2023

web this experiment is focused on a reaction between iron metal and a solution of copper ii sulfate we are able to figure out the chemical equation between the two by using stoichiometric principles the iron displaces the copper ii sulfate ions the copper ii is then reduced and gains electrons

lab report 4 stoichiometry of iron copper ii sulfate - Dec 07 2022

web stoichiometry can be defined as the relationship between the relative quantities of substances taking part in a reaction or forming a compound stoichiometric principles can be used to deduce the appropriate chemical equation for a reaction in our experiment we used solid iron in the form of powder was added to a solution of copper ii sulfate

lab report 4 stoichiometry of iron copper ii sulfate - Feb 09 2023

web stoichiometric principles can be used to determine the chemical equation between iron powder and aqueous copper ii sulfate in the iron copper ii sulfate redox reaction the iron ions dissolve in the copper ii sulfate solution to produce copper ii ions

stoichiometry reaction of iron with copper ii sulfate - Apr 11 2023

web lab 4 stoichiometry the reaction of iron with copper ii sulfate revised 8 19 2009 1 introduction in this experiment we will use stoichiometric principles to deduce the appropriate equation for the reaction between metallic iron and a solution of copper ii sulfate this reaction produces

lab report copper iron stoichiometry 1522 words cram lab report - Mar 30 2022

web under the finalize of the experiment it was found that iron was the limiting reactant and iron ii sulfate was a product of the reaction between 7 0002g away cooper ii sulfate and 2 0101g iron metal which produced 2 3037g of copper product with a percent yield of 100 72 introduction

lab report stoichiometry the reaction of iron with copper ii sulfate - Aug 03 2022

web stoichiometry lab report the reaction of iron with copper ii sulfate period 5 in this experiment i observed the reaction of iron with copper ii sulfate i obtained the results to this experiment through adding heated CuSO_4 solution to the iron powder stirring the solution adding water then removing water adding acetone heating the acetone on low

stoichiometry the reaction of iron with copper ii sulfate - Jul 14 2023

web stoichiometry the reaction of iron with copper ii sulfate purpose to enhance the understanding of stoichiometry a reaction between iron and copper ii sulfate solution will be conducted this will help you to differentiate limiting and excess

reactant in a chemical reaction

stoichiometry lab iron and copper sulfate studylib net - May 12 2023

web stoichiometry lab iron and copper sulfate sample data data and observations mass of copper ii sulfate pentahydrate 3 27
g of g mass of filter paper mass of filter paper and dry copper mass of dry copper 1 28 g