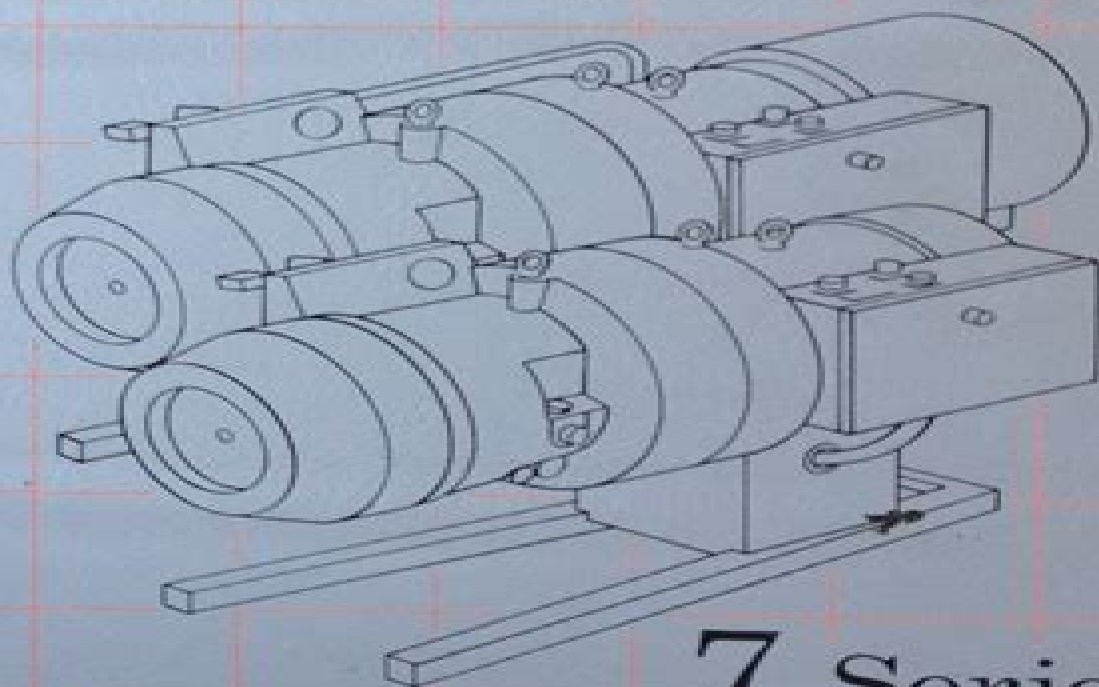


Hydrovane



7 Series

Service and Parts Manual

Manuel d'entretien et de pièce détachées
Wartungsanleitung und Bauteilverzeichnis
Manuale manutenzione e pezzi di ricambio
Manual de Servicio y Repuestos
Servicehandbok och delista

37/47

Hydrovane 37 Manual

RM Cervero



Hydrovane 37 Manual:

Boatowner's Mechanical and Electrical Manual Nigel Calder, 2005-06-21 The boatowner's foremost troubleshooting guide now better than ever. If it's on a boat and it has screws, wires, or moving parts, it's covered in Boatowner's Mechanical and Electrical Manual. When you leave the dock with this book aboard, you have at your fingertips the best and most comprehensive advice on Battery technologies 12 and 24 volt DC systems, Corrosion bonding and lightning protection, Generators, inverters, and battery chargers, Electric motors and electric lights, Marine electronics, antennas, and RFI, Diesel engines, Transmissions, shaft brakes, and propellers, Refrigeration and air conditioning, Tanks, plumbing, and through hulls, Pumps and watermakers, Steering, autopilots, and wind vanes, Stoves and heaters, Winches, windlasses, and bow thrusters, Spars, rigging, and roller reefing. If you had to choose a single book to help you assess and maintain your boat gear, this would be it. Practical Sailor: A truly remarkable bible. This book is the best of its kind. WoodenBoat: A major achievement. It would be hard to imagine anything going wrong on a boat that couldn't be figured out with this book. Sailing World: The world's best technical reference and troubleshooting book. Sailing Inland and Offshore: This manual will be of lasting interest to anyone who wants to know how their boat works, what has gone wrong when it doesn't, and how it could be fixed. Classic Boat: Without becoming too complex, the book covers almost every imaginable mechanical or electrical matter in the marine environment. Work Boat World: Calder lives what he writes, and what he offers is practical solutions to problems associated with increasingly complex marine systems. A bargain for anyone in the construction and repair side of the boat business. Professional Boatbuilder: *Marine Diesel Oil Engines; a Manual of Marine Oil Engine Practice; Specially Compiled to Satisfy the Standard of the Board of Trade Examinations* John William Major Sothorn, 1966 *Construction Methods*, 1957 **Cruising World**, 1992-01 *Cruising World*, 1984-01 *Cruising World*, 1984-01 *Cruising World*, 1979-01 **The Railway Gazette**, 1962 **The Engineer**, 1978 *Colliery Engineering*, 1953 *The Australian Grapegrower & Winemaker*, 1999 The Well-managed Sailboat George Day, 1992 Filled with hundreds of ideas for buying, equipping, and maintaining a cruising boat, here is the one-stop guide for the serious sailor. Whether your dreams are for an ocean voyage off exotic shores or for a weekend jaunt down the coast, this book is filled with hundreds of ideas on tailoring a sailboat to your specific needs and cruising aspirations. In addition, The Well Managed Sailboat will help sailors preserve a boat as investment by pointing out what features enhance value and what features will potentially detract from the asking price when the time comes to sell. *Light Metals*, 1957 **Engineering**, 1989 **Cruising World**, 2000-01 *Fluid Power Incorporating Compressed Air & Hydraulics*, 1962 **Roads and Road Construction**, 1962 British Power Engineering, 1962 **Process and Chemical Engineering**, 1997 *Fluid Handling*, 1959

This book delves into Hydrovane 37 Manual. Hydrovane 37 Manual is an essential topic that needs to be grasped by everyone, from students and scholars to the general public. This book will furnish comprehensive and in-depth insights into Hydrovane 37 Manual, encompassing both the fundamentals and more intricate discussions.

1. This book is structured into several chapters, namely:
 - Chapter 1: Introduction to Hydrovane 37 Manual
 - Chapter 2: Essential Elements of Hydrovane 37 Manual
 - Chapter 3: Hydrovane 37 Manual in Everyday Life
 - Chapter 4: Hydrovane 37 Manual in Specific Contexts
 - Chapter 5: Conclusion
2. In chapter 1, this book will provide an overview of Hydrovane 37 Manual. This chapter will explore what Hydrovane 37 Manual is, why Hydrovane 37 Manual is vital, and how to effectively learn about Hydrovane 37 Manual.
3. In chapter 2, the author will delve into the foundational concepts of Hydrovane 37 Manual. This chapter will elucidate the essential principles that must be understood to grasp Hydrovane 37 Manual in its entirety.
4. In chapter 3, this book will examine the practical applications of Hydrovane 37 Manual in daily life. This chapter will showcase real-world examples of how Hydrovane 37 Manual can be effectively utilized in everyday scenarios.
5. In chapter 4, the author will scrutinize the relevance of Hydrovane 37 Manual in specific contexts. This chapter will explore how Hydrovane 37 Manual is applied in specialized fields, such as education, business, and technology.
6. In chapter 5, the author will draw a conclusion about Hydrovane 37 Manual. The final chapter will summarize the key points that have been discussed throughout the book.

This book is crafted in an easy-to-understand language and is complemented by engaging illustrations. This book is highly recommended for anyone seeking to gain a comprehensive understanding of Hydrovane 37 Manual.

<https://staging.conocer.cide.edu/book/detail/HomePages/grant%20writing%20strategies%20for%20developing%20winning%20proposals%202nd%20edition%20paperback.pdf>

Table of Contents Hydrovane 37 Manual

1. Understanding the eBook Hydrovane 37 Manual
 - The Rise of Digital Reading Hydrovane 37 Manual
 - Advantages of eBooks Over Traditional Books
2. Identifying Hydrovane 37 Manual
 - Exploring Different Genres
 - Considering Fiction vs. Non-Fiction
 - Determining Your Reading Goals
3. Choosing the Right eBook Platform
 - Popular eBook Platforms
 - Features to Look for in an Hydrovane 37 Manual
 - User-Friendly Interface
4. Exploring eBook Recommendations from Hydrovane 37 Manual
 - Personalized Recommendations
 - Hydrovane 37 Manual User Reviews and Ratings
 - Hydrovane 37 Manual and Bestseller Lists
5. Accessing Hydrovane 37 Manual Free and Paid eBooks
 - Hydrovane 37 Manual Public Domain eBooks
 - Hydrovane 37 Manual eBook Subscription Services
 - Hydrovane 37 Manual Budget-Friendly Options
6. Navigating Hydrovane 37 Manual eBook Formats
 - ePub, PDF, MOBI, and More
 - Hydrovane 37 Manual Compatibility with Devices
 - Hydrovane 37 Manual Enhanced eBook Features
7. Enhancing Your Reading Experience
 - Adjustable Fonts and Text Sizes of Hydrovane 37 Manual
 - Highlighting and Note-Taking Hydrovane 37 Manual
 - Interactive Elements Hydrovane 37 Manual
8. Staying Engaged with Hydrovane 37 Manual

- Joining Online Reading Communities
 - Participating in Virtual Book Clubs
 - Following Authors and Publishers Hydrovane 37 Manual
9. Balancing eBooks and Physical Books Hydrovane 37 Manual
- Benefits of a Digital Library
 - Creating a Diverse Reading Collection Hydrovane 37 Manual
10. Overcoming Reading Challenges
- Dealing with Digital Eye Strain
 - Minimizing Distractions
 - Managing Screen Time
11. Cultivating a Reading Routine Hydrovane 37 Manual
- Setting Reading Goals Hydrovane 37 Manual
 - Carving Out Dedicated Reading Time
12. Sourcing Reliable Information of Hydrovane 37 Manual
- Fact-Checking eBook Content of Hydrovane 37 Manual
 - Distinguishing Credible Sources
13. Promoting Lifelong Learning
- Utilizing eBooks for Skill Development
 - Exploring Educational eBooks
14. Embracing eBook Trends
- Integration of Multimedia Elements
 - Interactive and Gamified eBooks

Hydrovane 37 Manual Introduction

In this digital age, the convenience of accessing information at our fingertips has become a necessity. Whether its research papers, eBooks, or user manuals, PDF files have become the preferred format for sharing and reading documents. However, the cost associated with purchasing PDF files can sometimes be a barrier for many individuals and organizations. Thankfully, there are numerous websites and platforms that allow users to download free PDF files legally. In this article, we will explore some of the best platforms to download free PDFs. One of the most popular platforms to download free PDF files is Project Gutenberg. This online library offers over 60,000 free eBooks that are in the public domain. From classic literature to

historical documents, Project Gutenberg provides a wide range of PDF files that can be downloaded and enjoyed on various devices. The website is user-friendly and allows users to search for specific titles or browse through different categories. Another reliable platform for downloading Hydrovane 37 Manual free PDF files is Open Library. With its vast collection of over 1 million eBooks, Open Library has something for every reader. The website offers a seamless experience by providing options to borrow or download PDF files. Users simply need to create a free account to access this treasure trove of knowledge. Open Library also allows users to contribute by uploading and sharing their own PDF files, making it a collaborative platform for book enthusiasts. For those interested in academic resources, there are websites dedicated to providing free PDFs of research papers and scientific articles. One such website is Academia.edu, which allows researchers and scholars to share their work with a global audience. Users can download PDF files of research papers, theses, and dissertations covering a wide range of subjects. Academia.edu also provides a platform for discussions and networking within the academic community. When it comes to downloading Hydrovane 37 Manual free PDF files of magazines, brochures, and catalogs, Issuu is a popular choice. This digital publishing platform hosts a vast collection of publications from around the world. Users can search for specific titles or explore various categories and genres. Issuu offers a seamless reading experience with its user-friendly interface and allows users to download PDF files for offline reading. Apart from dedicated platforms, search engines also play a crucial role in finding free PDF files. Google, for instance, has an advanced search feature that allows users to filter results by file type. By specifying the file type as "PDF," users can find websites that offer free PDF downloads on a specific topic. While downloading Hydrovane 37 Manual free PDF files is convenient, it's important to note that copyright laws must be respected. Always ensure that the PDF files you download are legally available for free. Many authors and publishers voluntarily provide free PDF versions of their work, but it's essential to be cautious and verify the authenticity of the source before downloading Hydrovane 37 Manual. In conclusion, the internet offers numerous platforms and websites that allow users to download free PDF files legally. Whether it's classic literature, research papers, or magazines, there is something for everyone. The platforms mentioned in this article, such as Project Gutenberg, Open Library, Academia.edu, and Issuu, provide access to a vast collection of PDF files. However, users should always be cautious and verify the legality of the source before downloading Hydrovane 37 Manual any PDF files. With these platforms, the world of PDF downloads is just a click away.

FAQs About Hydrovane 37 Manual Books

How do I know which eBook platform is the best for me? Finding the best eBook platform depends on your reading preferences and device compatibility. Research different platforms, read user reviews, and explore their features before

making a choice. Are free eBooks of good quality? Yes, many reputable platforms offer high-quality free eBooks, including classics and public domain works. However, make sure to verify the source to ensure the eBook credibility. Can I read eBooks without an eReader? Absolutely! Most eBook platforms offer web-based readers or mobile apps that allow you to read eBooks on your computer, tablet, or smartphone. How do I avoid digital eye strain while reading eBooks? To prevent digital eye strain, take regular breaks, adjust the font size and background color, and ensure proper lighting while reading eBooks. What the advantage of interactive eBooks? Interactive eBooks incorporate multimedia elements, quizzes, and activities, enhancing the reader engagement and providing a more immersive learning experience. Hydrovane 37 Manual is one of the best book in our library for free trial. We provide copy of Hydrovane 37 Manual in digital format, so the resources that you find are reliable. There are also many Ebooks of related with Hydrovane 37 Manual. Where to download Hydrovane 37 Manual online for free? Are you looking for Hydrovane 37 Manual PDF? This is definitely going to save you time and cash in something you should think about.

Find Hydrovane 37 Manual :

~~grant writing strategies for developing winning proposals 2nd edition paperback~~

grandfathers christmas tree

grappling master combat for street defense and competition

graves complete short stories

great american smoothies

great big walt disney word

great buildings of san francisco a photo

grandmas guide to the internet

great airships

~~grasmere and the wordsworths~~

great captains

great african americans in the olympics outstandi

grays thurrock revisited

grandpa rigby literacy

grass on the downs and other poems

Hydrovane 37 Manual :

study guide for fundamental concepts and skills 9780323683869 - Apr 11 2023

web description reinforce your understanding of basic nursing concepts and skills corresponding to the chapters in fundamental concepts and skills for nursing 6th edition this study guide provides the review and practice you need to master essential lpn lvn knowledge

fundamentals of nursing study guides for nurses nurseslabs - Aug 15 2023

web fundamentals of nursing a collection of all our articles and study guides for the fundamentals of nursing included in this category are basic concepts of nursing procedures and skills nursing history and more

fundamentals and concepts study guide answers copy - Feb 26 2022

web a study guide for tomas transtromer s answers to letters excerpted from gale s acclaimed poetry for students this concise study guide includes plot summary character analysis author biography study questions historical context suggestions for further reading and much more for any literature project trust poetry for students for all

study guide for fundamental concepts and skills for nursing - Nov 06 2022

web mar 26 2021 short answer identification multiple choice and matching questions test and reinforce your knowledge of concepts conveyed in the text application of the nursing process questions ask you to use critical thinking skills and apply the steps of the nursing process to real life patient care

fundamental concepts and skills for nursing chapter 22 - Sep 16 2023

web fundamental concepts and skills for nursing chapter 22 5 0 4 reviews a holistic nursing assessment of a patient is necessary to 1 formulate an effective nursing care plan 2 establish patient trust in the nurse 3 determine the patient s physical problems 4 detect adverse effects of treatment

fundamentals of nursing study guide flashcards quizlet - Apr 30 2022

web assessment collecting vital signs pain levels other signs symptoms diagnosis nurse makes a nursing diagnosis based on assessment of patient not a medical diagnosis planning nurse comes up with client centered goals need to be measurable client will ambulate 10 meters 3x daily for 2 wks implementing

study guide for fundamental concepts and skills for nursing - Feb 09 2023

web mar 2 2022 reinforce your understanding of basic nursing concepts and skills corresponding to the chapters in fundamental concepts and skills for nursing 6th edition this study guide provides the review and practice you need to

fundamental concepts and skills for nursing ch 22 assessing quizlet - Jun 01 2022

web topics for patient education regarding preventive health care are a need for timing of regular physical examinations b recommended periodic diagnostic tests c need schedule for immunizations d warning signs of cancer e the necessity of

test bank for fundamental concepts skills for nursing 4th - Oct 05 2022

web test bank for fundamental concepts skills for nursing 4th edition by de wit test bank for studocu fundamentals skills nr 224 this document has been uploaded by a student just like you who decided to remain anonymous recommended for you final 2020 questions and answers

chapter 1 fundamental concepts and skills for nursing - Jul 14 2023

web improved ventilation sanitation and nutrition reduced death rate from 60 to 1 due to her findings opened first nursing school outside a hospital in 1860 made rounds at night to the soldier carrying her oil lamp which then became symbol for nursing

dewit studyguide answers fundamental concepts 4th ed - Oct 17 2023

web dewit studyguide answers fundamental concepts 4th ed read online for free

fundamental concepts and skills for nursing elsevier - Aug 03 2022

web apr 26 2022 learn all the basic concepts and fundamental skills that an lpn lvn needs fundamental concepts and skills for nursing 6th edition prepares you for nursing practice in a number of care settings including hospitals long term care facilities medical offices clinics surgery centers and home care agencies

fundamental nursing skills and concepts chapter 4 flashcards - Jun 13 2023

web q chat created by kyndall christine terms in this set 74 nursing process a way of thinking and acting based on the scientific method scientific method a step by step process used by scientists to solve problems assessment nursing diagnosis planning implement evaluation what are the five components of the nursing process outcomes

teas practice tests exam information study com - Mar 30 2022

web the 63 minute science portion of the teas test consists of 53 questions about life sciences physical sciences human anatomy and physiology and scientific reasoning there is a strong emphasis on human anatomy and physiology consider these tips allow extra study time for science

test bank for fundamental concepts and skills for nursing 6th - Dec 07 2022

web test bank for fundamental concepts and skills for nursing 6th edition test bank complete studocu c were an educational model based in institutions of higher learning d have continued to be entirely focused on hospital nursing because of the influence of early nnuurrsisnignletabd mnursing education became

study guide for fundamental concepts and skills for nursing - Jan 08 2023

web jan 23 2013 study guide for fundamental concepts and skills for nursing susan c dewit patricia a o neill elsevier health sciences jan 23 2013 medical 533 pages reinforce your understanding of nursing concepts and skills and apply that knowledge to nursing practice

study guide for fundamental concepts and skills for nursing e - Sep 04 2022

web jul 12 2021 study guide for fundamental concepts and skills for nursing e book patricia a williams elsevier health sciences jul 12 2021 medical 432 pages new updated exercises reflect content in

study guide for fundamental concepts and skills for nursing - Mar 10 2023

web mar 12 2021 corresponding to the chapters in fundamental concepts and skills for nursing 6th edition this study guide provides the review and practice you need to master essential lpn lvn knowledge

evolve resources for fundamental concepts and skills for nursing - May 12 2023

web feb 26 2021 410 nclex pn review questions answer keys for in text questions including critical thinking questions nursing care plan critical thinking questions skills questions think critically questions and end of chapter nclex

study guide for fundamental concepts and skills for nursing - Jul 02 2022

web feb 6 2013 corresponding to the chapters in dewit s fundamental concepts and skills for nursing 4th edition this study guide provides practice exercises review questions and application activities to help you gain a solid understanding of the principles and skills you ll need to succeed in your nursing classes and in your career

[redirection to equivalent cengage](#) - Jun 02 2022

web we would like to show you a description here but the site won t allow us

[american government institutions and policies brief version 13th](#) - Oct 06 2022

web american government institutions and policies brief version 13th edition james q wilson pdf free ebook download as pdf file pdf text file txt or read book online for free

amazon com american government wilson 13th edition - Sep 17 2023

web results american government institutions and policies the essentials 13th edition by james q wilson john j dilulio jr et al jan 1 2012 67 paperback 2246 list 213 95 free delivery wed nov 22 only 4 left in stock order soon more buying choices 4 95 43 used new offers hardcover 4500 3 99 delivery wed nov 22

american government institutions and policies brief version edition 13 - Jan 09 2023

web jan 1 2017 thorough yet concise the thirteenth edition of american government institutions and policies brief version offers insightful coverage of all aspects of u s politics including the constitution civil liberties and rights federalism public opinion the media political parties elections the three branches of federal government

american government wilson study guide 13th edition - Feb 27 2022

web amazon com american government wilson 13th edition testbankteam com test bank amp solution manual american government institutions and policies advanced chapter 13 congress coursenotes woodrow wilson wikipedia writing with style apa style made easy 6th edition by american government james q wilson flashcards and study

american government institutions and policies brief version - May 13 2023

web dec 19 2016 the 13th edition of american government institutions and policies brief version offers coverage of the 2014 and 2016 campaigns and elections budget battles and the sequestration of funds

[american government institutions and policies brief version 13th edition](#) - Apr 12 2023

web american government institutions and policies brief version 13th edition author s james wilson publisher cengage learning format fixed what s this print isbn 9781305956346 1305956346 etext isbn 9781337514293 1337514292 edition 13th copyright 2018 45 99 usd 9781337514293r180

american government institutions and policies brief version 13th - Jun 14 2023

web nov 26 2017 about this product this popular brief text for the one semester or one quarter american government course maintains the framework of the wilson diiulio bose and lewendusky com

american government brief edition james wilson google books - Sep 05 2022

web this popular brief edition text for the one semester or one quarter american government course maintains the framework of wilson s complete text emphasizing the historical development of the american political system who governs and to what end completely up to date american government brief 9e offers new coverage of such key

[american government brief 13th edition textbooks com](#) - Dec 08 2022

web american government brief 13th edition isbn13 9781305956346 isbn10 1305956346 by james q wilson and john j diiulio cover type paperback edition

american government 13th edition 9781305956346 cengage - Aug 16 2023

web the 13th edition of american government institutions and policies brief version offers coverage of the 2014 and 2016 campaigns and elections budget battles and the sequestration of funds ongoing debates about immigration gay marriage and other key issues in american politics and foreign policy decisions on afghanistan the middle

american government institutions and policies the essentials 13th - Feb 10 2023

web american government institutions and policies the essentials 13th edition by james q wilson john j dilulio jr meena bose isbn 10 1111830053 isbn 13 9781111830052 wadsworth publishing 2012 softcover

[american government institutions and policies google books](#) - Aug 04 2022

web cengage learning jan 1 2021 education 624 pages packed with current examples and practical insight wilson dilulio bose lewendusky s american government institutions and policies

american government institutions and policies 13th edition wilson - Mar 31 2022

web mar 15 2023 1 explain the notion of higher law by which the colonists felt they were entitled to certain natural rights list these rights 2 compare the basis on which the colonists felt a government

american government institutions and policies brief version 13th - Mar 11 2023

web american government institutions and policies brief version 13th edition 9781305956346 cengage this popular brief text for the american government course emphasizes the historical development of the american political system who governs and to

american government institutions and policies brief version 13th - Nov 07 2022

web american government institutions and policies brief version 13th author s james wilsonjohn dilulio meena bose matthew lewendusky published 2017 publisher wadsworth publishing format paperback 400 pages more formats hardcover ebook book subjects american government political science government isbn 978 1 305 95634 6

american government institutions and policies brief version 13th - Jul 03 2022

web jan 1 2017 american government institutions and policies brief version 13th edition ebook details authors james q wilson john j dilulio meena bose matthew s lewendusky file size 20 mb format pdf length 315 pages publisher cengage learning 13th edition brief version publication date january 1 2017 language

american government wikibooks open books for an open world - May 01 2022

web american government a wikibookian suggests that this book or chapter be merged into united states government please discuss whether or not this merge should happen on the discussion page this wikibook follows the coursework of american government institutions and policies ninth edition by james q wilson if you use the book the

13th edition amazon com spend less smile more - Jul 15 2023

web jan 1 2017 thorough yet concise the thirteenth edition of american government institutions and policies brief version offers insightful coverage of all aspects of u s politics including the constitution civil liberties and rights federalism public opinion the media political parties elections the three branches of federal

american government institutions and policies 13th edition - Oct 18 2023

web jan 1 2012 american government institutions and policies 13th edition by james q wilson author jr john j diulio author meena bose author 4 4 67 ratings see all formats and editions there is a newer edition of this item american government institutions policies mindtap course list 158 00 29 usually ships within 5 to 6 days

allahs lieblich ursprung und erscheinungsformen des - Jun 12 2023

web vor aller zeit geschaffen ist mohammed allahs lieblich denn indem er ihn schuf bewies er sich als der schöpfer als mohammed im ausgehenden 6 jahrhundert in die irdische

allahs lieblich de gruyter - Aug 14 2023

web leben und legende und allahs lieblich ursprung und erscheinungsformen des mohammedglaubens nicht auf eine abbildung der muslimischen biographie

allahs liebling ursprung und erscheinungsformen des - Dec 06 2022

web aug 19 2014 leben und legende und allahs liebling ursprung und erscheinungsformen des mohammedglaubens nicht auf eine abbildung der

allahs liebling ursprung und erscheinungsformen des - Feb 08 2023

web ursprung und erscheinungsformen des mohammedglaubens nicht auf eine abbildung der muslimischen biographie mohammeds an sondern auf die

allahs liebling ursprung und erscheinungsformen d uniport edu - Aug 02 2022

web jul 7 2023 allahs liebling ursprung und erscheinungsformen d pdf yeah reviewing a book allahs liebling ursprung und erscheinungsformen d pdf could increase your

allahs liebling ursprung und erscheinungsformen des - Oct 04 2022

web web4 allahs liebling ursprung und erscheinungsformen d 2022 12 29 verhältnisses von demokratie und islam taxierte chancen und risiken und gleicht vorhandene

pdf allahs liebling by tilman nagel ebook perlego - Jan 07 2023

web allahs liebling ursprung und erscheinungsformen des mohammedglaubens by tilman nagel 2008 03 11 finden sie alle bücher von tilman nagel bei der

allahs liebling ursprung und erscheinungsformen des - Jul 13 2023

web vor aller zeit geschaffen ist mohammed allahs liebling denn indem er ihn schuf bewies er sich als der schöpfer als mohammed im ausgehenden 6 jahrhundert in die irdische

pdf allahs liebling ursprung und erscheinungsformen d - Mar 09 2023

web jun 3 2023 allahs liebling ursprung und erscheinungsformen des mohammedglaubens by tilman nagel werner trutwin christ in der gegenwart um

allahs liebling by tilman nagel overdrive - Nov 05 2022

web allahs liebling ursprung und erscheinungsformen des mohammedglaubens by tilman nagel allahs liebling ursprung und erscheinungsformen des mohammedglaubens

allahs liebling ursprung und erscheinungsformen d copy - Mar 29 2022

web allahs liebling ursprung und erscheinungsformen d pdf adopting the melody of phrase an emotional symphony within allahs liebling ursprung und

allahs liebling ursprung und erscheinungsformen d pdf - May 31 2022

web 2 allahs liebling ursprung und erscheinungsformen d 2022 10 09 demokratie sowie die oft schwer zu ziehende grenze zwischen islam und islamismus sorgen in der

allahs liebling ursprung und erscheinungsformen d pdf pdf - Jul 01 2022

web it is your definitely own grow old to put it on reviewing habit among guides you could enjoy now is allahs liebling ursprung und erscheinungsformen d below allahs liebling

allahs liebling ursprung und erscheinungsformen d pdf bvpn - Dec 26 2021

web favorite books like this allahs liebling ursprung und erscheinungsformen d but end up in harmful downloads rather than enjoying a good book with a cup of coffee in the

allahs liebling ursprung und erscheinungsformen d pdf 2023 - Sep 03 2022

web feb 23 2023 merely said the allahs liebling ursprung und erscheinungsformen d is universally compatible with any devices to read innovation in islam mehran kamrava

allahs liebling ursprung und erscheinungsformen d copy - Oct 24 2021

allahs liebling ursprung und erscheinungsformen d full pdf - Apr 29 2022

web apr 10 2023 this allahs liebling ursprung und erscheinungsformen d but end up in malicious downloads rather than enjoying a good book with a cup of tea in the

allahs liebling ursprung und erscheinungsformen des - May 11 2023

web allahs liebling ursprung und erscheinungsformen d allahs liebling ursprung und erscheinungsformen d 2 downloaded from old restorativejustice org on 2020 03 05 by

allahs liebling ursprung und erscheinungsformen d copy - Nov 24 2021

web jul 20 2023 allahs liebling ursprung und erscheinungsformen d 2 19 downloaded from uniport edu ng on july 20 2023 by guest religionsgruppen oder missachtung von

allahs liebling ursprung und erscheinungsformen d pdf pdf - Feb 25 2022

web apr 18 2017 wie genau dieses jenseits und die auferstehung aussehen darüber gibt es auch im islam unterschiedliche auffassungen der tod ist süß wie zucker sagt ein

tod und auferstehung im islam wie eine hochzeitsnacht - Jan 27 2022

web allahs liebling ursprung und erscheinungsformen d 1 allahs liebling ursprung und erscheinungsformen d

allahs liebling ursprung und erscheinungsformen d - Apr 10 2023

web potnia theron eine untersuchung über ursprung erscheinungsformen und wandlungen der gestalt einer gottheit dec 29 2022 herkunft und ursprung sep 01 2020