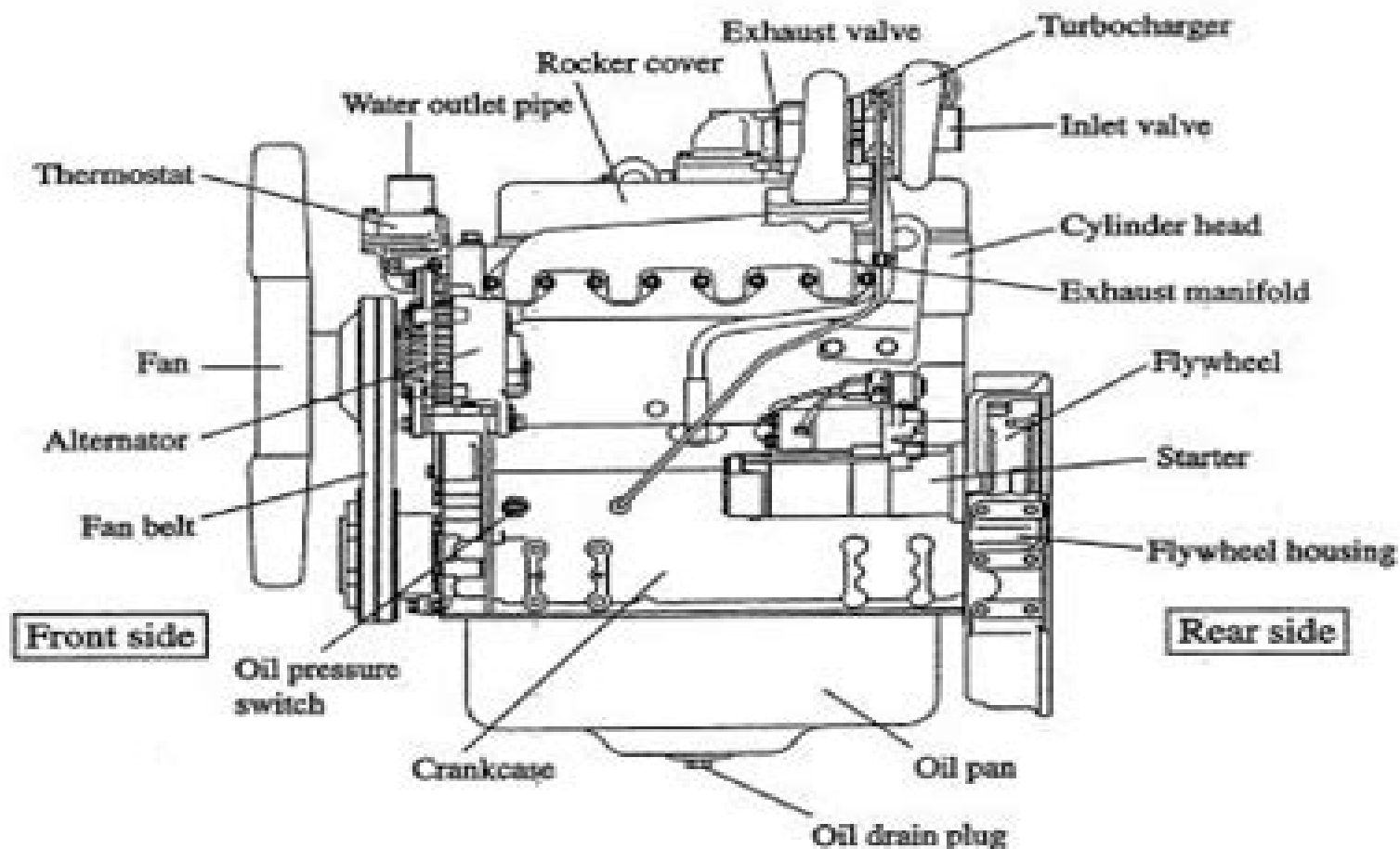


ENGINE BASE

SERVICE MANUAL

mitsubishi S4K,S6K



Mitsubishi S4k S6k Diesel Engine Service Repair Manual

PT Brinkman



Mitsubishi S4k S6k Diesel Engine Service Repair Manual:

Delve into the emotional tapestry woven by Crafted by in **Mitsubishi S4k S6k Diesel Engine Service Repair Manual** . This ebook, available for download in a PDF format (Download in PDF: *), is more than just words on a page; it's a journey of connection and profound emotion. Immerse yourself in narratives that tug at your heartstrings. Download now to experience the pulse of each page and let your emotions run wild.

https://staging.conocer.cide.edu/book/book-search/Documents/healing_times_a_personal_workbook.pdf

Table of Contents Mitsubishi S4k S6k Diesel Engine Service Repair Manual

1. Understanding the eBook Mitsubishi S4k S6k Diesel Engine Service Repair Manual
 - The Rise of Digital Reading Mitsubishi S4k S6k Diesel Engine Service Repair Manual
 - Advantages of eBooks Over Traditional Books
2. Identifying Mitsubishi S4k S6k Diesel Engine Service Repair Manual
 - Exploring Different Genres
 - Considering Fiction vs. Non-Fiction
 - Determining Your Reading Goals
3. Choosing the Right eBook Platform
 - Popular eBook Platforms
 - Features to Look for in an Mitsubishi S4k S6k Diesel Engine Service Repair Manual
 - User-Friendly Interface
4. Exploring eBook Recommendations from Mitsubishi S4k S6k Diesel Engine Service Repair Manual
 - Personalized Recommendations
 - Mitsubishi S4k S6k Diesel Engine Service Repair Manual User Reviews and Ratings
 - Mitsubishi S4k S6k Diesel Engine Service Repair Manual and Bestseller Lists
5. Accessing Mitsubishi S4k S6k Diesel Engine Service Repair Manual Free and Paid eBooks
 - Mitsubishi S4k S6k Diesel Engine Service Repair Manual Public Domain eBooks
 - Mitsubishi S4k S6k Diesel Engine Service Repair Manual eBook Subscription Services
 - Mitsubishi S4k S6k Diesel Engine Service Repair Manual Budget-Friendly Options

6. Navigating Mitsubishi S4k S6k Diesel Engine Service Repair Manual eBook Formats
 - ePub, PDF, MOBI, and More
 - Mitsubishi S4k S6k Diesel Engine Service Repair Manual Compatibility with Devices
 - Mitsubishi S4k S6k Diesel Engine Service Repair Manual Enhanced eBook Features
7. Enhancing Your Reading Experience
 - Adjustable Fonts and Text Sizes of Mitsubishi S4k S6k Diesel Engine Service Repair Manual
 - Highlighting and Note-Taking Mitsubishi S4k S6k Diesel Engine Service Repair Manual
 - Interactive Elements Mitsubishi S4k S6k Diesel Engine Service Repair Manual
8. Staying Engaged with Mitsubishi S4k S6k Diesel Engine Service Repair Manual
 - Joining Online Reading Communities
 - Participating in Virtual Book Clubs
 - Following Authors and Publishers Mitsubishi S4k S6k Diesel Engine Service Repair Manual
9. Balancing eBooks and Physical Books Mitsubishi S4k S6k Diesel Engine Service Repair Manual
 - Benefits of a Digital Library
 - Creating a Diverse Reading Collection Mitsubishi S4k S6k Diesel Engine Service Repair Manual
10. Overcoming Reading Challenges
 - Dealing with Digital Eye Strain
 - Minimizing Distractions
 - Managing Screen Time
11. Cultivating a Reading Routine Mitsubishi S4k S6k Diesel Engine Service Repair Manual
 - Setting Reading Goals Mitsubishi S4k S6k Diesel Engine Service Repair Manual
 - Carving Out Dedicated Reading Time
12. Sourcing Reliable Information of Mitsubishi S4k S6k Diesel Engine Service Repair Manual
 - Fact-Checking eBook Content of Mitsubishi S4k S6k Diesel Engine Service Repair Manual
 - Distinguishing Credible Sources
13. Promoting Lifelong Learning
 - Utilizing eBooks for Skill Development
 - Exploring Educational eBooks
14. Embracing eBook Trends
 - Integration of Multimedia Elements

- Interactive and Gamified eBooks

Mitsubishi S4k S6k Diesel Engine Service Repair Manual Introduction

In the digital age, access to information has become easier than ever before. The ability to download Mitsubishi S4k S6k Diesel Engine Service Repair Manual has revolutionized the way we consume written content. Whether you are a student looking for course material, an avid reader searching for your next favorite book, or a professional seeking research papers, the option to download Mitsubishi S4k S6k Diesel Engine Service Repair Manual has opened up a world of possibilities. Downloading Mitsubishi S4k S6k Diesel Engine Service Repair Manual provides numerous advantages over physical copies of books and documents. Firstly, it is incredibly convenient. Gone are the days of carrying around heavy textbooks or bulky folders filled with papers. With the click of a button, you can gain immediate access to valuable resources on any device. This convenience allows for efficient studying, researching, and reading on the go. Moreover, the cost-effective nature of downloading Mitsubishi S4k S6k Diesel Engine Service Repair Manual has democratized knowledge. Traditional books and academic journals can be expensive, making it difficult for individuals with limited financial resources to access information. By offering free PDF downloads, publishers and authors are enabling a wider audience to benefit from their work. This inclusivity promotes equal opportunities for learning and personal growth. There are numerous websites and platforms where individuals can download Mitsubishi S4k S6k Diesel Engine Service Repair Manual. These websites range from academic databases offering research papers and journals to online libraries with an expansive collection of books from various genres. Many authors and publishers also upload their work to specific websites, granting readers access to their content without any charge. These platforms not only provide access to existing literature but also serve as an excellent platform for undiscovered authors to share their work with the world. However, it is essential to be cautious while downloading Mitsubishi S4k S6k Diesel Engine Service Repair Manual. Some websites may offer pirated or illegally obtained copies of copyrighted material. Engaging in such activities not only violates copyright laws but also undermines the efforts of authors, publishers, and researchers. To ensure ethical downloading, it is advisable to utilize reputable websites that prioritize the legal distribution of content. When downloading Mitsubishi S4k S6k Diesel Engine Service Repair Manual, users should also consider the potential security risks associated with online platforms. Malicious actors may exploit vulnerabilities in unprotected websites to distribute malware or steal personal information. To protect themselves, individuals should ensure their devices have reliable antivirus software installed and validate the legitimacy of the websites they are downloading from. In conclusion, the ability to download Mitsubishi S4k S6k Diesel Engine Service Repair Manual has transformed the way we access information. With the convenience, cost-effectiveness, and accessibility it offers, free PDF downloads have become a popular choice for students, researchers, and book lovers worldwide. However, it is crucial to

engage in ethical downloading practices and prioritize personal security when utilizing online platforms. By doing so, individuals can make the most of the vast array of free PDF resources available and embark on a journey of continuous learning and intellectual growth.

FAQs About Mitsubishi S4k S6k Diesel Engine Service Repair Manual Books

How do I know which eBook platform is the best for me? Finding the best eBook platform depends on your reading preferences and device compatibility. Research different platforms, read user reviews, and explore their features before making a choice. Are free eBooks of good quality? Yes, many reputable platforms offer high-quality free eBooks, including classics and public domain works. However, make sure to verify the source to ensure the eBook credibility. Can I read eBooks without an eReader? Absolutely! Most eBook platforms offer webbased readers or mobile apps that allow you to read eBooks on your computer, tablet, or smartphone. How do I avoid digital eye strain while reading eBooks? To prevent digital eye strain, take regular breaks, adjust the font size and background color, and ensure proper lighting while reading eBooks. What the advantage of interactive eBooks? Interactive eBooks incorporate multimedia elements, quizzes, and activities, enhancing the reader engagement and providing a more immersive learning experience. Mitsubishi S4k S6k Diesel Engine Service Repair Manual is one of the best book in our library for free trial. We provide copy of Mitsubishi S4k S6k Diesel Engine Service Repair Manual in digital format, so the resources that you find are reliable. There are also many Ebooks of related with Mitsubishi S4k S6k Diesel Engine Service Repair Manual. Where to download Mitsubishi S4k S6k Diesel Engine Service Repair Manual online for free? Are you looking for Mitsubishi S4k S6k Diesel Engine Service Repair Manual PDF? This is definitely going to save you time and cash in something you should think about. If you trying to find then search around for online. Without a doubt there are numerous these available and many of them have the freedom. However without doubt you receive whatever you purchase. An alternate way to get ideas is always to check another Mitsubishi S4k S6k Diesel Engine Service Repair Manual. This method for see exactly what may be included and adopt these ideas to your book. This site will almost certainly help you save time and effort, money and stress. If you are looking for free books then you really should consider finding to assist you try this. Several of Mitsubishi S4k S6k Diesel Engine Service Repair Manual are for sale to free while some are payable. If you arent sure if the books you would like to download works with for usage along with your computer, it is possible to download free trials. The free guides make it easy for someone to free access online library for download books to your device. You can get free download on free trial for lots of books categories. Our library is the biggest of these that have literally hundreds of thousands of different products categories represented. You will also see that there are specific sites catered to different product types or categories, brands or niches related with Mitsubishi S4k S6k

Diesel Engine Service Repair Manual. So depending on what exactly you are searching, you will be able to choose e books to suit your own need. Need to access completely for Campbell Biology Seventh Edition book? Access Ebook without any digging. And by having access to our ebook online or by storing it on your computer, you have convenient answers with Mitsubishi S4k S6k Diesel Engine Service Repair Manual To get started finding Mitsubishi S4k S6k Diesel Engine Service Repair Manual, you are right to find our website which has a comprehensive collection of books online. Our library is the biggest of these that have literally hundreds of thousands of different products represented. You will also see that there are specific sites catered to different categories or niches related with Mitsubishi S4k S6k Diesel Engine Service Repair Manual So depending on what exactly you are searching, you will be able to choose ebook to suit your own need. Thank you for reading Mitsubishi S4k S6k Diesel Engine Service Repair Manual. Maybe you have knowledge that, people have search numerous times for their favorite readings like this Mitsubishi S4k S6k Diesel Engine Service Repair Manual, but end up in harmful downloads. Rather than reading a good book with a cup of coffee in the afternoon, instead they juggled with some harmful bugs inside their laptop. Mitsubishi S4k S6k Diesel Engine Service Repair Manual is available in our book collection an online access to it is set as public so you can download it instantly. Our digital library spans in multiple locations, allowing you to get the most less latency time to download any of our books like this one. Merely said, Mitsubishi S4k S6k Diesel Engine Service Repair Manual is universally compatible with any devices to read.

Find Mitsubishi S4k S6k Diesel Engine Service Repair Manual :

healing times a personal workbook

hbj spelling signature edition teachers edition

healing journey for adult children of alcoholics

healing your heart proven program reversing heart disease w/o drugs or surgery

headin for better times the arts of the great depression

he is born six christmas carols for organ

hbj treasury of literature grade 8 the farthest star vol. 1 annotated teachers ed.

healing power of illneb the meaning of symptoms and how to interpret them

healing with astrology

he did this just for you

healer the story of francis schlatter

~~hb 6 shore road mystery promo~~

he is risen the true meaning of easter with bible stories for kids audio

hazell and the three card trick

haynes buick regal and century 1974-1980 owners workshop manual

Mitsubishi S4k S6k Diesel Engine Service Repair Manual :

cemeteries of new orleans a journey through the cities - Dec 16 2022

web apr 30 2005 cemeteries of new orleans a journey through the cities of the dead is a photographic tour of the city s captivating graveyards glorious photographs accompanied by interesting captions showcase more than fifteen of new orleans s historic and fascinating cemeteries or cities of the dead such as st louis 1 greenwood st

cities of the dead experience new orleans - Apr 20 2023

web there are 42 cemeteries in the new orleans area all with fascinating tales to tell learn about 10 of the city s most famous cemeteries below again for your own safety go with a group or with a tour

historic cemeteries of new orleans wikipedia - Jul 23 2023

web plaque at st louis cemetery no 1 the oldest still existing extant cemetery in new orleans the historic cemeteries of new orleans new orleans united states are a group of forty two cemeteries that are historically and culturally significant

cemeteries city of new orleans - May 09 2022

web oct 19 2023 the city of new orleans owns and manages six municipal cemeteries lafayette cemetery no 1 lafayette cemetery no 2 carrollton cemetery no 1 also known as green street cemetery carrollton cemetery no 2 also known as st mary s cemetery valence cemetery and holt cemetery

new orleans cemeteries life in the cities of the dead - Sep 25 2023

web new orleans cemeteries life in the cities of the dead florence robert free download borrow and streaming internet archive by florence robert publication

books new orleans historic tours - Apr 08 2022

web new orleans cemeteries life in the cities of the dead by robert florence from the edge of the french quarter to the heart of the bayou new orleans cemeteries is a journey through the crescent city as seen through her phenomenal cemeteries 9 11 hardcover 211 pages 157 color photographs 33 black white 29 95 9 sales tax

cities of the dead the famous cemeteries of new orleans - Jun 22 2023

web oct 9 2019 cemetery tours in the city often include a visit to the tomb of marie laveau a well known practitioner of voodoo in the 1800s and the most famous resident of any new orleans cemetery no one is completely sure if laveau s remains really lie within her often visited tomb but her legend is just one of the many ghost stories that draw

5 cemeteries in new orleans you can visit without a guide - Jan 05 2022

web the cemeteries of new orleans are a window into the soul of the city a reflection of its triumphs tragedies and enduring spirit by visiting these unique sites you will not only learn about the rich tapestry of new orleans past but also gain a profound appreciation for the city s present and future

new orleans cemeteries life in the cities of the d 2022 - Nov 03 2021

web cemetery jamboree cemeteries of new orleans life amongst the cities of the dead ici repose a guide to st louis cemetery no 2 square 3 deluxe edition historical sketch book and guide to new orleans and environs frommer s new orleans 2001 cryptic new orleans voodoo queen louisiana s sacred places jazz religion the second line and

everything you need to know about new orleans cities of the - Feb 18 2023

web jun 29 2020 there are 42 cemeteries in the new orleans area all with fascinating tales to tell and of course they host their fair share of restless ghosts the oldest cemetery saint louis no 1 was founded in the late 1700s and it

the urban cemetery and the urban community the origin of the new - Feb 06 2022

web schuylkill in 1833 34 urban cemeteries shared in this pattern new orleans s first cemetery was located on the banks of the mississippi a second was constructed within the formal boundaries of the old city but beyond the built up area around 1725 and a third st louis no 1 just outside the ramparts in 1789 early nineteenth century

new orleans cemeteries life in the cities of the dead - Aug 24 2023

web jun 15 2005 new orleans cemeteries life in the cities of the dead hardcover june 15 2005 by robert florence author robert p florence author j mason florence author 4 3 32 ratings see all formats and editions

tour new orlean s oldest cemeteries the heart of louisiana - Mar 19 2023

web aug 24 2020 cities of the dead you find a lot of cemeteries in a city that is more than 300 years old and in new orleans its unique above the ground tombs have earned the cemeteries the nickname cities of the dead and have become one of

about the project the new orleans cemetery database - Jun 10 2022

web between 1981 and 1983 in collaboration with save our cemeteries and the university of new orleans the survey of historic new orleans cemeteries was created the nine cemeteries included were st louis no 1 and no 2 lafayette no 1 and no 2 st joseph no 1 and no 2 odd fellows greenwood its historic portion and cypress grove

things to do cemeteries in new orleans company - Mar 07 2022

web explore the captivating history and beauty of cemeteries in new orleans discover the unique allure of these sacred grounds with new orleans company

cemeteries in new orleans frommer s - Aug 12 2022

web there are 45 cemeteries in new orleans 31 are considered historic and 5 are officially listed in the national register of historic places iconic tourist attractions as much as jackson square or bourbon street the cemeteries have a fascinating

backstory one that has become twisted over time by mythology

new orleans cemeteries life in the cities of the d pdf - Dec 04 2021

web may 23 2023 new orleans cemeteries life in the cities of the d 3 11 downloaded from uniport edu ng on may 23 2023 by guest with children and more maps and tools like background information on the history and culture of new orleans easy to read maps full color photos and neighborhood guides go beyond the french quarter

cities of the dead lafayette cemetery new orleans louisiana - May 21 2023

web oct 19 2019 new orleans garden district is a historic neighborhood that dates back to 1832 in the midst of a district noted for its many historic old mansions is one of the small cities within new orleans those are the cities of the dead the historic cemeteries that dot the big easy

cities of the dead the top 5 new orleans cemeteries to visit - Nov 15 2022

web st louis cemetery no 1 425 basin st new orleans la 70112 usa st louis 1 is the oldest active cemetery in new orleans and is listed on the national register of historic places you must be part of an archdiocese approved tour group to enter most companies run tours twice a day at 10am or 11am and 1pm

new orleans cemeteries life in the cities of the dead - Oct 14 2022

web new orleans cemeteries life in the cities of the dead statement of responsibility text and photography by robert florence photographs by mason florence authors florence robert main author florence mason added author format books monographs language english publication new orleans louisiana batture press c1997 physical

cities of the dead new orleans nola tour guy - Sep 13 2022

web visiting the cities of the dead new orleans today since covid two of new orleans s most famous and oldest cemeteries have been closed st louis 1 has recently reopened for tours but only one company is offering tours and they charge a premium 35 per person last i checked for their tour so you might be wondering what cemeteries are

12 famous new orleans cemeteries to visit cake blog - Jan 17 2023

web sep 7 2022 here are 12 must see new orleans cemeteries to add to your itinerary now grab your beads and a black umbrella and jump into a new orleans jazz funeral we re heading to the cemetery 1 st louis cemetery no 1 this is nola s oldest 1789 and most famous cemetery it s listed on the national register of historic places

[new orleans cemeteries interesting thing of the day itotd](#) - Jul 11 2022

web jan 11 2019 the cemeteries of new orleans are often called cities of the dead not only do the tombs look like buildings but the cemeteries are organized with streets and street signs much like the cities of the living and it seems somehow appropriate that in new orleans the decay of death faintly mirrors the decadence of life

the inconvenient indian a curious account of native pe - Aug 29 2023

web nov 13 2012 the inconvenient indian a curious account of native people in north america is thomas king s attempt to make some kind of sense of the conflicting narratives and myths created about the european occupation of north america i approached this book as someone who is interested in gaining a deeper awareness of indigenous perspectives

[the inconvenient indian a curious account of native people in](#) - Jun 27 2023

web in the inconvenient indian thomas king offers a deeplyknowing darkly funny unabashedly opinionated and utterlyunconventional account of indian white relatio

the inconvenient indian a curious account of native people in - Sep 18 2022

web 21 reviews reviews aren t verified but google checks for and removes fake content when it s identified in this book the author offers a deeply knowing darkly funny unabashedly opinionated

[the inconvenient indian a curious account of native people in](#) - Jul 28 2023

web the inconvenient indian a curious account of native people in north america king thomas 1943 author free download borrow and streaming internet archive by king thomas 1943 author publication date 2013 topics

the inconvenient indian a curious account of native people in - Aug 17 2022

web dec 1 2018 the inconvenient indian a curious account of native people in north america thomas king 9781518996603 amazon com books books politics social sciences social sciences buy new 19 49 list price 29 99 save 10 50 35 free delivery december 29 30 details arrives after christmas need a gift sooner

the inconvenient indian a curious account of native people in - Nov 20 2022

web the inconvenient indian a curious account of native people in north america ebook written by thomas king read this book using google play books app on your pc android ios devices

the inconvenient indian a curious account of native people in - Mar 24 2023

web aug 13 2013 national bestsellerrich with dark and light pain and magic the inconvenient indian distills the insights gleaned from thomas king s critical and personal meditation on what it means to be

[the inconvenient indian a curious account of native people in](#) - Jun 15 2022

web the inconvenient indian a curious account of native people in north america find a copy online links to this item ebrary ebscohost jstor

the inconvenient indian a curious account of native people in - Oct 19 2022

web the inconvenient indian is at once a history and the complete subversion of a history in short a critical and personal meditation that the remarkable thomas king has conducted over the past 50 years about what it means to be indian in north america

the inconvenient indian a curious account of native people in - May 14 2022

web the inconvenient indian a curious account of native people in north america available formats download daisy 202 full text and audio 132 46 mb running time 09 36 hrs narrator apple alex synthetic publisher bc libraries cooperative 2014 download rtf 916 31 kb publisher bc libraries cooperative 2015 download pdf 4 14 mb

the inconvenient indian summary and study guide supersummary - Jul 16 2022

web the inconvenient indian a curious account of native people in north america is a 2012 nonfiction book by thomas king about the history of indian white relations king is a novelist of cherokee descent and the inconvenient indian is his first book of nonfiction the book was awarded the cba libris award for best non fiction book in 2013

the inconvenient indian a curious account of native people in - Jan 10 2022

web national bestsellerrich with dark and light pain and magic the inconvenient indian distills the insights gleaned from thomas king s critical and personal meditation on what it means to be indian in north america weaving the curiously circular tale of the relationship between non natives and natives in the centuries since the two first

the inconvenient indian a curious account of native people in - Feb 23 2023

web the inconvenient indian a curious account of native people in north america thomas king minneapolis university of minnesota press 2013 billy j stratton

the inconvenient indian a curious account of native people in - Mar 12 2022

web jun 24 2015 the inconvenient indian a curious account of native people in north america thomas king minneapolis university of minnesota press 2013 billy j stratton

the inconvenient indian a curious account of native people in - May 26 2023

web the inconvenient indian a curious account of native people in north america king thomas 1943 author free download borrow and streaming internet archive by king thomas 1943 author publication date 2017 topics

the inconvenient indian a curious account of native people in - Dec 21 2022

web winner of the 2014 rbc taylor prize the inconvenient indian is at once a history and the complete subversion of a history in short a critical and personal meditation that the remarkable

the inconvenient indian wikipedia - Jan 22 2023

web the inconvenient indian a curious account of native people in north america is a book by american canadian author thomas king first published in 2012 by doubleday canada it presents a history of indigenous peoples in north america

the inconvenient indian a curious account of native people in - Feb 11 2022

web jun 24 2015 the inconvenient indian a curious account of native people in north america thomas king minneapolis university of minnesota press 2013 stratton 2015 the journal of american culture wiley online library book review the inconvenient indian a curious account of native people in north america thomas king

the inconvenient indian a curious account of native people in - Apr 25 2023

web jan 2 2018 in the inconvenient indian thomas king offers a deeply knowing darkly funny unabashedly opinionated and utterly unconventional account of indian white relations in north america since initial contact ranging freely across the centuries and the canada u s border king debunks fabricated stories of indian savagery and white

the inconvenient indian illustrated a curious account of native - Apr 13 2022

web the inconvenient indian illustrated a curious account of native people in north america hardcover oct 17 2017 by thomas king author 4 6 1 504 ratings see all formats and editions kindle edition 11 99 read with our free app

reality is not what it seems the journey to quantum gravity - Jun 23 2022

web this book culminates in a lucid overview of quantum gravity the field of research that explores the quantum nature of space and time seeking to unify quantum mechanics and general relativity roveli invites us to imagine a marvelous world where space breaks up into tiny grains time disappears at the smallest scales and black holes are

reality is not what it seems the journey to quantum gravity - May 03 2023

web reality is not what it seems the journey to quantum gravity amazon com tr kitap

reality is not what it seems the journey to quantum gravity - Nov 28 2022

web jan 24 2017 this book culminates in a lucid overview of quantum gravity the field of research that explores the quantum nature of space and time seeking to unify quantum mechanics and general

reality is not what it seems the journey to quantum gravity - May 23 2022

web english 280 pages 22 cm traces how the human image of the world has changed throughout history demonstrating the evolution of the idea of reality while touching on subjects ranging from the higgs boson to quantum gravity

reality is not what it seems the journey to quant dirzon - Feb 17 2022

web online file sharing and storage 10 gb free web space easy registration share your files easily with friends family and the world on dirzon

reality is not what it seems the journey to quantum gravity - Jul 25 2022

web jan 24 2017 this book culminates in a lucid overview of quantum gravity the field of research that explores the quantum nature of space and time seeking to unify quantum mechanics and general relativity roveli invites us to imagine a marvelous world where space breaks up into tiny grains time disappears at the smallest scales and black holes

reality is not what it seems the journey to quantum gravity - Sep 26 2022

web jan 24 2017 reality is not what it seems the journey to quantum gravity roveli carlo 9780735213920 amazon com au books books

reality is not what it seems the journey to quantum gravity - Aug 26 2022

web buy reality is not what it seems the journey to quantum gravity reprint by roveli carlo carnell simon segre erica isbn 9780735213937 from amazon s book store everyday low prices and free delivery on eligible orders

[reality is not what it seems the journey to quantum gravity](#) - Dec 30 2022

web jan 23 2018 in elegant and accessible prose theoretical physicist carlo roveli leads us on a wondrous journey from democritus to einstein from michael faraday to gravitational waves and from classical

reality is not what it seems penguin books uk - Jan 31 2023

web the journey to quantum gravity select a format paperback ebook audio download retailers amazon blackwells bookshop org foyles hive waterstones whsmith summary the physicist transforming how we see the universe financial times an utter joy adam rutherford a hugely engaging book

reality is not what it seems review carlo roveli s journey to quantum - Oct 28 2022

web aug 5 2017 in reality is not what it seems the journey to quantum gravity he sets out to introduce us to an exceedingly strange state of things in which there is no such thing as infinity time as

[reality is not what it seems the journey to quantum gravity](#) - Aug 06 2023

web buy reality is not what it seems the journey to quantum gravity on amazon com free shipping on qualified orders reality is not what it seems the journey to quantum gravity roveli carlo carnell simon segre erica 9780735213937 amazon com books

reality is not what it seems the journey to quantum gravity - Apr 21 2022

web reality is not what it seems the journey to quantum gravity hardcover illustrated 24 january 2017 by carlo roveli author simon carnell translator 1 more 4 6 4 100 ratings see all formats and editions kindle edition 250 16 read with our free app hardcover from 3 441 98 1 used from 3 441 98 returns policy secure transaction

reality is not what it seems the journey to quantum gravity - Jul 05 2023

web praise for reality is not what it seems the journey to quantum gravity some physicists mind you not many of them are physicist poets they see the world or more adequately physical reality as a lyrical narrative written in some hidden code that the human mind can decipher

reality is not what it seems the journey to quantum gravity goodreads - Oct 08 2023

web jan 1 2014 carlo roveli 4 33 13 044 ratings 1 458 reviews from the best selling author of seven brief lessons on physics comes a new book about the mind bending nature of the universe what are time and space made of where does matter come from and what exactly is reality

reality is not what it seems the journey to quantum gravity - Apr 02 2023

web jan 24 2017 this book culminates in a lucid overview of quantum gravity the field of research that explores the quantum

nature of space and time seeking to unify quantum mechanics and general

reality is not what it seems the journey to quantum gravity - Mar 21 2022

web nov 1 2019 isbn 9780241257968 1st edition hardcover allen lane 2016 condition as new book is in as new condition see photos first edition no jacket as issued reality is not what it seems the journey to quantum gravity

reality is not what it seems the journey to quantum gravity - Mar 01 2023

web oct 6 2016 in this mind expanding book he shows how our understanding of reality has changed throughout centuries from democritus to loop quantum gravity taking us on a wondrous journey he invites

reality is not what it seems the journey to quantum gravity - Sep 07 2023

web be prepared for your intellectual foundations to be vaporised carlo rovelli will melt your synapses with this exploration of physical reality and what the universe is formed of at the very deepest level quantum gravity is so new that there aren t many popular books about it

reality is not what it seems the journey to quantum gravity - Jun 04 2023

web reality is not what it seems the journey to quantum gravity rovelli carlo amazon com tr kitap