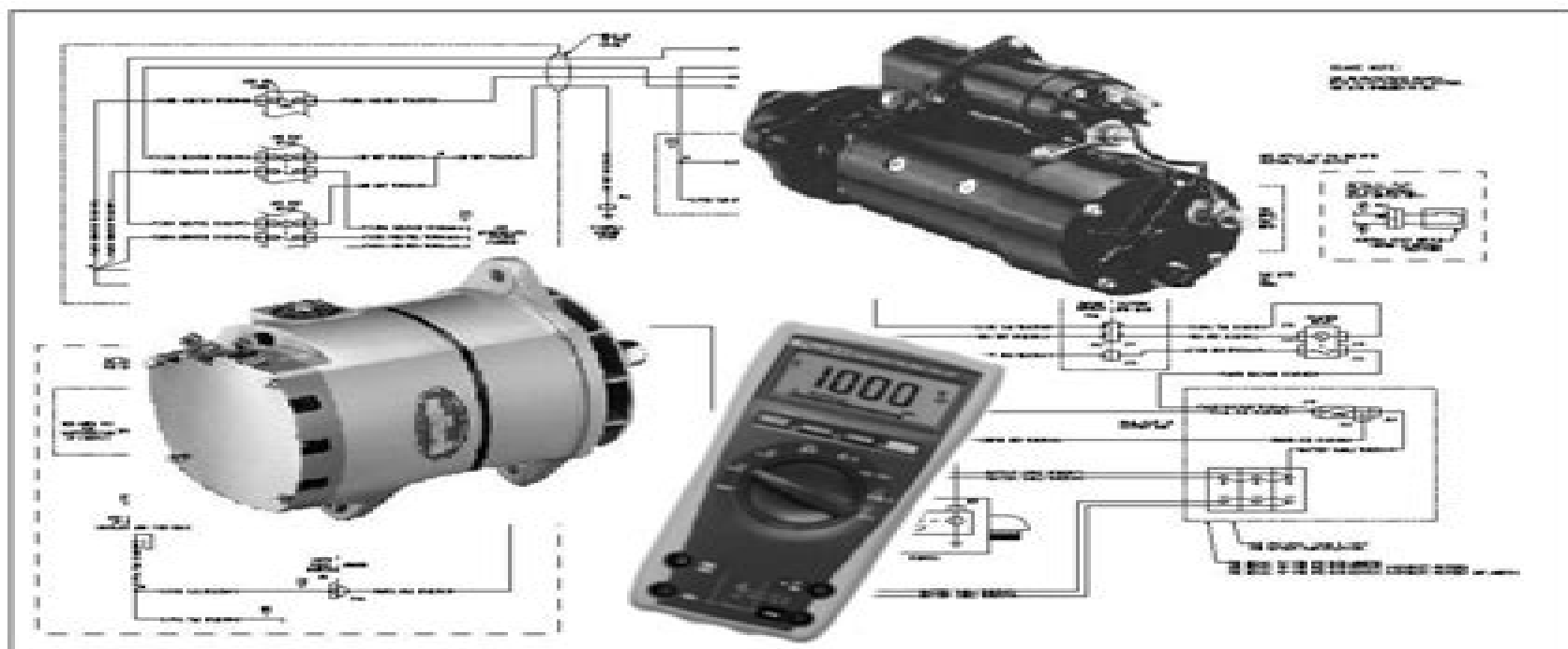


Departamento	Atención al Cliente
Categoría	Manual de Servicio
Sección	Sistema Eléctrico
Título	Sistema Eléctrico
Número	KM815001
Fecha	06/18/03
Modelo	Todos
Página	1 de 70

MANUAL DE SERVICIO

Sistema Eléctrico



Contenido

Teoría de Operación	3
Generación de Electricidad	3
Voltaje, Corriente, Resistencia	4
Tipos de Circuitos	4
Fallas del Sistema Eléctrico	6
Herramientas para Localización de Fallas	8
Diagramas de Cableado	8

Marcadores	8
Luz de Prueba	12
Hidrómetro	12
Diagnóstico / Prueba	14
Plan Sistemático	14
Análisis de Puntos en Común	14
Prueba de Substitución	14
Pruebas de Voltaje	14
Prueba de Circuito Abierto	17

Manual Electrico Kenworth T8

**Thirumalaisamy P.
Velavancorresponding**

Manual Electrico Kenworth T8:

Immerse yourself in heartwarming tales of love and emotion with Crafted by is touching creation, **Manual Electrico Kenworth T8** . This emotionally charged ebook, available for download in a PDF format (*), is a celebration of love in all its forms. Download now and let the warmth of these stories envelop your heart.

<https://staging.conocer.cide.edu/data/uploaded-files/HomePages/Manual%20Impresora%20Hp%20Officejet%20J578.pdf>

Table of Contents Manual Electrico Kenworth T8

1. Understanding the eBook Manual Electrico Kenworth T8
 - The Rise of Digital Reading Manual Electrico Kenworth T8
 - Advantages of eBooks Over Traditional Books
2. Identifying Manual Electrico Kenworth T8
 - Exploring Different Genres
 - Considering Fiction vs. Non-Fiction
 - Determining Your Reading Goals
3. Choosing the Right eBook Platform
 - Popular eBook Platforms
 - Features to Look for in an Manual Electrico Kenworth T8
 - User-Friendly Interface
4. Exploring eBook Recommendations from Manual Electrico Kenworth T8
 - Personalized Recommendations
 - Manual Electrico Kenworth T8 User Reviews and Ratings
 - Manual Electrico Kenworth T8 and Bestseller Lists
5. Accessing Manual Electrico Kenworth T8 Free and Paid eBooks
 - Manual Electrico Kenworth T8 Public Domain eBooks
 - Manual Electrico Kenworth T8 eBook Subscription Services
 - Manual Electrico Kenworth T8 Budget-Friendly Options
6. Navigating Manual Electrico Kenworth T8 eBook Formats

- ePub, PDF, MOBI, and More
 - Manual Electrico Kenworth T8 Compatibility with Devices
 - Manual Electrico Kenworth T8 Enhanced eBook Features
7. Enhancing Your Reading Experience
 - Adjustable Fonts and Text Sizes of Manual Electrico Kenworth T8
 - Highlighting and Note-Taking Manual Electrico Kenworth T8
 - Interactive Elements Manual Electrico Kenworth T8
 8. Staying Engaged with Manual Electrico Kenworth T8
 - Joining Online Reading Communities
 - Participating in Virtual Book Clubs
 - Following Authors and Publishers Manual Electrico Kenworth T8
 9. Balancing eBooks and Physical Books Manual Electrico Kenworth T8
 - Benefits of a Digital Library
 - Creating a Diverse Reading Collection Manual Electrico Kenworth T8
 10. Overcoming Reading Challenges
 - Dealing with Digital Eye Strain
 - Minimizing Distractions
 - Managing Screen Time
 11. Cultivating a Reading Routine Manual Electrico Kenworth T8
 - Setting Reading Goals Manual Electrico Kenworth T8
 - Carving Out Dedicated Reading Time
 12. Sourcing Reliable Information of Manual Electrico Kenworth T8
 - Fact-Checking eBook Content of Manual Electrico Kenworth T8
 - Distinguishing Credible Sources
 13. Promoting Lifelong Learning
 - Utilizing eBooks for Skill Development
 - Exploring Educational eBooks
 14. Embracing eBook Trends
 - Integration of Multimedia Elements
 - Interactive and Gamified eBooks

Manual Electrico Kenworth T8 Introduction

In today's digital age, the availability of Manual Electrico Kenworth T8 books and manuals for download has revolutionized the way we access information. Gone are the days of physically flipping through pages and carrying heavy textbooks or manuals. With just a few clicks, we can now access a wealth of knowledge from the comfort of our own homes or on the go. This article will explore the advantages of Manual Electrico Kenworth T8 books and manuals for download, along with some popular platforms that offer these resources. One of the significant advantages of Manual Electrico Kenworth T8 books and manuals for download is the cost-saving aspect. Traditional books and manuals can be costly, especially if you need to purchase several of them for educational or professional purposes. By accessing Manual Electrico Kenworth T8 versions, you eliminate the need to spend money on physical copies. This not only saves you money but also reduces the environmental impact associated with book production and transportation. Furthermore, Manual Electrico Kenworth T8 books and manuals for download are incredibly convenient. With just a computer or smartphone and an internet connection, you can access a vast library of resources on any subject imaginable. Whether you're a student looking for textbooks, a professional seeking industry-specific manuals, or someone interested in self-improvement, these digital resources provide an efficient and accessible means of acquiring knowledge. Moreover, PDF books and manuals offer a range of benefits compared to other digital formats. PDF files are designed to retain their formatting regardless of the device used to open them. This ensures that the content appears exactly as intended by the author, with no loss of formatting or missing graphics. Additionally, PDF files can be easily annotated, bookmarked, and searched for specific terms, making them highly practical for studying or referencing. When it comes to accessing Manual Electrico Kenworth T8 books and manuals, several platforms offer an extensive collection of resources. One such platform is Project Gutenberg, a nonprofit organization that provides over 60,000 free eBooks. These books are primarily in the public domain, meaning they can be freely distributed and downloaded. Project Gutenberg offers a wide range of classic literature, making it an excellent resource for literature enthusiasts. Another popular platform for Manual Electrico Kenworth T8 books and manuals is Open Library. Open Library is an initiative of the Internet Archive, a non-profit organization dedicated to digitizing cultural artifacts and making them accessible to the public. Open Library hosts millions of books, including both public domain works and contemporary titles. It also allows users to borrow digital copies of certain books for a limited period, similar to a library lending system. Additionally, many universities and educational institutions have their own digital libraries that provide free access to PDF books and manuals. These libraries often offer academic texts, research papers, and technical manuals, making them invaluable resources for students and researchers. Some notable examples include MIT OpenCourseWare, which offers free access to course materials from the Massachusetts Institute of Technology, and the Digital Public Library of America, which provides a vast collection of digitized books and historical documents. In conclusion, Manual Electrico Kenworth T8 books and manuals for download

have transformed the way we access information. They provide a cost-effective and convenient means of acquiring knowledge, offering the ability to access a vast library of resources at our fingertips. With platforms like Project Gutenberg, Open Library, and various digital libraries offered by educational institutions, we have access to an ever-expanding collection of books and manuals. Whether for educational, professional, or personal purposes, these digital resources serve as valuable tools for continuous learning and self-improvement. So why not take advantage of the vast world of Manual Electrico Kenworth T8 books and manuals for download and embark on your journey of knowledge?

FAQs About Manual Electrico Kenworth T8 Books

1. Where can I buy Manual Electrico Kenworth T8 books? Bookstores: Physical bookstores like Barnes & Noble, Waterstones, and independent local stores. Online Retailers: Amazon, Book Depository, and various online bookstores offer a wide range of books in physical and digital formats.
2. What are the different book formats available? Hardcover: Sturdy and durable, usually more expensive. Paperback: Cheaper, lighter, and more portable than hardcovers. E-books: Digital books available for e-readers like Kindle or software like Apple Books, Kindle, and Google Play Books.
3. How do I choose a Manual Electrico Kenworth T8 book to read? Genres: Consider the genre you enjoy (fiction, non-fiction, mystery, sci-fi, etc.). Recommendations: Ask friends, join book clubs, or explore online reviews and recommendations. Author: If you like a particular author, you might enjoy more of their work.
4. How do I take care of Manual Electrico Kenworth T8 books? Storage: Keep them away from direct sunlight and in a dry environment. Handling: Avoid folding pages, use bookmarks, and handle them with clean hands. Cleaning: Gently dust the covers and pages occasionally.
5. Can I borrow books without buying them? Public Libraries: Local libraries offer a wide range of books for borrowing. Book Swaps: Community book exchanges or online platforms where people exchange books.
6. How can I track my reading progress or manage my book collection? Book Tracking Apps: Goodreads, LibraryThing, and Book Catalogue are popular apps for tracking your reading progress and managing book collections. Spreadsheets: You can create your own spreadsheet to track books read, ratings, and other details.
7. What are Manual Electrico Kenworth T8 audiobooks, and where can I find them? Audiobooks: Audio recordings of books, perfect for listening while commuting or multitasking. Platforms: Audible, LibriVox, and Google Play Books offer a wide selection of audiobooks.

8. How do I support authors or the book industry? Buy Books: Purchase books from authors or independent bookstores. Reviews: Leave reviews on platforms like Goodreads or Amazon. Promotion: Share your favorite books on social media or recommend them to friends.
9. Are there book clubs or reading communities I can join? Local Clubs: Check for local book clubs in libraries or community centers. Online Communities: Platforms like Goodreads have virtual book clubs and discussion groups.
10. Can I read Manual Electrico Kenworth T8 books for free? Public Domain Books: Many classic books are available for free as they're in the public domain. Free E-books: Some websites offer free e-books legally, like Project Gutenberg or Open Library.

Find Manual Electrico Kenworth T8 :

[manual impresora hp officejet j5780](#)

[manual hyundai dvd player](#)

[manual instruction for ford transit 350 2001](#)

manual gilera qm 125

[manual fuji s5 pro deutsch](#)

manual for vw polo

[manual impresora lexmark e120](#)

[manual honda crf 250 espanol](#)

manual inkscape em portugues

[manual fusibles citroen zx 94](#)

manual handling legislation uk

[manual honda grand civic 1990](#)

[manual golf 4](#)

manual hp photosmart 6525

manual galaxy s3 mini manual

Manual Electrico Kenworth T8 :

[george w bush presidency britannica](#) - Aug 03 2022

web [george w bush presidency](#) bush was the first republican president to enjoy a majority in both houses of congress since

dwight d eisenhower in the 1950s taking advantage of his party s strength bush proposed a 1 6 trillion tax cut bill in february 2001 a compromise measure worth 1 35 billion was passed by congress in june despite

george w bush simple english wikipedia the free encyclopedia - Sep 04 2022

web george walker bush born july 6 1946 is an american politician and businessman he was the 43rd president of the united states from 2001 to 2009 he is the son of former u s president george h w bush and former u s first lady barbara bush before becoming president he was the governor of texas from 1995 to 2000

george h w bush wikipedia - Apr 30 2022

web early life and education 1924 1948 george herbert walker bush was born in milton massachusetts 4 on june 12 1924 he was the second son of prescott bush and dorothy walker bush 5 and the younger brother of prescott bush jr

bush country how george w bush became the first great - May 12 2023

web in this rousing persuasive and hugely entertaining book john podhoretz says that george w bush has earned a place in the pantheon of great american chief executives and shows in one amazing detail after another how bush s success has driven some of his critics into a pathological frenzy podhoretz is the first to acknowledge that the odds

bush country how george w bush became the first great - Jul 14 2023

web jan 15 2005 bush country how george w bush became the first great leader of the 21st century while driving liberals insane paperback january 15 2005 by john podhoretz author

george w bush wikipedia - Apr 11 2023

web a decisive event that reshaped his administration was the terrorist attacks on september 11 2001 resulting in the start of the war on terror and the creation of the department of homeland security bush ordered the 2001 invasion of afghanistan in an effort to overthrow the taliban destroy al qaeda and capture osama bin laden

george h w bush white house historical association - Jul 02 2022

web nov 30 2018 george h w bush brought to the white house a wish to make the united states a kinder and gentler nation coming from a family with a tradition of public service george herbert walker bush felt the responsibility to make his contribution both in time of war and in peace

george bush u s national park service - Jan 28 2022

web jul 8 2021 in 1844 george bush also known as george washington bush a former hudson s bay company fur trapper and veteran of the united states army led five families including his own across the oregon trail from missouri after a journey of four months bush s group reached oregon territory which was then ruled by a joint occupancy

bush country how george w bush became the first gr fred - Dec 27 2021

web download and install bush country how george w bush became the first gr as a result simple the book on bush eric

alterman 2004 08 03 when george w bush became president in january 2001 he took office with a comfortably familiar surname bipartisan rhetoric and the promise of calming a public shaken by the convulsions of

george w bush biography presidency facts britannica - Aug 15 2023

web sep 13 2023 george w bush in full george walker bush born july 6 1946 new haven connecticut u s 43rd president of the united states 2001 09 who led his country s response to the september 11 terrorist attacks in

presidency of george w bush wikipedia - Mar 10 2023

web george w bush s tenure as the 43rd president of the united states began with his first inauguration on january 20 2001 and ended on january 20 2009 bush a republican from texas and the eldest son of george h w bush took office following a narrow victory over democratic incumbent vice president al gore in the 2000 presidential election

presidency of george h w bush wikipedia - Jun 01 2022

web bush was the father of the 43rd president george w bush international affairs drove the bush presidency which navigated the end of the cold war and a new era of u s soviet relations after the fall of the berlin wall bush successfully pushed for the reunification of germany in close cooperation with west german chancellor helmut kohl

the presidency of george w bush article khan academy - Jan 08 2023

web sep 11 2001 image courtesy wikimedia commons describing himself as a compassionate conservative bush former governor of texas and the son of former president george h w bush became president of the united states in 2001 in one of the closest us presidential elections ever

george w bush the white house - Nov 06 2022

web when george w bush at the age of 54 became the 43rd president of the united states it was only the second time in american history that a president s son went on to the white house

timeline of the george w bush presidency wikipedia - Feb 09 2023

web timeline of the george w bush presidency george w bush a republican from texas was elected president of the united states on december 12 2000 following the u s supreme court decision in bush v gore and was inaugurated as the nation s 43rd president on january 20 2001

bush country how george w bush became the first gr full - Feb 26 2022

web 2 bush country how george w bush became the first gr 2020 09 10 that post 9 11 veterans and their families make successful transitions to civilian life with a focus on gaining meaningful employment and overcoming the invisible wounds of war everything george w bush knows about running the country three rivers press ca this remarkable

george w bush age presidency wife history - Dec 07 2022

web nov 9 2009 did you know bush was the first son of a president to become president since john quincy adams that same

year with america fighting the vietnam war 1954 75 bush was accepted into the
bush country how george w bush became a first great leader - Jun 13 2023

web bush country how george w bush became a first great leader of the 21st century while driving liberals insane by
podhoretz john

george w bush paintings age wife biography - Oct 05 2022

web apr 2 2014 famous political figures u s presidents george w bush george w bush was the 43rd president of the united
states he led his country s response to the 9 11 attacks in 2001 and

george bush presidency vice presidency accomplishments history - Mar 30 2022

web nov 9 2009 george h w bush 1924 2018 served as the 41st president of the united states from 1989 1993 he oversaw
the country through the end of the cold war and the start of the gulf war prior to

business law 3301 quizzes orientation sutd edu sg - Oct 29 2021

business law 3301 quizzes pdf blueskywildlife - Nov 10 2022

web mar 17 2023 business law 3301 quizzes 1 7 downloaded from uniport edu ng on march 17 2023 by guest business law
3301 quizzes thank you very much for reading

business law 3301 quizzes uniport edu ng - May 04 2022

web 6 business law 3301 quizzes 2022 03 05 the textbook this book is designed to encourage students to observe interpret
think critically and engage in authentic inquiry and is

business law 3301 quizzes uniport edu ng - Feb 01 2022

business law 3301 quizzes db udrive ae - Jun 17 2023

web heart of atlanta motel inc v united states case holding that the u s congress could use the power granted to it by the
constitution s commerce clause to force private

business law 3301 quizzes - Feb 13 2023

web 6 business law 3301 quizzes 2023 03 29 cicada 3301 crypto puzzle the additional pages from later stages are also
included in chronological order this book is primarily meant

business law 3301 quizzes uniport edu ng - Mar 02 2022

web may 2nd 2018 read and download business law 3301 quizzes free ebooks in pdf format business law business law the 48
laws of power the 50th law

business law 3301 quizzes zapmap nissan co uk - Sep 08 2022

web aug 1 2023 business law 3301 quizzes 1 6 downloaded from uniport edu ng on august 1 2023 by guest business law 3301 quizzes getting the books business law 3301

business law test 1 review flashcards quizlet - Apr 15 2023

web business osteoporosis is a condition in which bone density decreases often resulting in broken bones bone density usually peaks at age 30 and decreases thereafter to

business law 3301 quizzes uniport edu ng - Jun 05 2022

web apr 15 2023 business law 3301 quizzes 3 6 downloaded from uniport edu ng on april 15 2023 by guest assurance publications each entry in the glossary points to one or more

business law exam quiz proprofs quiz - Mar 14 2023

web aug 31 2023 business law 3301 quizzes pdf this is likewise one of the factors by obtaining the soft documents of this business law 3301 quizzes pdf by online you

business law 3301 chp 1 flashcards quizlet - Sep 20 2023

web business law chapter 3 quiz answered docx university of houston downtown law ba 3301

business law 3301 quizzes eagldemo2 eagltechnology com - Aug 07 2022

web business law 3301 quizzes kvaser de business law quiz 1 flashcards quizlet business law questions quiz by derpsnoherps business law 301 quiz 2 liberty

liberty university busi 301 quiz 3 complete solutions - Dec 11 2022

web 2 business law 3301 quizzes 2023 10 06 tips for finding the right job john benjamins publishing company in his life changing book dr taylor hartman introduces you to the

business law 3301 quizzes uniport edu ng - Jul 06 2022

web may 24 2023 business law 3301 quizzes 2 4 downloaded from uniport edu ng on may 24 2023 by guest techniques while exercises written for mysql offer the reader hands on

business law 3301 quizzes zapmap nissan co uk - Oct 09 2022

web may 4 2023 business law 3301 quizzes 1 5 downloaded from uniport edu ng on may 4 2023 by guest business law 3301 quizzes thank you totally much for downloading

business law 3301 quizzes ai classmonitor com - Jul 18 2023

web business law 3301 quizzes 3 3 naïve about the easy ways these activities can be perverted and used as a means to sin he knows that christians can be about the

business law 3301 quizzes zapmap nissan co uk - Dec 31 2021

busi 301 quiz 1 flashcards quizlet - Jan 12 2023

web 4 business law 3301 quizzes 2021 12 12 service payment model disability and workers compensation insurance claims long term care and how various aspects of the patient

business law 3301 quizzes zapmap nissan co uk - Nov 29 2021

business law 3301 quizzes bespoke cityam - Apr 03 2022

web business law 3301 quizzes 7 7 for which the credit was designed l dbl learning outcomes l dbl teaching methods materials and major subject areas covered l

chapter 3 quiz answers business law pdf course hero - Aug 19 2023

web business law 3301 quizzes downloaded from ai classmonitor com by guest ingrid lacey the federalist papers catapult for more than 25 years this guide has been the

introduction to business law test quiz i proprofs quiz - May 16 2023

web business law 3301 quizzes cyteen de quiz clarkson miller cross business law text and cases 6 business law asean law association top business law quizzes

owlv2 cengage - Aug 16 2023

web cengage read lets students study whenever and wherever they want with online and offline mobile access to their etextbook owlv2 leverages dynamic problems interactive learning self paced practice and detailed feedback to engage and

owl question general chemistry chem 122 docsity - Jul 03 2022

web material type assignment professor adams class honors colloquium chem 122 subject chemistry university university of massachusetts amherst term spring 2009 owl question general chemistry chem 122 docsity

chapter 11 equations for owl assignment and end of chapter - Feb 10 2023

web preview text chapter 11 equations for owl assignment all equations are unbalanced question 3 hcl naoh nacl h₂o

question 5 hcl nh₃ nh₄cl question 6 h₃po₄ naoh na₃po₄ h₂o h₃po₄ naoh na₂hpo₄ h₂o question 7 hc₂h₃o₂ ba oh 2 ba c₂h₃o₂ 2 h₂o question 8 koh khp k₂p h₂o question 9 h₂so₄ naoh

chapter 4 owl study questions course hero - Feb 27 2022

web your response correct answer hf hf aq hf aq s a 2 perchloric acid your response correct answer hclo 4 h aq clo 4 aq h aq clo 4 aq wa 3 hydrocyanic acid your response correct answer hcn hcn aq hcn aq click on chemical formulas above if you need help writing formulas

smartwork adaptive assignments for general chemistry - Jun 02 2022

web jul 27 2020 smartwork adaptive assignments for general chemistry tutorial lessons economics graphing tool directions

chemical equation questions numeric entry questions 2d molecule drawing module general chemistry 2d molecule module organic chemistry 3d molecular visualization module biochemistry multi step

general chemistry 11th edition solutions and answers quizlet - Sep 17 2023

web with expert solutions for thousands of practice problems you can take the guesswork out of studying and move forward with confidence find step by step solutions and answers to general chemistry 9781305580343 as well as thousands of textbooks so you can move forward with confidence

owl chemistry homework answers by petersen michelle issuu - Jan 09 2023

web dec 15 2020 owl homework chemistry stoichmetry and percent yield organic chemistry textbook solutions and answers help what are the missing states of matter 2pbo s c s 2pb co2

owlv2 cengage - Apr 12 2023

web move students beyond memorization of chemistry concepts to a higher level of thinking with owl2 this powerful platform empowers students to learn chemistry through richly dynamic problems detailed feedback and interactive learning modules with owl2 students practice at their own pace receive meaningful feedback and access learning

o level chemistry exam questions tips topical for singapore - Mar 11 2023

web mar 1 2016 after communicating with several students i realised that many come to this chemistry blog to look for more o level chemistry questions and solutions answers in fact you can find them at chemistry notes tips under categories on the right hand side column of this blog seems like many students are not sure how to find the topics of

chemistry owl chapter 1 flashcards quizlet - May 01 2022

web generally the vapor pressure of a liquid is related to there may be more than one answer a amount of the liquid b atmospheric pressure c temperature d intermolecular forces explain verified answer

owl 12 question and answer sample mass 1 studocu - May 13 2023

web owl 12 question and answer sample mass use the percentage as dimensional analysis conversion factor to find the grams of nh4 2co3 given 196 9 73 nh4 2co3

owlv2 for zumdahl zumdahl s chemistry 9th edition instant - Jun 14 2023

web unlike static pdf owl2 for zumdahl zumdahl s chemistry 9th edition instant access 9th edition solution manuals or printed answer keys our experts show you how to solve each problem step by step no need to wait for office hours or assignments to be graded to find out where you took a wrong turn

chemistry 100 introduction to general chemistry spring 2023 - Dec 08 2022

web owl assignments homework and exam review quizzes before you begin there will be several introductions to owl assignments these intro assignments are to help guide you into using the program attempting to use owl without

understanding how the program works can lead to issues later

general chemistry textbook solutions and answers chegg com - Nov 07 2022

web edition 5th view 2059 solutions bundle introductory chemistry for today owl 24 months printed access card for general organic and biochemistry 7th edition author spencer l spencer l seager seager michael r slabaugh spencer l seager spencer l seager michael r slabaugh isbn 9781133287117

owl assignments general chemistry chem 111 docsity - Jul 15 2023

web material type assignment class gen chem sci subject chemistry university university of massachusetts amherst term fall 2008

owl tips assignments answers online homework owl you - Oct 18 2023

web do the introductory assignment in owl carefully this should take about 60 minutes do use a notebook to do your work in copy the question show all of your work then input the correct answer into owl you will thank us for this advice later many students do

owlv2 cengage - Sep 05 2022

web owlv2 is an online learning platform for supported cengage chemistry textbooks that includes readings tutorials interactive simulations and algorithmically generated homework questions owlv2 help comprehensive help information and answers to frequently asked questions about using owlv2

chem is killing me anyone else using owl how much - Mar 31 2022

web jan 2 2015 i m in gen chem 2 now and we ve used owl for both semesters my class actually has a student board of sorts that meets with the prof regarding issues the students are having and they got him to make most of the owl problems optional now last semester i did all the optional problems anyway because i felt it helped me learn the

general chemistry owl answers pdf free download docplayer - Oct 06 2022

web the answers to these riddles are not discussed here some books bellow will offer you all associated to general chemistry owl answers review answers exam 2 general chemistry i review answers exam 2 general chemistry i f 08 review answers exam 2 general chemistry i these questions represent only a

owl assignments ch101 general chemistry fall 2011 boston - Aug 04 2022

web owl assignments what owl is owl online web learning is our online homework system your work with owl counts 10 toward your course score owl assignments will be due on sunday nights at 11 59 pm unless otherwise announced you should expect an assignment to be due every week owl assignments should take you about two hours