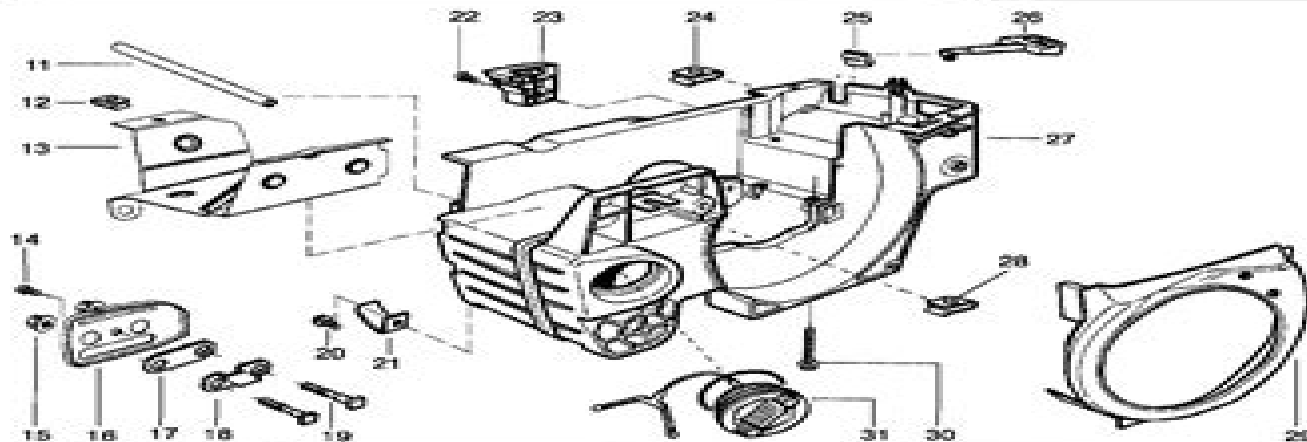
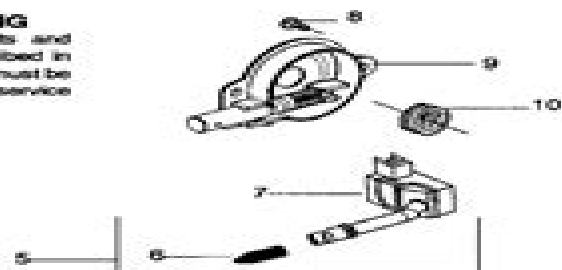
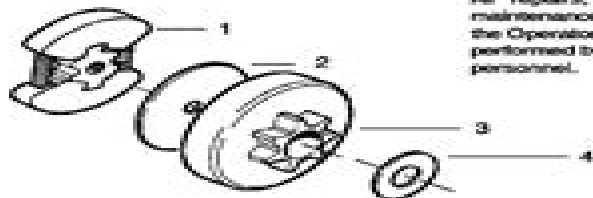


**WARNING**

All repairs, adjustments and maintenance not described in the Operator's Manual must be performed by qualified service personnel.



# Husqvarna 235 E Series Chainsaw Manual

**David Baud**



## **Husqvarna 235 E Series Chainsaw Manual:**

## Unveiling the Energy of Verbal Beauty: An Psychological Sojourn through **Husqvarna 235 E Series Chainsaw Manual**

In a world inundated with monitors and the cacophony of immediate transmission, the profound power and mental resonance of verbal artistry often diminish into obscurity, eclipsed by the continuous barrage of sound and distractions. Yet, set within the lyrical pages of **Husqvarna 235 E Series Chainsaw Manual**, a charming perform of literary elegance that pulses with organic emotions, lies an remarkable journey waiting to be embarked upon. Penned by a virtuoso wordsmith, this magical opus instructions visitors on a mental odyssey, delicately exposing the latent potential and profound impact embedded within the complicated internet of language. Within the heart-wrenching expanse with this evocative analysis, we shall embark upon an introspective exploration of the book is main subjects, dissect its interesting writing fashion, and immerse ourselves in the indelible impact it leaves upon the depths of readers souls.

<https://staging.conocer.cide.edu/About/detail/fetch.php/Letting%20Go.pdf>

### **Table of Contents Husqvarna 235 E Series Chainsaw Manual**

1. Understanding the eBook Husqvarna 235 E Series Chainsaw Manual
  - The Rise of Digital Reading Husqvarna 235 E Series Chainsaw Manual
  - Advantages of eBooks Over Traditional Books
2. Identifying Husqvarna 235 E Series Chainsaw Manual
  - Exploring Different Genres
  - Considering Fiction vs. Non-Fiction
  - Determining Your Reading Goals
3. Choosing the Right eBook Platform
  - Popular eBook Platforms
  - Features to Look for in an Husqvarna 235 E Series Chainsaw Manual
  - User-Friendly Interface
4. Exploring eBook Recommendations from Husqvarna 235 E Series Chainsaw Manual
  - Personalized Recommendations

- Husqvarna 235 E Series Chainsaw Manual User Reviews and Ratings
- Husqvarna 235 E Series Chainsaw Manual and Bestseller Lists
- 5. Accessing Husqvarna 235 E Series Chainsaw Manual Free and Paid eBooks
  - Husqvarna 235 E Series Chainsaw Manual Public Domain eBooks
  - Husqvarna 235 E Series Chainsaw Manual eBook Subscription Services
  - Husqvarna 235 E Series Chainsaw Manual Budget-Friendly Options
- 6. Navigating Husqvarna 235 E Series Chainsaw Manual eBook Formats
  - ePub, PDF, MOBI, and More
  - Husqvarna 235 E Series Chainsaw Manual Compatibility with Devices
  - Husqvarna 235 E Series Chainsaw Manual Enhanced eBook Features
- 7. Enhancing Your Reading Experience
  - Adjustable Fonts and Text Sizes of Husqvarna 235 E Series Chainsaw Manual
  - Highlighting and Note-Taking Husqvarna 235 E Series Chainsaw Manual
  - Interactive Elements Husqvarna 235 E Series Chainsaw Manual
- 8. Staying Engaged with Husqvarna 235 E Series Chainsaw Manual
  - Joining Online Reading Communities
  - Participating in Virtual Book Clubs
  - Following Authors and Publishers Husqvarna 235 E Series Chainsaw Manual
- 9. Balancing eBooks and Physical Books Husqvarna 235 E Series Chainsaw Manual
  - Benefits of a Digital Library
  - Creating a Diverse Reading Collection Husqvarna 235 E Series Chainsaw Manual
- 10. Overcoming Reading Challenges
  - Dealing with Digital Eye Strain
  - Minimizing Distractions
  - Managing Screen Time
- 11. Cultivating a Reading Routine Husqvarna 235 E Series Chainsaw Manual
  - Setting Reading Goals Husqvarna 235 E Series Chainsaw Manual
  - Carving Out Dedicated Reading Time
- 12. Sourcing Reliable Information of Husqvarna 235 E Series Chainsaw Manual
  - Fact-Checking eBook Content of Husqvarna 235 E Series Chainsaw Manual

- Distinguishing Credible Sources
- 13. Promoting Lifelong Learning
  - Utilizing eBooks for Skill Development
  - Exploring Educational eBooks
- 14. Embracing eBook Trends
  - Integration of Multimedia Elements
  - Interactive and Gamified eBooks

### **Husqvarna 235 E Series Chainsaw Manual Introduction**

Free PDF Books and Manuals for Download: Unlocking Knowledge at Your Fingertips In today's fast-paced digital age, obtaining valuable knowledge has become easier than ever. Thanks to the internet, a vast array of books and manuals are now available for free download in PDF format. Whether you are a student, professional, or simply an avid reader, this treasure trove of downloadable resources offers a wealth of information, conveniently accessible anytime, anywhere. The advent of online libraries and platforms dedicated to sharing knowledge has revolutionized the way we consume information. No longer confined to physical libraries or bookstores, readers can now access an extensive collection of digital books and manuals with just a few clicks. These resources, available in PDF, Microsoft Word, and PowerPoint formats, cater to a wide range of interests, including literature, technology, science, history, and much more. One notable platform where you can explore and download free Husqvarna 235 E Series Chainsaw Manual PDF books and manuals is the internet's largest free library. Hosted online, this catalog compiles a vast assortment of documents, making it a veritable goldmine of knowledge. With its easy-to-use website interface and customizable PDF generator, this platform offers a user-friendly experience, allowing individuals to effortlessly navigate and access the information they seek. The availability of free PDF books and manuals on this platform demonstrates its commitment to democratizing education and empowering individuals with the tools needed to succeed in their chosen fields. It allows anyone, regardless of their background or financial limitations, to expand their horizons and gain insights from experts in various disciplines. One of the most significant advantages of downloading PDF books and manuals lies in their portability. Unlike physical copies, digital books can be stored and carried on a single device, such as a tablet or smartphone, saving valuable space and weight. This convenience makes it possible for readers to have their entire library at their fingertips, whether they are commuting, traveling, or simply enjoying a lazy afternoon at home. Additionally, digital files are easily searchable, enabling readers to locate specific information within seconds. With a few keystrokes, users can search for keywords, topics, or phrases, making research and finding relevant information a breeze. This efficiency saves time and effort, streamlining the learning process and allowing individuals to

focus on extracting the information they need. Furthermore, the availability of free PDF books and manuals fosters a culture of continuous learning. By removing financial barriers, more people can access educational resources and pursue lifelong learning, contributing to personal growth and professional development. This democratization of knowledge promotes intellectual curiosity and empowers individuals to become lifelong learners, promoting progress and innovation in various fields. It is worth noting that while accessing free Husqvarna 235 E Series Chainsaw Manual PDF books and manuals is convenient and cost-effective, it is vital to respect copyright laws and intellectual property rights. Platforms offering free downloads often operate within legal boundaries, ensuring that the materials they provide are either in the public domain or authorized for distribution. By adhering to copyright laws, users can enjoy the benefits of free access to knowledge while supporting the authors and publishers who make these resources available. In conclusion, the availability of Husqvarna 235 E Series Chainsaw Manual free PDF books and manuals for download has revolutionized the way we access and consume knowledge. With just a few clicks, individuals can explore a vast collection of resources across different disciplines, all free of charge. This accessibility empowers individuals to become lifelong learners, contributing to personal growth, professional development, and the advancement of society as a whole. So why not unlock a world of knowledge today? Start exploring the vast sea of free PDF books and manuals waiting to be discovered right at your fingertips.

### **FAQs About Husqvarna 235 E Series Chainsaw Manual Books**

1. Where can I buy Husqvarna 235 E Series Chainsaw Manual books? Bookstores: Physical bookstores like Barnes & Noble, Waterstones, and independent local stores. Online Retailers: Amazon, Book Depository, and various online bookstores offer a wide range of books in physical and digital formats.
2. What are the different book formats available? Hardcover: Sturdy and durable, usually more expensive. Paperback: Cheaper, lighter, and more portable than hardcovers. E-books: Digital books available for e-readers like Kindle or software like Apple Books, Kindle, and Google Play Books.
3. How do I choose a Husqvarna 235 E Series Chainsaw Manual book to read? Genres: Consider the genre you enjoy (fiction, non-fiction, mystery, sci-fi, etc.). Recommendations: Ask friends, join book clubs, or explore online reviews and recommendations. Author: If you like a particular author, you might enjoy more of their work.
4. How do I take care of Husqvarna 235 E Series Chainsaw Manual books? Storage: Keep them away from direct sunlight and in a dry environment. Handling: Avoid folding pages, use bookmarks, and handle them with clean hands. Cleaning: Gently dust the covers and pages occasionally.

5. Can I borrow books without buying them? Public Libraries: Local libraries offer a wide range of books for borrowing. Book Swaps: Community book exchanges or online platforms where people exchange books.
6. How can I track my reading progress or manage my book collection? Book Tracking Apps: Goodreads, LibraryThing, and Book Catalogue are popular apps for tracking your reading progress and managing book collections. Spreadsheets: You can create your own spreadsheet to track books read, ratings, and other details.
7. What are Husqvarna 235 E Series Chainsaw Manual audiobooks, and where can I find them? Audiobooks: Audio recordings of books, perfect for listening while commuting or multitasking. Platforms: Audible, LibriVox, and Google Play Books offer a wide selection of audiobooks.
8. How do I support authors or the book industry? Buy Books: Purchase books from authors or independent bookstores. Reviews: Leave reviews on platforms like Goodreads or Amazon. Promotion: Share your favorite books on social media or recommend them to friends.
9. Are there book clubs or reading communities I can join? Local Clubs: Check for local book clubs in libraries or community centers. Online Communities: Platforms like Goodreads have virtual book clubs and discussion groups.
10. Can I read Husqvarna 235 E Series Chainsaw Manual books for free? Public Domain Books: Many classic books are available for free as they're in the public domain. Free E-books: Some websites offer free e-books legally, like Project Gutenberg or Open Library.

### **Find Husqvarna 235 E Series Chainsaw Manual :**

**letting go**

**letters of james r. lowell**

[lexington goes down a fighting carriers last hours in the coral sea](#)

letters to the united states of america

**letters of horace walpole**

*lhomme de harlem*

[letters to ellen](#)

**letters from saints to sinners**

*ley en la grecia clasica la*

[lfducation ffline](#)

*letters and memorials of jane welsh carlyle part two*



**libel and slander**

[letters of baron friedrich von hugel and professor norman kemp smith](#)

[letters from england 18461849](#)

[letters of john holmes to james russell lowell and others](#)

**Husqvarna 235 E Series Chainsaw Manual :**

[kinematics of human motion by zatsiorsky vladimir new](#) - Feb 18 2022

web oct 6 2017 then dr zatsiorsky examines differential kinematics of human motion by adding the variables of velocity and acceleration in simple and complex biokinematic chains and by adding the variable of three dimensional movement to the study of

**kinetics of human motion vladimir m zatsiorsky google books** - Oct 09 2023

web kinetics of human motion vladimir m zatsiorsky human kinetics 2002 human locomotion 653 pages written by the foremost authority on the subject kinetics of human motion is the

[kinetics of human motion by vladimir m zatsiorsky](#) - Nov 29 2022

web this book to promote the establishment of human motion research as a multi faceted discipline and to improve the exchange of ideas and concepts between these three areas

[kinematics of human motion zatsiorsky vladimir m 1932](#) - Sep 08 2023

web kinematics of human motion by zatsiorsky vladimir m 1932 publication date 1998 topics human mechanics kinematics human locomotion publisher champaign il human kinetics

[kinetics of human motion zatsiorsky vladimir amazon ca](#) - Jul 26 2022

web apr 19 2002 written by the foremost authority on the subject kinetics of human motion is the sequel and companion to the 1998 text kinematics of human motion world renowned biomechanics expert vladimir zatsiorsky has written kinetics of human motion to be an indispensable reference for human movement professionals although

[kinematics of human motion deepdyve](#) - May 24 2022

web jan 1 1998 kinematics of human motion knutzen kathleen m 1998 01 01 00 00 00 kinematics of human motion by vladimir m zatsiorsky xi 419 pp champaign il human kinetics 1998 49 00 cloth this book provides comprehensive technical information on the kinematic analysis of human motion and the author has compiled

**kinetics of human motion vladimir m zatsiorsky amazon co uk** - Oct 29 2022

web apr 1 2002 written by a recognized authority on the subject kinetics of human motion is the sequel and companion to the 1998 text kinematics of human motion biomechanics expert vladimir zatsiorsky has written this book to be an

indispensable reference for human movement professionals

**kinetics of human motion request pdf researchgate** - Apr 03 2023

web request pdf on jan 1 2002 zatsiorsky vm published kinetics of human motion find read and cite all the research you need on researchgate

*kinetics of human motion zatsiorsky vladimir m amazon de* - Mar 22 2022

web apr 1 2002 kinetics of human motion is divided into six chapters that cover external contact forces statics kinematic chains inertial characteristics of the body dynamics of human motion and work and energy in human motion readers will learn about the following three dimensional analysis of forces and movements kinetics of multilink

**kinetics of human motion ghent university library** - Feb 01 2023

web vladimir m zatsiorsky more about human locomotion human mechanics services sports sciences hilo open print view location g81 biom00 115 in process try again later watersportlaan 2 blok a verdieping 1 9000 gent view on google maps 09 264 63 38 rudi vanhecke ugent be view library services at the library sports sciences hilo

[kinetics of human motion zatsiorsky vladimir 9780736037785](#) - Aug 27 2022

web kinetics of human motion is divided into six chapters that cover external contact forces statics kinematic chains inertial characteristics of the body dynamics of human motion and work and energy in human motion readers will learn about the following

**kinematics of human motion 1st edition amazon com** - Jun 05 2023

web sep 9 1997 this book is the first major text on the kinematics of human motion and is written by one of the world's leading authorities on the subject the book begins with careful descriptions of how to study human body position and displacement without regard to time velocity or acceleration

**kinetics of human motion 1st edition amazon com** - May 04 2023

web apr 19 2002 1st edition written by the foremost authority on the subject kinetics of human motion is the sequel and companion to the 1998 text kinematics of human motion world renowned biomechanics expert vladimir zatsiorsky has written kinetics of human motion to be an indispensable reference for human movement professionals

*kinematics of human motion vladimir m zatsiorsky google* - Aug 07 2023

web kinematics of human motion vladimir m zatsiorsky human kinetics 1998 human locomotion 419 pages this book is the first major text on the kinematics of human motion and is

**understanding human motion a historic review researchgate** - Apr 22 2022

web jan 1 2008 zatsiorsky v m kinetics of human motion human kinetics champaign 2002 52 human motion studies today are basically performed by modeling human dynamic shape and by applying

*kinetics of human motion semantic scholar* - Sep 27 2022

web kinetics of human motion v zatsiorsky published 2002 computer science lms learningtogive org save to library create alert cite 678 citations citation type more filters kinematic and kinetic comparisons between elite female and male baseball pitchers yung chien chu engineering 2007

**vladimir zatsiorsky google scholar** - Jul 06 2023

web kinetics of human motion vm zatsiorsky human kinetics 2002 2010 2002 the mass and inertia characteristics of the main segments of the human body v zatsiorsky vm zatsiorsky experimental brain research 152 281 292 2003 326 2003 effects of body lean and visual information on the equilibrium maintenance during stance m duarte vm

*vladimir m zatsiorsky kinetics of human motion human kinetics 2002* - Jun 24 2022

web request pdf on jun 30 2005 m r yeadon published vladimir m zatsiorsky kinetics of human motion human kinetics 2002 isbn 0 88011 676 5 p 419 pp 51 find read and cite all the

[kinematics of human motion vladimir m zatsiorsky](#) - Mar 02 2023

web kinematics of human motion vladimir m zatsiorsky zatsiorsky vladimir m edited by human kinetics 1998 subject description subjects motion biomechanics human body

**kinematics of human motion by vladimir m zatsiorsky open** - Dec 31 2022

web jun 2 2023 created by an anonymous user imported from scriblio marc record kinematics of human motion by vladimir m zatsiorsky 1998 human kinetics edition in english

**new general mathematics for ss1 answers 2022** - Jun 01 2022

web new general mathematics answers to books 1 and 2 new general mathematics pearson africa new general mathematics for ss1 answers pdf new general mathematics for ss1 answers downloaded from ams istanbul edu tr by

*new general mathematics pearson* - May 12 2023

web new general mathematics for secondary senior schools 1 h otto 9781292119748 ngm mat fm1 tg eng ng indb 1 2015 08 02 2 06 pm pearson education limited edinburgh gate together will give an answer of 1 if you have a fraction and want to find the reciprocal you swop the numerator and the denominator to get

**mathematics lesson notes ss1 first term edudelight com** - Feb 09 2023

web rules of divisibility test a number is divisible by 2 if the last digit of the number is even or zero 3 if the sum of the digits is divisible by 3 4 if the number formed by the last 2 digits is divisible by 4 5 if the numbers end in 0 or 5 6 if the number is divisible by both 2 and 3 7 no rule to it yet

*get the free new general mathematics ss1 pdf form pdffiller* - Aug 03 2022

web the purpose of the new general mathematics ss1 is to introduce students to the fundamental concepts and principles of

mathematics at the secondary school level it aims to build a solid foundation in mathematics and develop essential mathematical skills including problem solving critical thinking and logical reasoning

*mathematics ss1 classnotes ng* - Mar 10 2023

web nov 27 2019 on this page get all mathematics ss1 topics from first term to third term find them below study them and excel in your examinations

new general maths sss1 3 step by step solutions to all exercises 1st - Oct 05 2022

web apr 7 2018 1 reply go down new general maths sss1 3 step by step solutions to all exercises 1st time ever by grabdbull 12 57pm on apr 07 2018 many students have the problem of either being bad at mathematics or at best average some even go as far as looking for expo when it is time to write utme or waec

essential mathematics textbook for senior secondary school pdf - Sep 04 2022

web new general mathematics for ss1 answers 2 mathematics school book 1 new general mathematics for senior secondary comprehensive mathematics for senior secondary school meaning mathematics textbooks from ss1 to ss3 pdf 1 5 downloaded from ny hearstfdn org on december 20 2020 by

**new general mathematics for ss1 answers qa1 nuevesolutions** - Apr 30 2022

web enjoy now is new general mathematics for ss1 answers below new general mathematics for ss1 answers 2019 12 16 madden sarai new general mathematics fill online printable fillable new general mathematics for senior secondary schools solutions ss1 chp1 ex1a q5 new general mathematics for senior

**lesson notes mathematics ss1 first term edudelight com** - Nov 06 2022

web give your answer in meters in standard form a length of wire is given as 6 8cm correct to 2 significant figures what is the least possible length of the wire a give the number 29 542 to the nearest ten b write 0 07258 to 3 significant figures mathematics notes for ss1 edudelight com

**new general mathematics for senior secondary schools ss1** - Apr 11 2023

web feb 8 2020 let s help you solve the exercises in you textbook before the topic is even treated in class this solution is for new general mathematics for senior secondary schools ss1 chapter 1 exercise 1a

newgeneralmathematicsforss1 2022 academy robotistan - Dec 27 2021

web for ss1 answers new general mathematics for ss1 answers 2 15 downloaded from interactivearchivist archivists org on november 8 2022 by donald m boyle advanced algebra anthony w knapp 2007 10 11 basic algebra and advanced algebra systematically develop concepts and tools in algebra that are vital to new general mathematics for ss1

*new general mathematics pearson* - Jan 08 2023

web teachers should have the mathematics textbook of the junior secondary school course and book 1 and book 2 of the

senior secondary school course students should have 1 book 1 and book 2 2 an exercise book 3 graph paper 4 a scientific calculator if possible 3 glossary of terms algebraic expression a mathematical phrase that

**new general mathematics pearson** - Dec 07 2022

web new general mathematics series which previously consisted of the student s book and the student s practice book in this revision the student s practice book has been called the workbook this teacher s guide supports the new general mathematics for junior secondary schools 1 3 series as revised to align to the 2013 nerdc curriculum

**new general mathematics for ss1 answers** - Jul 02 2022

web new general mathematics for ss1 answers new general mathematics may 25 2022 this is a completely revised version of the new general mathematics series it has been written specifically to cover the needs of the new 8 4 4 syllabus for the kenya certificate of secondary education maths in focus jan 27 2020

**new general mathematics for ss1 uniport edu** - Jan 28 2022

web web new general mathematics for ss1 answers new general mathematics may 25 2022 this is a completely revised version of the new general mathematics series it has been written specifically to cover the needs of the new 8 4 4 syllabus for the kenya certificate of secondary education maths in focus jan 27 2020

free mathematics exam questions and answers for ss1 - Jul 14 2023

web free mathematics exam questions and answers for ss1 these mathematics questions and answers were pulled from our book mathematics questions for ss 1 compiled to serve as a reference material to help teachers draw

*new general mathematics for senior secondary school 1* - Aug 15 2023

web new general mathematics for senior secondary school 1 this is a new edition of nigeria s leading senior secondary maths course offering complete and up to date coverage of the new syllabus

**new general mathematics ss1 questions and answers** - Feb 26 2022

web complete new general mathematics for ss1 answers new general mathematics for ss1 answers online with us legal forms easily fill out pdf blank edit

new general mathematics for ss1 answers 2022 - Mar 30 2022

web for ss1 new general mathematics for ss1 answers get read download ebook new general mathematics for ss1 answers as pdf for free at the biggest ebook library in the world get new general mathematics for ss1 answers pdf file for free on our ebook library pdf file new general mathematics for ss1 answers new general

*new general mathematics answers to books 1 and 2 textbook* - Jun 13 2023

web new general mathematics answers to books 1 and 2 textbook solutions from chegg view all supported editions

**guide to the classics how marcus aurelius meditations can** - Nov 04 2022

web jul 22 2020 described by philosopher and biblical scholar ernst renan as a gospel for those who do not believe in the supernatural the meditations is a series of fragments aphorisms arguments and

[meditations by marcus aurelius goodreads](#) - Apr 09 2023

web 220 275 ratings12 457 reviews written in greek by the only roman emperor who was also a philosopher without any intention of publication the meditations of marcus aurelius offer a remarkable series of challenging spiritual reflections and exercises developed as the emperor struggled to understand himself and make sense of the universe

[the internet classics archive the meditations by marcus](#) - Feb 07 2023

web the meditations by marcus aurelius written 167 a c e translated by george long table of contents book one from my grandfather verus i learned good morals and the government of my temper from the reputation and remembrance of my father modesty and a manly character

[meditations a new translation by marcus aurelius goodreads](#) - Oct 03 2022

web aug 28 2021 marcus aurelius gregory hays 4 56 844 ratings73 reviews nearly two thousand years after it was written meditations remains profoundly relevant for anyone seeking to lead a meaningful life few ancient works have been as

influential as the meditations of marcus aurelius philosopher and emperor of rome a d 161 180

[marcus aurelius stoic philosopher roman emperor](#) - Mar 08 2023

web the meditations of marcus aurelius a more intimate contact with the thoughts pursued by marcus during the troubling involvements of his reign though not what would have been historically most valuable his day to day political thoughts can be

**the meditations of marcus aurelius archive org** - Jul 12 2023

web dec 31 2014 the meditations of marcus aurelius by publication date 1887 publisher london w scott collection uconn libraries blc greatbooks americana greekclassicslist

**why marcus aurelius really wrote the meditations** - Jan 26 2022

web jun 26 2023 in the latter years of his life marcus kept a journal now called the meditations which has miraculously come down to us and through which we might enter the mind of the philosopher king

[aurelius marcus internet encyclopedia of philosophy](#) - Dec 05 2022

web marcus aurelius 121 180 c e the philosophy of the roman emperor marcus aurelius can be found in a collection of personal writings known as the meditations these reflect the influence of stoicism and in particular the philosophy of epictetus the stoic the meditations may be read as a series of practical philosophical exercises

**meditations archive org** - Jun 30 2022

web they could hardly have guessed that he was destined for the imperial purple or seen in their mind s eye the lonely bronze horseman whose upraised hand greets us from the capitoline hill in rome across two thousand years marcus sprang from a

distinguished enough family

[5 quotes from marcus aurelius meditations explained](#) - Jul 20 2021

web sep 26 2023 the meditations by marcus aurelius is not an ordinary philosophy book it wasn't written for people to read it's a collection of the roman emperor's life-changing philosophical thoughts and reflections who was facing huge challenges during his reign he wrote down his thoughts to gain more clarity resilience and patience his words teach

*the meditations of the emperor marcus aurelius antoninus* - Jun 11 2023

web the meditations of the emperor marcus aurelius antoninus translated by francis hutcherson and james moor edited and with an introduction by james moore and michael silverthorne

**meditations definition contents stoicism marcus aurelius** - May 10 2023

web sep 12 2023 meditations work by the roman emperor marcus aurelius 121-180 CE ruled 161-180 CE consisting of stoicism inspired philosophical reflections probably written during the early 170s while marcus was leading a series of military campaigns against germanic tribes along the danube river in central

**the internet classics archive the meditations by marcus** - Sep 14 2023

web the meditations by marcus aurelius part of the internet classics archive

**marcus aurelius stanford encyclopedia of philosophy** - Jan 06 2023

web nov 29 2010 the second century CE roman emperor marcus aurelius was also a stoic philosopher and his meditations which he wrote to and for himself offers readers a unique opportunity to see how an ancient person indeed an emperor might try to live a stoic life according to which only virtue is good only vice is bad and the things which we normally

**the meditations of marcus aurelius antoninus oxford world s** - Dec 25 2021

web jul 15 2008 marcus aurelius antoninus was born to an upper class roman family in AD 121 and was later adopted by the future emperor antoninus pius whom he succeeded in 161 his reign was marked by a successful campaign against parthia but was overshadowed in later years by plague an abortive revolt in the eastern provinces and

**10 best marcus aurelius quotes from meditations daily stoic** - Apr 28 2022

web it's for this reason that marcus aurelius's meditations is a somewhat inscrutable book it was for personal clarity and not public benefit writing down stoic exercises was and is also a form of practicing them just as repeating a prayer or hymn might be

*pdf epub meditations by marcus aurelius download* - May 18 2021

web oct 8 2023 nearly two thousand years after it was written meditations remains profoundly relevant for anyone seeking to lead a meaningful life few ancient works have been as influential as the meditations of marcus aurelius philosopher and emperor of rome AD 161-180

[meditations paperback marcus aurelius robin hard](#) - Sep 21 2021

web marcus aurelius meditations is a private notebook of philosophical reflections with universal significance drawing on stoic philosophy marcus confronts challenges that affect us all in our struggle to live meaningful lives this edition includes a selection of marcus correspondence with his tutor fronto which complements the meditations

[meditations wikipedia](#) - Aug 13 2023

web meditations koinē greek τὰ εἰς ἑαυτὸν romanized ta eis heauton lit things to one s self is a series of personal writings by marcus aurelius roman emperor from ad 161 to 180 recording his private notes to himself and ideas on stoic philosophy

**marcus aurelius biography meditations facts britannica** - Aug 01 2022

web sep 9 2023 marcus aurelius roman emperor 161 180 best known for his meditations on stoic philosophy he has symbolized for many generations in the west the golden age of the roman empire learn more about marcus aurelius s life including his rise to power his reign and his legacy

**marcus aurelius meditations inside the mind of the** - Oct 23 2021

web oct 3 2022 donald robertson 2020 for example is the author of a book on marcus stoicism in an article for the guardian he writes how marcus aurelius meditations can help people through the ongoing covid 19 pandemic without meditations we would still know marcus as the last emperor who presided over the pax romana

**marcus aurelius quotes author of meditations goodreads** - Aug 21 2021

web showing 1 30 of 2 835 you have power over your mind not outside events realize this and you will find strength marcus aurelius meditations tags ataraxy inner strength inspiration self control strength 5393 likes like dwell on the beauty of life watch the stars and see yourself running with them

**the project gutenber ebook of meditations by marcus aurelius** - Sep 02 2022

web mar 8 2021 marcus aurelius antoninus was born on april 26 a d 121 his real name was m annius verus and he was sprung of a noble family which claimed descent from numa second king of rome thus the most religious of emperors came of the blood of the most pious of early kings

*meditations by marcus aurelius plot summary litcharts* - May 30 2022

web as a collection of marcus aurelius s philosophical reflections meditations doesn t have a coherent plot structure but each of its 12 books focuses on several recurrent themes living a philosophical life social relationships nature and the gods and mortality

[meditations by marcus aurelius book summary and review](#) - Nov 23 2021

web feb 23 2023 1 sentence summary meditations is a collection of 12 books written by roman emperor marcus aurelius who consistently journaled to remember his education in stoic philosophy and whose writings will teach you logic faith and



self discipline read in 4 minutes favorite quote from the author

**how marcus aurelius and his meditations can help us to** - Jun 18 2021

web oct 13 2023 marcus aurelius was the emperor of rome from 161 180 he was born on april 26 121 to a wealthy and prominent family in rome italy aurelius was a hard working student and enjoyed studying latin

**meditations by marcus aurelius a book summary of** - Mar 28 2022

web apr 13 2023 meditations by marcus aurelius a book summary of stoicism s greatest writing the meditations a collection of personal writings by the roman emperor marcus aurelius have become one of the most important texts in the library of surviving stoic philosophy as a body of work that was never intended for publication being the private

*marcus aurelius meditations pdf google drive* - Feb 24 2022

web learn more signature pending sign