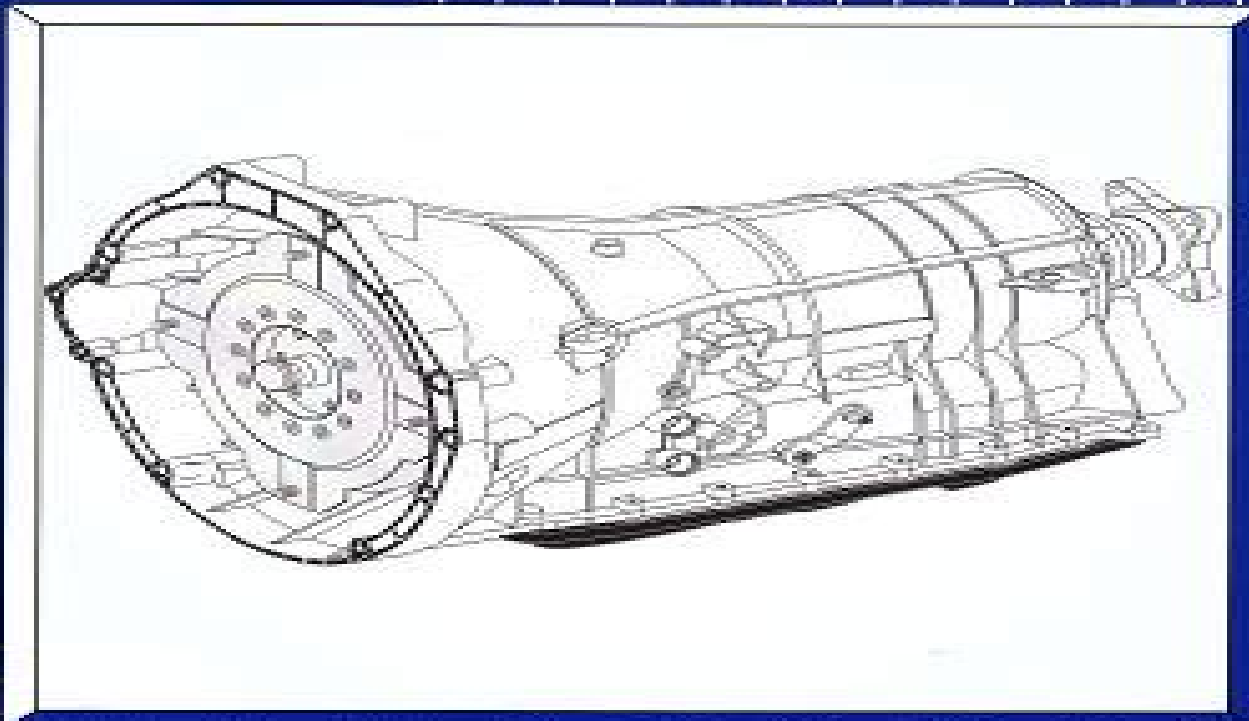


**FORD/LINCOLN/
MERCURY
TECHTRAN™ MANUAL**

6
R
6
0
1
V
5
1
0
0



AUTOMATIC TRANSMISSION SERVICE GROUP

Ford Automatic Transmission Rebuild Manual

Chilton Automotive Books



Ford Automatic Transmission Rebuild Manual:

Ford Automatic Transmission Rebuild Manual: Bestsellers in 2023 The year 2023 has witnessed a remarkable surge in literary brilliance, with numerous compelling novels enthralling the hearts of readers worldwide. Lets delve into the realm of top-selling books, exploring the engaging narratives that have captivated audiences this year. The Must-Read : Colleen Hoover "It Ends with Us" This poignant tale of love, loss, and resilience has captivated readers with its raw and emotional exploration of domestic abuse. Hoover masterfully weaves a story of hope and healing, reminding us that even in the darkest of times, the human spirit can prevail. Ford Automatic Transmission Rebuild Manual : Taylor Jenkins Reids "The Seven Husbands of Evelyn Hugo" This captivating historical fiction novel unravels the life of Evelyn Hugo, a Hollywood icon who defies expectations and societal norms to pursue her dreams. Reids compelling storytelling and compelling characters transport readers to a bygone era, immersing them in a world of glamour, ambition, and self-discovery. Ford Automatic Transmission Rebuild Manual : Delia Owens "Where the Crawdads Sing" This captivating coming-of-age story follows Kya Clark, a young woman who grows up alone in the marshes of North Carolina. Owens spins a tale of resilience, survival, and the transformative power of nature, entrancing readers with its evocative prose and mesmerizing setting. These popular novels represent just a fraction of the literary treasures that have emerged in 2023. Whether you seek tales of romance, adventure, or personal growth, the world of literature offers an abundance of compelling stories waiting to be discovered. The novel begins with Richard Papen, a bright but troubled young man, arriving at Hampden College. Richard is immediately drawn to the group of students who call themselves the Classics Club. The club is led by Henry Winter, a brilliant and charismatic young man. Henry is obsessed with Greek mythology and philosophy, and he quickly draws Richard into his world. The other members of the Classics Club are equally as fascinating. Bunny Corcoran is a wealthy and spoiled young man who is always looking for a good time. Charles Tavis is a quiet and reserved young man who is deeply in love with Henry. Camilla Macaulay is a beautiful and intelligent young woman who is drawn to the power and danger of the Classics Club. The students are all deeply in love with Morrow, and they are willing to do anything to please him. Morrow is a complex and mysterious figure, and he seems to be manipulating the students for his own purposes. As the students become more involved with Morrow, they begin to commit increasingly dangerous acts. The Secret History is a exceptional and suspenseful novel that will keep you guessing until the very end. The novel is a warning tale about the dangers of obsession and the power of evil.

https://staging.conocer.cide.edu/About/uploaded-files/default.aspx/Introductory_Econometrics_Wooldridge_Student_Solutions_Manual.pdf

Table of Contents Ford Automatic Transmission Rebuild Manual

1. Understanding the eBook Ford Automatic Transmission Rebuild Manual
 - The Rise of Digital Reading Ford Automatic Transmission Rebuild Manual
 - Advantages of eBooks Over Traditional Books
2. Identifying Ford Automatic Transmission Rebuild Manual
 - Exploring Different Genres
 - Considering Fiction vs. Non-Fiction
 - Determining Your Reading Goals
3. Choosing the Right eBook Platform
 - Popular eBook Platforms
 - Features to Look for in an Ford Automatic Transmission Rebuild Manual
 - User-Friendly Interface
4. Exploring eBook Recommendations from Ford Automatic Transmission Rebuild Manual
 - Personalized Recommendations
 - Ford Automatic Transmission Rebuild Manual User Reviews and Ratings
 - Ford Automatic Transmission Rebuild Manual and Bestseller Lists
5. Accessing Ford Automatic Transmission Rebuild Manual Free and Paid eBooks
 - Ford Automatic Transmission Rebuild Manual Public Domain eBooks
 - Ford Automatic Transmission Rebuild Manual eBook Subscription Services
 - Ford Automatic Transmission Rebuild Manual Budget-Friendly Options
6. Navigating Ford Automatic Transmission Rebuild Manual eBook Formats
 - ePub, PDF, MOBI, and More
 - Ford Automatic Transmission Rebuild Manual Compatibility with Devices
 - Ford Automatic Transmission Rebuild Manual Enhanced eBook Features
7. Enhancing Your Reading Experience
 - Adjustable Fonts and Text Sizes of Ford Automatic Transmission Rebuild Manual
 - Highlighting and Note-Taking Ford Automatic Transmission Rebuild Manual
 - Interactive Elements Ford Automatic Transmission Rebuild Manual

8. Staying Engaged with Ford Automatic Transmission Rebuild Manual
 - Joining Online Reading Communities
 - Participating in Virtual Book Clubs
 - Following Authors and Publishers Ford Automatic Transmission Rebuild Manual
9. Balancing eBooks and Physical Books Ford Automatic Transmission Rebuild Manual
 - Benefits of a Digital Library
 - Creating a Diverse Reading Collection Ford Automatic Transmission Rebuild Manual
10. Overcoming Reading Challenges
 - Dealing with Digital Eye Strain
 - Minimizing Distractions
 - Managing Screen Time
11. Cultivating a Reading Routine Ford Automatic Transmission Rebuild Manual
 - Setting Reading Goals Ford Automatic Transmission Rebuild Manual
 - Carving Out Dedicated Reading Time
12. Sourcing Reliable Information of Ford Automatic Transmission Rebuild Manual
 - Fact-Checking eBook Content of Ford Automatic Transmission Rebuild Manual
 - Distinguishing Credible Sources
13. Promoting Lifelong Learning
 - Utilizing eBooks for Skill Development
 - Exploring Educational eBooks
14. Embracing eBook Trends
 - Integration of Multimedia Elements
 - Interactive and Gamified eBooks

Ford Automatic Transmission Rebuild Manual Introduction

In the digital age, access to information has become easier than ever before. The ability to download Ford Automatic Transmission Rebuild Manual has revolutionized the way we consume written content. Whether you are a student looking for course material, an avid reader searching for your next favorite book, or a professional seeking research papers, the option to download Ford Automatic Transmission Rebuild Manual has opened up a world of possibilities. Downloading Ford Automatic Transmission Rebuild Manual provides numerous advantages over physical copies of books and documents.

Firstly, it is incredibly convenient. Gone are the days of carrying around heavy textbooks or bulky folders filled with papers. With the click of a button, you can gain immediate access to valuable resources on any device. This convenience allows for efficient studying, researching, and reading on the go. Moreover, the cost-effective nature of downloading Ford Automatic Transmission Rebuild Manual has democratized knowledge. Traditional books and academic journals can be expensive, making it difficult for individuals with limited financial resources to access information. By offering free PDF downloads, publishers and authors are enabling a wider audience to benefit from their work. This inclusivity promotes equal opportunities for learning and personal growth. There are numerous websites and platforms where individuals can download Ford Automatic Transmission Rebuild Manual. These websites range from academic databases offering research papers and journals to online libraries with an expansive collection of books from various genres. Many authors and publishers also upload their work to specific websites, granting readers access to their content without any charge. These platforms not only provide access to existing literature but also serve as an excellent platform for undiscovered authors to share their work with the world. However, it is essential to be cautious while downloading Ford Automatic Transmission Rebuild Manual. Some websites may offer pirated or illegally obtained copies of copyrighted material. Engaging in such activities not only violates copyright laws but also undermines the efforts of authors, publishers, and researchers. To ensure ethical downloading, it is advisable to utilize reputable websites that prioritize the legal distribution of content. When downloading Ford Automatic Transmission Rebuild Manual, users should also consider the potential security risks associated with online platforms. Malicious actors may exploit vulnerabilities in unprotected websites to distribute malware or steal personal information. To protect themselves, individuals should ensure their devices have reliable antivirus software installed and validate the legitimacy of the websites they are downloading from. In conclusion, the ability to download Ford Automatic Transmission Rebuild Manual has transformed the way we access information. With the convenience, cost-effectiveness, and accessibility it offers, free PDF downloads have become a popular choice for students, researchers, and book lovers worldwide. However, it is crucial to engage in ethical downloading practices and prioritize personal security when utilizing online platforms. By doing so, individuals can make the most of the vast array of free PDF resources available and embark on a journey of continuous learning and intellectual growth.

FAQs About Ford Automatic Transmission Rebuild Manual Books

What is a Ford Automatic Transmission Rebuild Manual PDF? A PDF (Portable Document Format) is a file format developed by Adobe that preserves the layout and formatting of a document, regardless of the software, hardware, or operating system used to view or print it. **How do I create a Ford Automatic Transmission Rebuild Manual PDF?** There

are several ways to create a PDF: Use software like Adobe Acrobat, Microsoft Word, or Google Docs, which often have built-in PDF creation tools. Print to PDF: Many applications and operating systems have a "Print to PDF" option that allows you to save a document as a PDF file instead of printing it on paper. Online converters: There are various online tools that can convert different file types to PDF. **How do I edit a Ford Automatic Transmission Rebuild Manual PDF?** Editing a PDF can be done with software like Adobe Acrobat, which allows direct editing of text, images, and other elements within the PDF. Some free tools, like PDFescape or Smallpdf, also offer basic editing capabilities. **How do I convert a Ford Automatic Transmission Rebuild Manual PDF to another file format?** There are multiple ways to convert a PDF to another format: Use online converters like Smallpdf, Zamzar, or Adobe Acrobats export feature to convert PDFs to formats like Word, Excel, JPEG, etc. Software like Adobe Acrobat, Microsoft Word, or other PDF editors may have options to export or save PDFs in different formats. **How do I password-protect a Ford Automatic Transmission Rebuild Manual PDF?** Most PDF editing software allows you to add password protection. In Adobe Acrobat, for instance, you can go to "File" -> "Properties" -> "Security" to set a password to restrict access or editing capabilities. Are there any free alternatives to Adobe Acrobat for working with PDFs? Yes, there are many free alternatives for working with PDFs, such as: LibreOffice: Offers PDF editing features. PDFsam: Allows splitting, merging, and editing PDFs. Foxit Reader: Provides basic PDF viewing and editing capabilities. How do I compress a PDF file? You can use online tools like Smallpdf, ILovePDF, or desktop software like Adobe Acrobat to compress PDF files without significant quality loss. Compression reduces the file size, making it easier to share and download. Can I fill out forms in a PDF file? Yes, most PDF viewers/editors like Adobe Acrobat, Preview (on Mac), or various online tools allow you to fill out forms in PDF files by selecting text fields and entering information. Are there any restrictions when working with PDFs? Some PDFs might have restrictions set by their creator, such as password protection, editing restrictions, or print restrictions. Breaking these restrictions might require specific software or tools, which may or may not be legal depending on the circumstances and local laws.

Find Ford Automatic Transmission Rebuild Manual :

[introductory econometrics wooldridge student solutions manual](#)

[inversor technical manual case 580](#)

[introductory paragraph research paper](#)

[introduction to microeconomics](#)

[inverse trig functions kuta](#)

[introduction to fluid mechanics fox solution manual](#)

[introduction to continuum mechanics lai 4th edition](#)

introduction to linear algebra strang 4th edition

introduction to genetics 9th edition solution manual

introduction to electrodynamics griffiths 4th edition solutions

inuyasha secret of the cursed mask guide

introduction to electric circuits herbert 9th edition

invacare repair manual

~~introduktion till kartografi och geografisk information~~

introduction to genetic principles solutions manual

Ford Automatic Transmission Rebuild Manual :

The Corset: A Cultural History by Valerie Steele The book concludes with insightful analyses of such recent developments as the reconception of the corset as a symbol of rebellion and female sexual empowerment ... The Corset: A Cultural History by Steele, Valerie The book concludes with insightful analyses of such recent developments as the reconception of the corset as a symbol of rebellion and female sexual empowerment ... The Corset: A Cultural History (2001) Valerie Steele, one of the world's most respected fashion historians, explores the cultural history of the corset, demolishing myths about this notorious ... The Corset: A Cultural History - Valerie Steele The book concludes with insightful analyses of such recent developments as the reconception of the corset as a symbol of rebellion and female sexual empowerment ... The Corset: A Cultural History - Valerie Steele The corset is probably the most controversial garment in the history of fashion. Although regarded as an essential element of fashionable dress from the ... The corset : a cultural history 1. Steel and Whalebone: Fashioning the Aristocratic Body 2. Art and Nature: Corset Controversies of the Nineteenth Century 3. Dressed to Kill: The Medical ... The corset : a cultural history : Steele, Valerie Mar 15, 2022 — The corset : a cultural history ; Publisher: New Haven : Yale University Press ; Collection: inlibrary; printdisabled; internetarchivebooks. The Corset: A Cultural History book by Valerie Steele The corset is probably the most controversial garment in the history of fashion. Although regarded as an essential element of fashionable dress from the ... 'The Corset: A Cultural History' by Valerie Steele Dec 1, 2001 — The corset is probably the most controversial garment in the entire history of fashion. Worn by women throughout the western world from the late ... A Cultural History</i> by Valerie Steele by L Sorge · 2002 — Valerie Steele's book is a welcome addition to a subject of dress history about which far too little has been written. Lavishly illustrated and written. British Labour Statistics: Historical Abstract 1886-1968 by G Routh · 1972 — Royal Statistical Society. Journal. Series A: General, Volume 135, Issue 1, January 1972, Pages 159-161, <https://doi.org/10.2307/2345059>. British labour statistics historical abstract 1886-1968 Our collections information. We have over a million object records online, and we are adding to this all the time.

Our records are never finished. Sometimes we ... British labour statistics : historical abstract 1886-1968. Publisher: Her Majesty's Stationery Office, London, 1971. Genre: Statistics. Physical Description: 436 pages ; 31 cm. ISBN: 9780113608027, 0113608020. British Labour Statistics: Historical Abstract 1886-1968 British Labour Statistics: Historical Abstract 1886-1968 · From inside the book · Common terms and phrases · Bibliographic information ... British Labour Statistics: Historical Abstract 1886-1968 by G Routh · 1972 — British Labour Statistics: Historical Abstract 1886-1968. By the Department of Employment. London, H.M.S.a., 1971. 463 p. 12". £7. This splendid anthology ... Population, employment and unemployment - ESCoE The datasets are supplemented by publications such as the British Labour Statistics Historical Abstract which covers the period 1886-1968 and the monthly ... British labour statistics: historical abstract 1886-1968 British labour statistics: historical abstract 1886-1968 ; Published status: Published ; Publication date: 1971 ; Collect From: Main Reading Room ; Call Number: YYq ... British labour statistics: historical abstract, 1886-1968. British labour statistics: historical abstract, 1886-1968. Available at University Library Level 6 - Mobile Shelving - Sequence 1 (331.0942 BRI). British labour statistics: historical abstracts, 1886-1968 Title, British labour statistics: historical abstracts, 1886-1968. Author, Great Britain. Department of Employment. Publisher, H.M. Stationery Office, 1982. British labour statistics: Historical abstract 1886-1968 British labour statistics: Historical abstract 1886-1968 ; Print length. 436 pages ; Language. English ; Publisher. H.M. Stationery Off ; Publication date. January ... What is an IBM IPAT Test - Key Facts An IPAT Test (Information Processing Aptitude Test) is designed to assess an individual's ability to reason numerically with information under time pressure ... IBM Cognitive Ability (IPAT) Tests: Free Practice Questions Applying to IBM? Prepare for the 2023 IBM cognitive ability assessment (IPAT) with 19 practice tests and 245 questions & answers, written by experts. IBM IPAT Test - Aptitude Test Preparation Learn more about IBM IPAT Practice with a sample aptitude test, detailed answer explanations, and score reports. Prepare today and ensure success. What kinds of questions should I expect on the IBM IPAT? Oct 12, 2016 — The Information Processing Aptitude test, as I recall, has simple mathematics (no calculus) and logic questions. Applicants don't have to be a superstar on the ... IBM IPAT | AssessmentDay Sep 28, 2022 — The IPAT test will be assessing your speed and accuracy. The answers are multiple choice and you should try to work quickly within the time ... Free IBM IPAT Practice Test Questions - 2023 Learn about IBM's Information Processing Aptitude Test (IPAT) with free practice questions. IBM IPAT / Cognitive Ability Test (2022): A Guide - YouTube IBM Assessment Test: Free Practice Questions [2023] The IPAT is a notoriously difficult numerical reasoning and numerical series test that covers topics including measurement and weight conversions, understanding ... Why is IBM's IPAT so difficult? Does anyone have practice ... Structure of exam : Two sections - Numeric Series and Math problems. 18 questions in each section. About 2 mins 15 secs per question. Number Series Practice: Sample Questions, Tips & Strategies Master your number series skills with practice questions & solving tips. Great for candidates taking cognitive ability tests (Wonderlic, PLI, CCAT, ...