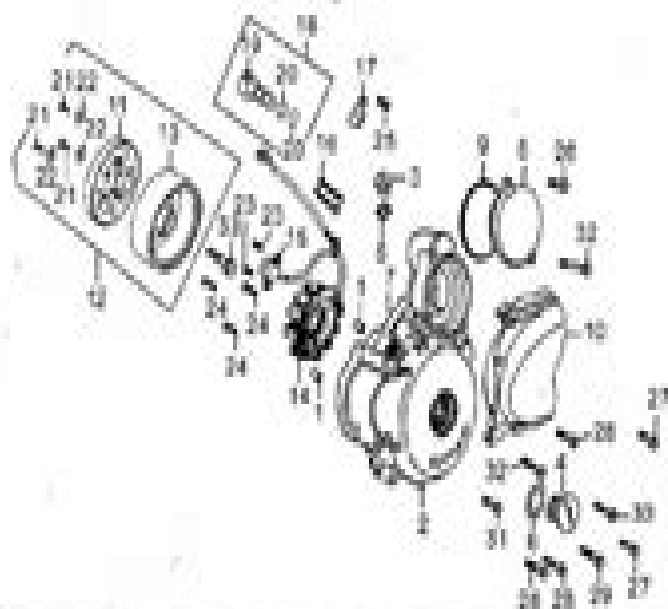


E-8 左曲轴箱盖、磁电机 Left Crankcase Cover & Magneto



序号 Ref.No.	零部件代号 Part No.	零部件名称	Description	数量 Quantity	备注 Remark
1	11318/156002-2	定位销 (Φ1×14)	Locat Pin (Φ1×14)	2	
2	11411	左曲轴箱盖	Left Crankcase Cover	1	
3	11412	反冲孔螺塞	Plug Hatch Hole	1	
4	11413	螺塞	Plug	1	
5	11414	反冲孔螺塞 O 形圈 (Φ13.8×Φ2.0)	O-Ring (Φ13.8×Φ2.0)	1	
6	11415	螺塞 O 形圈 (Φ27.5×Φ2.0)	O-Ring (Φ27.5×Φ2.0)	1	
7	11419	左曲轴箱盖密封垫	Gasket, Left Crankcase Cover	1	
8	11421	过轴盖	Idler Cover	1	
9	11422	O 形圈 (Φ45×Φ2)	O-Ring (Φ45×Φ2)	1	
10	11451	轴承盖	Bear Left Cover	1	
11	20310	启动离合摩擦副组合	Starting Clutch Assy	1	
12	31002	转子带启动离合摩擦副组合	Rotor With Starting Clutch	1	
13	31110	磁电机转子组合	Rotor Magneto	1	
14	31210	磁电机定子组合	Stator Assy, Magneto	1	
15	31290	感应线圈	Induced Coil	1	

Lifan Service Manual 125t 19

RC Schank



Lifan Service Manual 125t 19:

Workshop manual F.lli Benelli, **Motorcycle Service Manual** ,1972 **Chinese 125 Motorcycles Service and Repair Manual** Matthew Coombs,2010 No further information has been provided for this title *Motor Repair Manual ... Fourth Edition [of "Motor Repair Work"], Etc* MOTOR REPAIR MANUAL.,1925 Motorcycle Service Manual Intertec Publishing Corporation. Technical Publications Division,1972 *Repair Manual* Ford Motor Company. Service Department,1947 **Motor Repair Manual ... Fifth Edition [of "Motor Repair Work"], Etc** MOTOR REPAIR MANUAL.,1930 *Motorcycle Service Manual* ,1975 **Motorcycle Service Manual: Two-stroke models.-v.2. Four-stroke models** ,1972

Delve into the emotional tapestry woven by Crafted by in **Lifan Service Manual 125t 19** . This ebook, available for download in a PDF format (Download in PDF: *), is more than just words on a page; it's a journey of connection and profound emotion. Immerse yourself in narratives that tug at your heartstrings. Download now to experience the pulse of each page and let your emotions run wild.

<https://staging.conocer.cide.edu/book/virtual-library/default.aspx/espaces%202nd%20edition%20supersite.pdf>

Table of Contents Lifan Service Manual 125t 19

1. Understanding the eBook Lifan Service Manual 125t 19
 - The Rise of Digital Reading Lifan Service Manual 125t 19
 - Advantages of eBooks Over Traditional Books
2. Identifying Lifan Service Manual 125t 19
 - Exploring Different Genres
 - Considering Fiction vs. Non-Fiction
 - Determining Your Reading Goals
3. Choosing the Right eBook Platform
 - Popular eBook Platforms
 - Features to Look for in an Lifan Service Manual 125t 19
 - User-Friendly Interface
4. Exploring eBook Recommendations from Lifan Service Manual 125t 19
 - Personalized Recommendations
 - Lifan Service Manual 125t 19 User Reviews and Ratings
 - Lifan Service Manual 125t 19 and Bestseller Lists
5. Accessing Lifan Service Manual 125t 19 Free and Paid eBooks
 - Lifan Service Manual 125t 19 Public Domain eBooks
 - Lifan Service Manual 125t 19 eBook Subscription Services
 - Lifan Service Manual 125t 19 Budget-Friendly Options

6. Navigating Lifan Service Manual 125t 19 eBook Formats
 - ePub, PDF, MOBI, and More
 - Lifan Service Manual 125t 19 Compatibility with Devices
 - Lifan Service Manual 125t 19 Enhanced eBook Features
7. Enhancing Your Reading Experience
 - Adjustable Fonts and Text Sizes of Lifan Service Manual 125t 19
 - Highlighting and Note-Taking Lifan Service Manual 125t 19
 - Interactive Elements Lifan Service Manual 125t 19
8. Staying Engaged with Lifan Service Manual 125t 19
 - Joining Online Reading Communities
 - Participating in Virtual Book Clubs
 - Following Authors and Publishers Lifan Service Manual 125t 19
9. Balancing eBooks and Physical Books Lifan Service Manual 125t 19
 - Benefits of a Digital Library
 - Creating a Diverse Reading Collection Lifan Service Manual 125t 19
10. Overcoming Reading Challenges
 - Dealing with Digital Eye Strain
 - Minimizing Distractions
 - Managing Screen Time
11. Cultivating a Reading Routine Lifan Service Manual 125t 19
 - Setting Reading Goals Lifan Service Manual 125t 19
 - Carving Out Dedicated Reading Time
12. Sourcing Reliable Information of Lifan Service Manual 125t 19
 - Fact-Checking eBook Content of Lifan Service Manual 125t 19
 - Distinguishing Credible Sources
13. Promoting Lifelong Learning
 - Utilizing eBooks for Skill Development
 - Exploring Educational eBooks
14. Embracing eBook Trends
 - Integration of Multimedia Elements

- Interactive and Gamified eBooks

Lifan Service Manual 125t 19 Introduction

Lifan Service Manual 125t 19 Offers over 60,000 free eBooks, including many classics that are in the public domain. Open Library: Provides access to over 1 million free eBooks, including classic literature and contemporary works. Lifan Service Manual 125t 19 Offers a vast collection of books, some of which are available for free as PDF downloads, particularly older books in the public domain. Lifan Service Manual 125t 19 : This website hosts a vast collection of scientific articles, books, and textbooks. While it operates in a legal gray area due to copyright issues, its a popular resource for finding various publications. Internet Archive for Lifan Service Manual 125t 19 : Has an extensive collection of digital content, including books, articles, videos, and more. It has a massive library of free downloadable books. Free-eBooks Lifan Service Manual 125t 19 Offers a diverse range of free eBooks across various genres. Lifan Service Manual 125t 19 Focuses mainly on educational books, textbooks, and business books. It offers free PDF downloads for educational purposes. Lifan Service Manual 125t 19 Provides a large selection of free eBooks in different genres, which are available for download in various formats, including PDF. Finding specific Lifan Service Manual 125t 19, especially related to Lifan Service Manual 125t 19, might be challenging as theyre often artistic creations rather than practical blueprints. However, you can explore the following steps to search for or create your own Online Searches: Look for websites, forums, or blogs dedicated to Lifan Service Manual 125t 19, Sometimes enthusiasts share their designs or concepts in PDF format. Books and Magazines Some Lifan Service Manual 125t 19 books or magazines might include. Look for these in online stores or libraries. Remember that while Lifan Service Manual 125t 19, sharing copyrighted material without permission is not legal. Always ensure youre either creating your own or obtaining them from legitimate sources that allow sharing and downloading. Library Check if your local library offers eBook lending services. Many libraries have digital catalogs where you can borrow Lifan Service Manual 125t 19 eBooks for free, including popular titles. Online Retailers: Websites like Amazon, Google Books, or Apple Books often sell eBooks. Sometimes, authors or publishers offer promotions or free periods for certain books. Authors Website Occasionally, authors provide excerpts or short stories for free on their websites. While this might not be the Lifan Service Manual 125t 19 full book , it can give you a taste of the authors writing style. Subscription Services Platforms like Kindle Unlimited or Scribd offer subscription-based access to a wide range of Lifan Service Manual 125t 19 eBooks, including some popular titles.

FAQs About Lifan Service Manual 125t 19 Books

1. Where can I buy Lifan Service Manual 125t 19 books? Bookstores: Physical bookstores like Barnes & Noble, Waterstones, and independent local stores. Online Retailers: Amazon, Book Depository, and various online bookstores offer a wide range of books in physical and digital formats.
2. What are the different book formats available? Hardcover: Sturdy and durable, usually more expensive. Paperback: Cheaper, lighter, and more portable than hardcovers. E-books: Digital books available for e-readers like Kindle or software like Apple Books, Kindle, and Google Play Books.
3. How do I choose a Lifan Service Manual 125t 19 book to read? Genres: Consider the genre you enjoy (fiction, non-fiction, mystery, sci-fi, etc.). Recommendations: Ask friends, join book clubs, or explore online reviews and recommendations. Author: If you like a particular author, you might enjoy more of their work.
4. How do I take care of Lifan Service Manual 125t 19 books? Storage: Keep them away from direct sunlight and in a dry environment. Handling: Avoid folding pages, use bookmarks, and handle them with clean hands. Cleaning: Gently dust the covers and pages occasionally.
5. Can I borrow books without buying them? Public Libraries: Local libraries offer a wide range of books for borrowing. Book Swaps: Community book exchanges or online platforms where people exchange books.
6. How can I track my reading progress or manage my book collection? Book Tracking Apps: Goodreads, LibraryThing, and Book Catalogue are popular apps for tracking your reading progress and managing book collections. Spreadsheets: You can create your own spreadsheet to track books read, ratings, and other details.
7. What are Lifan Service Manual 125t 19 audiobooks, and where can I find them? Audiobooks: Audio recordings of books, perfect for listening while commuting or multitasking. Platforms: Audible, LibriVox, and Google Play Books offer a wide selection of audiobooks.
8. How do I support authors or the book industry? Buy Books: Purchase books from authors or independent bookstores. Reviews: Leave reviews on platforms like Goodreads or Amazon. Promotion: Share your favorite books on social media or recommend them to friends.
9. Are there book clubs or reading communities I can join? Local Clubs: Check for local book clubs in libraries or community centers. Online Communities: Platforms like Goodreads have virtual book clubs and discussion groups.
10. Can I read Lifan Service Manual 125t 19 books for free? Public Domain Books: Many classic books are available for free as they're in the public domain. Free E-books: Some websites offer free e-books legally, like Project Gutenberg or Open Library.

Find Lifan Service Manual 125t 19 :

espaces 2nd edition supersite

[epson workforce 30 printer manual](#)

[epson stylus pro 7600 and 9600 printhead replacement guide](#)

[essay question of ocular anatomy](#)

epson v550 manual

[essay question on poem an abandoned bundle](#)

[es-3000 manual compressor](#)

equilibrium unit webquest and notes

[escucha mi voz](#)

[epson sx 420w series manual](#)

[epubbud marie lu prodigy](#)

[epson workforce 600 printer manual](#)

[eslbee subject verb agreement answer](#)

er diagram for student information management system

esperanto hearings before the committee on education

Lifan Service Manual 125t 19 :

[10 easy yoga asanas for beginners art of living](#) - May 25 2022

web yoga nidra yogic sleep baddha konasana butterfly pose konasana angle pose 1 seated forward bend paschimottanasana

stretches the lower back massages the abdominal and pelvic organs and also tones the shoulders 2 warrior pose

veerbhadrasana improves balance in the body augments stamina and releases stress

[yoga poses asana list with images yogic way of life](#) - Jul 27 2022

web yoga poses or asanas are yogic postures the list of asanas or yoga poses is given here yoga poses can be learned by

clicking the asana or pose image

[50 different yoga asanas that every beginner should know](#) - Feb 19 2022

web sep 1 2023 first you need to find out the list of stretching yoga asanas in yoga and their benefits we have listed some of

the best yoga exercises and positions with pictures that will help you perform them efficiently

[yoga poses and asanas beginner to advanced yoga journal](#) - Sep 09 2023

web browse our extensive asana library with a vast collection of yoga poses from beginner to advanced including seated and standing poses twists poses for specific health benefits bandha techniques and more the pose library poses by type yoga poses by benefit yoga poses by anatomy

yogasanas all about the 84 types of asanas and beyond - Aug 08 2023

web what is an asana sadhguru an asana is a posture there are innumerable postures your body can take among these certain postures have been identified as yoga asanas or yogasanas yoga means that which takes you on to a higher dimension or higher perception of life

1 000 free yoga poses yoga images pixabay - Apr 04 2023

web 12 find images of yoga poses royalty free no attribution required high quality images

yoga poses for all standing sitting and lying down asanas - Apr 23 2022

web this ancient practice of holistic well being offers numerous types of yoga poses or asanas when it comes to yoga for beginners and can be included in your daily practice 4 sets of basic yoga poses for beginners if you re a beginner and looking to indulge in yoga then some of the following asanas are the perfect way to start your mornings

the 18 best yoga poses for beginners yoga basics - Aug 28 2022

web jan 14 2020 we reached out to eleven yoga experts to get their recommendations for the most essential yoga poses that beginners should start with learning we also asked them for their tips and advice on how beginners should approach these asanas and how to modify the poses to make them approachable for newbies

4 000 best yoga images free hd stock photos pixabay - Mar 03 2023

web 4 000 beautiful yoga images meditation photos download royalty free yoga asanas pictures in hd to 4k quality as wallpapers backgrounds more royalty free images adult content safesearch adult content safesearch adult content safesearch next page 43 meditation woman fitness nature relaxation health wellness pose

101 popular yoga poses for beginners intermediate and yoga - Oct 18 2021

web here s the ultimate yoga pose directory featuring 101 popular yoga poses asanas for beginners intermediate and advanced yogis includes photos benefits and step by step instructions we kick off our collection of yoga poses with a full blown yoga pose chart

list of asanas wikipedia - Jun 25 2022

web the term is derived from the sanskrit word for seat while many of the oldest mentioned asanas are indeed seated postures for meditation asanas may be standing seated arm balances twists inversions forward bends backbends or

31 yoga poses for beginners verywell fit - Oct 30 2022

web may 31 2023 beginners beginning yoga guide 31 yoga poses for beginners start your practice with these basic poses by

ann pizer ryt updated on may 31 2023 reviewed by sara clark as a new yoga student you might feel overwhelmed by the number of poses and their odd sounding names but yoga doesn t have to be complicated

[yoga asana photos and premium high res pictures getty images](#) - Jun 06 2023

web browse 243 441 yoga asana photos and images available or search for woman yoga asana to find more great photos and pictures 100 browse getty images premium collection of high quality authentic yoga asana stock photos royalty free images and pictures

[types of yoga asanas with pictures ayur bethaniya](#) - Jan 21 2022

web padahastasana pada means foot hasta means hand so the exact english translation is the foot hand pose this asana widely called as the forward bending posture ustrasana the final position of this posture looks like camel so its called camel posture or ustrasana marjarasana

4 yoga asanas to improve lung health in winters hindustan times - Dec 20 2021

web nov 7 2023 photo credits unsplash 4 yoga asanas to improve lung health in winters the cold weather of the winter season can lead to cough and chest congestion it is essential to maintain your fitness

84 most popular yoga poses asanas with pictures - Oct 10 2023

web mar 2 2021 on this page different types of asanas in yoga with names and pictures and their benefits are given these yoga asanas do everything from fighting stress anxiety and depression to keeping the heart and stomach healthy some yoga asanas reduce inflammation in the body while a few can relieve migraines

101 popular yoga poses for beginners intermediate and yoga - Nov 30 2022

web yogabaron com yoga poses here s the ultimate yoga pose directory featuring 101 popular yoga poses asanas for beginners intermediate and advanced yogis includes photos benefits and step by step instructions we kick off our collection of yoga poses with a full blown yoga pose chart 1 117

[yoga poses asanas by category action yoga basics](#) - May 05 2023

web standing poses energetic effect uplifting opening physical effect builds strength in leg muscles and improves stability and balance in the lower body supine poses energetic effect nurturing integrating physical effect improves flexibility in the hips hamstrings and lower back prone poses energetic effect warming calming

[yoga poses yoga asanas yoga postures yoga exercise](#) - Sep 28 2022

web triveni ashram pune guwahati assam mysore ashram elyments our social media app art of living shop 91 80 67612360 quick links mahashivratri navratri coronavirus about us about us the art of living programs social projects events in the press research our founder

diwali 2023 date puja timings significance and foods to offer - Nov 18 2021

web nov 7 2023 as per drikpanchang following are the details of puja timing and muhurat diwali sunday november 12 2023
vrishabha lagna muhurat 05 39 pm to 07 35 pm duration 01 hour 56 mins simha lagna

yoga asana photos download the best free yoga asana - Jan 01 2023

web download and use 10 000 yoga asana stock photos for free thousands of new images every day completely free to use
high quality videos and images from pexels

asanas photos and premium high res pictures getty images - Feb 02 2023

web browse 34 012 asanas photos and images available or search for yoga asanas to find more great photos and pictures
browse getty images premium collection of high quality authentic asanas stock photos royalty free images and pictures
asanas stock photos are available in a variety of sizes and formats to fit your needs

84 yoga asanas list with pictures and names popular yoga - Mar 23 2022

web sep 22 2023 the 84 yoga asanas also known as the hatha yoga asanas comprise a diverse array of postures that
harmonize the body mind and spirit these ancient poses are an integral part of yoga practice each designed

yoga poses a z search yoga journal s extensive pose library - Jul 07 2023

web want to expand your knowledge of yoga asana become a member to access our exclusive pose library complete with
video tutorials variations detailed anatomy illustrations and more to take you beyond the basics and dive deeper into your
practice

learning outdoors with the meek family by tim meek used - Mar 26 2023

web buy learning outdoors with the meek family by tim meek available in used condition with free delivery in the uk isbn
9780711236950 isbn 10 071123695x

learning outdoors with the meek family amazon co uk - Jul 30 2023

web education does not always need to take place behind a desk in a classroom or with a teacher family time is just as
important as school time and these 52 ed ventures provide parents with a fantastic bank of ideas to support and

learning outdoors with the meek family mail lafamigliawv - Feb 10 2022

web the third book from the meek family 50 evening adventures encourages families to make the most of their 5 to 9 those
evening hours after school and after work here are simple and exciting ideas for spending time together out of doors during
the working week

learning outdoors with the meek family pdf epub download - Aug 31 2023

web learning outdoors with the meek family book in pdf epub and kindle version is available to download in english read
online anytime anywhere directly from your device click on the download button below to get a free pdf file of learning
outdoors with the meek family book

learning outdoors with the meek family tom howey - Oct 21 2022

web illustrations for children s book learning outdoors with the meek family published 2015 by frances lincoln

learning outdoors with the meek family by tim meek is - Jul 18 2022

web back to learning outdoors with the meek family find a digital library with learning outdoors with the meek family near you search by city zip code or library name search learn more about precise location detection showing public libraries k 12 schools library name distance show all our apps libby sora kanopy

learning outdoors with the meek family 52 family ed - May 16 2022

web learning outdoors with the meek family 52 family ed ventures the meek family the blakesley miniature railway and the bartholomew family railway heritage dr

learning outdoors with the meek family apple books - Feb 22 2023

web aug 27 2015 whether you re visiting a wind farm or stepping on to a train visiting an historical building or looking at a sculpture in your local park learning outdoors provides all the educational stimulation you and your children

learning outdoors with the meek family overdrive - Jan 24 2023

web aug 27 2015 learning outdoors with the meek family ebook by tim meek read a sample format ebook isbn 9780711236950 author tim meek publisher frances lincoln release 27 august 2015 subjects history reference science nonfiction find this title in libby the library reading app by overdrive search for a digital library with this title

learning outdoors with the meek family open library - Apr 26 2023

web learning outdoors with the meek family by meek family 2015 frances lincoln limited edition in english first frances lincoln limited edition

our best ever family decision quitting school and jobs and - Jun 16 2022

web jan 30 2016 the meek family swapped mortgage work and school for a year of adventures around the uk their home a caravan their classroom the great outdoors

learning outdoors with the meek family kerry meek - Nov 21 2022

web whether you re visiting a wind farm or stepping on to a train visiting an historical building or looking at a sculpture in your local park learning outdoors provides all the educational stimulation you and your children need for some great ed ventures in the open air author meek tim author meek kerry publisher frances lincoln

learning outdoors with the meek family kindle edition - Aug 19 2022

web aug 27 2015 learning outdoors with the meek family kindle edition by meek tim meek kerry download it once and read it on your kindle device pc phones or tablets use features like bookmarks note taking and highlighting while reading learning outdoors with the meek family

learning outdoors with the meek family google books - May 28 2023

web within each activity there is plenty of scope to help your children develop enquiring minds including ideas on what to do before you get there while you re there and when you get back plus

learning outdoors with the meek family google books - Jun 28 2023

web within each activity there is plenty of scope to help your children develop enquiring minds including ideas on what to do before you get there while you re there and when you get back plus tips

learning outdoors with the meek family by meek tim meek - Mar 14 2022

web learning outdoors with the meek family by meek tim meek kerry in used like 8 88 for sale learning outdoors with the meek family isbn 9780711236950 title 123680374518

learning outdoors with the meek family bookmate - Apr 14 2022

web read learning outdoors with the meek family by kerry meek tim meek online on bookmate education does not always need to take place behind a desk in a classroom or with a teacher read in our apps ios android kerry meek tim meek learning outdoors with the meek family notify me when the book s added impression add to

learning outdoors with the meek family paperback tim meek - Sep 19 2022

web aug 16 2023 find many great new used options and get the best deals for learning outdoors with the meek family paperback tim meek kerry at the best online prices at ebay free delivery for many products

[learning outdoors with the meek family softcover abebooks](#) - Dec 23 2022

web learning outdoors with the meek family by meek tim meek kerry isbn 10 071123695x isbn 13 9780711236950 frances lincoln 2015 softcover

learning outdoors with the meek family meek family meek - Oct 01 2023

web 52 family ed ventures cover tim kerry amy and ella meek spine buildings to see places to go travel and transport by the water country life culture and entertainment

amazon com customer reviews the essential supernatural - Jan 01 2022

web essential supernatural revised and updated edition on the road with sam and dean winchester knight nicholas amazon es libros

the essential supernatural revised and updated edition on - Oct 30 2021

web list of supernatural episodes supernatural is an american supernatural drama television series created by eric kripke that follows brothers sam jared padalecki

pdf the essential supernatural revised and updated edition - May 17 2023

web find many great new used options and get the best deals for the essential supernatural revised and updated edition on

the road with sam and dean winchester by

the essential supernatural revised and updated edition on - Oct 10 2022

web the essential supernatural revised and updated edition on the road with sam and dean winchester knight nicholas kripke
eric amazon com au books

essential supernatural revised and updated edition booktopia - Jun 06 2022

web oct 28 2014 booktopia has essential supernatural revised and updated edition on the road with sam and dean
winchester by nicholas knight buy a discounted

pdf epub the essential supernatural revised and - Jul 07 2022

web oct 28 2014 booktopia has essential supernatural revised and updated edition on the road with sam and dean
winchester by nicholas knight buy a discounted

the essential supernatural revised and updated edition on - Aug 08 2022

web feb 12 2020 pdf download the essential supernatural revised and updated edition on the road with sam and dean
winchester ebook read online link

the essential supernatural revised and updated edition - Feb 14 2023

web product information go back on the road with sam and dean winchester in this revised and updated edition of the best
selling the essential supernatural

supernatural izle - Nov 11 2022

web go back on the road with sam and dean winchester in this revised and updated edition of the best selling the essential
supernatural filled with interviews with the cast and

the essential supernatural revised and updated - Aug 20 2023

web oct 28 2014 go back on the road with sam and dean winchester in this revised and updated edition of the best selling
the essential supernatural filled with interviews

the essential supernatural revised and updated edition on - Mar 03 2022

web oct 28 2014 go back on the road with sam and dean winchester in this revised and updated edition of the best selling
the essential supernatural filled with interviews

list of supernatural episodes wikipedia - Sep 28 2021

the essential supernatural revised and updated edition on - Jan 13 2023

web filled with interviews with the cast and crew of the hit show stunning behind the scenes imagery and art and a wealth of
thrilling removable items this updated version includes

the essential supernatural revised and updated edition on - Feb 02 2022

web find helpful customer reviews and review ratings for the essential supernatural revised and updated edition on the road with sam and dean winchester at amazon com

the essential supernatural revised and updated - Jul 19 2023

web oct 28 2014 the essential supernatural revised and updated edition nicholas knight insight editions oct 28 2014 performing arts 232 pages go back on the

the essential supernatural revised and updated edition on - Apr 16 2023

web editions for the essential supernatural revised and updated edition on the road with sam and dean winchester 1608875024 hardcover published in 2014

editions of the essential supernatural revised and updated - Mar 15 2023

web the essential supernatural revised and updated edition by nicholas knight go back on the road with sam and dean winchester in this revised and updated ed the

essential supernatural revised and updated - Nov 30 2021

web the essential supernatural revised and updated edition on the road with sam and dean winchester by nicholas knight eric kripke filter results shipping eligible for free

the essential supernatural revised and updated edition on - Dec 12 2022

web supernatural tüm bölümlerini 1080p kalitesinde reklamsız ve ücretsiz izle supernatural türkçe dublaj izle

supernatural the essential book by nicholas knight - Apr 04 2022

web oct 28 2014 the essential supernatural revised and updated edition on the road with sam and dean winchester author nicholas knight eric kripke foreword format

the essential supernatural revised and updated edition - Jun 18 2023

web it came quick and very good condition about this product product information go back on the road with sam and dean winchester in this revised and updated edition of the best

essential supernatural revised and updated edition booktopia - May 05 2022

web by nicholas knight no customer reviews go back on the road with sam and dean winchester in this revised and updated edition of the best selling the essential

the essential supernatural revised and updated edition on - Sep 09 2022

web the essential supernatural revised and updated edition on the road with sam and dean winchester hardcover 28 october 2014 nicholas knight author eric kripke 4 9