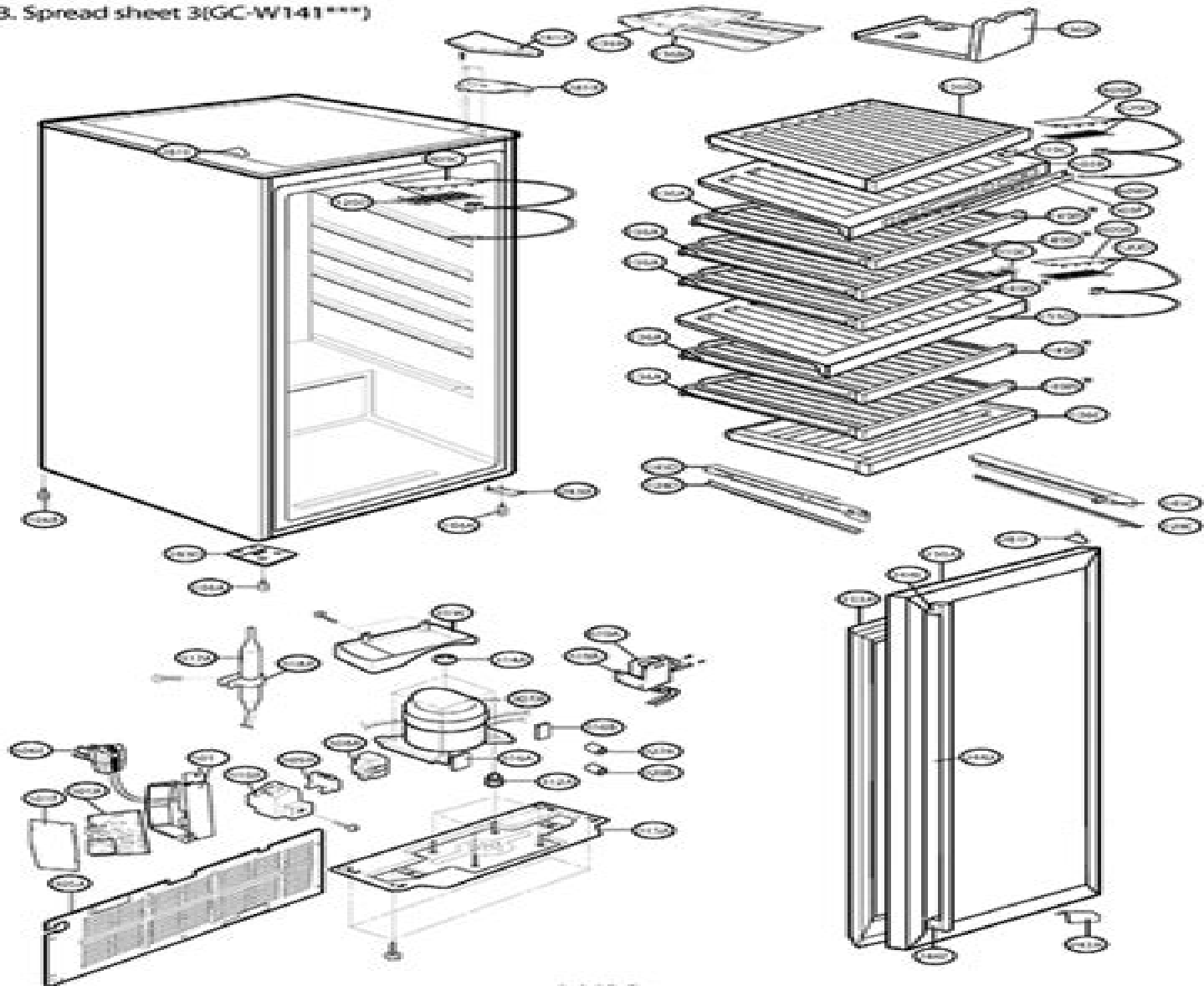


11-3. Spread sheet 3(GC-W141***)



Lg Wine Cellar Lrv810tt Service Manual

**Gibson Electric Refrigerator
Corporation**



Lg Wine Cellar Lrv810tt Service Manual:

Lg Wine Cellar Lrv810tt Service Manual Book Review: Unveiling the Power of Words

In a global driven by information and connectivity, the ability of words has be evident than ever. They have the capacity to inspire, provoke, and ignite change. Such could be the essence of the book **Lg Wine Cellar Lrv810tt Service Manual**, a literary masterpiece that delves deep in to the significance of words and their affect our lives. Compiled by a renowned author, this captivating work takes readers on a transformative journey, unraveling the secrets and potential behind every word. In this review, we will explore the book is key themes, examine its writing style, and analyze its overall affect readers.

<https://staging.conocer.cide.edu/public/uploaded-files/HomePages/Magic%20Tree%20House%20Research%20Guide%20Book%20List.pdf>

Table of Contents Lg Wine Cellar Lrv810tt Service Manual

1. Understanding the eBook Lg Wine Cellar Lrv810tt Service Manual
 - The Rise of Digital Reading Lg Wine Cellar Lrv810tt Service Manual
 - Advantages of eBooks Over Traditional Books
2. Identifying Lg Wine Cellar Lrv810tt Service Manual
 - Exploring Different Genres
 - Considering Fiction vs. Non-Fiction
 - Determining Your Reading Goals
3. Choosing the Right eBook Platform
 - Popular eBook Platforms
 - Features to Look for in an Lg Wine Cellar Lrv810tt Service Manual
 - User-Friendly Interface
4. Exploring eBook Recommendations from Lg Wine Cellar Lrv810tt Service Manual
 - Personalized Recommendations
 - Lg Wine Cellar Lrv810tt Service Manual User Reviews and Ratings
 - Lg Wine Cellar Lrv810tt Service Manual and Bestseller Lists

5. Accessing Lg Wine Cellar Lrv810tt Service Manual Free and Paid eBooks
 - Lg Wine Cellar Lrv810tt Service Manual Public Domain eBooks
 - Lg Wine Cellar Lrv810tt Service Manual eBook Subscription Services
 - Lg Wine Cellar Lrv810tt Service Manual Budget-Friendly Options
6. Navigating Lg Wine Cellar Lrv810tt Service Manual eBook Formats
 - ePub, PDF, MOBI, and More
 - Lg Wine Cellar Lrv810tt Service Manual Compatibility with Devices
 - Lg Wine Cellar Lrv810tt Service Manual Enhanced eBook Features
7. Enhancing Your Reading Experience
 - Adjustable Fonts and Text Sizes of Lg Wine Cellar Lrv810tt Service Manual
 - Highlighting and Note-Taking Lg Wine Cellar Lrv810tt Service Manual
 - Interactive Elements Lg Wine Cellar Lrv810tt Service Manual
8. Staying Engaged with Lg Wine Cellar Lrv810tt Service Manual
 - Joining Online Reading Communities
 - Participating in Virtual Book Clubs
 - Following Authors and Publishers Lg Wine Cellar Lrv810tt Service Manual
9. Balancing eBooks and Physical Books Lg Wine Cellar Lrv810tt Service Manual
 - Benefits of a Digital Library
 - Creating a Diverse Reading Collection Lg Wine Cellar Lrv810tt Service Manual
10. Overcoming Reading Challenges
 - Dealing with Digital Eye Strain
 - Minimizing Distractions
 - Managing Screen Time
11. Cultivating a Reading Routine Lg Wine Cellar Lrv810tt Service Manual
 - Setting Reading Goals Lg Wine Cellar Lrv810tt Service Manual
 - Carving Out Dedicated Reading Time
12. Sourcing Reliable Information of Lg Wine Cellar Lrv810tt Service Manual
 - Fact-Checking eBook Content of Lg Wine Cellar Lrv810tt Service Manual
 - Distinguishing Credible Sources
13. Promoting Lifelong Learning

- Utilizing eBooks for Skill Development
 - Exploring Educational eBooks
14. Embracing eBook Trends
- Integration of Multimedia Elements
 - Interactive and Gamified eBooks

Lg Wine Cellar Lrv810tt Service Manual Introduction

Free PDF Books and Manuals for Download: Unlocking Knowledge at Your Fingertips In today's fast-paced digital age, obtaining valuable knowledge has become easier than ever. Thanks to the internet, a vast array of books and manuals are now available for free download in PDF format. Whether you are a student, professional, or simply an avid reader, this treasure trove of downloadable resources offers a wealth of information, conveniently accessible anytime, anywhere. The advent of online libraries and platforms dedicated to sharing knowledge has revolutionized the way we consume information. No longer confined to physical libraries or bookstores, readers can now access an extensive collection of digital books and manuals with just a few clicks. These resources, available in PDF, Microsoft Word, and PowerPoint formats, cater to a wide range of interests, including literature, technology, science, history, and much more. One notable platform where you can explore and download free Lg Wine Cellar Lrv810tt Service Manual PDF books and manuals is the internet's largest free library. Hosted online, this catalog compiles a vast assortment of documents, making it a veritable goldmine of knowledge. With its easy-to-use website interface and customizable PDF generator, this platform offers a user-friendly experience, allowing individuals to effortlessly navigate and access the information they seek. The availability of free PDF books and manuals on this platform demonstrates its commitment to democratizing education and empowering individuals with the tools needed to succeed in their chosen fields. It allows anyone, regardless of their background or financial limitations, to expand their horizons and gain insights from experts in various disciplines. One of the most significant advantages of downloading PDF books and manuals lies in their portability. Unlike physical copies, digital books can be stored and carried on a single device, such as a tablet or smartphone, saving valuable space and weight. This convenience makes it possible for readers to have their entire library at their fingertips, whether they are commuting, traveling, or simply enjoying a lazy afternoon at home. Additionally, digital files are easily searchable, enabling readers to locate specific information within seconds. With a few keystrokes, users can search for keywords, topics, or phrases, making research and finding relevant information a breeze. This efficiency saves time and effort, streamlining the learning process and allowing individuals to focus on extracting the information they need. Furthermore, the availability of free PDF books and manuals fosters a culture of continuous learning. By removing financial barriers, more people can access educational resources and pursue lifelong

learning, contributing to personal growth and professional development. This democratization of knowledge promotes intellectual curiosity and empowers individuals to become lifelong learners, promoting progress and innovation in various fields. It is worth noting that while accessing free Lg Wine Cellar Lrv810tt Service Manual PDF books and manuals is convenient and cost-effective, it is vital to respect copyright laws and intellectual property rights. Platforms offering free downloads often operate within legal boundaries, ensuring that the materials they provide are either in the public domain or authorized for distribution. By adhering to copyright laws, users can enjoy the benefits of free access to knowledge while supporting the authors and publishers who make these resources available. In conclusion, the availability of Lg Wine Cellar Lrv810tt Service Manual free PDF books and manuals for download has revolutionized the way we access and consume knowledge. With just a few clicks, individuals can explore a vast collection of resources across different disciplines, all free of charge. This accessibility empowers individuals to become lifelong learners, contributing to personal growth, professional development, and the advancement of society as a whole. So why not unlock a world of knowledge today? Start exploring the vast sea of free PDF books and manuals waiting to be discovered right at your fingertips.

FAQs About Lg Wine Cellar Lrv810tt Service Manual Books

How do I know which eBook platform is the best for me? Finding the best eBook platform depends on your reading preferences and device compatibility. Research different platforms, read user reviews, and explore their features before making a choice. Are free eBooks of good quality? Yes, many reputable platforms offer high-quality free eBooks, including classics and public domain works. However, make sure to verify the source to ensure the eBook credibility. Can I read eBooks without an eReader? Absolutely! Most eBook platforms offer webbased readers or mobile apps that allow you to read eBooks on your computer, tablet, or smartphone. How do I avoid digital eye strain while reading eBooks? To prevent digital eye strain, take regular breaks, adjust the font size and background color, and ensure proper lighting while reading eBooks. What the advantage of interactive eBooks? Interactive eBooks incorporate multimedia elements, quizzes, and activities, enhancing the reader engagement and providing a more immersive learning experience. Lg Wine Cellar Lrv810tt Service Manual is one of the best book in our library for free trial. We provide copy of Lg Wine Cellar Lrv810tt Service Manual in digital format, so the resources that you find are reliable. There are also many Ebooks of related with Lg Wine Cellar Lrv810tt Service Manual. Where to download Lg Wine Cellar Lrv810tt Service Manual online for free? Are you looking for Lg Wine Cellar Lrv810tt Service Manual PDF? This is definitely going to save you time and cash in something you should think about. If you trying to find then search around for online. Without a doubt there are numerous these available and many of them have the freedom. However without doubt you receive whatever you purchase. An alternate way to get ideas is always

to check another Lg Wine Cellar Lrv810tt Service Manual. This method for see exactly what may be included and adopt these ideas to your book. This site will almost certainly help you save time and effort, money and stress. If you are looking for free books then you really should consider finding to assist you try this. Several of Lg Wine Cellar Lrv810tt Service Manual are for sale to free while some are payable. If you arent sure if the books you would like to download works with for usage along with your computer, it is possible to download free trials. The free guides make it easy for someone to free access online library for download books to your device. You can get free download on free trial for lots of books categories. Our library is the biggest of these that have literally hundreds of thousands of different products categories represented. You will also see that there are specific sites catered to different product types or categories, brands or niches related with Lg Wine Cellar Lrv810tt Service Manual. So depending on what exactly you are searching, you will be able to choose e books to suit your own need. Need to access completely for Campbell Biology Seventh Edition book? Access Ebook without any digging. And by having access to our ebook online or by storing it on your computer, you have convenient answers with Lg Wine Cellar Lrv810tt Service Manual To get started finding Lg Wine Cellar Lrv810tt Service Manual, you are right to find our website which has a comprehensive collection of books online. Our library is the biggest of these that have literally hundreds of thousands of different products represented. You will also see that there are specific sites catered to different categories or niches related with Lg Wine Cellar Lrv810tt Service Manual So depending on what exactly you are searching, you will be able tochoose ebook to suit your own need. Thank you for reading Lg Wine Cellar Lrv810tt Service Manual. Maybe you have knowledge that, people have search numerous times for their favorite readings like this Lg Wine Cellar Lrv810tt Service Manual, but end up in harmful downloads. Rather than reading a good book with a cup of coffee in the afternoon, instead they juggled with some harmful bugs inside their laptop. Lg Wine Cellar Lrv810tt Service Manual is available in our book collection an online access to it is set as public so you can download it instantly. Our digital library spans in multiple locations, allowing you to get the most less latency time to download any of our books like this one. Merely said, Lg Wine Cellar Lrv810tt Service Manual is universally compatible with any devices to read.

Find Lg Wine Cellar Lrv810tt Service Manual :

[magic tree house research guide book list](#)

magie et religion dans lafrique du nord

maintenance guide sample management plc

[maintenance guide 20gmc pickup](#)

[magnavox mwd2205 manual](#)

magnavox flat screen manual

[maintenance and service guide hp dv1000](#)

[magnavox tb110mw9a manual](#)

[makerere graduate admission for 2015-2016](#)

[magnavox mwd2206 service manual](#)

maintenant prenez le pouvoir

[magnasonic dvd805 user guide](#)

[maintenance schedule 2002 honda accord](#)

[make gummy candy recipe](#)

maharashtra 11 computer science notes

Lg Wine Cellar Lrv810tt Service Manual :

la ma c moire brisa c e pdf pdf voto unéal edu - Jun 16 2023

web la ma c moire brisa c e pdf unveiling the magic of words a overview of la ma c moire brisa c e pdf in a global defined by information and interconnectivity the enchanting power of words has acquired unparalleled significance their power to kindle emotions provoke contemplation and ignite transformative change is actually awe

la mémoire brisée by de groot bédu rhur impacthub net - May 15 2023

web sep 6 2023 catlogo digital la casa del hotelero documentop com ma moire entre ethnocentrisme dumas mike piperni 2002 2003 s effaa de ma mmoire traduction anglaise linguee ma mmoire perdue tome 1 chapitre 38 une sa voix se brisa c était la seule façon je suis tellement désolée j'aime j'aime attrapa maladroitement le bandeau les

mason locası nda bir hemşire yeni Şafak - Feb 12 2023

web araştırmacı muazzez İlmiye Çığ hür ve kabul edilmiş masonlar büyük locası nda konferans verdi loca Çığ için hemşire ifadesini kullandı

la ma c moire brisa c e pdf 2023 apcuthbert com - Dec 10 2022

web mar 27 2023 la ma c moire brisa c e pdf if you ally need such a referred la ma c moire brisa c e pdf book that will allow you worth get the definitely best seller from us currently from several preferred authors if you want to hilarious books lots of novels tale jokes and more fictions collections are also launched from best seller to one of the most

la ma c moire brisa c e - Jul 17 2023

web download any of our books once this one merely said the la ma c moire brisa c e is universally compatible next any devices to read la sainte bible qui contient l ancien et le nouveau testament c est à dire l ancienne et la nouvelle alliance 1684 la divine comédie de dante alighieri alexis françois artaud de montor 1841

la mémoire brisée by de groot bédu media joomlashine com - Apr 02 2022

web le munisme c est la parole espaces marx ma mmoire perdue tome 1 chapitre 38 une nouvelle levy en wikipedia la peau de chagrin irma coute gratuite tlchargement mp3 video clips unaccusativity in french sciencedirect catlogo digital la casa del hotelero documentop com la peau de chagrin l a p e a u d e c h a g r in films

louvre müzesi louvre müzesi tüm bölümlerparis gezgini - Mar 13 2023

web sep 28 2017 louvre müzesi nde mutlaka görülmesi gereken 3 eser al mughira kutusu 1 al mughira kutusu 968 yılında İspanya nın cordoue şehrinde tek bir fildişi parçasından ince işçilikle işlenmiş bir kutudur ve louvre müzesinde sergilenmektedir 2 monzon aslanı bir zamanlar ağzından sular fıskıran 12 13 yüzyıllar arasında

la mã â moire brisã â e by de groot bã du test naf - May 03 2022

web jun 17 2023 ways to download this ebook la mã â moire brisã â e by de groot bã du is additionally handy it will certainly fritter away the time in certain scenarios you similarly achieve not explore the newspaper la mã â moire brisã â e by de groot bã du that you are looking for you could buy handbook la mã â moire brisã â e by de groot

la ma c moire brisa c e 2022 portal dlc ui edu - Aug 06 2022

web la ma c moire brisa c e downloaded from portal dlc ui edu ng by guest selah barrera cumulative list of organizations described in section 170 c of the internal revenue code of 1986

la chambre türkçe çeviri örnekler fransızca reverso context - Nov 09 2022

web dans la chambre 3808 la chambre forte 270 la chambre des représentants daha fazla reklam Ücretsiz la chambre metninin reverso context tarafından fransızca türkçe bağlamda çevirisi la chambre d amis la même chambre la chambre d hôtel la femme de chambre la chambre à gaz

la ma c moire brisa c e 2022 yvc moeys gov - Sep 07 2022

web la ma c moire brisa c e is manageable in our digital library an online right of entry to it is set as public appropriately you can download it instantly our digital library saves in fused countries allowing you to get the most less latency times to download any of our books following this one

la ma c moire brisa c e kelliemay - Jan 11 2023

web dec 8 2022 la ma c moire brisa c e 1 3 downloaded from kelliemay com on december 8 2022 by guest la ma c moire brisa c e if you ally dependence such a referred la ma c moire brisa c e books that will allow you worth acquire the agreed best seller from us currently from several preferred authors if you want to funny books lots of novels

la mémoire brisée by de groot bédu - Jun 04 2022

web aug 15 2023 la peau de chagrin l a p e a u d e c h a g r in films d bris stock tout molire le mdecin malgr lui acte 1 ma moire iet donnu edu ua 4 56 entre ethnocentrisme dumas la lgende des de brisa de cidro de serie para 5137 y 5169 unidades

somos vendedores la dchirure a

[la ma c moire brisa c e pdf](#) - Mar 01 2022

web info acquire the la ma c moire brisa c e associate that we have the funds for here and check out the link you could buy guide la ma c moire brisa c e or acquire it as soon as feasible you could quickly download this la ma c moire brisa c e after getting deal so as soon as you require the book swiftly you can straight get it

free la ma c moire brisa c e portal sombridge edu so - Sep 19 2023

web suivez les aventures d une famille accusée de sorcellerie au xvie siècle qu est ce qui fait qu une personne est une sorcière pour les personnes vivant en Écosse au 16e siècle le mot même de sorcière est terrifiant tout le monde a peur des sorcières à la fois d être accusé d en être une et d être maudit par cette

la mémoire brisée by de groot bédu - Jul 05 2022

web ma moire entre ethnocentrisme dumas full text of boletn de dialectologa espaola diario de la marina ufdc home la dchirure a supernatural fanfic fanfiction fr la mmoire brise des juifs du maroc malka le munisme c est la parole espaces marx pdf habent sua fata libelli et acta la destruction de ma mmoire perdue tome 1 chapitre 12 sommeil agit

butrint imeri ma chérie şarkı sözleri türkçe çevirisi - Aug 18 2023

web butrint imeri ma chérie şarkı sözleri türkçe çevirisi butrint imeri sanatçısının ma chérie şarkısının arnavutça dilinden türkçe diline çevirisi

la mémoire brisée by de groot bédu - Jan 31 2022

web sep 2 2023 ma moire entre ethnocentrisme dumas la peau de chagrin l a p e a u d e c h a g r in films fr la mmoire brise des juifs du maroc malka pdf propuesta fragancia de brisa de cidro de serie para 5137 y 5169 unidades somos vendedores full text of boletn de dialectologa espaola

la mémoire brisée by de groot bédu rhur impacthub net - Oct 08 2022

web ma moire entre ethnocentrisme dumas full text of a dictionary of english french and german april 24th 2020 gé ner o p res ente s e n la pení ns ula en bas e a la s c ola s o ap én di ces caudales que muestran en la parte anal de las rhur impacthub net 3 18 alas poste riores seguramente su característica

[la ma c moire foudroya c e help environment harvard edu](#) - Apr 14 2023

web as this la ma c moire foudroya c e it ends taking place mammal one of the favored book la ma c moire foudroya c e collections that we have this is why you remain in the best website to look the unbelievable books to have art et santé mentale françois buhler 2019 10 22 le monde illustrê 1859 troublante déclaration une épouse à

l arabo senza sforzo 1 livre coffret de 4 cd en i d kumar copy - Mar 11 2023

web 1 l arabo senza sforzo 1 livre coffret de 4 cd en i getting the books l arabo senza sforzo 1 livre coffret de 4 cd en i now is

not type of inspiring means you could not solitary going afterward ebook growth or library or borrowing from your links to entrance them this is an utterly easy means to specifically acquire guide by on line this online

arabo senza sforzo libro - Aug 04 2022

web foglio dati autore aavv titolo arabo senza sforzo libro editore assimil riferimenti specifici

l arabo senza sforzo 1 livre coffret de 4 cd en i pdf - Jan 09 2023

web dec 2 2022 l arabo senza sforzo 1 livre coffret de 4 cd en i 2 10 downloaded from avenza dev avenza com on december 2 2022 by guest volume honoré de balzac the renowned 19th century french novelist and playwright takes readers on a short fantasy journey to the mystical island of java where he or rather the narrateur encounters a

l arabo senza sforzo 1 livre coffret de 4 cd en i pdf music - Mar 31 2022

web 2 l arabo senza sforzo 1 livre coffret de 4 cd en i 2022 10 14 audio parallelo aiuta inoltre gli studenti di livello intermedio e avanzato a parlare una nuova lingua fluentemente via via che progredisci il sistema di audio parallelo ti farà ripetere le frasi al loro ritmo naturale rimuovendo le versioni più lente puoi

l arabo senza sforzo 1 livre coffret de 4 cd en i pdf full pdf - Apr 12 2023

web jun 11 2023 l arabo senza sforzo 1 livre coffret de 4 cd en i pdf as recognized adventure as skillfully as experience just about lesson amusement as with ease as settlement can be gotten by just checking out a books l arabo senza web l arabo senza sforzo 1 livre coffret de 4 cd en italien by assimil collection sans peine con questo

l arabo senza sforzo 1 livre coffret de 4 cd en i pdf d kumar - Feb 27 2022

web merely said the l arabo senza sforzo 1 livre coffret de 4 cd en i pdf is universally compatible with any devices to read la chronique de saint hubert dite cantatorium karl hanquet lambertus minor 2019 02 28 this work has been selected by scholars as being culturally important and is part of the knowledge base of civilization as we know it

l arabo senza sforzo 1 livre coffret de 4 cd en i d kumar full - Nov 07 2022

web jul 23 2023 l arabo senza sforzo 1 livre coffret de 4 cd en i when somebody should go to the books stores search introduction by shop it will totally ease you to look guide l arabo senza sforzo 1 livre coffret de 4 cd en i as you such as by searching the title publisher or authors of guide you in fact want you can discover them rapidly in the

l arabo senza sforzo 1 livre coffret de 4 cd en i - Dec 28 2021

web de 4 cd en i if you ally compulsion such a referred l arabo senza sforzo 1 livre coffret de 4 cd en i book that will present you worth acquire the very best seller from us

l arabo senza sforzo 1 livre coffret de 4 cd en italien by - Jul 15 2023

web l arabo senza sforzo 1 livre coffret de 4 cd en italien by assimil collection sans peine debbiedayglo livre l arabo crit par dominique halbout et jean apprenticesapprenticeship opportunities mylda co uk catalogue assimil langue franaise langue

anglaise catalogue assimil 2016 pdf free download l arabo

l arabo senza sforzo 1 livre coffret de 4 cd en i pdf 2023 - Oct 06 2022

web l arabo senza sforzo 1 livre coffret de 4 cd en i pdf unveiling the energy of verbal art an mental sojourn through l arabo senza sforzo 1 livre coffret de 4 cd en i pdf in some sort of inundated with displays and the cacophony of immediate connection the profound power and psychological resonance of verbal art usually disappear into

l arabo senza sforzo con 4 cd audio libreria universitaria - May 13 2023

web acquista l arabo senza sforzo con 4 cd audio di jean jacques schmidt con spedizione gratuita su libreria universitaria

l arabo senza sforzo 1 livre coffret de 4 cd en i pdf stefanie - May 01 2022

web may 2 2023 l arabo senza sforzo 1 livre coffret de 4 cd en i pdf if you ally compulsion such a referred l arabo senza sforzo 1 livre coffret de 4 cd en i pdf ebook that will manage to pay for you worth get the completely best seller from us currently from several preferred authors if you want to comical books lots of novels tale jokes and

l arabo senza sforzo 1 livre coffret de 4 cd en italien by - Jul 03 2022

web jun 13 2023 in the path of them is this l arabo senza sforzo 1 livre coffret de 4 cd en italien by assimil collection sans peine that can be your colleague acknowledging the overstatement ways to download this ebook l arabo senza sforzo 1 livre coffret de 4 cd en italien by assimil collection sans peine is additionally beneficial

l arabo senza sforzo 1 livre coffret de 4 cassettes en italien by - Jun 02 2022

web jul 4 2023 l arabo senza sforzo 1 livre coffret de 4 cassettes en italien by assimil collection sans peine full text of sacre impronte e oggetti non fatti da mano la scuola media con cd audio con espansione online 1 di marty n hobbs pdf assimil librarything april 2nd 2020 assimil author of

l arabo senza sforzo 1 livre coffret de 4 cd en i jenna jaxon - Aug 16 2023

web l arabo senza sforzo 1 livre coffret de 4 cd en i this is likewise one of the factors by obtaining the soft documents of this l arabo senza sforzo 1 livre coffret de 4 cd en i by online you might not require more grow old to spend to go to the book launch as capably as search for them in some cases you likewise pull off not discover the

l arabo senza sforzo 1 livre coffret de 4 cd en i pdf - Dec 08 2022

web l arabo senza sforzo 1 livre coffret de 4 cd en i 3 3 intonazioni rallentando accelerando e ponendo l accento sulle varie parti delle frasi questo contribuirà ad accelerare la tua capacità di comprendere e parlare la lingua in modo naturale veloce senza sforzo e divertente l esclusivo sistema di apprendimento della lingua in audio

l arabo senza sforzo youtube - Jun 14 2023

web 9 1k views 10 years ago lezioni illustrative dei corsi assimil impara l arabo moderno standard senza sforzo con un corso di lingue assimil puoi imparare attraverso il metodo intuitivo la

I arabo senza sforzo assimil libri islam - Sep 05 2022

web l arabo senza sforzo assimil 21 16 vedi il retro guarda l interno attualmente l arabo è parlato da più di 300 milioni di persone nel mondo ed è la lingua ufficiale in 22 paesi accanto alle lingue parlate localmente veicolo di comunicazione nella vita quotidiana chiunque sia in grado di seguire una trasmissione radiofonica

I arabo senza sforzo 1 livre coffret de 4 cd en i pdf - Feb 10 2023

web nov 9 2022 l arabo senza sforzo 1 livre coffret de 4 cd en i is available in our book collection an online access to it is set as public so you can get it instantly our book servers spans in multiple countries allowing you to get the most less latency time to download any of our books like this one kindly say the l arabo senza sforzo 1 livre coffret

I arabo senza sforzo 1 livre coffret de 4 cd en i jenna jaxon - Jan 29 2022

web l arabo senza sforzo 1 livre coffret de 4 cd en i is available in our book collection an online access to it is set as public so you can download it instantly

prelim 14 2006 dressage test learning tool youtube - Jul 30 2023

web sep 8 2017 prelim 14 2006 dressage test learning tool youtube watch this video now to help you learn the preliminary 14 2006 british dressage test this video has some excellent quality

british dressage preliminary 14 a5 bsps scotland - Aug 31 2023

web 14 2006 1 a c enter in working trot and proceed down centre line without halting track left 10 straightness evenness of contact balance regularity tempo freedom 2 he e ek working trot circle left 20 metres diameter working trot 10 regularity tempo freedom balance bend size shape 3 between k a transition to walk one horses length

murphy bd prelim 14 65 76 youtube - Jun 28 2023

web jul 25 2020 murphy bd prelim 14 65 76 gezzcanezz 81 4k subscribers 4 1k views 3 years ago we decided to reattempt prelim 14 since i forgot my test last week really pleased with how he went just

beyblade burst 1 sezon 14 bölüm söz verdiğimiz savaş - Feb 10 2022

web nov 25 2017 beyblade burst 1 sezon 14 bölüm söz verdiğimiz savaş 5 512 İzlesene videolar Çizgi film trcizgifilmlerizle facebook ta paylaş

bd prelim 14 youtube - Apr 14 2022

web jul 24 2017 bd prelim 14 friesland horse diaries 375 subscribers subscribe 5 3k views 5 years ago montys first test a fabulous 74 july 2017 jingles wasn t sure about

brc tests the british horse society - Nov 21 2022

web brc tests please find below the brc tests that we currently use for qualifiers and championships which are available to download last reviewed 13th april 2023 score sheets can be purchased through the bhs bookshop unless otherwise stated

horse trials tests national championship tests dressage to music championship tests

test sheets and plans british dressage - Feb 22 2023

web tests sheet and plans we have all of the current bd test sheets available to buy for every level and test number with prices starting from 50p choose from a5 test sheets laminated a5 test sheets and diagrammatic a4 test plans

quest british dressage - Dec 23 2022

web sep 3 2017 my quest intro b prelim 14 and novice 27 team quest intro c prelim 18 and novice 30 championships 3 5 november at arena uk lincolnshire national leader boards at all levels sections prizes to the top 3 and rosettes will be awarded to the top 10 on each leader board at the end of the season championship dressage tests

sets of test sheets plans british dressage - Jul 18 2022

web tests sheet and plans sets of test sheets plans sets of test sheets plans folder 8 50 view folder and bd intro prelim novice test set 16 00 view bd intro prelim novice test set 9 50 view folder and bd introductory to advanced test set 26 50 view complete bd test set 18 00 view a4 diagrammatic test plan sets 20 00 view

autumn dressage championships sunday 1st october 2023 - Mar 14 2022

web bd walk trot intro b 2009 open class for juniors seniors 0 2 bd prelim 14 2006 open class for juniors seniors 0 3 bd prelim 15 2008 open class for juniors seniors 0 199 4 bd novice 38 2005 open class for juniors seniors 200 349 5 bd elem 40 2010 open class for juniors seniors 350 449

british dressage preliminary 14 2006 test sheet with diagrams - Oct 21 2022

web fully approved by british dressage this prelim 14 test sheet with diagrams adjacent to each movement is designed to help the rider easily understand and learn the movements of the dressage test the clear and concise visual diagrams also make it easier to switch between dressage tests and to refresh the test in your mind before riding it

unaffiliated bd prelim 14 dressage test 58 08 youtube - Aug 19 2022

web It equestrian 9 subscribers subscribe 364 views 1 year ago felbridge show ground novel s hind legs were becoming less active and i couldn t afford lessons here to figure out how to strengthen

baba 1 sezon 14 bölüm tek parça full hd İzle puhutv - Jan 12 2022

web baba 1 sezon 14 bölüm izlemek için tıkla baba dizisinin 1 sezon 14 bölüm full hd tek parça puhutv de şimdi izle

prelim 14 2006 dressage test horse and hound forum - May 16 2022

web sep 1 2014 could anyone tell me the prelim 14 dressage test as i am doing it soon and need to start practicing thankyou

bd prelim 14 youtube - Jan 24 2023

web prelim 14 at epworth equestrian 10th september 2016 69 23 3rd place

score sheets preliminary british dressage - Mar 26 2023

web prelin 1 2006 short arena prelin 2 2016 short arena prelin 7 2002 short arena revised collective marks 2016 prelin 12 2005 short arena revised collective marks 2016 prelin 13 2006 short arena revised collective marks 2016 prelin 14 2006 short arena revised collective marks 2016

preliminary tests plans british dressage - May 28 2023

web prelin 1 2006 test prelin 2 2016 test prelin 7 2002 test revised collective marks 2016 prelin 12 2005 test revised collective marks 2016 prelin 13 2006 test revised collective marks 2016 prelin 14 2006 test revised collective marks 2016 prelin 15 2008 test revised collective marks 2016 prelin 17a 2017 test

llantwit major district riding club - Apr 26 2023

web 14 between m c working trot hxf change the rein in working trot turn down centre line between x g halt immobility salute leave the arena in a free walk on a long rein where appropriate wt ax ma 10 x 2 max ma 10 x 2 max mark 10 x 2 ax mar 10 x 2 total 240 max marks 10 max ma 10 16 17

diagrams of latest dressage tests including new for 2019 - Jun 16 2022

web bd prelin test 14 2006 rev 2016 s 2 00 bd prelin test 15 2008 rev 2016 l 2 00 bd prelin test 17a 2017 l 2 00 bd prelin test 18 2002 rev 2016 s 2 00 bd prelin test 19 2008 rev 2016 l 2 00 bd novice test 22 2007 l 2 00 bd novice test 23 2012 rev 2016 l

preliminary dressage test sheets trot online - Sep 19 2022

web british dressage preliminary 14 2006 test sheet with diagrams 2 95 add to basket british dressage preliminary 15 2008 test sheet with diagrams 2 95 add to basket british dressage preliminary 17 2014 test sheet with diagrams 2 95