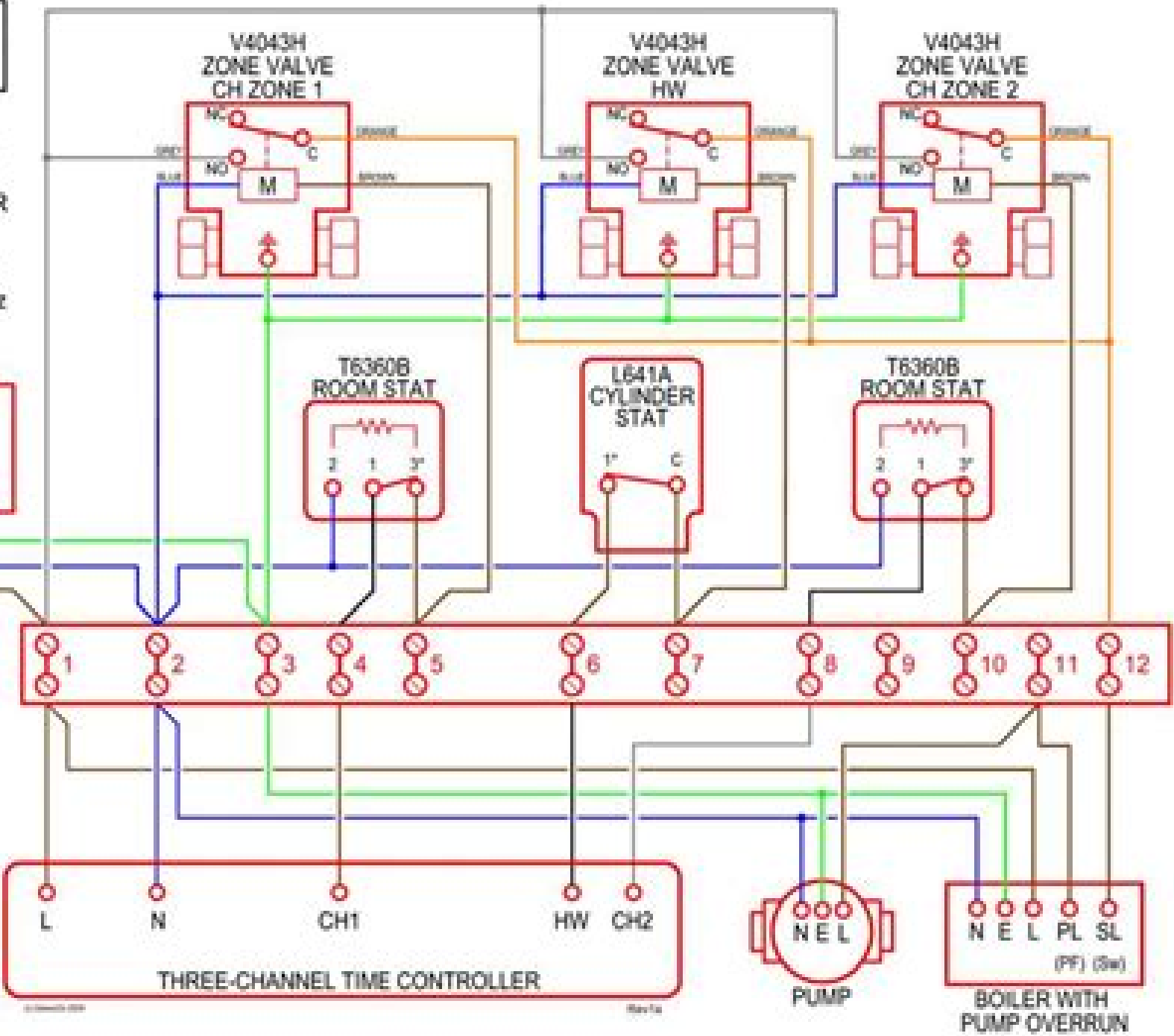
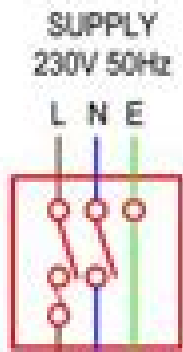


'S' PLAN PLUS

WITH
3-CHANNEL
TIME
CONTROLLER



How Wiring Zone Valves Schematic

L Towne



How Wiring Zone Valves Schematic:

This is likewise one of the factors by obtaining the soft documents of this **How Wiring Zone Valves Schematic** by online. You might not require more period to spend to go to the book opening as skillfully as search for them. In some cases, you likewise complete not discover the notice How Wiring Zone Valves Schematic that you are looking for. It will totally squander the time.

However below, when you visit this web page, it will be therefore unconditionally simple to acquire as with ease as download lead How Wiring Zone Valves Schematic

It will not tolerate many grow old as we tell before. You can realize it even though deed something else at house and even in your workplace. hence easy! So, are you question? Just exercise just what we have enough money under as with ease as evaluation **How Wiring Zone Valves Schematic** what you subsequent to to read!

https://staging.conocer.cide.edu/data/browse/HomePages/Great_Harvest_Bread_Roll_Recipe.pdf

Table of Contents How Wiring Zone Valves Schematic

1. Understanding the eBook How Wiring Zone Valves Schematic
 - The Rise of Digital Reading How Wiring Zone Valves Schematic
 - Advantages of eBooks Over Traditional Books
2. Identifying How Wiring Zone Valves Schematic
 - Exploring Different Genres
 - Considering Fiction vs. Non-Fiction
 - Determining Your Reading Goals
3. Choosing the Right eBook Platform
 - Popular eBook Platforms
 - Features to Look for in an How Wiring Zone Valves Schematic
 - User-Friendly Interface
4. Exploring eBook Recommendations from How Wiring Zone Valves Schematic

- Personalized Recommendations
- How Wiring Zone Valves Schematic User Reviews and Ratings
- How Wiring Zone Valves Schematic and Bestseller Lists
- 5. Accessing How Wiring Zone Valves Schematic Free and Paid eBooks
 - How Wiring Zone Valves Schematic Public Domain eBooks
 - How Wiring Zone Valves Schematic eBook Subscription Services
 - How Wiring Zone Valves Schematic Budget-Friendly Options
- 6. Navigating How Wiring Zone Valves Schematic eBook Formats
 - ePub, PDF, MOBI, and More
 - How Wiring Zone Valves Schematic Compatibility with Devices
 - How Wiring Zone Valves Schematic Enhanced eBook Features
- 7. Enhancing Your Reading Experience
 - Adjustable Fonts and Text Sizes of How Wiring Zone Valves Schematic
 - Highlighting and Note-Taking How Wiring Zone Valves Schematic
 - Interactive Elements How Wiring Zone Valves Schematic
- 8. Staying Engaged with How Wiring Zone Valves Schematic
 - Joining Online Reading Communities
 - Participating in Virtual Book Clubs
 - Following Authors and Publishers How Wiring Zone Valves Schematic
- 9. Balancing eBooks and Physical Books How Wiring Zone Valves Schematic
 - Benefits of a Digital Library
 - Creating a Diverse Reading Collection How Wiring Zone Valves Schematic
- 10. Overcoming Reading Challenges
 - Dealing with Digital Eye Strain
 - Minimizing Distractions
 - Managing Screen Time
- 11. Cultivating a Reading Routine How Wiring Zone Valves Schematic
 - Setting Reading Goals How Wiring Zone Valves Schematic
 - Carving Out Dedicated Reading Time
- 12. Sourcing Reliable Information of How Wiring Zone Valves Schematic

- Fact-Checking eBook Content of How Wiring Zone Valves Schematic
 - Distinguishing Credible Sources
13. Promoting Lifelong Learning
- Utilizing eBooks for Skill Development
 - Exploring Educational eBooks
14. Embracing eBook Trends
- Integration of Multimedia Elements
 - Interactive and Gamified eBooks

How Wiring Zone Valves Schematic Introduction

Free PDF Books and Manuals for Download: Unlocking Knowledge at Your Fingertips In today's fast-paced digital age, obtaining valuable knowledge has become easier than ever. Thanks to the internet, a vast array of books and manuals are now available for free download in PDF format. Whether you are a student, professional, or simply an avid reader, this treasure trove of downloadable resources offers a wealth of information, conveniently accessible anytime, anywhere. The advent of online libraries and platforms dedicated to sharing knowledge has revolutionized the way we consume information. No longer confined to physical libraries or bookstores, readers can now access an extensive collection of digital books and manuals with just a few clicks. These resources, available in PDF, Microsoft Word, and PowerPoint formats, cater to a wide range of interests, including literature, technology, science, history, and much more. One notable platform where you can explore and download free How Wiring Zone Valves Schematic PDF books and manuals is the internet's largest free library. Hosted online, this catalog compiles a vast assortment of documents, making it a veritable goldmine of knowledge. With its easy-to-use website interface and customizable PDF generator, this platform offers a user-friendly experience, allowing individuals to effortlessly navigate and access the information they seek. The availability of free PDF books and manuals on this platform demonstrates its commitment to democratizing education and empowering individuals with the tools needed to succeed in their chosen fields. It allows anyone, regardless of their background or financial limitations, to expand their horizons and gain insights from experts in various disciplines. One of the most significant advantages of downloading PDF books and manuals lies in their portability. Unlike physical copies, digital books can be stored and carried on a single device, such as a tablet or smartphone, saving valuable space and weight. This convenience makes it possible for readers to have their entire library at their fingertips, whether they are commuting, traveling, or simply enjoying a lazy afternoon at home. Additionally, digital files are easily searchable, enabling readers to locate specific information within seconds. With a few keystrokes, users can search for keywords, topics, or phrases, making research and finding relevant information a breeze.

This efficiency saves time and effort, streamlining the learning process and allowing individuals to focus on extracting the information they need. Furthermore, the availability of free PDF books and manuals fosters a culture of continuous learning. By removing financial barriers, more people can access educational resources and pursue lifelong learning, contributing to personal growth and professional development. This democratization of knowledge promotes intellectual curiosity and empowers individuals to become lifelong learners, promoting progress and innovation in various fields. It is worth noting that while accessing free How Wiring Zone Valves Schematic PDF books and manuals is convenient and cost-effective, it is vital to respect copyright laws and intellectual property rights. Platforms offering free downloads often operate within legal boundaries, ensuring that the materials they provide are either in the public domain or authorized for distribution. By adhering to copyright laws, users can enjoy the benefits of free access to knowledge while supporting the authors and publishers who make these resources available. In conclusion, the availability of How Wiring Zone Valves Schematic free PDF books and manuals for download has revolutionized the way we access and consume knowledge. With just a few clicks, individuals can explore a vast collection of resources across different disciplines, all free of charge. This accessibility empowers individuals to become lifelong learners, contributing to personal growth, professional development, and the advancement of society as a whole. So why not unlock a world of knowledge today? Start exploring the vast sea of free PDF books and manuals waiting to be discovered right at your fingertips.

FAQs About How Wiring Zone Valves Schematic Books

What is a How Wiring Zone Valves Schematic PDF? A PDF (Portable Document Format) is a file format developed by Adobe that preserves the layout and formatting of a document, regardless of the software, hardware, or operating system used to view or print it. **How do I create a How Wiring Zone Valves Schematic PDF?** There are several ways to create a PDF: Use software like Adobe Acrobat, Microsoft Word, or Google Docs, which often have built-in PDF creation tools. Print to PDF: Many applications and operating systems have a "Print to PDF" option that allows you to save a document as a PDF file instead of printing it on paper. Online converters: There are various online tools that can convert different file types to PDF. **How do I edit a How Wiring Zone Valves Schematic PDF?** Editing a PDF can be done with software like Adobe Acrobat, which allows direct editing of text, images, and other elements within the PDF. Some free tools, like PDFescape or Smallpdf, also offer basic editing capabilities. **How do I convert a How Wiring Zone Valves Schematic PDF to another file format?** There are multiple ways to convert a PDF to another format: Use online converters like Smallpdf, Zamzar, or Adobe Acrobat's export feature to convert PDFs to formats like Word, Excel, JPEG, etc. Software like Adobe Acrobat, Microsoft Word, or other PDF editors may have options to export or save PDFs in different formats. **How do I password-protect a**

How Wiring Zone Valves Schematic PDF? Most PDF editing software allows you to add password protection. In Adobe Acrobat, for instance, you can go to "File" -> "Properties" -> "Security" to set a password to restrict access or editing capabilities. Are there any free alternatives to Adobe Acrobat for working with PDFs? Yes, there are many free alternatives for working with PDFs, such as: LibreOffice: Offers PDF editing features. PDFsam: Allows splitting, merging, and editing PDFs. Foxit Reader: Provides basic PDF viewing and editing capabilities. How do I compress a PDF file? You can use online tools like Smallpdf, ILovePDF, or desktop software like Adobe Acrobat to compress PDF files without significant quality loss. Compression reduces the file size, making it easier to share and download. Can I fill out forms in a PDF file? Yes, most PDF viewers/editors like Adobe Acrobat, Preview (on Mac), or various online tools allow you to fill out forms in PDF files by selecting text fields and entering information. Are there any restrictions when working with PDFs? Some PDFs might have restrictions set by their creator, such as password protection, editing restrictions, or print restrictions. Breaking these restrictions might require specific software or tools, which may or may not be legal depending on the circumstances and local laws.

Find How Wiring Zone Valves Schematic :

great harvest bread roll recipe

green eggs and ham recipe

gross domestic product guided answers

great gatsby lesson 9 handout 16 answers

grey anatomy muffin recipe

green eyed temptation halos horns book one english edition

grce syriza contre leurope nolibrable

~~great gatsby literature guide answers ch 5~~

great gatsby test and answer key

great recipes for the astute bachelor zombie english edition

grounded in heels english edition

great sword creation guide

great gatsby quiz 10 questions and answers

green book foir o level zimsec question papers

green asparagus recipe

How Wiring Zone Valves Schematic :

die vogel orinthes by aristophanes alibris - Feb 02 2023

web aristophanes die vögel orinthes zwei weise athener sind die streitsucht in ihrer stadt leid und wollen sich von einem wiedehopf den weg in die emigration zu einem friedlichen ort weisen lassen doch keiner der vorschläge findet ihr gefallen so entsteht die idee eines vogelstaates zwischen der menschenwelt und dem reich der götter

die vögel aristophanes wikipedia - Oct 10 2023

web read 171 reviews from the world s largest community for readers aristophanes die vogel orinthes edition holzinger taschenbuch berliner ausgabe 2

die vögel orinthes aristophanes amazon de bücher - Aug 08 2023

web die vögel orinthes aristophanes amazon com tr kitap Çerez tercihlerinizi seçin Çerez bildirimimizde detaylandırıldığı üzere satın alım yapmanızı sağlamak alışveriş deneyiminizi geliştirmek ve hizmetlerimizi sunmak için gerekli olan çerezleri ve benzer araçları kullanıyoruz

die vögel aristophanes amazon com tr kitap - Apr 04 2023

web feb 5 2013 aristophanes die vögel orinthes edition holzinger taschenbuch berliner ausgabe 2013 2 auflage vollstä

die vögel orinthes german edition kindle edition amazon com - Oct 30 2022

web die vögel orinthes find all books from aristophanes at find more books com you can find used antique and new books compare results and immediately purchase your selection at the best price 9781482363746 aristophanes die vogel orinthes edition holzinger taschenbuch berliner ausgabe 2013

die vögel orinthes german edition softcover abebooks - Jan 01 2023

web feb 5 2013 amazon com die vögel orinthes german edition 9781482363746 aristophanes books

die vögel orinthes hardcover 10 oct 2016 amazon co uk - Jun 06 2023

web hello sign in account lists returns orders shopping

die vögel orinthes german edition paperback amazon com - Nov 30 2022

web dec 14 2017 delivering to lebanon 66952 choose location for most accurate options kindle store select the department you want to search in

die v gel orinthes by aristophanes goodreads - Sep 09 2023

web zwei auswanderer die ihre heimat verlassen mussten landen in den bergen in einer art vogelkolonie und gründen dort mit den vögeln einen eigenen staat eine wolkenkuckucksburg prompt treffen wahrsager landvermesser poeten und bürokraten ein und wollen an dem neuen staat verdienen indem sie ihre dienste anpreisen

9781482363746 die vögel orinthes aristophanes right - Sep 28 2022

web buy die vögel orinthes by aristophanes online on amazon ae at best prices fast and free shipping free returns cash on delivery available on eligible purchase

die vögel orinthes by aristophanes amazon ae - Aug 28 2022

web amazon in buy die vögel orinthes book online at best prices in india on amazon in read die vögel orinthes book reviews author details and more at amazon in free delivery on qualified orders

orgelvogels wikipedia - Dec 20 2021

die vögel opera wikipedia - Feb 19 2022

web alle infos über den musiker erhältliche aufnahmen und anstehende konzerte videos und fotos von unvergesslichen auftritten und der fanclub der band

dov die original vögel - Jan 21 2022

web orgelvogels fluitvogels of cracticinae zijn een onderfamilie van vogels uit de orde zangvogels volgens de ioc world bird list versie 4 4 is de familie cracticidae opgegaan in de familie artamidae waartoe vóór deze samenvoeging alleen de zogenaamde spitsvogels van het geslacht artamus behoorden verspreiding en leefgebied vertegenwoordigers

die vögel orinthes by aristophanes booksamillion com - Mar 23 2022

web national theatre munich die vögel the birds op 30 is an opera in a prologue and two acts by walter braunfels the libretto written by the composer is a free adaptation of aristophanes comedy the birds which was performed at the dionysos theatre in

die vögel orinthes aristophanes amazon com au books - May 25 2022

web die vögel orinthes german edition ebook aristophanes amazon com au books

die vögel orinthes by aristophanes paperback barnes noble - Mar 03 2023

web buy die vogel orinthes by aristophanes online at alibris we have new and used copies available in 3 editions starting at 10 38 shop now

buy die vögel orinthes book online at low prices in india die - Jul 27 2022

web oct 5 2023 informationen zum titel die vögel orinthes von aristophanes mit kurzbeschreibung und verfügbarkeitsabfrage facts information about title die vögel orinthes by aristophanes with description and availability check

die vögel orinthes hardcover 10 oct 2016 amazon de - May 05 2023

web arama yapmak istediğiniz kategoriye seçin

die vögel orinthes aristophanes amazon com tr kitap - Jul 07 2023

web buy die vögel orinthes by aristophanes isbn 9783843018531 from amazon s book store everyday low prices and free

delivery on eligible orders

die vögel orinthes german edition kindle edition - Apr 23 2022

web die vögel aristophanes die v gel orinthes zwei weise athener sind die streitsucht in ihrer stadt leid und wollen sich von einem wiedehopf den weg in die emigration zu einem friedlichen ort weisen lassen doch keiner der vorschläge findet ihr gefallen

die vögel orinthes createspace independent publishing - Jun 25 2022

web select the department you want to search in

pathologic basis of veterinary disease 9780323713139 us - Mar 11 2023

web description use the veterinarian's 1 reference on general pathology and the pathology of organ systems pathologic basis of veterinary disease 7th edition helps you understand and diagnose diseases of domestic animals by

pathologic basis of veterinary disease 6th edition edited by - Apr 12 2023

web mar 5 2017 pathologic basis of veterinary disease 6th edition edited by james f zachary elsevier st louis mo 2017 1 394 isbn 978 0 3233 5775 3 price 159 us monday 2017 veterinary dermatology wiley online library book review

pathologic basis of veterinary disease 7th edition - Sep 05 2022

web use the veterinarian's 1 reference on general pathology and the pathology of organ systems pathologic basis of veterinary disease 7th edition helps you understand and diagnose diseases of domestic animals by using the latest scientific and medical research focusing on dogs cats horses cattle sheep goats and pigs this reference describes

pathologic basis of veterinary disease 7th edition - May 01 2022

web description use the veterinarian's 1 reference on general pathology and the pathology of organ systems pathologic basis of veterinary disease 7th edition helps you understand and diagnose diseases of domestic animals by using the latest scientific and medical research

pathologic basis of veterinary disease google books - Feb 27 2022

web diagnose and manage diseases using the newest information and research pathologic basis of veterinary disease expert consult 6th edition provides complete illustrated coverage of both general pathology and the pathology of

pathologic basis of veterinary disease elsevier - May 13 2023

web jan 18 2022 p use the veterinarian's 1 reference on general pathology and the pathology of organ systems b pathologic basis of veterinary disease 7th edition b helps you understand and diagnose diseases of domestic animals by using the latest scientific and medical research

pathologic basis of veterinary disease expert consult e book - Dec 28 2021

web may 23 2016 diagnose and manage diseases using the newest information and research pathologic basis of veterinary

disease expert consult 6th edition provides complete illustrated coverage of both general pathology and the pathology of organ systems of domestic animals

[pathologic basis of veterinary disease5 google books](#) - Aug 04 2022

web jan 1 2012 with over 2 000 full color illustrations pathologic basis of veterinary disease 5th edition provides complete coverage of both general pathology and pathology of organ systems in one convenient resource in depth explanations cover the responses of cells tissues and organs to injury and infection expert researchers james f zachary

pathologic basis of veterinary disease 7th edition elsevier - Jul 15 2023

web dec 15 2021 description use the veterinarian s 1 reference on general pathology and the pathology of organ systems pathologic basis of veterinary disease 7th edition helps you understand and diagnose diseases of domestic animals by using the latest scientific and medical research

book review pathologic basis of veterinary disease - Mar 31 2022

web may 20 2022 also from sage publishing cq library american political resources opens in new tab data planet a universe of data opens in new tab sage business cases real world cases at your fingertips opens in new tab sage campus online skills and methods courses opens in new tab sage knowledge the ultimate social science library opens in

pathologic basis of veterinary disease 7th edition elsevier uk - Jan 09 2023

web pathologic basis of veterinary disease 7th edition helps you understand and diagnose diseases of domestic animals by using the latest scientific and medical research focusing on dogs cats horses cattle sheep goats and pigs this reference describes and vividly illustrates and explores the pathogenesises of animal diseases how cells and

pathologic basis of veterinary disease sciencedirect - Aug 16 2023

web description diagnose and manage diseases using the newest information and research pathologic basis of veterinary disease expert consult 6th edition provides complete illustrated coverage of both general pathology and the pathology of organ systems of domestic animals

[pathologic basis of veterinary disease 4th ed pmc](#) - Feb 10 2023

web the 4th edition of this text differs substantially from previous versions most notably in added coverage of principles of general pathology in addition to the specific pathology of organ systems and extensive use of color photographs and

[pathologic basis of veterinary disease amazon com](#) - Jan 29 2022

web jan 10 2022 use the veterinarian s 1 reference on general pathology and the pathology of organ systems pathologic basis of veterinary disease 7th edition helps you understand and diagnose diseases of domestic animals by using the latest scientific and medical research focusing on dogs cats horses cattle sheep goats and pigs this

pathologic basis of veterinary disease e book google books - Oct 06 2022

web dec 15 2021 [pathologic basis of veterinary disease 7th edition](#) helps you understand and diagnose diseases of domestic animals by using the latest scientific and medical research

pathologic basis of veterinary disease expert consult 6e - Jul 03 2022

web diagnose and manage diseases using the newest information and research [pathologic basis of veterinary disease expert consult 6th edition](#) provides complete illustrated coverage of both general pathology and the pathology of organ systems of domestic animals addressing species from dogs and cats to pigs and cattle and many more this

pathologic basis of veterinary disease 5th edition europe pmc - Nov 07 2022

web apr 1 2014 the 5th edition of [pathologic basis of veterinary disease](#) is an excellent reference for veterinary students and veterinarians who are interested in reviewing the pathophysiology of the diseases observed in practice

[pathologic basis of veterinary disease google books](#) - Jun 14 2023

web aug 28 2006 [pathologic basis of veterinary disease m donald mcgavin james f zachary elsevier health sciences](#) aug 28 2006 medical 1488 pages the 4th edition of this textbook now in full color

[pathologic basis of veterinary disease elsevier](#) - Dec 08 2022

web jun 5 2016 [pathologic basis of veterinary disease expert consult 6th edition](#) provides complete illustrated coverage of both general pathology and the pathology of organ systems of domestic animals

pathologic basis of veterinary disease google books - Jun 02 2022

web [pathologic basis of veterinary disease m donald mcgavin elsevier mosby 2007 medical 1476 pages](#) the 4th edition of this textbook now in full color presents both general pathology and special pathology in one comprehensive resource

electrical power system soni gupta bhatnagar copy lgscout - Nov 24 2021

web load characteristics tariffs power system stability and more elements of power systems is designed as an undergraduate level textbook but the book also makes a handy

soni gupta bhatnagar power system book - Feb 25 2022

web power system and suggests classical and more modern statistical methods of co ordinating the insulation requirements of the system electric power transmission and distribution

[electrical power by soni gupta and bhatnagar copy uniport edu](#) - Dec 26 2021

web apr 18 2023 [electrical power by soni gupta and bhatnagar](#) is universally compatible bearing in mind any devices to read national union catalog 1970 includes entries for

[soni gupta bhatnagar power system book pdf books](#) - Jan 07 2023

web [soni gupta bhatnagar power system book free download as pdf file pdf text file txt or read online for free xyz](#)

power system engineering soni gupta bhatnagar copy las gnome - Aug 02 2022

web jan 9 2023 power system engineering soni gupta bhatnagar 4 18 downloaded from las gnome org on january 9 2023 by guest of large scale power system analysis

power system engineering soni gupta bhatnagar full medair - Nov 05 2022

web a chakrabarti asst prof of the department of electrical engineering foreword text book on power system engineering chakrabarti

sinop elektrik santralleri - Oct 24 2021

web sinop un elektrik santrali kurulu gücü 608 mwe dir sinop taki 9 elektrik santrali ile yılda yaklaşık 592 gwh elektrik üretimi yapılmaktadır bu üretim miktarı sinop un elektrik

electrical power by soni gupta and bhatnagar wrbb neu - Mar 29 2022

web 2 electrical power by soni gupta and bhatnagar 2019 06 16 of electricity undertaking in india new age international this book presents select proceedings of the electric

details for textbook on power system engineering nirma - May 11 2023

web by chakrabarti abhijit contributor s soni m l gupta p v bhatnagar u s material type text publication details new delhi dhanpat rai publications ltd 2013 edition 2nd

a text book on power system engineering open library - Jun 12 2023

web aug 28 2009 a text book on power system engineering by m l soni p v gupta u s bhatnagar a chakrabarti open library overview view 1 edition details

electrical power by soni gupta bhatnagar in - Jan 27 2022

web download ebook electrical power by soni gupta bhatnagar in power system engineering this book presents select and peer reviewed proceedings of the

power system engineering soni gupta bhatnagar 2023 - Sep 03 2022

web among guides you could enjoy now is power system engineering soni gupta bhatnagar below books from india 1975 elements of electrical power station design 2010

electrical power by soni gupta bhatnagar download in pdf - May 31 2022

web electrical power by soni gupta bhatnagar download in pdf control applications in modern power system power system analysis transmission distribution of

electrical power system soni gupta bhatnagar thebookee net - Sep 22 2021

web download our electrical power system soni gupta bhatnagar ebooks for free and learn more about electrical power system soni gupta bhatnagar these books contain

ebook electrical power by soni gupta and bhatnagar - Jul 13 2023

web electrical power by soni gupta and bhatnagar application of machine learning and deep learning methods to power system problems aug 04 2020 this book evaluates
[a course in electrical power by soni gupta and bhatnagar pdf](#) - Oct 04 2022
web introduction to electrical power systems course in electrical power electrical power engineering power electronics a first course electrical power and controls covering
[power systems by soni gupta bhatnagar](#) - Dec 06 2022
web jan 28 2015 needed a textbook on power system engineering by a chakrabarti m l soni p v gupta u s bhatnagar publication dhanpat rai co a course in electrical
a course in electrical power m l soni p v gupta u s - Aug 14 2023
web a course in electrical power m l soni p v gupta u s bhatnagar dhanpat rai 1987 electric power 177 pages
[soni gupta bhatnagar download free pdf or buy books](#) - Feb 08 2023
web courses of s view pdf electrical power generation distribution and utilization by soni gupta and bhatnagar dhanpat rai a course in electrical circuit analysis soni and
electrical power by soni gupta and bhatnagar pdf wrbb neu - Jul 01 2022
web electrical energy and then goes on to explain how this energy can be effectively utilized for various applications like welding electric traction illumination and electrolysis
[power system engineering soni gupta bhatnagar pdf](#) - Mar 09 2023
web system engineering soni gupta bhatnagar pdf may not make exciting reading but power system engineering soni gupta bhatnagar is packed with valuable instructions
a text book on power system engineering google books - Apr 10 2023
web jan 1 2008 bibliographic information title a text book on power system engineering authors a chakrabarti soni ml p v gupta publisher dhanpat rai publishing
[a course in electrical power by soni gupta and bhatnagar](#) - Apr 29 2022
web a course in electrical power by soni gupta and bhatnagar author blogs post gazette com 2023 09 10t00 00 00 00 01
subject a course in electrical power by