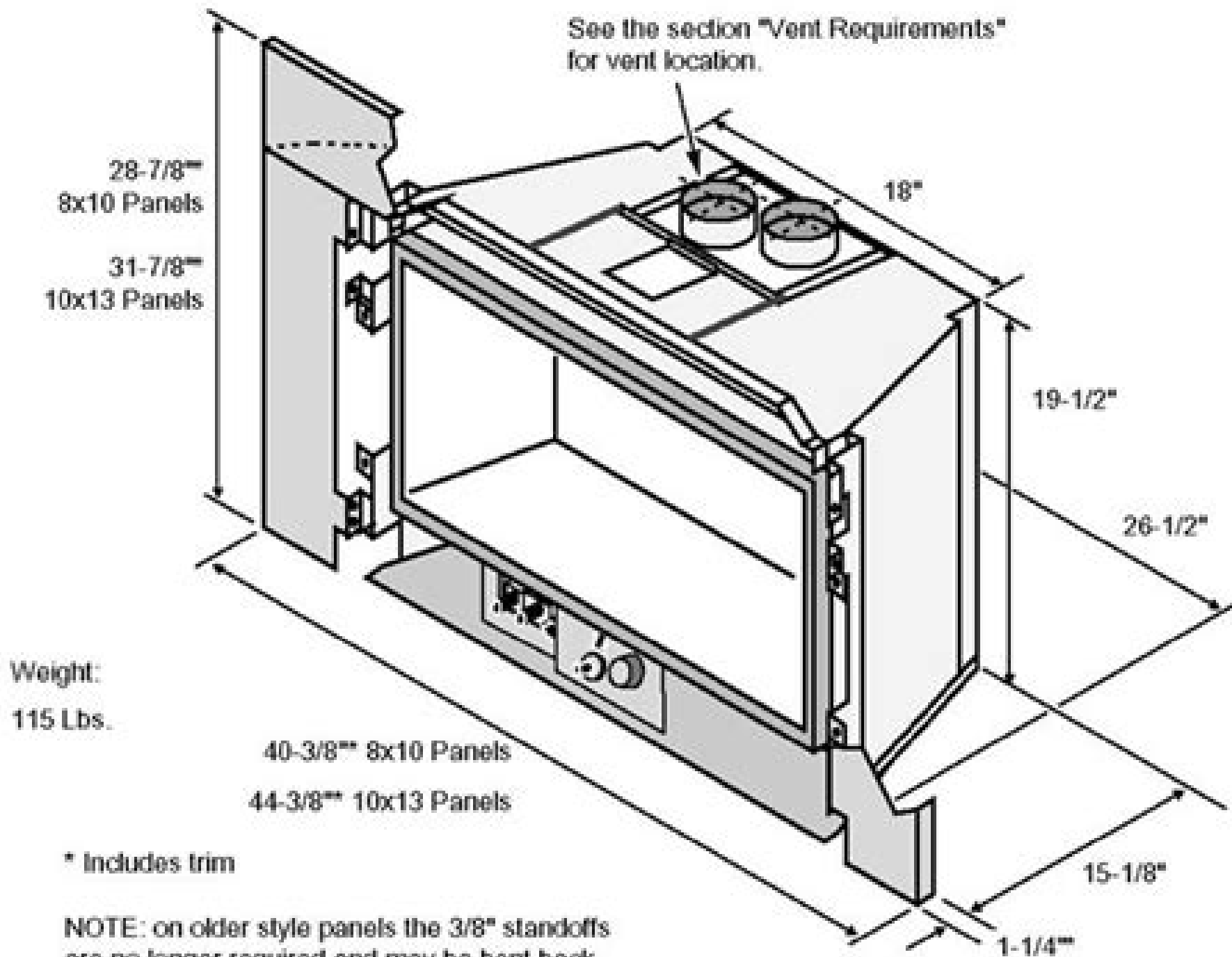


See the section "Vent Requirements"  
for vent location.



# Gas Fireplace Inserts Installation Instructions

**J Elliott**



## **Gas Fireplace Inserts Installation Instructions:**

The Enigmatic Realm of **Gas Fireplace Inserts Installation Instructions**: Unleashing the Language is Inner Magic

In a fast-paced digital era where connections and knowledge intertwine, the enigmatic realm of language reveals its inherent magic. Its capacity to stir emotions, ignite contemplation, and catalyze profound transformations is nothing lacking extraordinary. Within the captivating pages of **Gas Fireplace Inserts Installation Instructions** a literary masterpiece penned by way of a renowned author, readers set about a transformative journey, unlocking the secrets and untapped potential embedded within each word. In this evaluation, we shall explore the book's core themes, assess its distinct writing style, and delve into its lasting impact on the hearts and minds of those that partake in its reading experience.

[https://staging.conocer.cide.edu/book/scholarship/Documents/Genetic\\_Factors\\_In\\_Atherosclerosis\\_Approaches\\_And\\_Model\\_Systems.pdf](https://staging.conocer.cide.edu/book/scholarship/Documents/Genetic_Factors_In_Atherosclerosis_Approaches_And_Model_Systems.pdf)

## **Table of Contents Gas Fireplace Inserts Installation Instructions**

1. Understanding the eBook Gas Fireplace Inserts Installation Instructions
  - The Rise of Digital Reading Gas Fireplace Inserts Installation Instructions
  - Advantages of eBooks Over Traditional Books
2. Identifying Gas Fireplace Inserts Installation Instructions
  - Exploring Different Genres
  - Considering Fiction vs. Non-Fiction
  - Determining Your Reading Goals
3. Choosing the Right eBook Platform
  - Popular eBook Platforms
  - Features to Look for in an Gas Fireplace Inserts Installation Instructions
  - User-Friendly Interface
4. Exploring eBook Recommendations from Gas Fireplace Inserts Installation Instructions
  - Personalized Recommendations
  - Gas Fireplace Inserts Installation Instructions User Reviews and Ratings

- Gas Fireplace Inserts Installation Instructions and Bestseller Lists
- 5. Accessing Gas Fireplace Inserts Installation Instructions Free and Paid eBooks
  - Gas Fireplace Inserts Installation Instructions Public Domain eBooks
  - Gas Fireplace Inserts Installation Instructions eBook Subscription Services
  - Gas Fireplace Inserts Installation Instructions Budget-Friendly Options
- 6. Navigating Gas Fireplace Inserts Installation Instructions eBook Formats
  - ePub, PDF, MOBI, and More
  - Gas Fireplace Inserts Installation Instructions Compatibility with Devices
  - Gas Fireplace Inserts Installation Instructions Enhanced eBook Features
- 7. Enhancing Your Reading Experience
  - Adjustable Fonts and Text Sizes of Gas Fireplace Inserts Installation Instructions
  - Highlighting and Note-Taking Gas Fireplace Inserts Installation Instructions
  - Interactive Elements Gas Fireplace Inserts Installation Instructions
- 8. Staying Engaged with Gas Fireplace Inserts Installation Instructions
  - Joining Online Reading Communities
  - Participating in Virtual Book Clubs
  - Following Authors and Publishers Gas Fireplace Inserts Installation Instructions
- 9. Balancing eBooks and Physical Books Gas Fireplace Inserts Installation Instructions
  - Benefits of a Digital Library
  - Creating a Diverse Reading Collection Gas Fireplace Inserts Installation Instructions
- 10. Overcoming Reading Challenges
  - Dealing with Digital Eye Strain
  - Minimizing Distractions
  - Managing Screen Time
- 11. Cultivating a Reading Routine Gas Fireplace Inserts Installation Instructions
  - Setting Reading Goals Gas Fireplace Inserts Installation Instructions
  - Carving Out Dedicated Reading Time
- 12. Sourcing Reliable Information of Gas Fireplace Inserts Installation Instructions
  - Fact-Checking eBook Content of Gas Fireplace Inserts Installation Instructions
  - Distinguishing Credible Sources

13. Promoting Lifelong Learning
  - Utilizing eBooks for Skill Development
  - Exploring Educational eBooks
14. Embracing eBook Trends
  - Integration of Multimedia Elements
  - Interactive and Gamified eBooks

### **Gas Fireplace Inserts Installation Instructions Introduction**

In the digital age, access to information has become easier than ever before. The ability to download Gas Fireplace Inserts Installation Instructions has revolutionized the way we consume written content. Whether you are a student looking for course material, an avid reader searching for your next favorite book, or a professional seeking research papers, the option to download Gas Fireplace Inserts Installation Instructions has opened up a world of possibilities. Downloading Gas Fireplace Inserts Installation Instructions provides numerous advantages over physical copies of books and documents. Firstly, it is incredibly convenient. Gone are the days of carrying around heavy textbooks or bulky folders filled with papers. With the click of a button, you can gain immediate access to valuable resources on any device. This convenience allows for efficient studying, researching, and reading on the go. Moreover, the cost-effective nature of downloading Gas Fireplace Inserts Installation Instructions has democratized knowledge. Traditional books and academic journals can be expensive, making it difficult for individuals with limited financial resources to access information. By offering free PDF downloads, publishers and authors are enabling a wider audience to benefit from their work. This inclusivity promotes equal opportunities for learning and personal growth. There are numerous websites and platforms where individuals can download Gas Fireplace Inserts Installation Instructions. These websites range from academic databases offering research papers and journals to online libraries with an expansive collection of books from various genres. Many authors and publishers also upload their work to specific websites, granting readers access to their content without any charge. These platforms not only provide access to existing literature but also serve as an excellent platform for undiscovered authors to share their work with the world. However, it is essential to be cautious while downloading Gas Fireplace Inserts Installation Instructions. Some websites may offer pirated or illegally obtained copies of copyrighted material. Engaging in such activities not only violates copyright laws but also undermines the efforts of authors, publishers, and researchers. To ensure ethical downloading, it is advisable to utilize reputable websites that prioritize the legal distribution of content. When downloading Gas Fireplace Inserts Installation Instructions, users should also consider the potential security risks associated with online platforms. Malicious actors may exploit vulnerabilities in unprotected websites to distribute malware or steal personal information. To protect

themselves, individuals should ensure their devices have reliable antivirus software installed and validate the legitimacy of the websites they are downloading from. In conclusion, the ability to download Gas Fireplace Inserts Installation Instructions has transformed the way we access information. With the convenience, cost-effectiveness, and accessibility it offers, free PDF downloads have become a popular choice for students, researchers, and book lovers worldwide. However, it is crucial to engage in ethical downloading practices and prioritize personal security when utilizing online platforms. By doing so, individuals can make the most of the vast array of free PDF resources available and embark on a journey of continuous learning and intellectual growth.

### **FAQs About Gas Fireplace Inserts Installation Instructions Books**

How do I know which eBook platform is the best for me? Finding the best eBook platform depends on your reading preferences and device compatibility. Research different platforms, read user reviews, and explore their features before making a choice. Are free eBooks of good quality? Yes, many reputable platforms offer high-quality free eBooks, including classics and public domain works. However, make sure to verify the source to ensure the eBook credibility. Can I read eBooks without an eReader? Absolutely! Most eBook platforms offer web-based readers or mobile apps that allow you to read eBooks on your computer, tablet, or smartphone. How do I avoid digital eye strain while reading eBooks? To prevent digital eye strain, take regular breaks, adjust the font size and background color, and ensure proper lighting while reading eBooks. What the advantage of interactive eBooks? Interactive eBooks incorporate multimedia elements, quizzes, and activities, enhancing the reader engagement and providing a more immersive learning experience. Gas Fireplace Inserts Installation Instructions is one of the best book in our library for free trial. We provide copy of Gas Fireplace Inserts Installation Instructions in digital format, so the resources that you find are reliable. There are also many Ebooks of related with Gas Fireplace Inserts Installation Instructions. Where to download Gas Fireplace Inserts Installation Instructions online for free? Are you looking for Gas Fireplace Inserts Installation Instructions PDF? This is definitely going to save you time and cash in something you should think about.

### **Find Gas Fireplace Inserts Installation Instructions :**

*genetic factors in atherosclerosis approaches and model systems*  
*geographic information systems the microcomputer and modern cartography*  
*genetic manipulation of the early mammalian embryo*

**geometrical methods in the theory of ordinary differential equations grundlehren der mathematischen wissenschaften**

genetics of natural populations the continuing importance of theodosius dobzhansky

**geometry for the clabroom**

**genesis of napoleonic propaganda 1796-1799**

**geochemical aspects of ore formation in**

genesis of perfection adam and eve in jewish and christian imagination

~~genetics of cerebrovascular disease~~

**geologic the natural history tours in the reno area special publications ser no 19**

~~gentle giant the inspiring story of an autistic child~~

~~geographic information systems in oceanography and fisheries~~

genetic differences in chemical carcinogenesis

**geography of pennsylvania**

**Gas Fireplace Inserts Installation Instructions :**

**certified medication aide practice exam flashcards** - May 11 2023

web certified medication aide practice exam 4 5 125 reviews get a hint 3 factors that affect drug absorption click the card to flip age sex weight click the card to flip 1 225

certified medication aide test prep flashcards quizlet - May 31 2022

web the mace is a national medication aide certification exam typically administered to nurse aides who choose to receive additional training to become certified medication aides

**medication aide medication technician practice test questions** - Oct 04 2022

web texas medication aides curriculum the nursing facility administrator licensing branch 512 438 2025 develops educational training and testing curricula the course links

medication administration module texas health and human - Mar 29 2022

web mace medication aide 50 test questions free in most states the mace typically consists of test questions that directly pertain to safe medication therapy the best way

*mace exam ncsbn national council of state boards of nursing* - Apr 29 2022

web the medication aide program is mandated by the texas health and safety code chapter 242 subchapter n 5 with regards to the administration of medications to facility



**med aide state test flashcards quizlet** - Jul 01 2022

web certified medication aide test prep learn with flashcards games and more for free scheduled maintenance saturday december 10 from 10pm to 11pm pst hello quizlet

*test medication aide questions quizlet* - Aug 02 2022

web study with quizlet and memorize flashcards containing terms like drug is affected by many factors all of the following affect drug action except the patient s intelligence the size

**medication aide state exam flashcards quizlet** - Mar 09 2023

web this quiz set has 123 questions discover answers to important practice questions on certified medication aide practice exam

**medication aide program faqs texas health and human services** - Dec 26 2021

web jan 5 2019 graduates of approved medication aide training programs must take and pass a state test called the medication aide certification examination abbreviated as

**edu 2023 07 11t00 00 00 01 subject doc texas certified** - Nov 24 2021

web c and m home health and nurse s aide academy medication aide state exam preparation seminar 10 0 course hours 10 200 00 seminar classroom certificate

texas medication aide practice test quizfeast - Jan 07 2023

web jan 31 2023 1 exam elaborations medication aide state test questions and answers 2023 a graded 100 verified 2 exam elaborations medication aide test

**practice exam i mace exam cram medication aide** - Nov 05 2022

web jan 5 2019 graduates of approved medication aide training programs must take and pass a state test called the medication aide certification examination abbreviated as

**course search results texas workforce commission** - Oct 24 2021

web medication aide 4 identify the legal and ethical implications for the medication aide a need to administer medications as ordered by practitioner b administer medications

texas medication aides basic course curriculum for nursing - Jan 27 2022

web you also must take the medication aide examination which consists of 100 multiple choice questions that cover your knowledge of accurate and safe drug therapy how many

certified medication aide practice exam questions and answers - Dec 06 2022

web mace exam cram medication aide certification exam by linda whitenton marty walker get full access to mace exam cram medication aide certification exam and 60k

**texas medication aides curriculum** - Sep 03 2022

web test medication aide questions quizlet quizlet has study tools to help you learn anything improve your grades and reach your goals with flashcards practice tests and

**free medication aide practice exam** - Feb 25 2022

web effective date december 2018 texas health and human services commission hhsc medication aide program e 416 p o ox 14930 austin texas 78714 9030 instructor

*texas medication aides basic course curriculum* - Sep 22 2021

exam prep questions medication aide certification - Aug 14 2023

web mar 15 2013 mace exam cram medication aide certification exam learn more buy exam prep questions the medication aide is responsible to know the medical

*mace certification exam pearsoncmg com* - Jul 13 2023

web contents at a glance introduction 1 part i orientation and basic concepts chapter 1 what you need to know to prepare for the medication aide certification examination

medication aide program texas health and human - Apr 10 2023

web medication aide state exam 4 8 10 reviews get a hint ad click the card to flip right ear auris dextra click the card to flip 1 127

certified medication aide practice exam quiz practice test - Feb 08 2023

web question 3 factors that affect drug absorption answer age sex weight question seven rights of drug administration answer 1 right resident 2 right medication

*certified medication aide practice exam test 2022 2023* - Jun 12 2023

web nov 6 2022 8 items 1 exam elaborations medication aide test questions and answers 2022 2023 2 exam elaborations certified medication aide practice exam test

*the greatest rock guitar riffs guitar tab book dvd rom* - Oct 10 2023

web nov 1 2015 greatest rock guitar riffs provides a solid repertoire of the most recognizable riffs in the pantheon of rock pop and acoustic music the riffs throughout also come with performance tips settings for your amp and pedals so you can nail the tone and juicy tidbits on the origins of the music

paperback nov 1 2015 amazon ca low prices - Sep 28 2022

web nov 1 2015 greatest rock guitar riffs provides a solid repertoire of the most recognizable riffs in the pantheon of rock pop and acoustic music the riffs throughout also come with performance tips settings for your amp and pedals so you can nail

the tone and juicy tidbits on the origins of the music

*the greatest rock guitar riffs guitar tab book dvd rom* - Mar 03 2023

web a monster riff of course greatest rock guitar riffs provides a solid repertoire of the most recognizable riffs in the pantheon of rock pop and acoustic music the riffs throughout also come with performance tips settings for your amp and pedals so you can nail the tone and juicy tidbits on the origins of the music

*the greatest rock guitar riffs guitar tab book dvd rom* - Apr 23 2022

web the greatest rock guitar riffs guitar tab book dvd rom paperback the greatest rock guitar riffs guitar tab book dvd rom paperback by alfred music other 19 99 in stock at our warehouse ships in 5 12 business days add to wish list description about the author details

**greatest rock guitar riffs guitar tab edition book dvd rom** - Aug 08 2023

web description you ve started learning the guitar what s the first thing you want to play a monster riff of course greatest rock guitar riffs provides a solid repertoire of the most recognizable riffs in the pantheon of rock pop and acoustic music

[the greatest rock guitar riffs guitar tab book dvd rom by](#) - Apr 04 2023

web find many great new used options and get the best deals for the greatest rock guitar riffs guitar tab book dvd rom by alfred publishing paperback 2015 at the best online prices at ebay free delivery for many products

**the greatest rock guitar riffs guitar tab book dvd rom** - Jul 07 2023

web nov 1 2015 greatest rock guitar riffs provides a solid repertoire of the most recognizable riffs in the pantheon of rock pop and acoustic music the riffs throughout also come with performance tips settings for your amp and pedals so you can nail the tone and juicy tidbits on the origins of the music

**the greatest rock guitar riffs guitar tab book dvd rom** - May 05 2023

web the greatest rock guitar riffs guitar tab book dvd rom alfred music amazon sg books

**the greatest rock guitar riffs guitar tab book dvd rom** - Jun 25 2022

web the greatest rock guitar riffs guitar tab book dvd rom paperback by alfred music other 19 99 add to wish list not in stock available to ship in 3 5 days

**the greatest rock guitar riffs guitar tab book dvd rom by** - Feb 19 2022

web buy the greatest rock guitar riffs guitar tab book dvd rom by alfred music online on amazon ae at best prices fast and free shipping free returns cash on delivery available on eligible purchase

*the greatest rock guitar riffs guitar tab book dvd rom* - Aug 28 2022

web the greatest rock guitar riffs guitar tab book dvd rom alfred music amazon es libros

**the greatest rock guitar riffs guitar tab book dvd rom** - Sep 09 2023

web a monster riff of course greatest rock guitar riffs provides a solid repertoire of the most recognizable riffs in the pantheon of rock pop and acoustic music the riffs throughout also come with performance tips settings for your amp and pedals so you can nail the tone and juicy tidbits on the origins of the music

**the greatest rock guitar riffs guitar tab book dvd rom** - Mar 23 2022

web buy the greatest rock guitar riffs guitar tab book dvd rom paperback book by alfred music from as low as 19 99

[the greatest rock guitar riffs guitar tab book dvd rom](#) - Jan 01 2023

web you ve started learning the guitar what s the first thing you want to play a monster riff of course greatest rock guitar riffs provides a solid repertoire of the most recognizable riffs in the pantheon of rock pop and acoustic music

**the greatest rock guitar riffs guitar tab book dvd rom** - May 25 2022

web the greatest rock guitar riffs guitar tab book dvd rom paperback the greatest rock guitar riffs guitar tab book dvd rom paperback by alfred music other 19 99 in stock at publisher usually ships to store in 3 5 business days description about the author details

*the greatest rock guitar riffs guitar tab book and dvd* - Jun 06 2023

web find many great new used options and get the best deals for the greatest rock guitar riffs guitar tab book and dvd rom 2015 trade paperback at the best online prices at ebay free shipping for many products

[the greatest rock guitar riffs guitar tab book dvd rom](#) - Oct 30 2022

web the greatest rock guitar riffs guitar tab book dvd rom paperback 2015 lowest prices on pricerunner compare prices from 2 stores

[the greatest rock guitar riffs guitar tab book dvd rom amazon de](#) - Nov 30 2022

web the greatest rock guitar riffs guitar tab book dvd rom alfred music isbn 9781470623425 kostenloser versand für alle bücher mit versand und verkauf duch amazon

**the greatest rock guitar riffs guitar tab book dvd rom** - Jul 27 2022

web you ve began learning the guitar what s the very first thing you wish to have to play a monster riff of course greatest rock guitar riffs provides a solid

[the greatest rock guitar riffs guitar tab book dvd rom](#) - Feb 02 2023

web nov 1 2015 greatest rock guitar riffs provides a solid repertoire of the most recognizable riffs in the pantheon of rock pop and acoustic music the riffs throughout also come with performance tips settings for your amp and pedals so you can nail the tone and juicy tidbits on the origins of the music

*math test for second grade end of term test* - May 18 2023

web this end of the year focus test was designed to help teachers see the progress of their students at the end of 2nd grade it

could also be given at the beginning of 3rd grade to

*beginning and end of the year math pre post tests* - Sep 22 2023

web second grade assessments end of the year mid march to early june evaluate how much students have learned during the school year with these assessment worksheets

results for end of 2nd grade test tpt - Jan 14 2023

web this is a cumulative math assessment based on the 2nd grade go math curriculum there are at least one or two questions per chapter subject in the curriculum and each

**results for 2nd grade reading end of the year test tpt** - Aug 09 2022

web oct 7 2021 singapore year end examinations for primary 3 and 4 students will be cancelled to allow more time for curriculum recovery due to disruptions from covid 19

**gcse and a level exams 2022 what you need to know bbc** - Dec 01 2021

**end of year math assessment grade 2 learn bright** - Jul 20 2023

web math test for second 2nd grade this is an end of term test for children ending grade 2 it could also serve as a placement test for third 3rd graders it contains exercises on

grade 2 end of the year test math mammoth - Jun 19 2023

web our new grade 2 end of year test caters to mental strategies to evaluate our learners understanding of place value addition and subtraction within 20 they can also

**quiz and swap 2nd grade end of year review** - Feb 15 2023

web 2nd grade end of the year test displaying top 8 worksheets found for 2nd grade end of the year test some of the worksheets for this concept are grade 2 end of the year

**results for 2nd grade end of the year test ela tpt** - Apr 05 2022

web mar 7 2022 over the last few years the ministry of education moe has removed mid year examinations for primary 3 primary 5 secondary 1 and secondary 3 students

**year end exams for p3 and p4 pupils cancelled the new paper** - Feb 03 2022

web secondary test papers in year 2022 show testpapers from choose level choose subject choose type choose school sponsored links title sec 4 2022 additional

2nd grade go math end of year test by multi age mountain - Oct 11 2022

web worksheets are end of second grade assessment cumulative reading grade 2 end of the year test assessment for the california mathematics standards grade 2 grade 2

**grade 2 assessments grade level reading tests** - Sep 10 2022

web end of year test grade2 free download as pdf file pdf text file txt or read online for free mathematics year 2 end exam

*end of 2nd grade test worksheets k12 workbook* - Jul 08 2022

web the 2nd grade ela topics include nouns pronouns irregular verbs adjectives adverbs and many more which are perfect for review and end of the year activity in centers

**2nd grade end of year testing teaching resources tpt** - Mar 16 2023

web nov 16 2023 the registration for 2023 singapore cambridge gce n t and n a level year end examinations will commence from wednesday 29 march 2023 to tuesday 11

[national examinations dates moe](#) - Dec 13 2022

web end of year grade 2 fluencies this assessment may be useful in determining a student is reading at the proficient level at the end of grade 2 gr 2 eoy teacher booklet rl pdf

**end of the year test grade 2 answer key math mammoth** - Mar 04 2022

web may 12 2022 exam boards will look at 2019 the last year exams were sat as normal and teachers assessments of grade levels in 2021 and take a mid point between the two

**secondary school test papers singapore in year 2022** - Oct 31 2021

**grade 2 end of the year test math mammoth** - Oct 23 2023

web jul 2 2021 this free resource includes a beginning of the year math pre test along with a matching end of the year post test to track student s growth graphs are included for

**year end exams cancelled for primary 3 and 4 students moe** - May 06 2022

web oct 8 2021 ang qing singapore news year end examinations for primary 3 and primary 4 pupils will be cancelled in an unprecedented move by the ministry of

*2nd grade end of the year test worksheets learny kids* - Nov 12 2022

web 2nd grade end of year reading test aligned to wonders created by kmwhyte s kreations if you re looking for an end of the year assessment for reading and language

*no more mid year exams for s pore primary secondary levels* - Jan 02 2022

**second grade assessments end of the year mid march to early** - Aug 21 2023

web grade 2 end of the year test instructions to the teacher my suggestion for grading is below the total is 134 points a score of 107 points is 80 math mammoth end of year

*2nd grade end of year test booklet common core aligned - Apr 17 2023*

web results for end of 2nd grade test 9 100 results sort by relevance view list 2nd grade end of the year math focus test

benchmark new teks created by top of texas

end of year test grade2 pdf scribd - Jun 07 2022

web end of the year test grade 2 answer key international version canada 1 a 13 18 11 15 b 11 13 12 12 c 16 12 11 12 d 14  
14 14 17 2 a 9 8 7 4 b 8 4 8 8 c 9 8 9 9