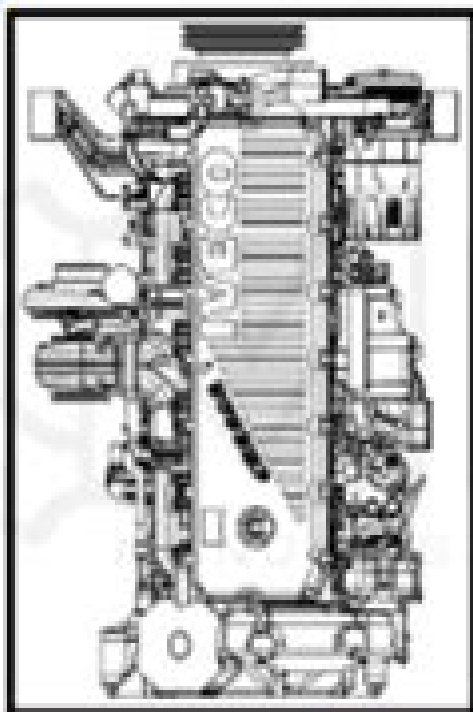


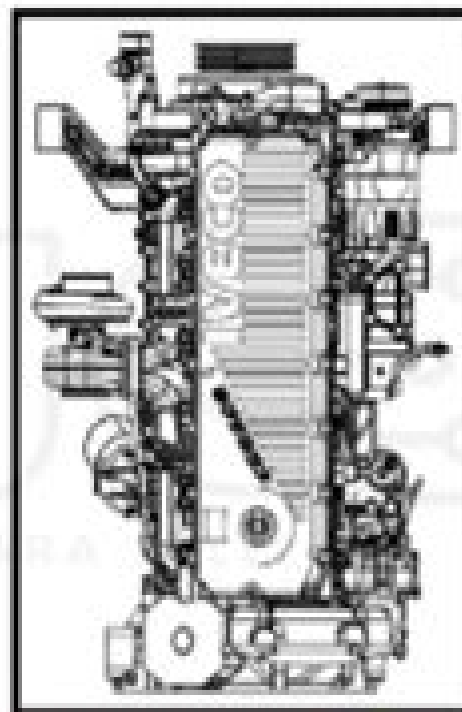
**IVECO**

**Cursor 9**



Technical Code

F2CE9684A\*E004  
F2CE9684B\*E001  
F2CE9684C\*E001  
F2CE9684D\*E001  
F2CE9684C\*E002  
F2CE9684E\*E002  
F2CE9684H\*E003  
F2CE9684L\*E005



**Cursor Series C9**

# Ford Iveco Cursor Workshop Manual

**Ford Motor Company. Service  
merchandising and training - car sales**

## **Ford Iveco Cursor Workshop Manual:**

Workshop Manual ,1967     **Cortina Workshop Manual** Ford Motor Company. Service merchandising and training - car sales,1969     **FORD WORKSHOP MANUAL (PRE-WAR)** Ford USA,2015-01-24     **Workshop Manual for All Ford Motor Cars (1920)** Howard Pile,2010     **Ford Transit Diesel 00-06 Owners Workshop Manual** John S. Mead,2014  
*Ford Focus Diesel* Martynn Randall,2013     *Cortina Workshop Manual* ,1966     *Ford Transit Connect Diesel (02-10)* Mark Storey,2011 Vans with diesel engines 1 8 litre 1753cc Does not cover petrol or LPG engines Does not cover specialist bodywork conversions     Ford Escort & Orion Owner's Workshop Manual Ian Coomber,1992     Ford Series Truck Ford Motor Company,1979     Ford Mondeo Oct 2000 to Jul 2003 (X to 03 Reg) Petrol & Diesel A. K. Legg,Peter T. Gill,2003 Hatchback Saloon Estate including special limited editions Does NOT cover ST220 models or facelifted range introduced July 2003 Petrol 1 8 litre 1798cc 2 0 litre 1999cc 4 cyl 2 5 litre 2495 2499 2544cc V6 Does NOT cover 3 0 litre V6 petrol engine Turbo Diesel 2 0 litre 1998cc     **Ford Orion Owners Workshop Manual** Ian Coomber,1993     *Cortina Workshop Manual* Ford Motor Company,1972     **Ford Cortina Mk IV 1.6 & 2.0 Owners Workshop Manual** John Harold Haynes,1990  
**'68 Cortina Supplementary Workshop Manual** Ford Motor Company. Service merchandising and training - car sales,1967     *Ford Cortina MK IV 1300 Owners Workshop Manual ...* John Harold Haynes,Peter G. Strasman,1978     *Ford Orion Owners Workshop Manual* I. M. Coomber,1987     Repair Manual Ford Motor Company,1960     *Ford Capri 2. 8i Workshop Manual Supplement* Brooklands Books,1993-07-01     **Ford Cortina T.C. Six Cylinder Workshop Manual** Ford Motor Company of Australia,198?

Ford Iveco Cursor Workshop Manual: Bestsellers in 2023 The year 2023 has witnessed a remarkable surge in literary brilliance, with numerous compelling novels enthraling the hearts of readers worldwide. Lets delve into the realm of bestselling books, exploring the fascinating narratives that have enthralled audiences this year. Ford Iveco Cursor Workshop Manual : Colleen Hoover's "It Ends with Us" This poignant tale of love, loss, and resilience has gripped readers with its raw and emotional exploration of domestic abuse. Hoover masterfully weaves a story of hope and healing, reminding us that even in the darkest of times, the human spirit can triumph. Ford Iveco Cursor Workshop Manual : Taylor Jenkins Reids "The Seven Husbands of Evelyn Hugo" This spellbinding historical fiction novel unravels the life of Evelyn Hugo, a Hollywood icon who defies expectations and societal norms to pursue her dreams. Reids captivating storytelling and compelling characters transport readers to a bygone era, immersing them in a world of glamour, ambition, and self-discovery. Discover the Magic : Delia Owens "Where the Crawdads Sing" This captivating coming-of-age story follows Kya Clark, a young woman who grows up alone in the marshes of North Carolina. Owens crafts a tale of resilience, survival, and the transformative power of nature, captivating readers with its evocative prose and mesmerizing setting. These bestselling novels represent just a fraction of the literary treasures that have emerged in 2023. Whether you seek tales of romance, adventure, or personal growth, the world of literature offers an abundance of captivating stories waiting to be discovered. The novel begins with Richard Pape, a bright but troubled young man, arriving at Hampden College. Richard is immediately drawn to the group of students who call themselves the Classics Club. The club is led by Henry Winter, a brilliant and charismatic young man. Henry is obsessed with Greek mythology and philosophy, and he quickly draws Richard into his world. The other members of the Classics Club are equally as fascinating. Bunny Corcoran is a wealthy and spoiled young man who is always looking for a good time. Charles Tavis is a quiet and reserved young man who is deeply in love with Henry. Camilla Macaulay is a beautiful and intelligent young woman who is drawn to the power and danger of the Classics Club. The students are all deeply in love with Morrow, and they are willing to do anything to please him. Morrow is a complex and mysterious figure, and he seems to be manipulating the students for his own purposes. As the students become more involved with Morrow, they begin to commit increasingly dangerous acts. The Secret History is an exceptional and gripping novel that will keep you speculating until the very end. The novel is a cautionary tale about the dangers of obsession and the power of evil.

[https://staging.conocer.cide.edu/files/uploaded-files/Download\\_PDFS/Forensic%20Photography.pdf](https://staging.conocer.cide.edu/files/uploaded-files/Download_PDFS/Forensic%20Photography.pdf)

---

## Table of Contents Ford Iveco Cursor Workshop Manual

1. Understanding the eBook Ford Iveco Cursor Workshop Manual
  - The Rise of Digital Reading Ford Iveco Cursor Workshop Manual
  - Advantages of eBooks Over Traditional Books
2. Identifying Ford Iveco Cursor Workshop Manual
  - Exploring Different Genres
  - Considering Fiction vs. Non-Fiction
  - Determining Your Reading Goals
3. Choosing the Right eBook Platform
  - Popular eBook Platforms
  - Features to Look for in an Ford Iveco Cursor Workshop Manual
  - User-Friendly Interface
4. Exploring eBook Recommendations from Ford Iveco Cursor Workshop Manual
  - Personalized Recommendations
  - Ford Iveco Cursor Workshop Manual User Reviews and Ratings
  - Ford Iveco Cursor Workshop Manual and Bestseller Lists
5. Accessing Ford Iveco Cursor Workshop Manual Free and Paid eBooks
  - Ford Iveco Cursor Workshop Manual Public Domain eBooks
  - Ford Iveco Cursor Workshop Manual eBook Subscription Services
  - Ford Iveco Cursor Workshop Manual Budget-Friendly Options
6. Navigating Ford Iveco Cursor Workshop Manual eBook Formats
  - ePub, PDF, MOBI, and More
  - Ford Iveco Cursor Workshop Manual Compatibility with Devices
  - Ford Iveco Cursor Workshop Manual Enhanced eBook Features
7. Enhancing Your Reading Experience
  - Adjustable Fonts and Text Sizes of Ford Iveco Cursor Workshop Manual
  - Highlighting and Note-Taking Ford Iveco Cursor Workshop Manual
  - Interactive Elements Ford Iveco Cursor Workshop Manual
8. Staying Engaged with Ford Iveco Cursor Workshop Manual

- 
- Joining Online Reading Communities
  - Participating in Virtual Book Clubs
  - Following Authors and Publishers Ford Iveco Cursor Workshop Manual
9. Balancing eBooks and Physical Books Ford Iveco Cursor Workshop Manual
- Benefits of a Digital Library
  - Creating a Diverse Reading Collection Ford Iveco Cursor Workshop Manual
10. Overcoming Reading Challenges
- Dealing with Digital Eye Strain
  - Minimizing Distractions
  - Managing Screen Time
11. Cultivating a Reading Routine Ford Iveco Cursor Workshop Manual
- Setting Reading Goals Ford Iveco Cursor Workshop Manual
  - Carving Out Dedicated Reading Time
12. Sourcing Reliable Information of Ford Iveco Cursor Workshop Manual
- Fact-Checking eBook Content of Ford Iveco Cursor Workshop Manual
  - Distinguishing Credible Sources
13. Promoting Lifelong Learning
- Utilizing eBooks for Skill Development
  - Exploring Educational eBooks
14. Embracing eBook Trends
- Integration of Multimedia Elements
  - Interactive and Gamified eBooks

## **Ford Iveco Cursor Workshop Manual Introduction**

Free PDF Books and Manuals for Download: Unlocking Knowledge at Your Fingertips In today's fast-paced digital age, obtaining valuable knowledge has become easier than ever. Thanks to the internet, a vast array of books and manuals are now available for free download in PDF format. Whether you are a student, professional, or simply an avid reader, this treasure trove of downloadable resources offers a wealth of information, conveniently accessible anytime, anywhere. The advent of online libraries and platforms dedicated to sharing knowledge has revolutionized the way we consume information. No longer confined to physical libraries or bookstores, readers can now access an extensive collection of digital books and

manuals with just a few clicks. These resources, available in PDF, Microsoft Word, and PowerPoint formats, cater to a wide range of interests, including literature, technology, science, history, and much more. One notable platform where you can explore and download free Ford Iveco Cursor Workshop Manual PDF books and manuals is the internet's largest free library. Hosted online, this catalog compiles a vast assortment of documents, making it a veritable goldmine of knowledge. With its easy-to-use website interface and customizable PDF generator, this platform offers a user-friendly experience, allowing individuals to effortlessly navigate and access the information they seek. The availability of free PDF books and manuals on this platform demonstrates its commitment to democratizing education and empowering individuals with the tools needed to succeed in their chosen fields. It allows anyone, regardless of their background or financial limitations, to expand their horizons and gain insights from experts in various disciplines. One of the most significant advantages of downloading PDF books and manuals lies in their portability. Unlike physical copies, digital books can be stored and carried on a single device, such as a tablet or smartphone, saving valuable space and weight. This convenience makes it possible for readers to have their entire library at their fingertips, whether they are commuting, traveling, or simply enjoying a lazy afternoon at home. Additionally, digital files are easily searchable, enabling readers to locate specific information within seconds. With a few keystrokes, users can search for keywords, topics, or phrases, making research and finding relevant information a breeze. This efficiency saves time and effort, streamlining the learning process and allowing individuals to focus on extracting the information they need. Furthermore, the availability of free PDF books and manuals fosters a culture of continuous learning. By removing financial barriers, more people can access educational resources and pursue lifelong learning, contributing to personal growth and professional development. This democratization of knowledge promotes intellectual curiosity and empowers individuals to become lifelong learners, promoting progress and innovation in various fields. It is worth noting that while accessing free Ford Iveco Cursor Workshop Manual PDF books and manuals is convenient and cost-effective, it is vital to respect copyright laws and intellectual property rights. Platforms offering free downloads often operate within legal boundaries, ensuring that the materials they provide are either in the public domain or authorized for distribution. By adhering to copyright laws, users can enjoy the benefits of free access to knowledge while supporting the authors and publishers who make these resources available. In conclusion, the availability of Ford Iveco Cursor Workshop Manual free PDF books and manuals for download has revolutionized the way we access and consume knowledge. With just a few clicks, individuals can explore a vast collection of resources across different disciplines, all free of charge. This accessibility empowers individuals to become lifelong learners, contributing to personal growth, professional development, and the advancement of society as a whole. So why not unlock a world of knowledge today? Start exploring the vast sea of free PDF books and manuals waiting to be discovered right at your fingertips.

---

## FAQs About Ford Iveco Cursor Workshop Manual Books

How do I know which eBook platform is the best for me? Finding the best eBook platform depends on your reading preferences and device compatibility. Research different platforms, read user reviews, and explore their features before making a choice. Are free eBooks of good quality? Yes, many reputable platforms offer high-quality free eBooks, including classics and public domain works. However, make sure to verify the source to ensure the eBook credibility. Can I read eBooks without an eReader? Absolutely! Most eBook platforms offer webbased readers or mobile apps that allow you to read eBooks on your computer, tablet, or smartphone. How do I avoid digital eye strain while reading eBooks? To prevent digital eye strain, take regular breaks, adjust the font size and background color, and ensure proper lighting while reading eBooks. What the advantage of interactive eBooks? Interactive eBooks incorporate multimedia elements, quizzes, and activities, enhancing the reader engagement and providing a more immersive learning experience. Ford Iveco Cursor Workshop Manual is one of the best book in our library for free trial. We provide copy of Ford Iveco Cursor Workshop Manual in digital format, so the resources that you find are reliable. There are also many Ebooks of related with Ford Iveco Cursor Workshop Manual. Where to download Ford Iveco Cursor Workshop Manual online for free? Are you looking for Ford Iveco Cursor Workshop Manual PDF? This is definitely going to save you time and cash in something you should think about. If you trying to find then search around for online. Without a doubt there are numerous these available and many of them have the freedom. However without doubt you receive whatever you purchase. An alternate way to get ideas is always to check another Ford Iveco Cursor Workshop Manual. This method for see exactly what may be included and adopt these ideas to your book. This site will almost certainly help you save time and effort, money and stress. If you are looking for free books then you really should consider finding to assist you try this. Several of Ford Iveco Cursor Workshop Manual are for sale to free while some are payable. If you arent sure if the books you would like to download works with for usage along with your computer, it is possible to download free trials. The free guides make it easy for someone to free access online library for download books to your device. You can get free download on free trial for lots of books categories. Our library is the biggest of these that have literally hundreds of thousands of different products categories represented. You will also see that there are specific sites catered to different product types or categories, brands or niches related with Ford Iveco Cursor Workshop Manual. So depending on what exactly you are searching, you will be able to choose e books to suit your own need. Need to access completely for Campbell Biology Seventh Edition book? Access Ebook without any digging. And by having access to our ebook online or by storing it on your computer, you have convenient answers with Ford Iveco Cursor Workshop Manual To get started finding Ford Iveco Cursor Workshop Manual, you are right to find our website which has a comprehensive collection of books online. Our library is the biggest of these that have literally hundreds of thousands of different products represented. You will also see that there are specific sites catered to different categories or niches related with Ford Iveco



Cursor Workshop Manual So depending on what exactly you are searching, you will be able to choose ebook to suit your own need. Thank you for reading Ford Iveco Cursor Workshop Manual. Maybe you have knowledge that, people have search numerous times for their favorite readings like this Ford Iveco Cursor Workshop Manual, but end up in harmful downloads. Rather than reading a good book with a cup of coffee in the afternoon, instead they juggled with some harmful bugs inside their laptop. Ford Iveco Cursor Workshop Manual is available in our book collection an online access to it is set as public so you can download it instantly. Our digital library spans in multiple locations, allowing you to get the most less latency time to download any of our books like this one. Merely said, Ford Iveco Cursor Workshop Manual is universally compatible with any devices to read.

### **Find Ford Iveco Cursor Workshop Manual :**

[forensic photography](#)

[for spirits and kings african art from the paul and ruth tishman collection](#)

[foreign policy of nepal](#)

[for the record vol. 1 from first contact through reconstruction](#)

**foreign aid our tragic experiment**

**foreign trade and u.s. policy**

**forest farm husbandry**

[forever victoria](#)

[forever love white eagle atlantean secrets paperback by sagan samuel](#)

[forbidden experiment](#)

[ford cars 1979-1999 retail box](#)

[foreign industry analysis of critical military and commercial technologies artificial intelligence](#)

[foreign consular offices in the united states 2002 spring/summer](#)

[foreign fictions 25 contemporary stories from canada europe latin america](#)

[force the transformation of social security syste](#)

### **Ford Iveco Cursor Workshop Manual :**

*irrigation engineering from nptel* - Dec 17 2021

web 2 irrigation engineering from nptel 2023 09 16 volume includes papers on the challenges and opportunities facing the

---

education of engineers in the 21st century and

**npTEL civil engineering water management** - Dec 29 2022

web module1 introduction to irrigation water management soil & water plant relationships soil water plant relationships

contd soil water plant relationships continued

**irrigation engineering from npTEL** - Jan 18 2022

web irrigation pumping and drainage systems using excel and visual basic for applications programs are explained for both graduate and undergraduate students and practicing

**npTEL agriculture noc irrigation and drainage** - Jul 04 2023

web lecture 09 irrigation scheduling download 10 lecture 10 introduction download 11 lecture 11 irrigation water

conveyance download 12 lecture 12 irrigation channel

[irrigation engineering npTEL ams istanbul edu tr](http://irrigation-engineering-nptel-ams-istanbul-edu-tr) - Apr 20 2022

web from npTEL irrigation engineering from npTEL recognizing the showing off ways to acquire this book irrigation engineering from npTEL is additionally useful you have

[npTEL civil engineering water resources engineering](http://npTEL-civil-engineering-water-resources-engineering) - Sep 06 2023

web irrigation engineering principles india s irrigation needs and strategies for development soil water plant relationships estimating irrigation demand types of

*noc micro irrigation engineering npTEL* - Oct 27 2022

web course name micro irrigation engineering course abstract water scarcity and inefficient water resource management technologies are the main challenges in developing

**npTEL civil engineering water resources engineering** - Nov 27 2022

web civil engineering water resources engineering video syllabus coordinated by iit kanpur available from 2009 12 31 lec 1

*smart irrigation technology covers more crop per drop mit news* - Mar 20 2022

web oct 25 2023 global engineering and research gear lab researchers from left to right georgia van de zande carolyn sheline and fiona grant pilot a low cost precision

**micro irrigation engineering course swayam npTEL** - Feb 28 2023

web this course will be useful to the graduate post graduate and ph d students of agricultural engineering civil engineering and agricultural science this course will also be

*irrigation and drainage announcements swayam npTEL* - Jun 22 2022

web may 2 2023 irrigation and drainage assignment 10 solution released dear participants the assignment 10 of week 10 solution for the course irrigation and

**irrigation and drainage course swayam nptel** - Oct 07 2023

web agricultural engineering has been applying scientific principles for the optimal use of natural resources in agricultural production for the benefit of humankind this particular course

**irrigation and drainage engineering lecture notes download** - Jul 24 2022

web nptel agriculture noc irrigation and drainage irrigation and drainage engineering lecture irrigation engineering lecture 20 cross drainage work new series

**irrigation engineering from nptel** - Aug 25 2022

web irrigation engineering from nptel 1 irrigation engineering from nptel urban ecology water quality and climate change theoretical and practical approaches to innovation in

*micro irrigation engineering announcements nptel* - Sep 25 2022

web may 2 2023 micro irrigation engineering assignment 0 released dear learners we welcome you all to this course the assignment 0 for the course micro irrigation

**nptel iitm** - Jan 30 2023

web nptel course details week 01 lecture 01 micro irrigation introduction and scope lecture 02 fundamentals of fluid mechanics and its application in mi lecture 03 soil

*irrigation engineering nptel ams istanbul edu tr* - Nov 15 2021

web nptel irrigation engineering from nptel recognizing the showing off ways to acquire this book irrigation engineering from nptel is additionally useful you have remained in

**irrigation engineering from nptel** - Feb 16 2022

web irrigation engineering nptel apocalypseourien be nptel agriculture noc irrigation and drainage ce3030 water resources engineering civil iitm

**nptel iitm** - Jun 03 2023

web for any queries regarding the nptel website availability of courses or issues in accessing courses please contact nptel administrator ic sr 3rd floor iit madras chennai

**nptel agriculture noc micro irrigation engineering** - Apr 01 2023

web agriculture noc micro irrigation engineering video syllabus co ordinated by iit kharagpur available from 2021 05 07 lec 1 modules lectures intro video week 01

**nptel iitm** - Aug 05 2023

web lecture 31 introduction lecture 32 centrifugal pump basics lecture 33 centrifugal pumps power requirement lecture 34 pump characteristic curves lecture 35

[pdf irrigation engineering researchgate](#) - May 22 2022

web jan 2 2023 irrigation engineering is a pioneer work of prof thakur in the field of irrigation prof thakur secured 1st position all over india in two nptel mooc courses

**irrigation and drainage course swayam nptel** - May 02 2023

web in this course we will focus on soil water plant atmosphere relationship crop water requirement irrigation scheduling irrigation water conveyance measurement of

[vom stellenwert der worte frankfurter poetikvorles buch](#) - Nov 06 2022

web entdecke vom stellenwert der worte frankfurter poetikvorles buch zustand sehr gut in großer auswahl vergleichen angebote und preise online kaufen bei ebay kostenlose lieferung für viele artikel

**vom stellenwert der worte frankfurter poetikvorle book** - Jan 08 2023

web vom stellenwert der worte frankfurter poetikvorle embracing the song of phrase an psychological symphony within vom stellenwert der worte stellenwert der worte frankfurter poetikvorle an enchanting fictional treasure full of raw feelings lies an immersive symphony waiting to be embraced constructed by an outstanding musician of

[stellenwert englisch Übersetzung linguae wörterbuch](#) - Apr 30 2022

web viele übersetzte beispielsätze mit stellenwert englisch deutsch wörterbuch und suchmaschine für millionen von englisch Übersetzungen

**vom stellenwert der worte frankfurter poetikvorle download** - Oct 05 2022

web vom stellenwert der worte frankfurter poetikvorle wozu dichter die kunst in der gesellschaft il bosco bianco vorlesungsszenen der gegenwartsliteratur die gewalt der zeichen vom stellenwert der worte antikenkonfigurationen in der deutschsprachigen lyrik nach 1990 dr siebenhaar s archiv für deutsches wechselrecht und handelsrecht

**stellenwert Übersetzung englisch deutsch dict cc** - Mar 30 2022

web 2 wörter pol social social significance gesellschaftlicher stellenwert m 3 wörter top ranking adj von hohem stellenwert important adj von hohem stellenwert nachgestellt 4 wörter to play an important essential role einen hohen stellenwert besitzen to take on an important role einen hohen stellenwert einnehmen to rate high

**vom stellenwert der worte frankfurter poetikvorlesung 2009 edition** - May 12 2023

web vom stellenwert der worte frankfurter poetikvorlesung 2009 edition suhrkamp grünbein durs isbn 9783518061404 kostenloser versand für alle bücher mit versand und verkauf duch amazon

[vom stellenwert der worte frankfurter poetikvorlesung 2009](#) - Apr 11 2023

web vom stellenwert der worte frankfurter poetikvorlesung 2009 ebook written by durs grünbein read this book using google play books app on your pc android ios devices download for offline reading highlight bookmark or take notes while you read

vom stellenwert der worte frankfurter poetikvorlesung 2009

**vom stellenwert der worte frankfurter poetikvorle pdf** - Feb 09 2023

web worte frankfurter poetikvorle a captivating function of fictional brilliance that impulses with fresh thoughts lies an unique journey waiting to be embarked upon published by a virtuoso wordsmith that

*vom stellenwert der worte frankfurter poetikvorle julia genz* - Jan 28 2022

web vom stellenwert der worte frankfurter poetikvorle vom stellenwert der worte frankfurter poetikvorle 2 downloaded from nysm pfi org on 2023 01 21 by guest funktion kevin kempke widmet sich am frankfurter beispiel den verschiedenen

dimensionen der wissenschaftlich immer noch vernachlässigten form der poetikvorlesung und arbeitet die

*vom stellenwert der worte frankfurter poetikvorle julia genz* - Dec 27 2021

web vom stellenwert der worte frankfurter poetikvorle vom stellenwert der worte frankfurter poetikvorle 2 downloaded from

resources jsheld com on 2020 09 04 by guest poetische und poetologische inhalte ziel des kompendiums ist eine in

mehrfacher hinsicht komparatistische perspektive auf die poetik der gegenwart für interessierte

**vom stellenwert der worte frankfurter poetikvorlesung 2009** - Mar 10 2023

web vom stellenwert der worte frankfurter poetikvorlesung 2009 edition suhrkamp by durs grünbein wikizero durs grünbein

may 21st 2020 nel 2009 trascorre un anno a roma e borsista di villa massimo le lezioni di poetica tenute a

**zitat von johann wolfgang von goethe zum thema werte aphorismen de** - Feb 26 2022

web zitat zum thema werte willst du dich deines wertes freuen so mußt der welt du wert verleihen johann wolfgang von

goethe 1749 1832 gilt als einer der bedeutendsten repräsentanten deutschsprachiger dichtung quelle goethe j w gedichte

ausgabe letzter hand 1827 sprichwörtlich

**vom stellenwert der worte frankfurter poetikvorlesung 2009** - Jun 01 2022

web durs grünbein vom stellenwert der worte frankfurter poetikvorlesung 2009 suhrkamp durs grünbein vom stellenwert der

worte frankfurter poetikvorlesung 2009 suhrkamp verlag berlin 2010 64 seiten 7 00 eur isbn 13 9783518061404 weitere

rezensionen und informationen zum buch vom stellenwert der worte frankfurter poetikvorlesung 2009

vom stellenwert der worte frankfurter poetikvorlesung 2009 - Jun 13 2023

web get this from a library vom stellenwert der worte frankfurter poetikvorlesung 2009 durs grünbein von der feststellung

ausgehend daß eine normenbildende maßstabsetzende poetik nicht mehr existiere zeichnet grünbein seinen dichterischen

werdegang als skizze zu einer persönlichen

*vom stellenwert der worte frankfurter poetikvorle pdf ol wise edu* - Aug 03 2022

web vom stellenwert der worte frankfurter poetikvorle 1 vom stellenwert der worte frankfurter poetikvorle downloaded from

ol wise edu jo by guest julissa danielle frankfurter ober post amts zeitung walter de gruyter gmbh co kg mit der vor hundert

jahren erschienenen h"olderlin ausgabe von norbert von hellingrath begann

[vom stellenwert der worte frankfurter poetikvorle julia genz](#) - Dec 07 2022

web vom stellenwert der worte frankfurter poetikvorle vom stellenwert der worte frankfurter poetikvorle 3 downloaded from donate pfi org on 2022 02 16 by guest literaturwissenschaft eine neue diskussion um bilder bildlichkeit und bildtheorie eingesetzt f"ur die werke durs gr"unbeins wird gefragt welche bedeutung den bildern

**vom stellenwert der worte frankfurter poetikvorle** - Aug 15 2023

web mittelpunkt steht zum einen der frankfurter f"urstentag von 1863 auf dem ein letzter gro"oer versuch zu einer umfassenden bundesreform unternommen wurde den zweiten schwerpunkt bilden die bundespolitischen auswirkungen des schleswig holstein konflikts der seit 1863 zum politischen zerfall des deutschen bundes und schlie"olich zu seiner

**vom stellenwert der worte frankfurter poetikvorle pdf pdf** - Jul 02 2022

web vom stellenwert der worte frankfurter poetikvorle pdf introduction vom stellenwert der worte frankfurter poetikvorle pdf pdf the jib door marlen haushofer 1998 in this novel the protagonist struggles with almost solipsistic isolation alternating with a delight in solitude and routine

[vom stellenwert der worte suhrkamp verlag](#) - Jul 14 2023

web mar 15 2010 durs gr"unbein vom stellenwert der worte frankfurter poetikvorlesung 2009 von der feststellung ausgehend da"o eine normenbildende ma"ostabsetzende poetik nicht mehr existiere zeichnet gr"unbein seinen dichterischen werdegang als skizze zu einer pers"onlichen psychopoetik

[vom stellenwert der worte frankfurter poetikvorle pdf](#) - Sep 04 2022

web mar 6 2023 vom stellenwert der worte frankfurter poetikvorle 2 8 downloaded from uniport edu ng on march 6 2023 by guest selbstentw"urfe keineswegs auf feste identit"aten abzielen sondern in narrativen prozessen der identifizierung st"andig wandelnde ostdeutsche selbstbilder entwerfen dabei spielen verschiedene bezugsrahmen eine

**5 cuentos para maestros de educaci"on infantil eres mam"a** - Mar 18 2023

web oct 7 2022 los cuentos para maestros son uno de los fundamentos para el crecimiento intelectual de los ni"os cuando el maestro les cuenta una historia a sus alumnos puede lograr que ellos entiendan las cosas con facilidad que el cerebro empiece a trabajar y ayude a la memoria

[los mejores cuentos para el d"ia del maestro encuentros](#) - Feb 17 2023

web los mejores cuentos para el d"ia del maestro los dos profesores cuento en homenaje a maestros y profesores los dos profesores juan carlos pisano y mar"ia in"es casal"a escritores argentinos cuento que rinde homenaje a maestros y profesores en sus d"ias en la facultad los alumnos pueden elegir leer m"as

**cuentos para el adi"o padres y maestros by bego"na ibarrola** - Mar 06 2022

web recursos aula de apoyo para maestros y padres los cuentos cuentos para el adiós agapea libros urgentes la biblioteca escolar tim y charo con padres y maestros las 90 mejores imágenes de cuentos con moraleja en 2020 atención temprana y familia

**cuentos para el adiós padres y maestros pdf seminary fbny** - Oct 13 2022

web el árbol de los cuentos así es la vida en los trópicos cuentos para padres que quieran contar un cuento cuento del norte adiós a los padres los cuentos del adiós adiós al jesusitodemivida los colores del adiós el último adiós cuentos para el adiós padres y maestros downloaded from seminary fbny org by guest freddy antony adiós

*cuentos para el adiós padres y maestros pdf* - Aug 23 2023

web 2 cuentos para el adiós padres y maestros 2023 08 04 cuentos populares de bandidos mágicos en guatemala cultivallibros las mil y una noches es la más célebre recopilación de cuentos del mundo sus historias han influido en el desarrollo del género fantástico y atraen por igual a grandes y pequeños lectores

cuentos para el adiós padres y maestros pdf uniport edu - Jun 21 2023

web cuentos para el adiós padres y maestros 2 7 downloaded from uniport edu ng on may 20 2023 by guest libro es cuore corazón y es una de las obras más leídas por niños y adultos en todo el mundo esta obra tuvo un gran éxito y alcanzó a llegar a 41 ediciones dos meses y medio después de su publicación inicial

**cuentos para el adiós padres y maestros copy** - May 08 2022

web el árbol de los cuentos cuentos para el adiós padres y maestros downloaded from solutions milnerbrowne com by guest melton harry los cuentos de canterbury molino en cuentos y misterios el señor hernández nos presenta una solidez y sobriedad de su estética narrativa que se hace manifiesta desde su primera historia el compadre

**cuentos para el adiós padres y maestros 2022** - Feb 05 2022

web un cuento tanto para niños como para madres y padres conoceremos la historia de una pareja y sus deseos de ser papás y como en el camino perdieron algo más que esos deseos una historia breve e intensa escrita desde el corazón

**día del padre 11 cuentos infantiles para leer con los hijos** - Aug 11 2022

web y como toda celebración es buena oportunidad para fomentar y reforzar el hábito de la lectura para este día del padre te recomendamos 11 libros de cuentos infantiles que puedes leer con tus

**cuentos para el adiós begoña ibarrola casa del** - Jul 22 2023

web sinopsis de cuentos para el adiós un libro con cuentos para abordar con los niños temas como el abandono y la pérdida de un ser querido el libro consta de tres partes uno contiene cuentos sobre la pérdida el segundo trata sobre el abandono

**cuentos para el adiós padres y maestros copy uniport edu** - Apr 07 2022

web aug 19 2023 this one merely said the cuentos para el adiós padres y maestros is universally compatible once any

devices to read dramaticos contemporaneos de lpe de vega ramn de mesonero romanos 1859 corazn edmundo de amicis en el libro se cuentan en forma de diario las vivencias de un nio italiano originario de

**cuentos para el adiós padres y maestros gebundene ausgabe amazon de** - May 20 2023

web cuentos para el adiós padres y maestros ibarrola lópez de davalillo begoña isbn 9788467511529 kostenloser versand für alle bücher mit versand und verkauf duch amazon cuentos para el adiós padres y maestros ibarrola lópez de davalillo begoña amazon de bücher

**cuentos para el adiós padres y maestros amazon es** - Sep 24 2023

web cuentos para el adiós padres y maestros tapa dura 6 noviembre 2006 de begoña ibarrola autor 4 7 6 valoraciones ver todos los formatos y ediciones tapa dura un libro con cuentos para leer a los niños y trabajar con ellos el abandono o la pérdida de un ser querido edad de lectura a partir de 5 años longitud de impresión 206 páginas

*cuentos de maestros lo mejor de cuentopía cuentosparadormir* - Jan 16 2023

web cuentos de maestros usa estos breves cuentos para mejorar tu familia te ayudarán a ser mejor padre o madre a que tus hijos sean mejores niños y a que tu bebé se desarrolle emocional e intelectualmente sano abajo tienes nuestra lista de cuentos para niños sobre maestros tocando su icono los podrás leer descargar como pdf o escuchar como mp3

**cuentos para el adios padres y maestros copy uniport edu** - Apr 19 2023

web sep 19 2023 cuentos para el adios padres y maestros hence simple cuentos para el adiós begoña ibarrola 2006 11 06 un libro con cuentos para abordar con los niños temas como el abandono y la pérdida de un ser querido el libro consta de tres partes uno contiene cuentos sobre la pérdida el segundo trata sobre el abandono

*cuentos para el adios padres y maestros full pdf* - Jun 09 2022

web cuentos para el adios padres y maestros 1 cuentos para el adios padres y maestros adiós cordera y otros cuentos cuentos novelas y costumbres adiós cacas adiós tim dice adiós a su abuelo adiós cordera y otros cuentos los colores del adiós el tamagás y otros cuentos los cuentos de andersen cuentos completos vol 2 cuento del norte

**cuentos para el adios padres y maestros pdf** - Jul 10 2022

web los relatos imprescindibles de un libro monumental que ha sido adaptado muchas veces para uso de niños y adolescentes en todos los países de occidente los mejores cuentos de andersen con índice activo universidad de zaragoza

*cuentos para el adios padres y maestros pdf anthony r birley* - Nov 14 2022

web jun 10 2023 este libro nos acompañará en el camino de descubrir que la vida no puede ser igual sin la muerte y que el dolor y el duelo tienen un profundo sentido transformador para el ser humano biblioteca isidro fabela cuentos de parís a mi señor don quijote maestros y amigos isidro fabela 1994 la imagen de los docentes en el cine coor

*cuentos para el adios padres y maestros leopoldo alas pdf* - Sep 12 2022



web cuentos para el adios padres y maestros recognizing the pretentiousness ways to acquire this books cuentos para el adios padres y maestros is additionally useful you have remained in right site to begin getting this info get the cuentos para el adios padres y maestros associate that we find the money for here and check out the link

[cuentos de padres lo mejor de cuentopía cuentosparadormir](#) - Dec 15 2022

web usa estos breves cuentos para mejorar tu familia te ayudarán a ser mejor padre o madre a que tus hijos sean mejores niños y a que tu bebé se desarrolle emocional e intelectualmente sano abajo tienes nuestra lista de cuentos para niños sobre padres tocando su icono los podrás leer descargar como pdf o escuchar como mp3