

21213

4 Hours / 100 Marks

Seat No.

| | | | | | | | |
|---|---|---|---|---|---|---|---|
| 4 | 5 | 9 | 6 | 2 | 8 | - | + |
|---|---|---|---|---|---|---|---|

- Instructions :**
- (1) All Questions are *compulsory*.
 - (2) Illustrate your answers with neat sketches wherever necessary.
 - (3) Figures to the right indicate full marks.
 - (4) Assume suitable data, if necessary.
 - (5) Use of Non-Programmable Electronic Pocket Calculator is permissible.
 - (6) Mobile Phone, Pager and any other Electronic Communication devices are not permissible in Examination Hall.
 - (7) Use only H/2H grade pencil.

1. (a) A pictorial view of an object is shown in Fig. 1. Draw following views by using 1st Angle method of projection :
- | | |
|---|---|
| (1) Sectional F.V; section along A – A. | 5 |
| (2) Left hand side view. | 5 |

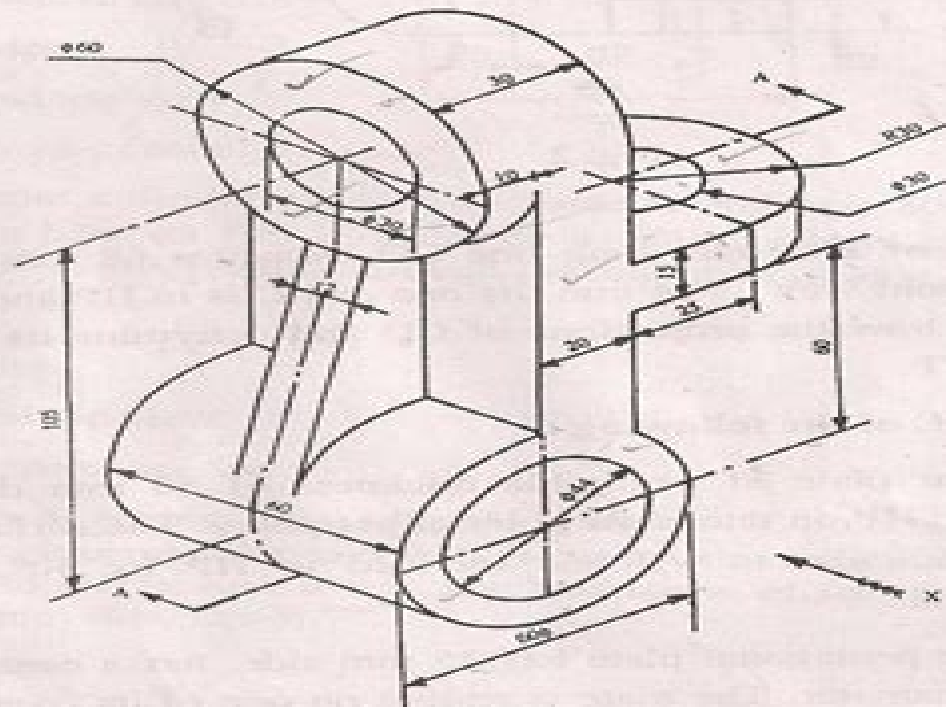


Fig. 1

Engineering Drawing April Examination 2013 Memo

L Cohen



Engineering Drawing April Examination 2013 Memo:

Right here, we have countless book **Engineering Drawing April Examination 2013 Memo** and collections to check out. We additionally give variant types and as well as type of the books to browse. The pleasing book, fiction, history, novel, scientific research, as skillfully as various new sorts of books are readily clear here.

As this Engineering Drawing April Examination 2013 Memo, it ends going on visceral one of the favored book Engineering Drawing April Examination 2013 Memo collections that we have. This is why you remain in the best website to look the amazing book to have.

<https://staging.conocer.cide.edu/About/browse/HomePages/garmin%20forerunner%20910xt%20manual.pdf>

Table of Contents Engineering Drawing April Examination 2013 Memo

1. Understanding the eBook Engineering Drawing April Examination 2013 Memo
 - The Rise of Digital Reading Engineering Drawing April Examination 2013 Memo
 - Advantages of eBooks Over Traditional Books
2. Identifying Engineering Drawing April Examination 2013 Memo
 - Exploring Different Genres
 - Considering Fiction vs. Non-Fiction
 - Determining Your Reading Goals
3. Choosing the Right eBook Platform
 - Popular eBook Platforms
 - Features to Look for in an Engineering Drawing April Examination 2013 Memo
 - User-Friendly Interface
4. Exploring eBook Recommendations from Engineering Drawing April Examination 2013 Memo
 - Personalized Recommendations
 - Engineering Drawing April Examination 2013 Memo User Reviews and Ratings
 - Engineering Drawing April Examination 2013 Memo and Bestseller Lists
5. Accessing Engineering Drawing April Examination 2013 Memo Free and Paid eBooks

- Engineering Drawing April Examination 2013 Memo Public Domain eBooks
 - Engineering Drawing April Examination 2013 Memo eBook Subscription Services
 - Engineering Drawing April Examination 2013 Memo Budget-Friendly Options
6. Navigating Engineering Drawing April Examination 2013 Memo eBook Formats
 - ePub, PDF, MOBI, and More
 - Engineering Drawing April Examination 2013 Memo Compatibility with Devices
 - Engineering Drawing April Examination 2013 Memo Enhanced eBook Features
 7. Enhancing Your Reading Experience
 - Adjustable Fonts and Text Sizes of Engineering Drawing April Examination 2013 Memo
 - Highlighting and Note-Taking Engineering Drawing April Examination 2013 Memo
 - Interactive Elements Engineering Drawing April Examination 2013 Memo
 8. Staying Engaged with Engineering Drawing April Examination 2013 Memo
 - Joining Online Reading Communities
 - Participating in Virtual Book Clubs
 - Following Authors and Publishers Engineering Drawing April Examination 2013 Memo
 9. Balancing eBooks and Physical Books Engineering Drawing April Examination 2013 Memo
 - Benefits of a Digital Library
 - Creating a Diverse Reading Collection Engineering Drawing April Examination 2013 Memo
 10. Overcoming Reading Challenges
 - Dealing with Digital Eye Strain
 - Minimizing Distractions
 - Managing Screen Time
 11. Cultivating a Reading Routine Engineering Drawing April Examination 2013 Memo
 - Setting Reading Goals Engineering Drawing April Examination 2013 Memo
 - Carving Out Dedicated Reading Time
 12. Sourcing Reliable Information of Engineering Drawing April Examination 2013 Memo
 - Fact-Checking eBook Content of Engineering Drawing April Examination 2013 Memo
 - Distinguishing Credible Sources
 13. Promoting Lifelong Learning
 - Utilizing eBooks for Skill Development

- Exploring Educational eBooks
14. Embracing eBook Trends
- Integration of Multimedia Elements
 - Interactive and Gamified eBooks

Engineering Drawing April Examination 2013 Memo Introduction

Engineering Drawing April Examination 2013 Memo Offers over 60,000 free eBooks, including many classics that are in the public domain. Open Library: Provides access to over 1 million free eBooks, including classic literature and contemporary works. Engineering Drawing April Examination 2013 Memo Offers a vast collection of books, some of which are available for free as PDF downloads, particularly older books in the public domain. Engineering Drawing April Examination 2013 Memo : This website hosts a vast collection of scientific articles, books, and textbooks. While it operates in a legal gray area due to copyright issues, its a popular resource for finding various publications. Internet Archive for Engineering Drawing April Examination 2013 Memo : Has an extensive collection of digital content, including books, articles, videos, and more. It has a massive library of free downloadable books. Free-eBooks Engineering Drawing April Examination 2013 Memo Offers a diverse range of free eBooks across various genres. Engineering Drawing April Examination 2013 Memo Focuses mainly on educational books, textbooks, and business books. It offers free PDF downloads for educational purposes. Engineering Drawing April Examination 2013 Memo Provides a large selection of free eBooks in different genres, which are available for download in various formats, including PDF. Finding specific Engineering Drawing April Examination 2013 Memo, especially related to Engineering Drawing April Examination 2013 Memo, might be challenging as theyre often artistic creations rather than practical blueprints. However, you can explore the following steps to search for or create your own Online Searches: Look for websites, forums, or blogs dedicated to Engineering Drawing April Examination 2013 Memo, Sometimes enthusiasts share their designs or concepts in PDF format. Books and Magazines Some Engineering Drawing April Examination 2013 Memo books or magazines might include. Look for these in online stores or libraries. Remember that while Engineering Drawing April Examination 2013 Memo, sharing copyrighted material without permission is not legal. Always ensure youre either creating your own or obtaining them from legitimate sources that allow sharing and downloading. Library Check if your local library offers eBook lending services. Many libraries have digital catalogs where you can borrow Engineering Drawing April Examination 2013 Memo eBooks for free, including popular titles. Online Retailers: Websites like Amazon, Google Books, or Apple Books often sell eBooks. Sometimes, authors or publishers offer promotions or free periods for certain books. Authors Website Occasionally, authors provide excerpts or short stories for free on their websites. While this might not be the Engineering Drawing April Examination 2013 Memo full book , it can give you a taste of the authors writing

style. Subscription Services Platforms like Kindle Unlimited or Scribd offer subscription-based access to a wide range of Engineering Drawing April Examination 2013 Memo eBooks, including some popular titles.

FAQs About Engineering Drawing April Examination 2013 Memo Books

What is a Engineering Drawing April Examination 2013 Memo PDF? A PDF (Portable Document Format) is a file format developed by Adobe that preserves the layout and formatting of a document, regardless of the software, hardware, or operating system used to view or print it. **How do I create a Engineering Drawing April Examination 2013 Memo PDF?** There are several ways to create a PDF: Use software like Adobe Acrobat, Microsoft Word, or Google Docs, which often have built-in PDF creation tools. Print to PDF: Many applications and operating systems have a "Print to PDF" option that allows you to save a document as a PDF file instead of printing it on paper. Online converters: There are various online tools that can convert different file types to PDF. **How do I edit a Engineering Drawing April Examination 2013 Memo PDF?** Editing a PDF can be done with software like Adobe Acrobat, which allows direct editing of text, images, and other elements within the PDF. Some free tools, like PDFescape or Smallpdf, also offer basic editing capabilities. **How do I convert a Engineering Drawing April Examination 2013 Memo PDF to another file format?** There are multiple ways to convert a PDF to another format: Use online converters like Smallpdf, Zamzar, or Adobe Acrobats export feature to convert PDFs to formats like Word, Excel, JPEG, etc. Software like Adobe Acrobat, Microsoft Word, or other PDF editors may have options to export or save PDFs in different formats. **How do I password-protect a Engineering Drawing April Examination 2013 Memo PDF?** Most PDF editing software allows you to add password protection. In Adobe Acrobat, for instance, you can go to "File" -> "Properties" -> "Security" to set a password to restrict access or editing capabilities. Are there any free alternatives to Adobe Acrobat for working with PDFs? Yes, there are many free alternatives for working with PDFs, such as: LibreOffice: Offers PDF editing features. PDFsam: Allows splitting, merging, and editing PDFs. Foxit Reader: Provides basic PDF viewing and editing capabilities. How do I compress a PDF file? You can use online tools like Smallpdf, ILovePDF, or desktop software like Adobe Acrobat to compress PDF files without significant quality loss. Compression reduces the file size, making it easier to share and download. Can I fill out forms in a PDF file? Yes, most PDF viewers/editors like Adobe Acrobat, Preview (on Mac), or various online tools allow you to fill out forms in PDF files by selecting text fields and entering information. Are there any restrictions when working with PDFs? Some PDFs might have restrictions set by their creator, such as password protection, editing restrictions, or print restrictions. Breaking these restrictions might require specific software or tools, which may or may not be legal depending on the circumstances and local laws.

Find Engineering Drawing April Examination 2013 Memo :

[garmin forerunner 910xt manual](#)

[garmin 36user guide](#)

[garden fetticini alfredo recipe](#)

garmin instruction manual

gardening techniques for beginners easy organic gardening secrets and techniques

[gate reference books for eee](#)

garmin nuvi 255w repair

garfield comics tome petit chatchat noeumll

[gas range parts diagram](#)

gap analysis document

gardner bender gdt 11 user manual

[garmin nuvi 350 guide](#)

gates belt length guide

garmin nuvi 2555 user manual

[garmin nuvi 1400 series quick start manual](#)

Engineering Drawing April Examination 2013 Memo :

elementary statistics 11th edition 9780538733502 cengage - Aug 15 2023

web consistently praised for its clarity and excellent examples robert johnson and patricia kuby s elementary statistics is enhanced by technology resources that further cement the book s reputation for being remarkably easy to learn from and teach from

solutions for elementary statistics 11th by robert johnson - Jul 02 2022

web step by step video answers explanations by expert educators for all elementary statistics 11th by robert johnson patricia kuby only on numerade com

amazon com elementary statistics 9780534371548 kuby johnson - Jun 01 2022

web aug 1 1999 but i drift if you see johnson and kuby s elementary statistics run run to any other text read more 4 people found this helpful helpful report h g wright 1 0 out of 5 stars yikes reviewed in the united states on august 4 2007 imagine having to cover this nightmare of a book in three weekends spread over six weeks can

student solutions manual for johnson kuby s elementary statistics - Feb 26 2022

web aug 17 2015 student solutions manual for johnson kuby s elementary statistics authors robert r johnson patricia j kuby edition 11 revised publisher cengage learning 2015 isbn

elementary statistics 11th edition cengage - Aug 03 2022

web elementary statistics 11th edition cengage anguilla antigua and barbuda azerbaijan bermuda botswana british virgin islands burkina faso cambodia cape verde cayman islands central african republic columbia cook islands côte d ivoire cyprus czech republic democratic republic of korea djibouti dominican republic ecuador el

student solutions manual for johnson and kuby s elementary statistics - Sep 04 2022

web aug 13 2021 student solutions manual for johnson and kuby s elementary statistics kuby patricia free download borrow and streaming internet archive

elementary statistics 11th eleventh edition by johnson robert - Oct 05 2022

web elementary statistics 11th eleventh edition by johnson robert r

elementary statistics 11th edition 9780538733502 cengage - Apr 30 2022

web elementary statistics 11th edition 9780538733502 cengage antigua and barbuda burkina faso cayman islands central african republic cook islands côte d ivoire cyprus czech republic democratic republic of korea djibouti dominican republic el salvador equatorial guinea ethiopia faroe islands french guiana georgia gibraltar guadeloupe

elementary statistics enhanced review edition robert johnson - May 12 2023

web feb 23 2007 robert johnson and patricia kuby s elementary statistics tenth edition has been consistently praised by users and reviewers for its clear exposition and relevant examples exercises and

elementary statistics edition 11 by robert r johnson patricia j - Apr 11 2023

web elementary statistics edition 11 by robert r johnson patricia j kuby books on google play elementary statistics edition 11 robert r johnson patricia j kuby jan 2011 sold by

estadística elemental johnson kuby - Jan 28 2022

web estadística elemental johnson kuby estadística elemental los esencial robert johnson books estadística elemental johnson kuby the essentials of elementary estadística elemental 11a ed edición revisada 11ª edición robert r johnson patricia j kuby isbn 13 9786075228358 año de publicación 2016

johnson kuby elementary statistics - Mar 10 2023

web robert johnson and patricia kuby s elementary statistics tenth edition has been consistently praised by users and reviewers for its clear exposition and relevant examples exercises and applications

elementary statistics katalog istanbul edu tr - Dec 27 2021

web skip to bottom content giriş

elementary statistics robert johnson patricia kuby google - Nov 06 2022

web elementary statistics robert johnson patricia kuby thomson brooks cole 2006 probabilities 884 pages 0 reviews reviews aren't verified but google checks for and removes fake

elementary statistics robert r johnson patricia j kuby - Jun 13 2023

web jan 1 2011 in their own classrooms through their popular texts and in the conferences they lead robert johnson and patricia kuby have inspired hundreds of thousands of students and their instructors to

elementary statistics johnson robert r kuby patricia j - Mar 30 2022

web bob was the author of elementary statistics and just the essentials of statistics until being joined by co author patricia kuby they also co author stat professor johnson has given several presentations about the teaching of statistics and the use of minitab in teaching statistics at various conferences and workshops

elementary statistics by robert russell johnson open library - Dec 07 2022

web jan 14 2023 elementary statistics by robert russell johnson patricia j kuby 2000 duxbury edition in english 8th ed robert johnson patricia kuby elementary statistics by robert russell johnson open library

elementary statistics by robert russell johnson open library - Jan 08 2023

web dec 10 2022 elementary statistics 10th ed robert johnson patricia kuby by robert russell johnson and patricia j kuby 0 ratings 29 want to read 3 currently reading 0 have read this edition doesn't have a description yet can you add one publish date 2008 publisher thomson brooks cole language english pages 910 previews available in

webassign elementary statistics 11th edition - Feb 09 2023

web elementary statistics 11th edition by robert r johnson and patricia j kuby delivers clear exposition and relevant examples exercises and applications with a focus on technology the webassign component for this text engages students with an interactive ebook active examples with worked out solutions and lecture video textbook resources

elementary statistics robert johnson patricia kuby google - Jul 14 2023

web robert johnson patricia kuby brooks cole 2004 statistics 782 pages in their own classrooms through their popular texts and in the conferences they lead bob johnson and pat kuby

conclave the bestselling richard and judy book club thriller - Dec 07 2022

web conclave the bestselling richard and judy book club thriller harris robert 25 903 ratings by goodreads isbn 10 0091959160 isbn 13 9780091959166 published by

the conclave hotel hyderabad reviews photos offer - Nov 25 2021

web overview the conclave is a good choice for travellers looking for a 3 star hotel in hyderabad it is located in gachibowli

hotel is rated 3 4 out of 5 which is considered as

conclave the bestselling richard and judy book club thriller - Oct 05 2022

web conclave the bestselling richard and judy book club thriller harris robert amazon com au books

conclave the bestselling richard and judy book club thriller - Sep 04 2022

web sep 22 2016 amazon in buy conclave the bestselling richard and judy book club thriller book online at best prices in india on amazon in read conclave the

conclave the bestselling richard and judy book club thriller - Feb 09 2023

web conclave the bestselling richard and judy book club thriller ebook harris robert amazon in kindle store

conclave the bestselling richard and judy book club - Aug 15 2023

web sep 22 2016 buy conclave the bestselling richard and judy book club thriller fifth impression by harris robert isbn 9780091959166 from amazon s book store everyday low prices

conclave the bestselling richard and judy book club thriller - Mar 10 2023

web amazon in buy conclave the bestselling richard and judy book club thriller book online at best prices in india on amazon in read conclave the bestselling richard

conclave the bestselling richard and judy book club thriller - May 12 2023

web conclave the bestselling richard and judy book club thriller robert harris amazon com tr kitap

conclave the bestselling richard and judy book club thriller - Jun 13 2023

web sep 22 2016 conclave the bestselling richard and judy book club thriller kindle edition by harris robert download it once and read it on your kindle device pc

conclave the bestselling richard and judy book club thriller - Mar 30 2022

web conclave the bestselling richard and judy book club thriller new sku 9780091959173 secondhand availability in stock conclave the bestselling

conclave the bestselling richard and judy book club thriller - Aug 03 2022

web in seinem neuesten roman conclave gewährt robert harris dem leser einen blick hinter die mauern der sixtinischen kapelle und schildert den ablauf einer papstwahl

conclave the bestselling richard and judy cl marvin levine book - Dec 27 2021

web it will enormously ease you to see guide conclave the bestselling richard and judy cl as you such as by searching the title publisher or authors of guide you truly want you

conclave the bestselling richard and judy book club thriller - Nov 06 2022

web sunday times bestseller the pope is dead behind the locked doors of the sistine chapel one hundred and eighteen

cardinals from all over the globe will cast their

conclave the bestselling richard and judy book club thriller - Apr 11 2023

web conclave the bestselling richard and judy book club thriller the bestselling richard and judy book club thriller robert harris published by arrow 2017

conclave the bestselling novel of richard and judy book - Jul 02 2022

web conclave is set in the near future 2022 sixty years since the second vatican council and opens with the death of the pope the novel centers on jacopo lomelli who as

conclave the bestselling richard and judy book club - Jul 14 2023

web conclave the bestselling richard and judy book club thriller ebook harris robert amazon co uk kindle store religion spirituality

conclave the bestselling richard and judy book club thriller - Jun 01 2022

web conclave the bestselling richard and judy book club thriller harris robert amazon sg books

conclave the bestselling richard and judy book cl phil patton - Feb 26 2022

web this conclave the bestselling richard and judy book cl but stop happening in harmful downloads rather than enjoying a fine book past a cup of coffee in the afternoon then

hotel the conclave best hotel in gachibowli - Oct 25 2021

web good evening how can i help you

conclave the bestselling richard and judy book club thriller - Jan 28 2022

web jun 13 2023 we pay for conclave the bestselling richard and judy book club thriller rand01 240818 english edition by robert harris and various books compilations from

conclave the bestselling richard and judy book cl download - Apr 30 2022

web conclave the bestselling richard and judy book club conclave by robert harris fantastic fiction conclave a novel robert harris 9781101972908 amazon

buy conclave the bestselling richard and judy book club - Jan 08 2023

web amazon in buy conclave the bestselling richard and judy book club thriller book online at best prices in india on amazon in read conclave the bestselling richard

a draw the general diagram of an animal cell and label it b draw - Oct 08 2022

web 2 draw and label virus bacteria plant cell 2023 07 03 and accessible while maintaining the career application focus and scientific rigor inherent in the subject matter

draw and label virus bacteria plant cell pdf 2023 - Mar 01 2022

web jun 19 2023 of mobile friendly interactive animatio in bacteria the cell envelope includes the plasma membrane the central as bioterrorism fears grow the first treatment for

[draw and label virus bacteria plant cell pdf uniport edu](#) - Jul 05 2022

web draw and label virus bacteria plant cell right here we have countless books draw and label virus bacteria plant cell and collections to check out we additionally have

draw and label virus bacteria plant cell rhur impacthub net - Apr 02 2022

web possible synergism and interactions among alfalfa mosaic virus bacteria and phytophthora megasperma causing winter kill in alfalfa the viruses bacteria and

draw and label virus bacteria plant cell cyberlab sutd edu sg - Feb 12 2023

web draw and label virus bacteria plant cell recent advances in plant virology jun 28 2022 viruses that infect plants are responsible for reduction in both yield and quality of

draw and label virus bacteria plant cell niir board - Jun 04 2022

web sep 14 2023 draw and label virus bacteria plant cell keep hope alive home page vitamin d black seed for aids plant cell an how do proteins get from the golgi to

draw and label virus bacteria plant cell flowboxing com - Dec 30 2021

label the bacteria teacher made twinkl - Mar 13 2023

web draw and label virus bacteria plant cell molecular virology of human pathogenic viruses sep 09 2021 molecular virology of human pathogenic viruses presents

draw the labelled diagram of the following bacterial cell animal - Nov 09 2022

web huckleberry fraughan the bilberry plant is a close relative of the blueberry and is amongst the numerous species in the ericaceae family basic structure of a cell biology junction

[draw and label virus bacteria plant cell copy store spiralny](#) - Aug 06 2022

web preparation of media for fungal and bacterial growth detection of fungal pathogens in infected plant tissues detection of bacterial pathogens in infected tissues koch s

[draw and label virus bacteria plant cell pdf](#) - Oct 20 2023

web draw and label virus bacteria plant cell cell walls and membranes jun 12 2022 cellular microbiology jan 15 2020 cellular microbiology is a new area of microbiology research bridging the gap between the disciplines of microbiology and cell biology it is

draw and label virus bacteria plant cell full pdf store spiralny - Jan 31 2022

web draw and label virus bacteria plant cell follow the dr c cancer diet for healing dr leonard the role of bovine leukemia virus in breast cancer golgi and from golgi

draw and label virus bacteria plant cell rhur impacthub net - Sep 07 2022

web aug 15 2023 account some harmful virus inside their computer draw and label virus bacteria plant cell is user friendly in our digital library an online entrance to it is set as

draw and label virus bacteria plant cell full pdf - Jan 11 2023

web find an answer to your question draw the labelled diagram of the following bacterial cell animal cell plant cell and chloroplasts vikram5 vikram5 01 09 2016

solved biology name 1 draw label and write the chegg - May 15 2023

web cytoplasm a homogeneous generally clear jelly like material that fills the cell chromosome a very long continuous piece of dna which contains genes regulatory

7 8 virus structures biology libretxts - Sep 19 2023

web if you prefer you may draw a diagram of each and label the different parts of each structure this page titled 7 8 virus structures is shared under a ck 12 license and was

prokaryotic cells article khan academy - Jul 17 2023

web cell structure edexcel bacterial cells light and electron microscopes allow us to see inside cells plant animal and bacterial cells have smaller components each with a

draw and label virus bacteria plant cell - Aug 18 2023

web draw and label virus bacteria plant cell april 29th 2018 terminology concepts in many cases terms such as disease disorder morbidity sickness and illness are used

draw and label virus bacteria plant cell baby professor - May 03 2022

web important roles of soil bacteria in parasitic and symbiotic interactions with viruses plants animals and fungi starting with a general overview of the key levels of communication

i identify the following bacteria based on its shape ii - Dec 10 2022

web a animal cell b plant cell c chloroplasts are found only in plant cells because they contain a green pigment called chlorophyll this green pigment is for photosynthesis in

draw and label virus bacteria plant cell online kptm edu my - Nov 28 2021

bacteria diagram smartdraw - Apr 14 2023

web this activity is great for grade 9 pupils learning about microorganisms and bacteria in biology the cut and stick activity

covers all the different structural components of

bacterial cells cell structure edexcel gcse combined bbc - Jun 16 2023

web draw label and write the differences in a virus a bacterium a plant cell and an animal cell 2 match the followings nucleus

a no membrane lysosome b single membrane