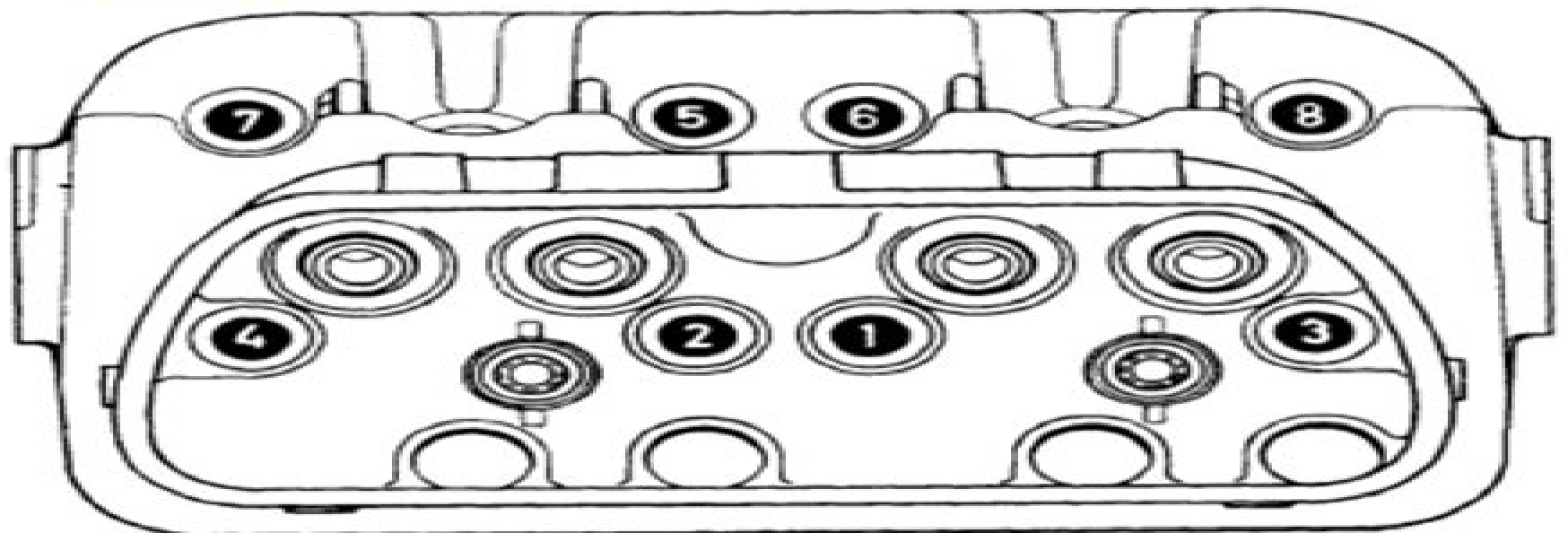
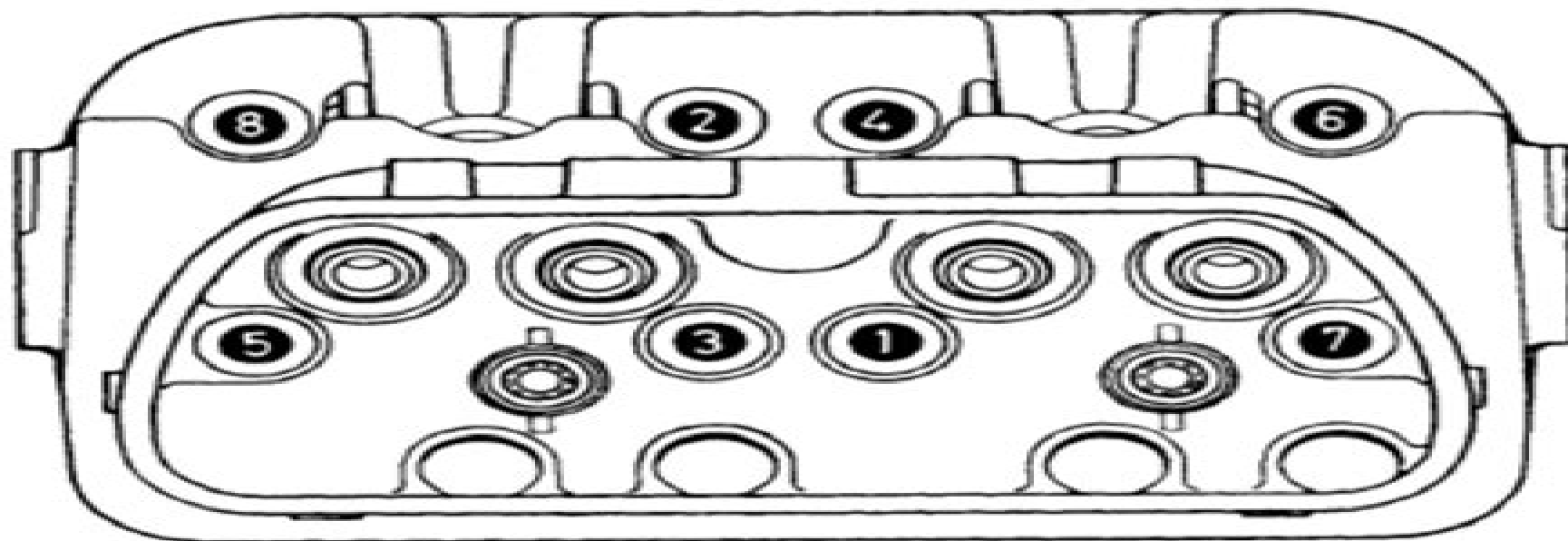


Fig 1: **Cylinder Head** Tightening Sequence



A



B

2EM5333

Loud Clank Manual Transmission

J Dewey



Loud Clank Manual Transmission:

Automotive Drivetrain and Manual Transmissions Keith Santini, Kirk VanGelder, 2018-07-13 Automotive Drivetrain and Manual Transmissions equips students for diagnosing servicing and repairing modern drivetrain systems and components Utilizing a strategy based diagnostics approach this text helps students master the process of technical troubleshooting to successfully resolve the problem on the first attempt

Popular Mechanics, 1990-11 Popular Mechanics inspires instructs and influences readers to help them master the modern world Whether it s practical DIY home improvement tips gadgets and digital technology information on the newest cars or the latest breakthroughs in science PM is the ultimate guide to our high tech lifestyle

Popular Mechanics, 1990-11 Popular Mechanics inspires instructs and influences readers to help them master the modern world Whether it s practical DIY home improvement tips gadgets and digital technology information on the newest cars or the latest breakthroughs in science PM is the ultimate guide to our high tech lifestyle

The Used Car Book, 1989

Vought F-8u Crusader Pilot's Flight Operating Manual United States Navy, 2007-08-04 En instruktionsbog Flight Manual for F 8 Crusader

The Used Car Book, 1996-1997 Jack Gillis, 1996-05 Written by the nation s foremost automobile consumer expert this information packed sourcebook is still the best guide available for used car buyers With full page entries on more than 150 models of used cars and minivans this is the book for anyone in the market for a used car Photos

If a Frog Had Wings Paul D. Jackson, 2013-02 July 24 2008 my wife and I sat in Dr Doug Flora s office The doctor entered the room turned and looked at us and said I know folks this really sucks You have esophageal cancer It is what is called a clinical T3N1 tumor It s extremely serious He then went into a detailed explanation of Dr Saeed s findings He sketched a picture of my esophagus and stomach on a white sheet of paper that covered the examining table and pointed at the base of my stomach and esophagus and drew a circle where the tumor had been detected He said that the tumor s size was 2 0 mm I told him that I had been taking long walks to get a suntan and to lose weight and had been proud to lose seventeen pounds He said The cancer took your seventeen pounds it wasn t the walking Join author Paul D Jackson Jr in *If A Frog Had Wings* as he reflects on how his life experiences from childhood to adulthood had prepared him for the fight of his life Share in the humor heartbreak and steadfast stubbornness in Paul s love of life that have helped him to overcome great adversity and come out standing

[SCP Series One Field Manual](#) SCP Foundation, Various Authors, 2019-09-19 SCP Foundation anomalies SCP 001 through to SCP 999 including containment procedures experiment logs and interview transcripts An encyclopedia of the unnatural The Foundation Operating clandestine and worldwide the Foundation operates beyond jurisdiction empowered and entrusted by every major national government with the task of containing anomalous objects entities and phenomena These anomalies pose a significant threat to global security by threatening either physical or psychological harm The Foundation operates to maintain normalcy so that the worldwide civilian population can live and go on with their daily lives without fear mistrust or doubt in their personal beliefs and to

maintain human independence from extraterrestrial extradimensional and other extranormal influence Our mission is three fold Secure The Foundation secures anomalies with the goal of preventing them from falling into the hands of civilian or rival agencies through extensive observation and surveillance and by acting to intercept such anomalies at the earliest opportunity Contain The Foundation contains anomalies with the goal of preventing their influence or effects from spreading by either relocating concealing or dismantling such anomalies or by suppressing or preventing public dissemination of knowledge thereof Protect The Foundation protects humanity from the effects of such anomalies as well as the anomalies themselves until such time that they are either fully understood or new theories of science can be devised based on their properties and behavior About the ebook This ebook is an offline edition of the first series of fictional documentation from the SCP Foundation Wiki All illustrations subsections and supporting documentation pages are included All content is indexed and cross referenced Essentially this is what a SCP Foundation researcher would carry day to day in their Foundation issued ebook reader The text has been optimised for offline reading on phones and ebook readers and for listening to via Google Play Books Read Aloud feature Tables have been edited into a format that is intelligible when read aloud the narration will announce visual features like redactions and overstrikes and there are numerous other small optimisations for listeners The SCP text are a living work and the SCP documentation is a gateway into the SCP fictional universe so links to authors stories and media are preserved and will open your readers web browser This work is licensed under a Creative Commons Attribution ShareAlike 3.0 Unported License and is being distributed without copy protection Its content is the property of the attributed authors

Killer's Eyes Roger Wisneski, 2012-03-28 Chance Brandy General Sales Manager of Sammy Motors in Green Bay Wisconsin is living a relatively normal and predictable lifestyle That is until the mysterious Gil enters his life Chances carefree life starts to spin out of control as blackmail car theft and even murder enters it Having to match with his enemy Chance will need to use all his skills in order to avoid going to jail or even ending up dead

Advanced Automotive Engine Performance Michael Klyde, CDX Automotive, 2020-04-17 Advanced Automotive Engine Performance is designed to prepare novice technicians for the challenge of diagnosing today's highly technical electronic engine controls Using this curriculum learners will gain familiarity with the operation and variations of emissions systems and associated onboard monitors The curriculum especially focuses on applying diagnostic strategy to and performing service procedures for emissions systems faults Learners will also develop an understanding of IM testing and an ability to interpret IM test reports to aid in diagnosis This objective based curriculum will prepare learners for the challenges of servicing engine management systems in the shop today This is a complete curriculum solution for Advanced Automotive Engine Performance Online courseware is available and is rich in video and animation to support understanding of complex systems This solution is available in print plus digital or digital only offerings providing eBook and online course pairing with mobile friendly adaptability Complete tests tasksheets and instructor resources make this curriculum easy to adopt and integrate into any

automotive program **The Family Handyman Simple Car Care & Repair** Reader's Digest,2004-02-02 In this complicated four wheeled world are you uncertain or confused about car maintenance Don t despair There are things lots of things you can do to prevent your car from acting up breaking down and just plain falling apart You don t need years of experience and a garage full of fancy tools You can save money on repairs and carry on a halfway intelligent conversation with a mechanic This book through clear illustrations plain English and a touch of humor will show you how to keep your car running smoothly and looking good Book jacket **The Used Car Book, 1994** Jack Gillis,1994-05 Provides a wealth of consumer oriented information on approximately 160 used cars and minivans This guide contains full page entries that cover 10 years of each model with a summary and easy to read chart listing fuel economy maintenance costs current prices and much more Many helpful features Lemon-Aid Used Cars and Trucks 2012-2013 Phil Edmonston,2012-05-19 Lemon Aid guides steer the confused and anxious buyer through the economic meltdown unlike any other car and truck books on the market U S automakers are suddenly awash in profits and South Koreans and Europeans have gained market shares while Honda Nissan and Toyota have curtailed production following the 2011 tsunami in Japan Shortages of Japanese new cars and supplier disruptions will likely push used car prices through the roof well into 2012 so what should a savvy buyer do The all new Lemon Aid Used Cars and Trucks 2012 2013 has the answers including More vehicles rated with some redesigned models that don t perform as well as previous iterations downrated More roof crash worthiness ratings along with an expanded cross border shopping guide A revised summary of safety and performance related defects that are likely to affect rated models More helpful websites listed in the appendix as well as an updated list of the best and worst beaters on the market More secret warranties taken from automaker internal service bulletins and memos than ever Miraculous! Ken Ham,2025-08-01 A Life of Faith A Legacy of Miracles A Bold Stand for Biblical Truth This is a story nothing short of Miraculous From a small town science teacher in Australia to one of the world s most influential voices in Christian apologetics Miraculous The Ken Ham and Answers in Genesis Story is the inspiring true story of how God used one man s uncompromising faith and unwavering commitment to Scripture to spark a global movement With personal stories never before shared publicly and more than 100 historical photographs this beautifully crafted hardcover gives readers an intimate behind the scenes look at the rise of Answers in Genesis The Creation Museum and The Ark Encounter More than a biography Miraculous is a powerful testimony to God s providence It s the story of a calling A story of controversy And a story of God s unmistakable hand in building a bold ministry that proclaims the truth of God s Word to millions What You ll Discover in This Faith Building Story A Personal Journey of Calling Follow Ken Ham from his early days as a science teacher to the founding of a ministry that boldly defends the authority of God s Word Miraculous Moments of God s Provision Read stories of impossible odds spiritual warfare and divine intervention that paved the way for Answers in Genesis and two of the most powerful Christian attractions in the world The Creation Museum and The Ark Encounter A Ministry of Global Impact

Learn how God used one man's faith to ignite a worldwide defense of biblical authority and inspire generations to stand firm on God's Word A Love Story Rooted in Purpose Discover the deep partnership between Ken and his wife Mally and how their united calling was essential to the ministry's success A Call to Step Out in Faith Be challenged to consider your own legacy trust in God's plan and live courageously in a culture drifting from truth Ken Ham's story is more than a ministry memoir It's a reminder that God is sovereign over every life that He equips those He calls and that eternal impact begins with obedient faith Whether you're facing your own Red Sea moment looking for direction or simply seeking encouragement to stand for truth in today's culture Miraculous will stir your heart and strengthen your faith Miraculous is a compelling read for Christian leaders pastors and ministry supporters who want to understand the spiritual battles and victories behind one of the world's most impactful apologetics ministries It's also an inspiring resource for homeschool families and Christian educators seeking to pass on a legacy of faith and biblical truth Young adults wrestling with questions about God's calling will find practical guidance and encouragement while anyone facing seemingly impossible circumstances will be strengthened by the reminder that God still works miracles through those who trust and obey Him

Acceptance Is the Beginning of Change Ralston G. Bishop, 2014-11-25 The son of a single parent a black Jamaican woman who was a poor domestic worker author Ralston G Bishop narrates the story of his life in Acceptance is the Beginning of Change From his birth in Ocho Rios Jamaica in 1974 to growing up poor in the parish of St Ann to turning to crime to spending time in prison Bishop shares his journey and discusses the lessons he's learned along the way Now a farmer and a poet he reflects on poverty and its far reaching effect on people and he tells of the importance of having complete faith and trust in God From rags to riches and from riches to rags this memoir shares Bishop's story as he learns to accept the regrets of his past and come to terms with a new present and future Honest and disclosing Acceptance is the Beginning of Change communicates that it's not about what one lacks in life it is about what one has It's not about the mistakes it's about the lessons gained

Indianapolis Monthly, 1996-06 Indianapolis Monthly is the Circle City's essential chronicle and guide an indispensable authority on what's new and what's news Through coverage of politics crime dining style business sports and arts and entertainment each issue offers compelling narrative stories and lively urbane coverage of Indy's cultural landscape

Industrial-arts Magazine, 1927 **Lemon-Aid Used Cars and Trucks 2011-2012** Phil Edmonston, 2011-04-25 As Toyota skids into an ocean of problems and uncertainty continues in the U.S. automotive industry Lemon Aid Used Cars and Trucks 2011-2012 shows buyers how to pick the cheapest and most reliable vehicles from the past 30 years Lemon Aid guides are unlike any other car and truck books on the market Phil Edmonston Canada's automotive Dr Phil for 40 years pulls no punches Like five books in one Lemon Aid Used Cars and Trucks is an exposé of car scams and gas consumption lies a do it yourself service manual an independent guide that covers beaters lemons and collectibles an archive of secret service bulletins granting free repairs and a legal primer that even lawyers can't beat Phil delivers the goods on free fixes for

Chrysler Ford and GM engine transmission brake and paint defects lets you know about Corvette and Mustang tops that fly off gives the lowdown on Honda Hyundai and Toyota engines and transmissions and provides the latest information on computer module glitches *Approach Mech* ,1995 *Armor* ,1988 The magazine of mobile warfare

Thank you definitely much for downloading **Loud Clank Manual Transmission**. Maybe you have knowledge that, people have seen numerous periods for their favorite books behind this Loud Clank Manual Transmission, but stop occurring in harmful downloads.

Rather than enjoying a good book like a mug of coffee in the afternoon, otherwise they juggled in the same way as some harmful virus inside their computer. **Loud Clank Manual Transmission** is welcoming in our digital library an online entry to it is set as public thus you can download it instantly. Our digital library saves in combination countries, allowing you to acquire the most less latency era to download any of our books next this one. Merely said, the Loud Clank Manual Transmission is universally compatible when any devices to read.

https://staging.conocer.cide.edu/public/scholarship/index.jsp/Le_Livre_De_Pages_French_Edition.pdf

Table of Contents Loud Clank Manual Transmission

1. Understanding the eBook Loud Clank Manual Transmission
 - The Rise of Digital Reading Loud Clank Manual Transmission
 - Advantages of eBooks Over Traditional Books
2. Identifying Loud Clank Manual Transmission
 - Exploring Different Genres
 - Considering Fiction vs. Non-Fiction
 - Determining Your Reading Goals
3. Choosing the Right eBook Platform
 - Popular eBook Platforms
 - Features to Look for in an Loud Clank Manual Transmission
 - User-Friendly Interface
4. Exploring eBook Recommendations from Loud Clank Manual Transmission
 - Personalized Recommendations
 - Loud Clank Manual Transmission User Reviews and Ratings

- Loud Clank Manual Transmission and Bestseller Lists
- 5. Accessing Loud Clank Manual Transmission Free and Paid eBooks
 - Loud Clank Manual Transmission Public Domain eBooks
 - Loud Clank Manual Transmission eBook Subscription Services
 - Loud Clank Manual Transmission Budget-Friendly Options
- 6. Navigating Loud Clank Manual Transmission eBook Formats
 - ePub, PDF, MOBI, and More
 - Loud Clank Manual Transmission Compatibility with Devices
 - Loud Clank Manual Transmission Enhanced eBook Features
- 7. Enhancing Your Reading Experience
 - Adjustable Fonts and Text Sizes of Loud Clank Manual Transmission
 - Highlighting and Note-Taking Loud Clank Manual Transmission
 - Interactive Elements Loud Clank Manual Transmission
- 8. Staying Engaged with Loud Clank Manual Transmission
 - Joining Online Reading Communities
 - Participating in Virtual Book Clubs
 - Following Authors and Publishers Loud Clank Manual Transmission
- 9. Balancing eBooks and Physical Books Loud Clank Manual Transmission
 - Benefits of a Digital Library
 - Creating a Diverse Reading Collection Loud Clank Manual Transmission
- 10. Overcoming Reading Challenges
 - Dealing with Digital Eye Strain
 - Minimizing Distractions
 - Managing Screen Time
- 11. Cultivating a Reading Routine Loud Clank Manual Transmission
 - Setting Reading Goals Loud Clank Manual Transmission
 - Carving Out Dedicated Reading Time
- 12. Sourcing Reliable Information of Loud Clank Manual Transmission
 - Fact-Checking eBook Content of Loud Clank Manual Transmission
 - Distinguishing Credible Sources

13. Promoting Lifelong Learning
 - Utilizing eBooks for Skill Development
 - Exploring Educational eBooks
14. Embracing eBook Trends
 - Integration of Multimedia Elements
 - Interactive and Gamified eBooks

Loud Clank Manual Transmission Introduction

Free PDF Books and Manuals for Download: Unlocking Knowledge at Your Fingertips In today's fast-paced digital age, obtaining valuable knowledge has become easier than ever. Thanks to the internet, a vast array of books and manuals are now available for free download in PDF format. Whether you are a student, professional, or simply an avid reader, this treasure trove of downloadable resources offers a wealth of information, conveniently accessible anytime, anywhere. The advent of online libraries and platforms dedicated to sharing knowledge has revolutionized the way we consume information. No longer confined to physical libraries or bookstores, readers can now access an extensive collection of digital books and manuals with just a few clicks. These resources, available in PDF, Microsoft Word, and PowerPoint formats, cater to a wide range of interests, including literature, technology, science, history, and much more. One notable platform where you can explore and download free Loud Clank Manual Transmission PDF books and manuals is the internet's largest free library. Hosted online, this catalog compiles a vast assortment of documents, making it a veritable goldmine of knowledge. With its easy-to-use website interface and customizable PDF generator, this platform offers a user-friendly experience, allowing individuals to effortlessly navigate and access the information they seek. The availability of free PDF books and manuals on this platform demonstrates its commitment to democratizing education and empowering individuals with the tools needed to succeed in their chosen fields. It allows anyone, regardless of their background or financial limitations, to expand their horizons and gain insights from experts in various disciplines. One of the most significant advantages of downloading PDF books and manuals lies in their portability. Unlike physical copies, digital books can be stored and carried on a single device, such as a tablet or smartphone, saving valuable space and weight. This convenience makes it possible for readers to have their entire library at their fingertips, whether they are commuting, traveling, or simply enjoying a lazy afternoon at home. Additionally, digital files are easily searchable, enabling readers to locate specific information within seconds. With a few keystrokes, users can search for keywords, topics, or phrases, making research and finding relevant information a breeze. This efficiency saves time and effort, streamlining the learning process and allowing individuals to focus on extracting the information they need. Furthermore, the availability of free PDF books and manuals fosters a culture of continuous learning.

By removing financial barriers, more people can access educational resources and pursue lifelong learning, contributing to personal growth and professional development. This democratization of knowledge promotes intellectual curiosity and empowers individuals to become lifelong learners, promoting progress and innovation in various fields. It is worth noting that while accessing free Loud Clank Manual Transmission PDF books and manuals is convenient and cost-effective, it is vital to respect copyright laws and intellectual property rights. Platforms offering free downloads often operate within legal boundaries, ensuring that the materials they provide are either in the public domain or authorized for distribution. By adhering to copyright laws, users can enjoy the benefits of free access to knowledge while supporting the authors and publishers who make these resources available. In conclusion, the availability of Loud Clank Manual Transmission free PDF books and manuals for download has revolutionized the way we access and consume knowledge. With just a few clicks, individuals can explore a vast collection of resources across different disciplines, all free of charge. This accessibility empowers individuals to become lifelong learners, contributing to personal growth, professional development, and the advancement of society as a whole. So why not unlock a world of knowledge today? Start exploring the vast sea of free PDF books and manuals waiting to be discovered right at your fingertips.

FAQs About Loud Clank Manual Transmission Books

How do I know which eBook platform is the best for me? Finding the best eBook platform depends on your reading preferences and device compatibility. Research different platforms, read user reviews, and explore their features before making a choice. Are free eBooks of good quality? Yes, many reputable platforms offer high-quality free eBooks, including classics and public domain works. However, make sure to verify the source to ensure the eBook credibility. Can I read eBooks without an eReader? Absolutely! Most eBook platforms offer web-based readers or mobile apps that allow you to read eBooks on your computer, tablet, or smartphone. How do I avoid digital eye strain while reading eBooks? To prevent digital eye strain, take regular breaks, adjust the font size and background color, and ensure proper lighting while reading eBooks. What the advantage of interactive eBooks? Interactive eBooks incorporate multimedia elements, quizzes, and activities, enhancing the reader engagement and providing a more immersive learning experience. Loud Clank Manual Transmission is one of the best book in our library for free trial. We provide copy of Loud Clank Manual Transmission in digital format, so the resources that you find are reliable. There are also many Ebooks of related with Loud Clank Manual Transmission. Where to download Loud Clank Manual Transmission online for free? Are you looking for Loud Clank Manual Transmission PDF? This is definitely going to save you time and cash in something you should think about.

Find Loud Clank Manual Transmission :

le livre de pages french edition

le monarque son fils son fief

le fantocircme du quai den face

le jazz et les gangsters

le livre des poissons

le guide no des nouveaux parents

le livre de la jungle illustrated

le livre noir de la gauche

le grand ducheacute de gomorsodomie

le molecole del cuore italian edition

le chœur du cœur

le jeu de lamour et du placard

le mythe der ou le dernier voyage dalexandre le grand

le guerrier irlandais

le meilleur parcours pour ne jamais ecircetre au chocircmage

Loud Clank Manual Transmission :

interprétation d une chanson traduction anglaise linguee - Jan 17 2022

web in public or broadcast on radio television in a film or over the internet pch gc ca pch gc ca interprétation chan t ée d une chanson simp le chanson populaire ou lied

the interpretation of french song semantic scholar - Feb 27 2023

web the greater part of each composer s output in the genre is discussed texts of nearly 200 songs are given in french with line for line verse translations by winifred radford

interpretation of french art song musi30259 the university - Jul 23 2022

web nov 3 2022 an in depth knowledge of interpretative styles of 19th 20th century french art song through the correct use of diction inflexion and linguistic background of the french

the interpretation of french song by pierre bernac translations - Nov 26 2022

web the interpretation of french song by pierre bernac translations of song texts by winifred radford new york frederick a

praeger publishers inc 1970 326 pp hard

the interpretation of french song by pierre bernac translations - Aug 24 2022

web the interpretation of french song by pierre bernac translations of song texts by winifred radford new york praeger publishers 1970 326 p 12 50 this handsome

the interpretation of french song kahn averill - Dec 28 2022

web 4 rows 1 performance and interpretation of vocal music 2 on singing french 3 the interpretation

the interpretation of french song sheet music plus - Oct 26 2022

web published by kahn averill pe 9781871082630 item number pe 9781871082630 isbn 9781871082630 detailing the understanding and performance of french song famous

textbook the interpretation of french song - Feb 15 2022

web the title translates to speak to me of love and the lyrics tell of the sweet nothings that lovers whisper in each others ears and how these words can melt the troubles of the

the interpretation of french song norton library by pierre bernac - Jun 21 2022

web this is the book every serious singer needs and more and more singers are discovering french song it is also an invaluable guide for the concert goer and record collector

interpretation of french song n878 bernac p amazon com au - Mar 19 2022

web the interpretation of french song is the standard work on its subject and its author the outstanding authority among the eighteen composers whose vocal works are covered in

the interpretation of french song w w norton company - May 01 2023

web the interpretation of french song no voice teacher no coach no accompanist no singer and for that matter no music lover should be without this publication from a

the interpretation of french song pierre bernac google books - Oct 06 2023

web 11 rows the interpretation of french song pierre bernac kahn averill 1997 singing 326 pages

the interpretation of french song norton library paperback - Jul 03 2023

web feb 17 1978 the interpretation of french song is the standard work on its subject and its author the outstanding authority among the eighteen composers whose vocal works

bernac pierre the interpretation of french song pdf scribd - Mar 31 2023

web the interpretation of french song by pierre bernac translations of song texts by winifred radford kahn averill ongonfams bigham psh unted igioa contents expiry

the interpretation of french song by pierre bernac goodreads - Jun 02 2023

web the greater part of each composer s output in the genre is discussed texts of nearly 200 songs are given in french with line for line verse translations by winifred radford

interpretation of french art song musi30259 the university - May 21 2022

web nov 3 2022 overview fees look up fees this subject introduces students to french art song mélodie from the classical vocal tradition focussing on musical and textual

the interpretation of french song scispace by typeset - Apr 19 2022

web the interpretation of french song book the interpretation of french song pierre bernac 31 dec 1969 tl dr in this paper the authors discuss the composers output in

the interpretation of french song amazon com - Sep 05 2023

web dec 31 2016 this book is the gold standard of mélodie interpretation and performance bernac gives a concise introduction to singing in french including all of the linguistic

the interpretation of french song worldcat org - Sep 24 2022

web foreword 1 performance and interpretation of vocal music 2 on singing french 3 the interpretation of french melodies 4 berlioz and gounod 5 franck lalo saint saens

the interpretation of french song bernac pierre free - Aug 04 2023

web may 11 2022 the interpretation of french song by bernac pierre publication date 1978 topics songs france interpretation phrasing dynamics etc publisher

the interpretation of french song pierre bernac google books - Jan 29 2023

web 8 rows the greater part of each composer s output in the genre is discussed texts of nearly 200 songs

the interpretation of french song amazon com - Dec 16 2021

web learn more roll over image to zoom in follow the author pierre bernac the interpretation of french song hardcover january 1 1970 by pierre

the secret traditions of the shinobi overdrive - Nov 21 2022

web nov 27 2012 the shinobi or ninja is one of the most widely recognized figures in the world of espionage and also one of the most misrepresented what do we really know about the historical shinobi his tactics and his role in medieval japanese society in the secret traditions of the shinobi these questions and many more are answered

the secret traditions of the shinobi google books - Oct 01 2023

web nov 27 2012 the shinobi or ninja is one of the most widely recognized figures in the world of espionage and also one of the most misrepresented what do we really know about the historical shinobi his

the secret traditions of the shinobi hattori hanzo s shinobi - Apr 14 2022

web the shinobi hidden or secret ninja tradition a documentation of techniques commonly attributed to one of the best known
ninja masters hattori hanzo the koka ryu ninjutsu densho a small but important work from the edo period that reveals the
realm of ninja magic and spells the three shinobi scrolls of the gunpo jiyoshu a manual

the secret traditions of the shinobi hattori hanzo s shinobi hidden - Jul 30 2023

web mar 21 2022 the secret traditions of the shinobi hattori hanzo s shinobi hidden and other ninja scrolls

9781583944356 the secret traditions of the shinobi hattori - Aug 19 2022

web the secret traditions of the shinobi will enthrall martial artists eager to learn the real skills of the shinobi as well as
anyone interested in this exciting period of japanese history and espionage seller inventory bzv9781583944356 more
information about this seller

the secret traditions of the shinobi penguin random house - Mar 26 2023

web spanish language fiction nonfiction biographies memoirs wellness cooking history spanish language nonfiction series
gray man

the secret traditions of the shinobi google books - Apr 26 2023

web nov 27 2012 the shinobi or ninja is one of the most widely recognized figures in the world of espionage and also one of
the most misrepresented what do we really know about the historical shinobi his

the secret traditions of the shinobi - Jan 24 2023

web the secret traditions of the shinobi

the secret traditions of the shinobi quotes goodreads - Sep 19 2022

web 1 of 5 stars 2 of 5 stars 3 of 5 stars 4 of 5 stars 5 of 5 stars the secret traditions of the shinobi hattori hanzo s shinobi
hidden and other ninja scrolls by antony cummins 68 ratings 4 01 average rating 7 reviews open preview

the secret traditions of the shinobi penguin books australia - May 16 2022

web dec 15 2012 the secret traditions of the shinobi will enthrall martial artists eager to learn the real skills of the shinobi
as well as anyone interested in this exciting period of japanese history and espionage our top books exclusive content and
competitions straight to your inbox

download the secret traditions of the shinobi pdf pdfdrive - Jul 18 2022

web what do we really know about the historical shinobi his tactics and his role in medieval japanese society in the secret
traditions of the shinobi these questions and many more are answered

the secret traditions of the shinobi hattori hanzo s shinobi - May 28 2023

web the secret traditions of the shinobi hattori hanzo s shinobi hidden and other ninja scrolls antony cummins yoshie minami

amazon com tr kitap

the secret traditions of the shinobi ebook by rakuten kobo - Feb 10 2022

web the shinobi or ninja is one of the most widely recognized figures in the world of espionage and also one of the most misrepresented what do we really know about the historical shinobi his tactics and his role in medieval japanese society in secret traditions of the shinobi these questions and many more are answered

secrets of the ninja the shinobi teachings of hattori hanzo - Dec 23 2022

web jul 7 2015 amazon com returns eligible for return refund or replacement within 30 days of receipt payment secure transaction we work hard to protect your security and privacy our payment security system encrypts your information during transmission

the secret traditions of the shinobi hattori hanzo s shinobi - Oct 21 2022

web history about the author arrow forward antony john cummins holds an undergraduate degree in ancient history archaeology and a master s degree in neolithic archaeology in addition to working as a

the secret traditions of the shinobi antony cummins knihy - Mar 14 2022

web in secret traditions of the shinobi these questions and many more are answered translated into english for the very first time this widely sought after collection of historical documents brings to light the secret practices techniques philosophies and lifestyles of

the secret traditions of the shinobi apple books - Feb 22 2023

web connecting

the secret traditions of the shinobi hattori hanzo s shinobi - Aug 31 2023

web part three the three shinobi scrolls of the gunpo jiyoshu commentary the first shinobi scroll of the gunpo jiyoshu all clans should have a man of iga and koka serve them things to consider when you send out a shinobi what kind of people you should send as shinobi what those who go on shinobi missions should

pdf epub the secret traditions of the shinobi hattori - Jun 28 2023

web may 13 2020 included are the shinobi hidden or secret ninja tradition a documentation of techniques commonly attributed to one of the best known ninja masters hattori hanzo the koka ryu ninjutsu densho a small but important work from the edo period that reveals the realm of ninja magic and spells the three shinobi scrolls of the

the secret traditions of the shinobi hattori hanzo s shinobi - Jun 16 2022

web an illuminating study of martial arts techniques philosophies and lifestyles that shines a light on one of the most misunderstood figures from japanese history the ninja the shinobi or ninja is one of the most widely recognized figures in the world of espionage and also one of the most misrepresented

so schmeckt israel meine Lieblingsrezepte aus der - Oct 07 2023

web sep 15 2013 so schmeckt israel meine Lieblingsrezepte aus der israelischen küche gewürzt mit einer prise heimat franz tom on amazon com free shipping on

[israelisch rezepte kochbar de](#) - Jan 18 2022

web jetzt anmelden und als erster zugriff auf unseren neuen shop erhalten

israel kocht vegetarisch die schönsten rezepte aus meiner - Jun 22 2022

web so schmeckt israel hier findest du einige sorgfältig ausgewählte rezepte als inspiration und zum nachkochen weitere sammlungen gibt es auf sevencooks com

so schmeckt israel meine Lieblingsrezepte aus der israelischen - May 02 2023

web so schmeckt israel meine Lieblingsrezepte aus der israelischen küche gewürzt mit einer prise heimat

so schmeckt israel meine Lieblingsrezepte aus der israelischen - May 22 2022

web zu den rezepten geht es auf der nächsten seite so schmeckt israel ist ein wichtiger schritt die israelische küche in deutschland bekannt zu machen ich achte darauf die

so schmeckt israel meine Lieblingsrezepte aus der isra - Feb 28 2023

web abebooks com so schmeckt israel meine Lieblingsrezepte aus der israelischen küche gewürzt mit einer prise heimat 9783038007814 by franz tom and a great selection of

[so schmeckt israel franz tom buch lüthy balmer stocker](#) - Nov 27 2022

web meine Lieblingsrezepte aus der israelischen küche gewürzt mit einer prise heimat buch von franz tom schnelle lieferung kochen

so schmeckt israel franz tom buch b2c - Sep 25 2022

web so schmeckt israel meine Lieblingsrezepte aus der israelischen kuche gewurzt mit einer prise heimat tom franz ria lottermoser fetzer amit farber dan peretz

darum boomt die israelische küche eat smarter - Mar 20 2022

web israelische rezepte orient mittelmeer und jüdische tradition die feine küche israels ist eine raffinierte fusion cuisine die jüdische traditionsgerichte mit mediterranen zutaten

so schmeckt israel meine Lieblingsrezepte aus der israelischen - Jun 03 2023

web finde hilfreiche kundenrezensionen und rezensionsbewertungen für so schmeckt israel meine Lieblingsrezepte aus der israelischen küche gewürzt mit einer prise heimat auf

[amazon de kundenrezensionen so schmeckt israel meine](#) - Apr 01 2023

web so schmeckt israel meine Lieblingsrezepte aus der israelischen küche gewürzt mit einer prise heimat von franz tom isbn

10 3038007811 isbn 13 9783038007814

buch so schmeckt israel von tom franz at verlag - Jul 04 2023

web amazon in buy so schmeckt israel meine Lieblingsrezepte aus der israelischen küche gewürzt mit einer prise heimat book online at best prices in india on amazon in

so schmeckt israel meine Lieblingsrezepte aus der israelischen - Oct 27 2022

web jan 17 2021 wer mehr über israelische küche erfahren will dem lege ich dieses wunderbare und reich bebilderte kochbuch des aus dem rheinland nach israel

so schmeckt israel rezeptsammlung sevencooks - Apr 20 2022

web the book of new israeli food you deserve this vefa s kitchen so schmeckt israel meine Lieblingsrezepte aus der downloaded from store spiralny com by guest mann

so schmeckt israel meine Lieblingsrezepte aus der israelischen - Jul 24 2022

web compre online so schmeckt israel meine Lieblingsrezepte aus der israelischen küche gewürzt mit einer prise heimat de franz tom lottermoser fetzer ria farber amit

so schmeckt israel jewilicious - Aug 25 2022

web die schönsten rezepte aus meiner neuen heimat so schmeckt israel das erste buch des gebürtigen rheinländers tom franz wurde von publikum und presse begeistert

so schmeckt israel meine Lieblingsrezepte aus der israelischen - Sep 06 2023

web so schmeckt israel meine Lieblingsrezepte aus der israelischen küche gewürzt mit einer prise heimat tom franz buch gebundene ausgabe

wir erschaffen ein neues einkaufserlebnis springlane de - Nov 15 2021

so schmeckt israel meine Lieblingsrezepte aus der abebooks - Jan 30 2023

web meine Lieblingsrezepte aus der israelischen küche gewürzt mit einer prise heimat lottermoser fetzer ria verkaufsrank298 länderküchen 978 3 03800 781 4

so schmeckt israel meine Lieblingsrezepte aus der abebooks - Dec 29 2022

web so schmeckt israel meine Lieblingsrezepte aus der israelischen küche gewürzt mit einer prise heimat tom franz amazon fr livres

so schmeckt israel meine Lieblingsrezepte aus der store spiralny - Feb 16 2022

web israel wir haben 76 schmackhafte israel rezepte für dich gefunden finde was du suchst erstklassig brillant jetzt ausprobieren mit chefkoch de

israel rezepte chefkoch - Dec 17 2021

so schmeckt israel von tom franz buch 978 3 03800 781 - Aug 05 2023

web so schmeckt israel meine Lieblingsrezepte aus der israelischen Kueche gewuerzt mit einer Prise Heimat Franz Tom
amazon sg books