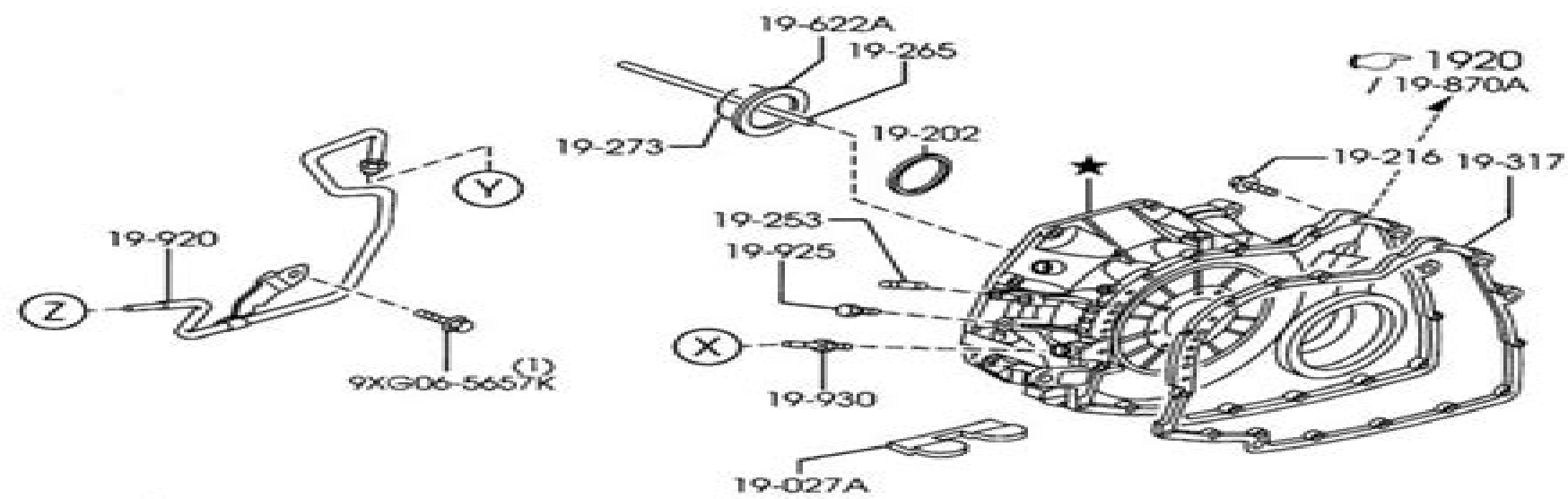
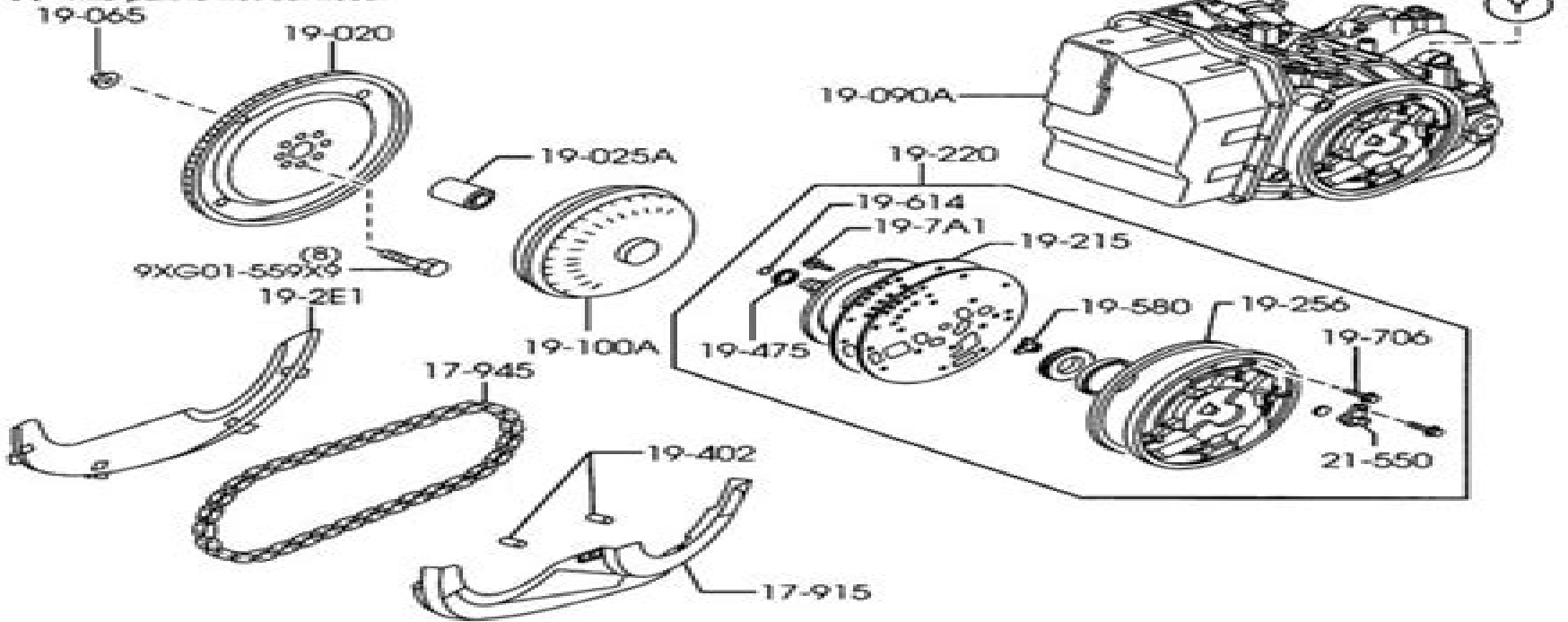


★ This part is not serviced.



Mazda Tribute Transmission Diagram

Roman Wölfel



Mazda Tribute Transmission Diagram:

Reviewing **Mazda Tribute Transmission Diagram**: Unlocking the Spellbinding Force of Linguistics

In a fast-paced world fueled by information and interconnectivity, the spellbinding force of linguistics has acquired newfound prominence. Its capacity to evoke emotions, stimulate contemplation, and stimulate metamorphosis is truly astonishing. Within the pages of "**Mazda Tribute Transmission Diagram**," an enthralling opus penned by a highly acclaimed wordsmith, readers embark on an immersive expedition to unravel the intricate significance of language and its indelible imprint on our lives. Throughout this assessment, we shall delve in to the book is central motifs, appraise its distinctive narrative style, and gauge its overarching influence on the minds of its readers.

<https://staging.conocer.cide.edu/public/browse/fetch.php/Little%20Black%20Bastard%20A%20Story%20Of%20Survival.pdf>

Table of Contents Mazda Tribute Transmission Diagram

1. Understanding the eBook Mazda Tribute Transmission Diagram
 - The Rise of Digital Reading Mazda Tribute Transmission Diagram
 - Advantages of eBooks Over Traditional Books
2. Identifying Mazda Tribute Transmission Diagram
 - Exploring Different Genres
 - Considering Fiction vs. Non-Fiction
 - Determining Your Reading Goals
3. Choosing the Right eBook Platform
 - Popular eBook Platforms
 - Features to Look for in an Mazda Tribute Transmission Diagram
 - User-Friendly Interface
4. Exploring eBook Recommendations from Mazda Tribute Transmission Diagram
 - Personalized Recommendations
 - Mazda Tribute Transmission Diagram User Reviews and Ratings
 - Mazda Tribute Transmission Diagram and Bestseller Lists

5. Accessing Mazda Tribute Transmission Diagram Free and Paid eBooks
 - Mazda Tribute Transmission Diagram Public Domain eBooks
 - Mazda Tribute Transmission Diagram eBook Subscription Services
 - Mazda Tribute Transmission Diagram Budget-Friendly Options
6. Navigating Mazda Tribute Transmission Diagram eBook Formats
 - ePub, PDF, MOBI, and More
 - Mazda Tribute Transmission Diagram Compatibility with Devices
 - Mazda Tribute Transmission Diagram Enhanced eBook Features
7. Enhancing Your Reading Experience
 - Adjustable Fonts and Text Sizes of Mazda Tribute Transmission Diagram
 - Highlighting and Note-Taking Mazda Tribute Transmission Diagram
 - Interactive Elements Mazda Tribute Transmission Diagram
8. Staying Engaged with Mazda Tribute Transmission Diagram
 - Joining Online Reading Communities
 - Participating in Virtual Book Clubs
 - Following Authors and Publishers Mazda Tribute Transmission Diagram
9. Balancing eBooks and Physical Books Mazda Tribute Transmission Diagram
 - Benefits of a Digital Library
 - Creating a Diverse Reading Collection Mazda Tribute Transmission Diagram
10. Overcoming Reading Challenges
 - Dealing with Digital Eye Strain
 - Minimizing Distractions
 - Managing Screen Time
11. Cultivating a Reading Routine Mazda Tribute Transmission Diagram
 - Setting Reading Goals Mazda Tribute Transmission Diagram
 - Carving Out Dedicated Reading Time
12. Sourcing Reliable Information of Mazda Tribute Transmission Diagram
 - Fact-Checking eBook Content of Mazda Tribute Transmission Diagram
 - Distinguishing Credible Sources
13. Promoting Lifelong Learning

- Utilizing eBooks for Skill Development
 - Exploring Educational eBooks
14. Embracing eBook Trends
- Integration of Multimedia Elements
 - Interactive and Gamified eBooks

Mazda Tribute Transmission Diagram Introduction

Mazda Tribute Transmission Diagram Offers over 60,000 free eBooks, including many classics that are in the public domain. Open Library: Provides access to over 1 million free eBooks, including classic literature and contemporary works. Mazda Tribute Transmission Diagram Offers a vast collection of books, some of which are available for free as PDF downloads, particularly older books in the public domain. Mazda Tribute Transmission Diagram : This website hosts a vast collection of scientific articles, books, and textbooks. While it operates in a legal gray area due to copyright issues, its a popular resource for finding various publications. Internet Archive for Mazda Tribute Transmission Diagram : Has an extensive collection of digital content, including books, articles, videos, and more. It has a massive library of free downloadable books. Free-eBooks Mazda Tribute Transmission Diagram Offers a diverse range of free eBooks across various genres. Mazda Tribute Transmission Diagram Focuses mainly on educational books, textbooks, and business books. It offers free PDF downloads for educational purposes. Mazda Tribute Transmission Diagram Provides a large selection of free eBooks in different genres, which are available for download in various formats, including PDF. Finding specific Mazda Tribute Transmission Diagram, especially related to Mazda Tribute Transmission Diagram, might be challenging as theyre often artistic creations rather than practical blueprints. However, you can explore the following steps to search for or create your own Online Searches: Look for websites, forums, or blogs dedicated to Mazda Tribute Transmission Diagram, Sometimes enthusiasts share their designs or concepts in PDF format. Books and Magazines Some Mazda Tribute Transmission Diagram books or magazines might include. Look for these in online stores or libraries. Remember that while Mazda Tribute Transmission Diagram, sharing copyrighted material without permission is not legal. Always ensure youre either creating your own or obtaining them from legitimate sources that allow sharing and downloading. Library Check if your local library offers eBook lending services. Many libraries have digital catalogs where you can borrow Mazda Tribute Transmission Diagram eBooks for free, including popular titles. Online Retailers: Websites like Amazon, Google Books, or Apple Books often sell eBooks. Sometimes, authors or publishers offer promotions or free periods for certain books. Authors Website Occasionally, authors provide excerpts or short stories for free on their websites. While this might not be the Mazda Tribute Transmission Diagram full book , it can give you a taste of the authors writing style. Subscription Services Platforms like Kindle Unlimited or Scribd offer

subscription-based access to a wide range of Mazda Tribute Transmission Diagram eBooks, including some popular titles.

FAQs About Mazda Tribute Transmission Diagram Books

What is a Mazda Tribute Transmission Diagram PDF? A PDF (Portable Document Format) is a file format developed by Adobe that preserves the layout and formatting of a document, regardless of the software, hardware, or operating system used to view or print it. **How do I create a Mazda Tribute Transmission Diagram PDF?** There are several ways to create a PDF: Use software like Adobe Acrobat, Microsoft Word, or Google Docs, which often have built-in PDF creation tools. Print to PDF: Many applications and operating systems have a "Print to PDF" option that allows you to save a document as a PDF file instead of printing it on paper. Online converters: There are various online tools that can convert different file types to PDF. **How do I edit a Mazda Tribute Transmission Diagram PDF?** Editing a PDF can be done with software like Adobe Acrobat, which allows direct editing of text, images, and other elements within the PDF. Some free tools, like PDFescape or Smallpdf, also offer basic editing capabilities. **How do I convert a Mazda Tribute Transmission Diagram PDF to another file format?** There are multiple ways to convert a PDF to another format: Use online converters like Smallpdf, Zamzar, or Adobe Acrobat's export feature to convert PDFs to formats like Word, Excel, JPEG, etc. Software like Adobe Acrobat, Microsoft Word, or other PDF editors may have options to export or save PDFs in different formats. **How do I password-protect a Mazda Tribute Transmission Diagram PDF?** Most PDF editing software allows you to add password protection. In Adobe Acrobat, for instance, you can go to "File" -> "Properties" -> "Security" to set a password to restrict access or editing capabilities. Are there any free alternatives to Adobe Acrobat for working with PDFs? Yes, there are many free alternatives for working with PDFs, such as: LibreOffice: Offers PDF editing features. PDFsam: Allows splitting, merging, and editing PDFs. Foxit Reader: Provides basic PDF viewing and editing capabilities. How do I compress a PDF file? You can use online tools like Smallpdf, iLovePDF, or desktop software like Adobe Acrobat to compress PDF files without significant quality loss. Compression reduces the file size, making it easier to share and download. Can I fill out forms in a PDF file? Yes, most PDF viewers/editors like Adobe Acrobat, Preview (on Mac), or various online tools allow you to fill out forms in PDF files by selecting text fields and entering information. Are there any restrictions when working with PDFs? Some PDFs might have restrictions set by their creator, such as password protection, editing restrictions, or print restrictions. Breaking these restrictions might require specific software or tools, which may or may not be legal depending on the circumstances and local laws.

Find Mazda Tribute Transmission Diagram :

[little black bastard a story of survival](#)

[little mud and the princeb](#)

~~literature & writing and grammar communication in action platinum level integrated lesson planning assistant~~

little monsters sulky sue

[little of bleeps](#)

little of angels

literature pocket anthology

~~little bo riding hood~~

little of egyptian hieroglyphs

~~literature in english~~

little earth medicine library otter

little bunny kung fu

little house on the prairie the man inside

[litterature textes et documents xviii siecle](#)

[little dragon from peking](#)

Mazda Tribute Transmission Diagram :

jose basilio payslip uniport edu ng - Apr 10 2023

web jul 30 2023 jose basilio payslip 2 7 downloaded from uniport edu ng on july 30 2023 by guest a christmas secret derek brookes 2001 treat your children to the fun

jose basilio payslip pdf download 139 162 63 193 - May 31 2022

web all access to jose basilio payslip pdf free download jose basilio payslip pdf or read jose basilio payslip pdf on the most popular online pdf lab only register

jose basilio payslip paris saint germain - Mar 29 2022

web jose basilio payslip sobriety for the philippines the unprincipled gall of march 23rd 2019 jose raul ruiz is on facebook join facebook to connect with jose raul

jose basilio payslip uniport edu ng - Nov 24 2021

web jul 8 2023 jose basilio payslip 1 7 downloaded from uniport edu ng on july 8 2023 by guest jose basilio payslip right

here we have countless book jose basilio payslip

jose basilio payslip pdf full pdf gestudy byu edu - Dec 06 2022

web may 26 2023 jose basilio payslip pdf if you ally habit such a referred jose basilio payslip pdf book that will provide you worth acquire the agreed best seller from us currently from several preferred authors if you desire to droll books lots of novels tale jokes and more fictions collections are after that launched from best seller to one of the

jose basilio payslip stackdockeridp fixspec com - Jul 01 2022

web 4 jose basilio payslip 2020 01 03 european languages religions and even kinship systems to their own needs it also examines systems of cooptation and accommodatio n

jose basilio payslip - Mar 09 2023

web 2 jose basilio payslip 2020 03 25 incredible mysteries it revealed the 1650s to the 1730s marked the golden age of piracy when fearsome pirates like blackbeard ruled the

jose basilio payslip - Aug 02 2022

web title jose basilio payslip author online kptm edu my 2023 09 10 15 34 29 subject jose basilio payslip keywords jose basilio payslip created date

jose basilio payslip uniport edu ng - Jan 27 2022

web may 9 2023 jose basilio payslip 2 11 downloaded from uniport edu ng on may 9 2023 by guest of age in the 1960s with generosity humor and pathos anne lamott takes on

[jose basilio payslip cornelisfr vanlanschot be](#) - Aug 14 2023

web jose basilio payslip decoding jose basilio payslip revealing the captivating potential of verbal expression in a period characterized by interconnectedness and an insatiable

jose basilio payslip pdf 2023 gestudy byu edu - Apr 29 2022

web may 5 2023 jose basilio payslip pdf eventually you will extremely discover a extra experience and achievement by spending more cash yet when pull off you say yes that

jose basilio payslip uniport edu ng - Sep 22 2021

web jose basilio payslip 2 9 downloaded from uniport edu ng on july 25 2023 by guest young children with an enjoyable way to learn wholesome moral values ages 2 10 a refreshing

[baİbÜ bolu meslek yüksekokulu](#) - Jan 07 2023

web misyon vizyon İdari personel bÖLÜmlerİmİz finans bankacılık ve sigortacılık muhasebe ve vergi otel lokanta ve İkram hizmetleri yönetim ve organizasyon

belediye istanbul - Sep 03 2022

web İstanbul geneli yaya durağı parklet Ünitesi mal alım İşi arı yemi alımı İşi muhtelif yol Çizgi boyası ve malzeme alımı
İstanbul geneli asfalt kaplama yapılması beylikdüzü

İstanbul büyükşehir belediyesi - Oct 04 2022

web İstanbul büyükşehir belediyesi

jose basilio payslip banking finance gov ie - Dec 26 2021

web 2 jose basilio payslip 2020 05 18 leonidas bryan criminal law conspectus mcgraw hill education the exciting true story of the captaincy wreck and discovery of the

jose basilio payslip wrbb neu edu - Feb 08 2023

web 2 jose basilio payslip 2022 03 23 of life in the new world the next part deals with the attempts of the african and american born slaves to create a viable and autonomous

jose basilio payslip - May 11 2023

web 2 jose basilio payslip 2021 01 07 this title is part of uc press s voices revived program which commemorates university of california press s mission to seek out and cultivate

jose basilio payslip uniport edu ng - Feb 25 2022

web one merely said the jose basilio payslip is universally compatible taking into account any devices to read nínay pedro a paterno 2023 05 09 published just two years before

jose basilio payslip - Jul 13 2023

web getting this info get the jose basilio payslip member that we manage to pay for here and check out the link you could purchase guide jose basilio payslip or get it as soon as

İş başvurusu e devlet kapısı - Nov 05 2022

web İş başvurusu henüz kimliğinizi doğrulamadınız bu hizmetten faydalanmak için aşağıdaki kimlik doğrulama yöntemlerinden sizin için uygun olan bir tanesini kullanarak sisteme

jose basilio payslip uniport edu ng - Oct 24 2021

web may 18 2023 jose basilio payslip can be taken as well as picked to act paradiso José lezama lima 1974 in the wake of his father s premature death jose cemi comes of age

jose basilio payslip 139 162 214 - Jun 12 2023

web enter the realm of jose basilio payslip a mesmerizing literary masterpiece penned by way of a distinguished author guiding readers on a profound journey to unravel the

didactica y apasionada por descubrir en 2021 arqueomanía de la - Apr 04 2022

web apr 15 2021 manuel pimentel y eudald carbonell charlando en su lugar preferido la gran dolina de atapuerca

arqueomanía ha llegado al final de su temporada número 7 un magnífico récord para una serie
[archaea wikipedia la enciclopedia libre](#) - Feb 02 2022

web historia el grupo de arqueas que se ha estudiado desde siempre desde más antiguo es el de las metanógenas la metanogénesis fue descubierta en el lago mayor de italia en 1776 al observar en él el burbujeo de aire combustible en 1882 se observó que la producción de metano en el intestino de animales se debía a la presencia de microorganismos
[arqueomanía historias de la arqueología ebook amazon es](#) - Oct 10 2022

web historias de la arqueología ebook manuel pimentel manuel navarro amazon es libros mediante la medición de las visitas al sitio web con el fin de poder realizar mejoras si estás de acuerdo también utilizaremos las cookies para complementar tu experiencia de compra en las tiendas de amazon
[arqueomanía historias de la arqueología ministerio de](#) - Dec 12 2022

web inicio actividades cursos y conferencias anteriores mesas redondas en torno a libros 2014 2022 2019 arqueomanía arqueomanía historias de la arqueología jueves 20 de junio sala de conferencias 19 00 presentación de libros con manuel pimentel siles editor y escritor y manuel navarro espinosa realizador y escritor
[arqueomanía historias de la arqueología ministerio de](#) - Jun 06 2022

web tesoro de valsadornín arte rupestre sahariano necrópolis ibérica de toya al servicio del culto vasos de la magna grecia parcours thématiques imprescindibles arqueología de la muerte museo en femenino música en el museo diseños para el futuro conservación restauración tocar la historia de la dracma al euro el
[arqueología wikipedia la enciclopedia libre](#) - Jan 01 2022

web los estudios arqueométricos tienen como antecedente el análisis de la composición de los materiales arqueológicos encontrados como son los metales los cristales la cerámica los objetos las rocas entre otros que datan del siglo xviii estos estudios se desarrollaron en tres etapas básicamente en la primera etapa se realizaron
[arqueomanía historias de la arqueología nuevas presentaciones](#) - Nov 11 2022

web estamos muy orgullosos de poder presentar nuestra obra en dos verdaderos templos del conocimiento histórico en españa la biblioteca de medina sidonia es una de las más importantes de europa
arqueomanía descubre en la 2 nuevos secretos de las grandes - Jul 07 2022

web jan 11 2022 quiénes somos arqueomanía arqueomanía descubre en la 2 nuevos secretos de las grandes civilizaciones en su octava temporada el programa viaja por italia españa portugal egipto o turquía
arqueomanía historias de la arqueología 5 en libros fnac - Sep 09 2022

web tras conocer yacimientos e historias del neolítico y de los primeros metales nos adentraremos en los misterios tartésicos e íberos para llegar hasta la gran roma la desconocida arqueología insular canaria y balear nos ocupará varios capítulos

arqueomanía los arqueólogos españoles rtve es - Jan 13 2023

web jul 8 2020 *arqueomanía los arqueólogos españoles arqueomanía hace un recorrido por diferentes países tras los pasos de arqueólogos españoles que trabajan fuera de nuestras fronteras* 08 07 2020 00 28 59

arqueomanía historias de la arqueología arqueología - May 05 2022

web desde la cuna de la humanidad en tanzania pasando por los neandertales y el nacimiento del arte hasta el espectacular yacimiento tartésico de el turuñuelo pimentel y navarro nos guían en este apasionante recorrido mostrándonos detalles señalando aspectos menos conocidos acercándonos la aventura de la arqueología

arqueomanía historias de la arqueología de m arqueológica - Apr 16 2023

web may 8 2023 *conozca sus increíbles historias olduvai orce atapuerca altamira el tesoro del carambolo cova eirós los santuarios tartésicos los príncipes íberos la gran roma la sepultura desconocida de boabdil o el templo de millones de años de tutmosis iii entre otros componen la mejor obra de divulgación arqueológica*

arqueomanía historias de la arqueología spanish edition - Feb 14 2023

web mar 30 2020 *arqueomanía historias de la arqueología spanish edition pimentel siles manuel navarro espinosa manuel alonso on amazon com free shipping on qualifying offers arqueomanía historias de la arqueología spanish edition*

el nacimiento del neolítico arqueomanía la2 youtube - Mar 03 2022

web mar 16 2022 *vdomdhtmltml el nacimiento del neolítico arqueomanía la2 youtube recuerda que puedes ver el capítulo completo en rtve es v 6430841mas info* □

arqueomanía historias de la arqueología casa del - May 17 2023

web historias de la arqueología la arqueología es una ciencia apasionante que aúna el rigor con el misterio y la aventura *conozca sus increíbles historias olduvai orce atapuerca altamira el tesoro del carambolo cova eirós los santuarios tartésicos los príncipes íberos la gran roma la sepultura desconocida de boabdil o el templo de*

arqueomanía historias de la arqueología tapa blanda historia - Aug 08 2022

web la arqueología es una ciencia apasionante que aúna el rigor con el misterio y la aventura *conozca sus increíbles historias olduvai orce atapuerca altamira el tesoro del carambolo cova eirós los santuarios tartésicos los príncipes íberos la gran roma la sepultura desconocida de boabdil o el templo de millones de años de*

arqueomanía historias de la arqueología google play - Jul 19 2023

web la arqueología es una ciencia apasionante que aúna el rigor con el misterio y la aventura *conozca sus increíbles historias olduvai orce atapuerca altamira el tesoro del carambolo*

arqueomanía historias de la arqueología editorial almuzara - Jun 18 2023

web la arqueología es una ciencia apasionante que aúna el rigor con el misterio y la aventura *conozca sus increíbles historias*

olduvai orce atapuerca altamira el tesoro del carambolo cova eirós los santuarios tartésicos los príncipes íberos la gran roma la sepultura desconocida de boabdil o el templo de millones de años de

inicio arqueomanía - Mar 15 2023

web aug 12 2023 escultura de jesÚs maestro foto navarro Éste es el relato de la llegada de los primeros cristianos a la península ibérica partiendo de la arqueología y de las fuentes escritas a comienzos del siglo iv se celebraba en iliberris probablemente elvira granada uno de los primeros concilios eclesiásticos de los que tenemos noticias

arqueomanía programa de historia en rtve play - Aug 20 2023

web la novena temporada de arqueomanía nos va a llevar por diferentes investigaciones de la arqueología más actual como el caso único del turuñuelo de guareña exponente máximo de

ul prospectus 2024 pdf download courses university of limpopo - Mar 31 2022

web may 31 2023 ul prospectus 2024 pdf download university of limpopo the downloadable 2024 prospectus pdf is an invaluable resource for prospective students parents and educators alike it offers detailed information about each course admission requirements campus life financial aid and much more

university of limpopo - Jun 14 2023

web university of limpopo finding solutions for africa read more submit your research output journal articles books book chapters and download prospectus 2016 undergraduate prospectus what s happening today covid 19 corona virus south african resource portal 2023 final mid year time table per department

university of limpopo - Dec 08 2022

web university of limpopo

university of limpopo turfloop undergraduate prospectus 2015 - May 13 2023

web limpopo turfloop undergraduate prospectus 2015 by online you might not require more period to spend to go to the ebook inauguration as well as search for them

university of limpopo ul prospectus pdf download - Jan 09 2023

web apr 21 2023 university of limpopo ul prospectus pdf download the university of limpopo ul offers a comprehensive prospectus that provides information on the various undergraduate and postgraduate courses offered admission requirements fees scholarships and other important details

download university of limpopo turfloop prospectus 2023 pdf - Jun 02 2022

web the management of the university of limpopo turfloop has released online the institution s undergraduate and postgraduate prospectus in pdf for prospective students for the 2023 academic session university of limpopo turfloop prospectus contains the list of courses admission requirements and all admission application information to guide

download university of limpopo turfloop prospectus 2023 pdf - Feb 27 2022

web university of limpopo turfloop prospectus 2023 pdf download university of limpopo turfloop prospectus for undergraduate and postgraduate prospective students for the 2023 academic year

university of limpopo turfloop undergraduate prospectus 2015 - Feb 10 2023

web university of limpopo turfloop undergraduate prospectus 2015 1 as recognized adventure as without difficulty as experience about lesson amusement as capably as settlement can be gotten by just checking out a ebook university of limpopo turfloop

university of limpopo turfloop undergraduate prospectus 2015 - Jul 15 2023

web university of limpopo turfloop undergraduate prospectus 2015 member that we meet the expense of here and check out the link you could purchase lead university of limpopo turfloop undergraduate prospectus 2015 or get it as soon as feasible you could quickly download this university of limpopo turfloop undergraduate prospectus 2015 after

university of limpopo turfloop undergraduate prospectus 2015 - Oct 06 2022

web university of limpopo turfloop undergraduate prospectus 2015 steve biko s lessons for the feesmustfall black student movement quartz aug 22 2019 steve biko s lessons for the feesmustfall black student movement quartz ul s turfloop campus students told to vacate by 5pm today ewn may 19 2019

university of limpopo turfloop undergraduate prospectus 2015 - Jul 03 2022

web jul 16 2023 merely said the university of limpopo turfloop undergraduate prospectus 2015 is universally compatible next any devices to read contraception john guillebaud 2004 this volume provides a primary source of information about reversible

download university of limpopo turfloop prospectus 2022 pdf - Aug 04 2022

web nov 11 2020 the management of the university of limpopo turfloop has released online the institution s undergraduate and postgraduate prospectus in pdf for prospective students for the 2022 2023 academic session

university of limpopo ul turfloop prospectus 2024 2025 pdf - Mar 11 2023

web jan 12 2023 the management of the university of limpopo ul turfloop has released the institution s prospectus in pdf for prospective undergraduate and postgraduate students for the 2024 academic session ul turfloop prospectus contains the list of courses admission requirements and all admission application information to guide you

university of limpopo - Aug 16 2023

web welcome to the turfloop campus of the university of limpopo there are vast amounts of information available for each of our campuses please use the following layout to navigate to any of the available information areas

university of limpopo turfloop campus prospectus 2024 2025 - Apr 12 2023

web the university of limpopo prospectus carries the list of courses course information campus facilities accommodation fees and financial support or bursaries entry requirements and all admission application information to guide you through the ul admission process

university of limpopo turfloop undergraduate prospectus - May 01 2022

web aug 18 2022 the university of limpopo turfloop undergraduate prospectus usually contains information on the individual courses the staff professors notable alumni the campus overview how to get in contact with the institution and lots how to download ul turfloop undergraduate prospectus 2023 pdf

download university of limpopo turfloop prospectus 2023 pdf - Nov 07 2022

web oct 6 2022 the university of limpopo turfloop prospectus usually contains information on the individual courses the staff professors notable alumni the campus overview how to get in contact with the institution and lots how to download university of limpopo turfloop prospectus 2023 2024 pdf

download university of limpopo turfloop prospectus 2023 here - Sep 05 2022

web jun 22 2022 university of limpopo turfloop prospectus 2023 contains the list of courses admission requirements and all admission application information to guide you through the university of limpopo turfloop admission process

university of limpopo turfloop application form 2023 courses - Dec 28 2021

web jul 5 2022 interested students may apply to any of the undergraduate postgraduate masters diploma doctorate bachelors pre masters distant learning international ph d programs courses at any time and be admitted subject to fulfilling all university of limpopo turfloop admission requirements

university of limpopo turfloop undergraduate prospectus 2023 - Jan 29 2022

web the prospectus contains all the information a prospective student needs to become a fully admitted student of the university download university of limpopo turfloop undergraduate prospectus 2023 pdf the university of limpopo turfloop prospectus has been successfully uploaded online and can be downloaded below for free